



US00D452739B1

(12) **United States Design Patent**
Reina

(10) **Patent No.:** **US D452,739 S**

(45) **Date of Patent:** **** Jan. 1, 2002**

(54) **HAND/WRIST SPLINT**

D411,355 S * 6/1999 Roper D24/190

(75) Inventor: **Debra A. Reina**, Menomonee Falls, WI (US)

* cited by examiner

(73) Assignee: **Smith & Nephew, Inc.**, Memphis, TN (US)

Primary Examiner—Louis S. Zarfes

Assistant Examiner—Gregory Andoll

(74) *Attorney, Agent, or Firm*—Fulbright & Jaworski L.L.P.

(**) Term: **14 Years**

(57) **CLAIM**

The ornamental design for a hand/wrist splint, as shown.

(21) Appl. No.: **29/080,908**

DESCRIPTION

(22) Filed: **Dec. 19, 1997**

(51) **LOC (7) Cl.** **24-04**

(52) **U.S. Cl.** **D24/190**

(58) **Field of Search** D24/190-192;
602/5, 6, 21; 128/878, 879

FIG. 1 is a perspective outside view of the hand/wrist splint;

FIG. 2 is an inside plan view of the hand/wrist splint;

FIG. 3 is an outside plan view of the hand/wrist splint;

FIG. 4 is a bottom edge plan view of the hand/wrist splint;

FIG. 5 is a plan view of a first side of the hand/wrist splint;

FIG. 6 is a plan view of a second side of the hand/wrist splint;

FIG. 7 is a top edge plan view of the hand/wrist splint; and,

FIG. 8 is perspective view of the hand/wrist splint in use.

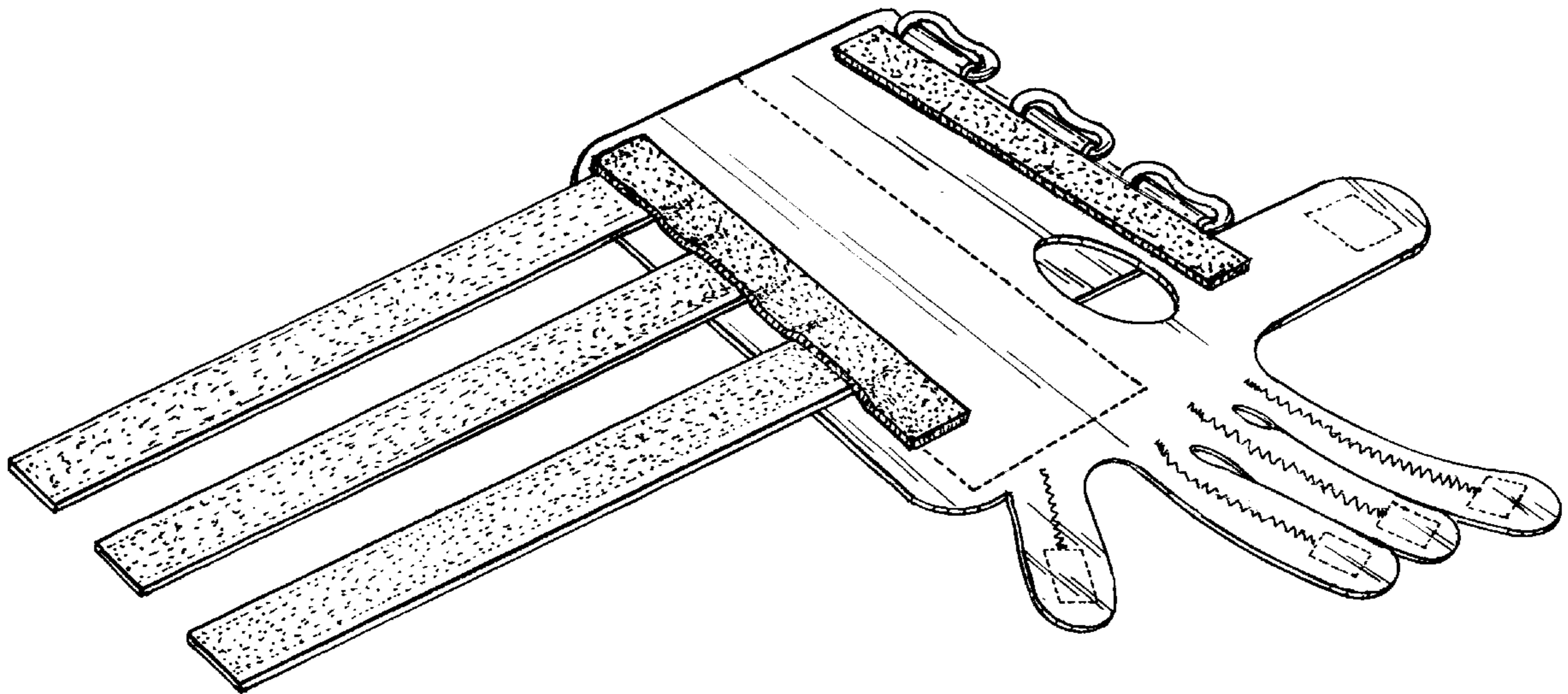
The broken lines in FIG. 8 is for illustrative purposes only and forms no part of the claimed design.

(56) **References Cited**

U.S. PATENT DOCUMENTS

- 4,854,609 A * 8/1989 Elsey 602/21
- D357,745 S * 4/1995 Radwell D24/190
- 5,498,234 A * 3/1996 Martel et al. 602/21
- 5,560,375 A * 10/1996 Kabanek 128/879
- 5,728,059 A * 3/1998 Weismann et al. 602/21

1 Claim, 5 Drawing Sheets



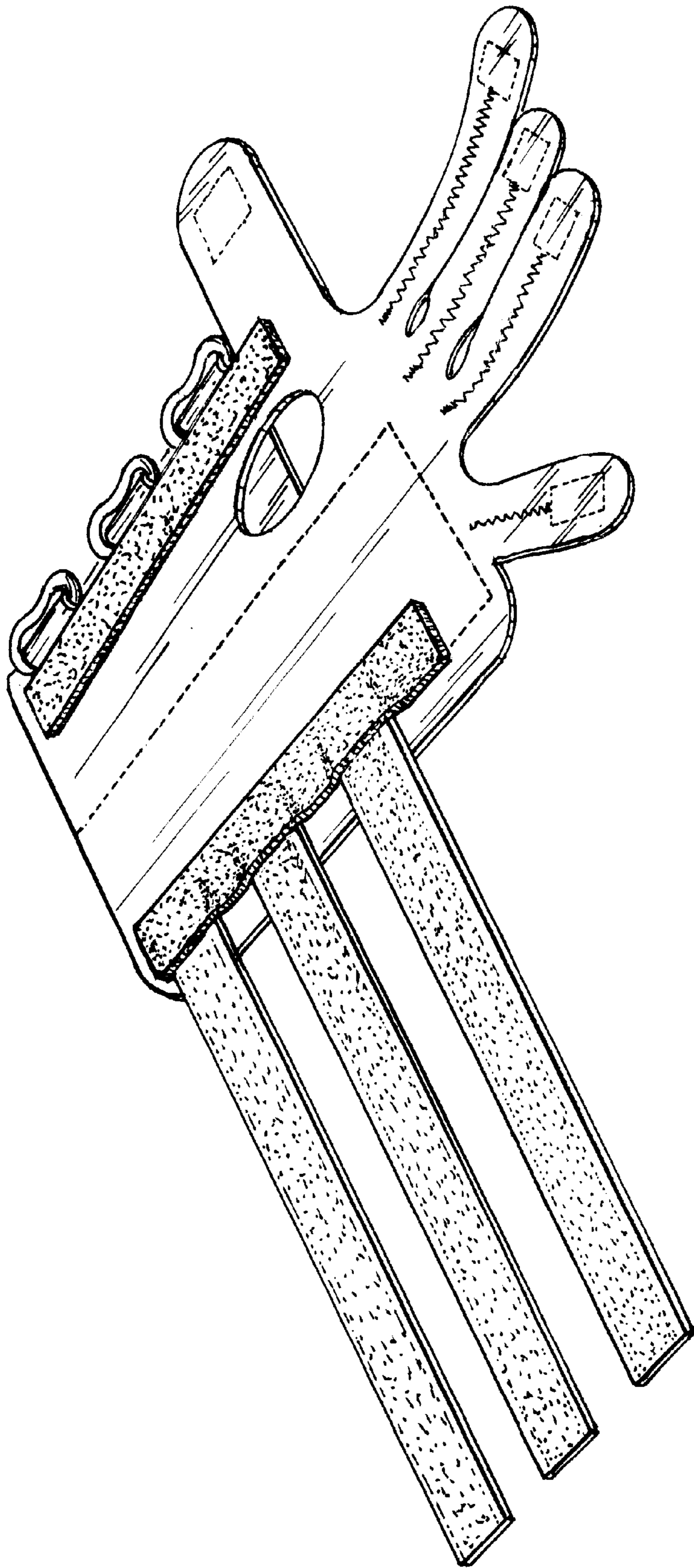


FIG. 1

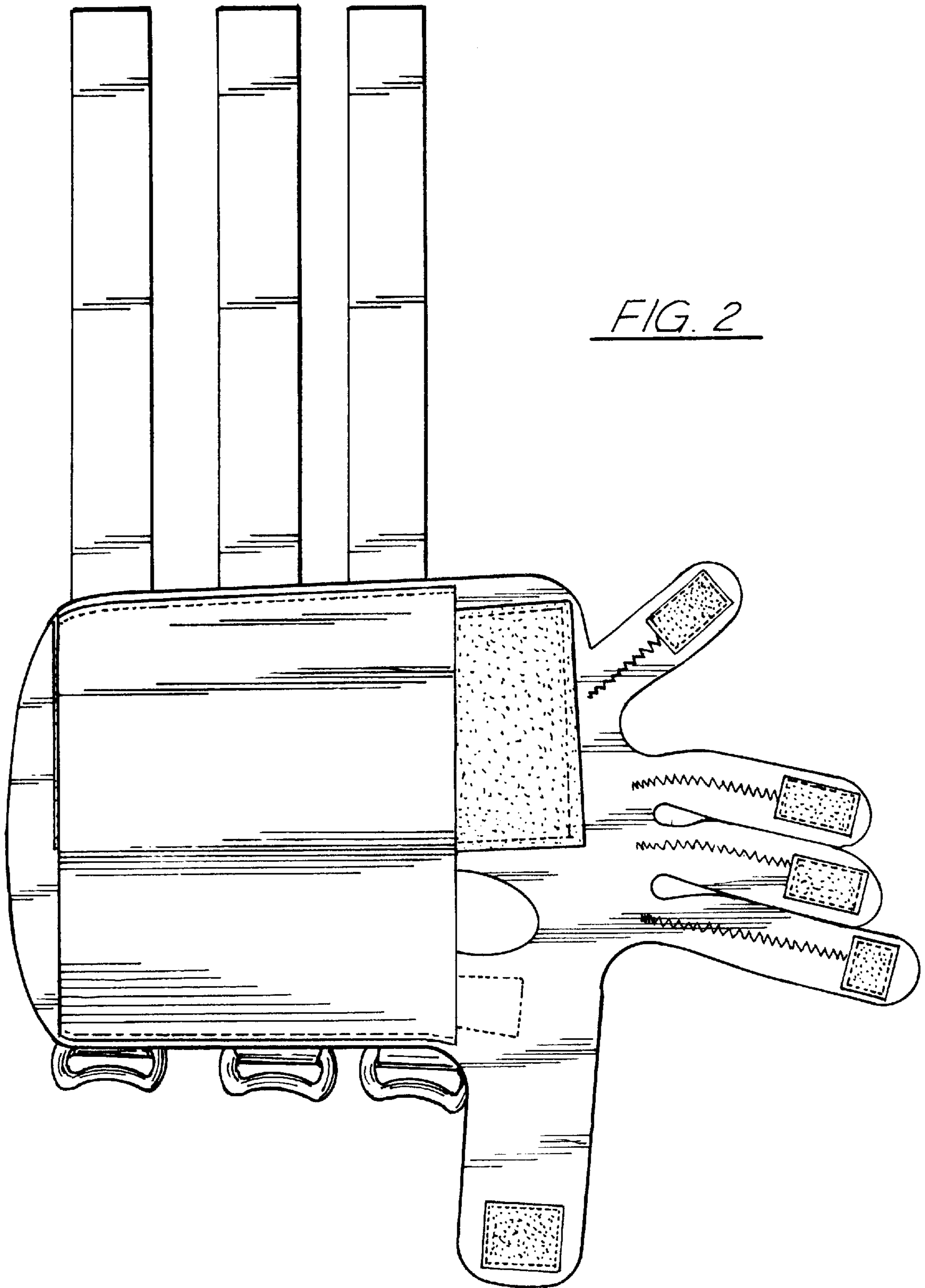


FIG. 3

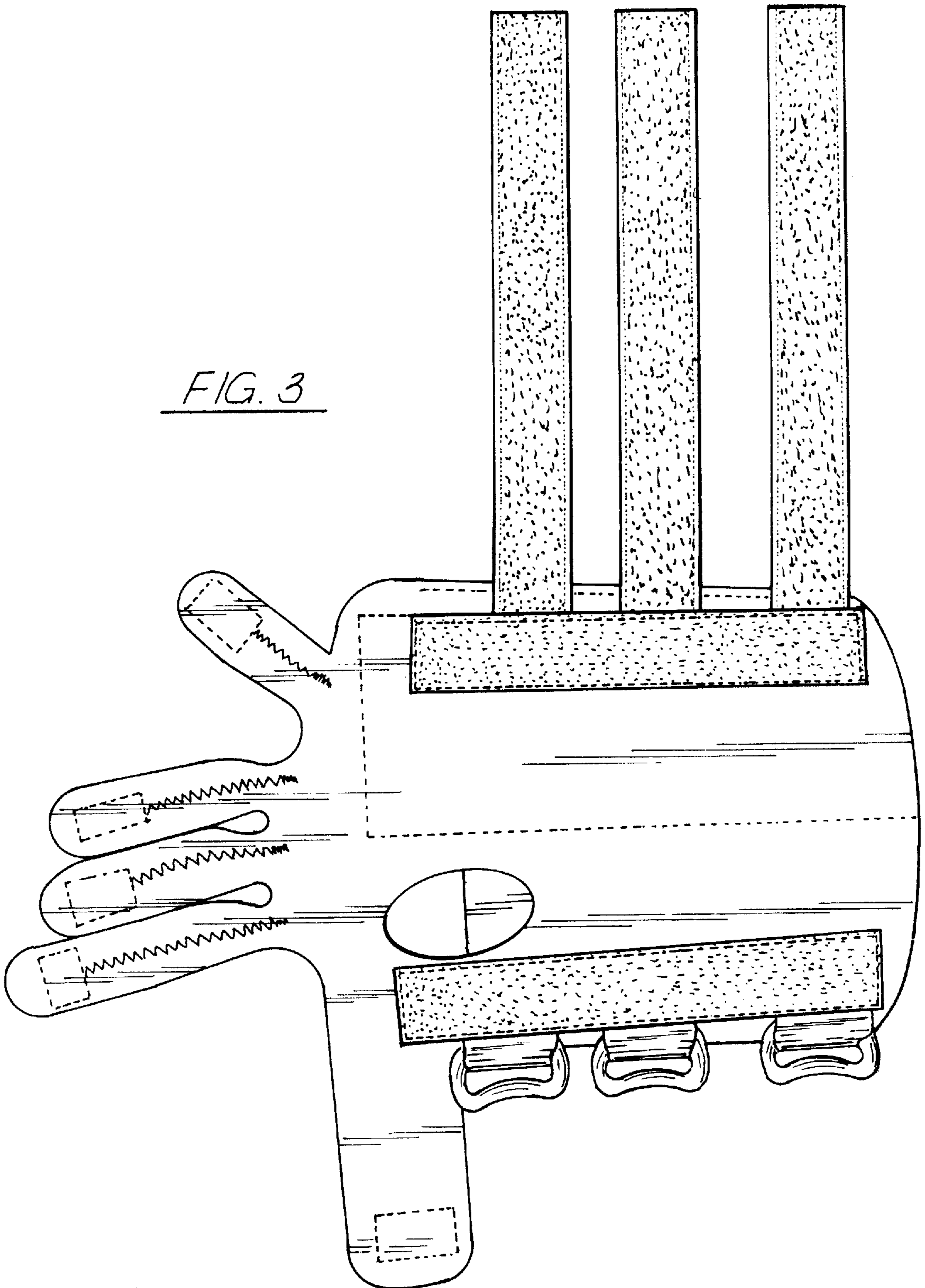




FIG. 4



FIG. 5

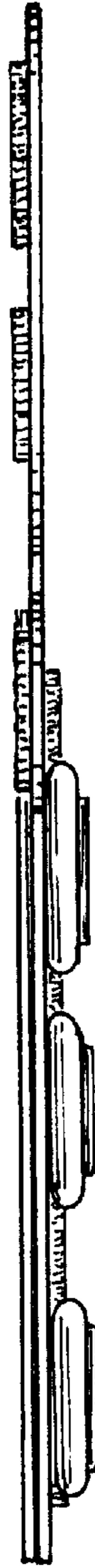


FIG. 6



FIG. 7

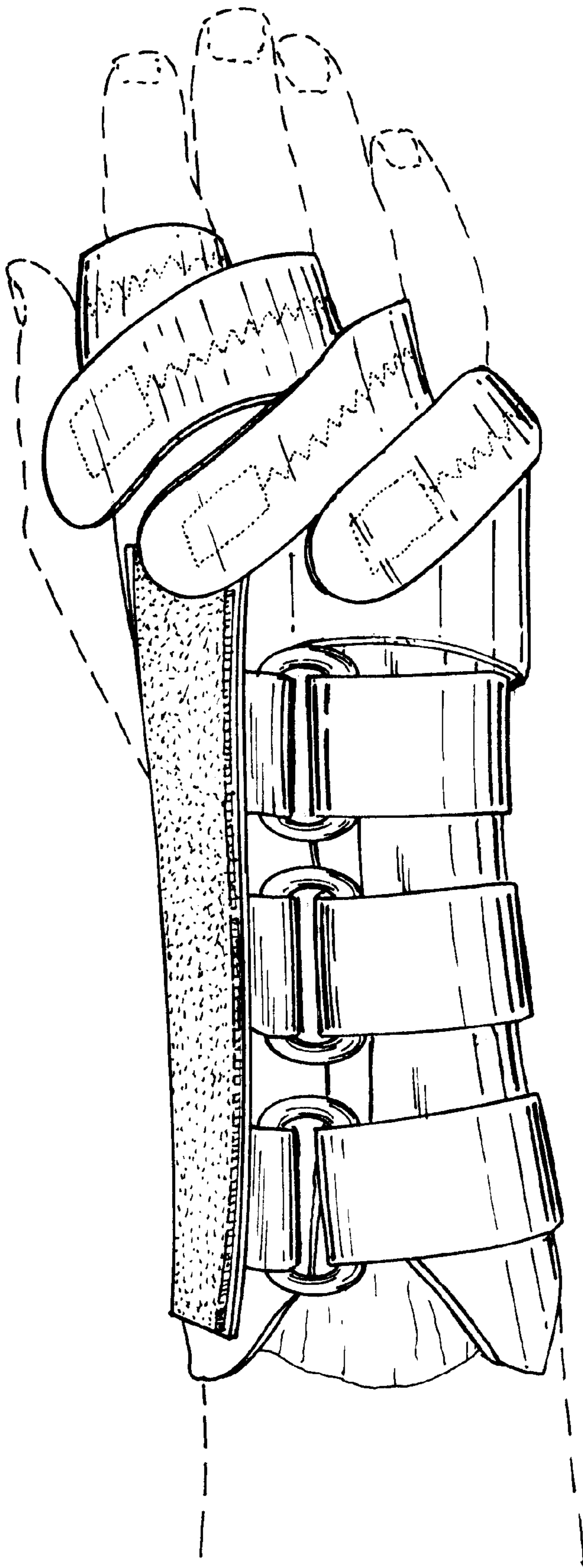


FIG. 8