



US00D452737B1

(12) **United States Design Patent**
Nolan, Jr. et al.

(10) **Patent No.:** **US D452,737 S**
(45) **Date of Patent:** **** Jan. 1, 2002**

(54) **MEDICAL INJECTOR**

(75) Inventors: **William J. Nolan, Jr.**, Indianola;
James A. Dedig, Pittsburgh; **Robert J. Ashcraft, Jr.**, Butler; **Francis J. Sciulli, Jr.**, Crafton; **Karen M. Zelenski**, Seven Fields, all of PA (US)

(73) Assignee: **Medrad, Inc.**, Indianola, PA (US)

(**) Term: **14 Years**

(21) Appl. No.: **29/112,300**

(22) Filed: **Oct. 13, 1999**

(51) **LOC (7) Cl.** **24-01**

(52) **U.S. Cl.** **D24/160**

(58) **Field of Search** D24/160, 158;
128/662.01, 654, 655, 747, DIG. 1; 604/49,
67, 154, 152, 236, 247

(56) **References Cited**

U.S. PATENT DOCUMENTS

4,677,980 A 7/1987 Reilly et al.
5,249,579 A * 10/1993 Hobbs et al. 128/662.02
5,279,569 A * 1/1994 Liebel-Flarsheim 604/154

5,300,031 A 4/1994 Neer et al.
5,383,858 A 1/1995 Reilly et al.
5,573,515 A * 11/1996 Wilson et al. 604/236
D391,638 S 3/1998 Coons et al.
D392,388 S * 3/1998 Coons et al. D24/160

* cited by examiner

Primary Examiner—Stella Reid

(74) *Attorney, Agent, or Firm*—Gregory L. Bradley

(57) **CLAIM**

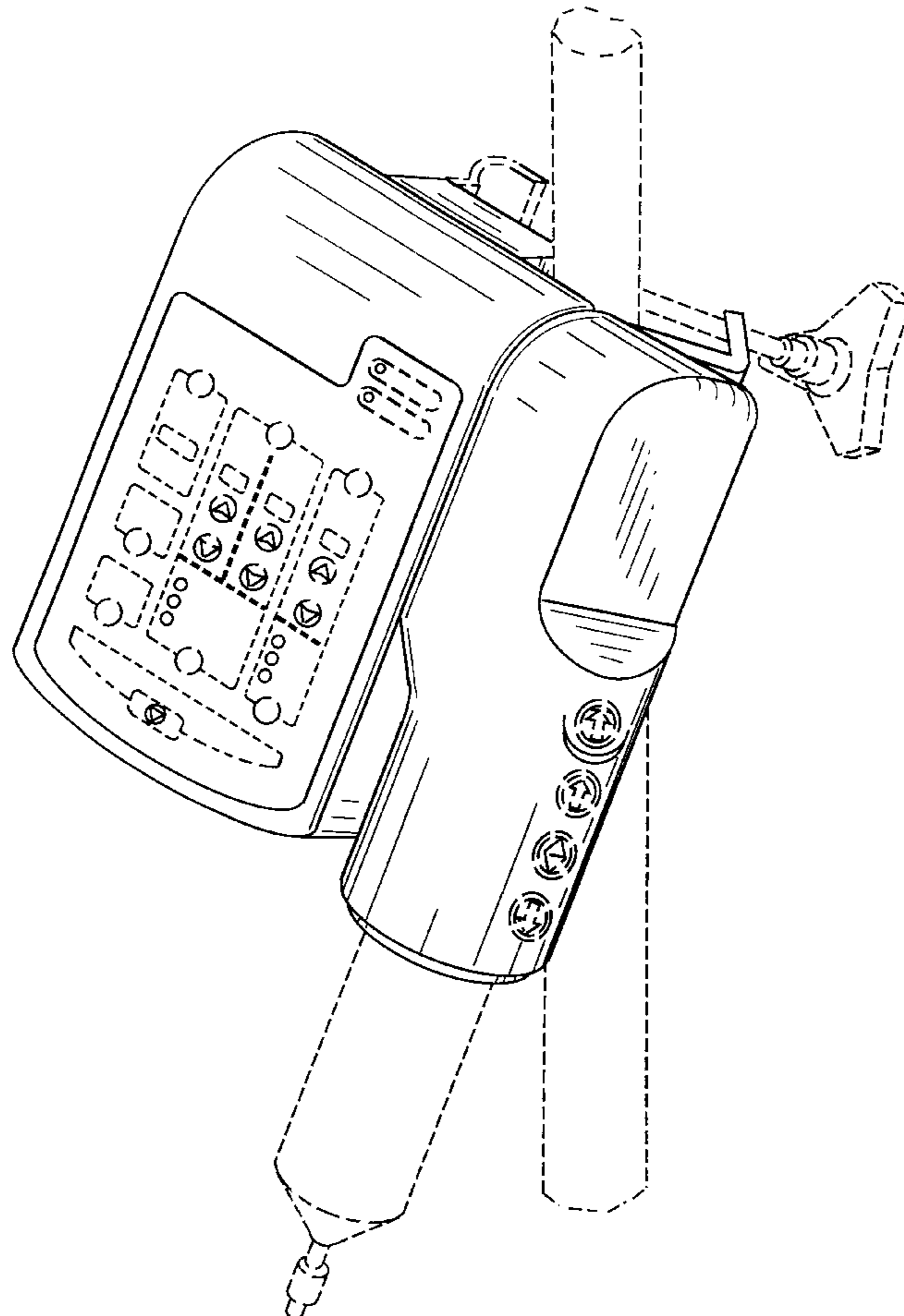
The ornamental design for a medical injector, substantially as shown and described.

DESCRIPTION

FIG. 1 is a right perspective view of a medical injector; FIG. 2 is a front elevational view thereof; FIG. 3 is a rear elevational view thereof; FIG. 4 is a top plan view thereof; FIG. 5 is a bottom plan view thereof; FIG. 6 is a left side view thereof; and, FIG. 7 is a right side view thereof.

The broken lines shown in FIGS. 1–7 are for illustrative purposes only and form no part of the claimed design.

1 Claim, 7 Drawing Sheets



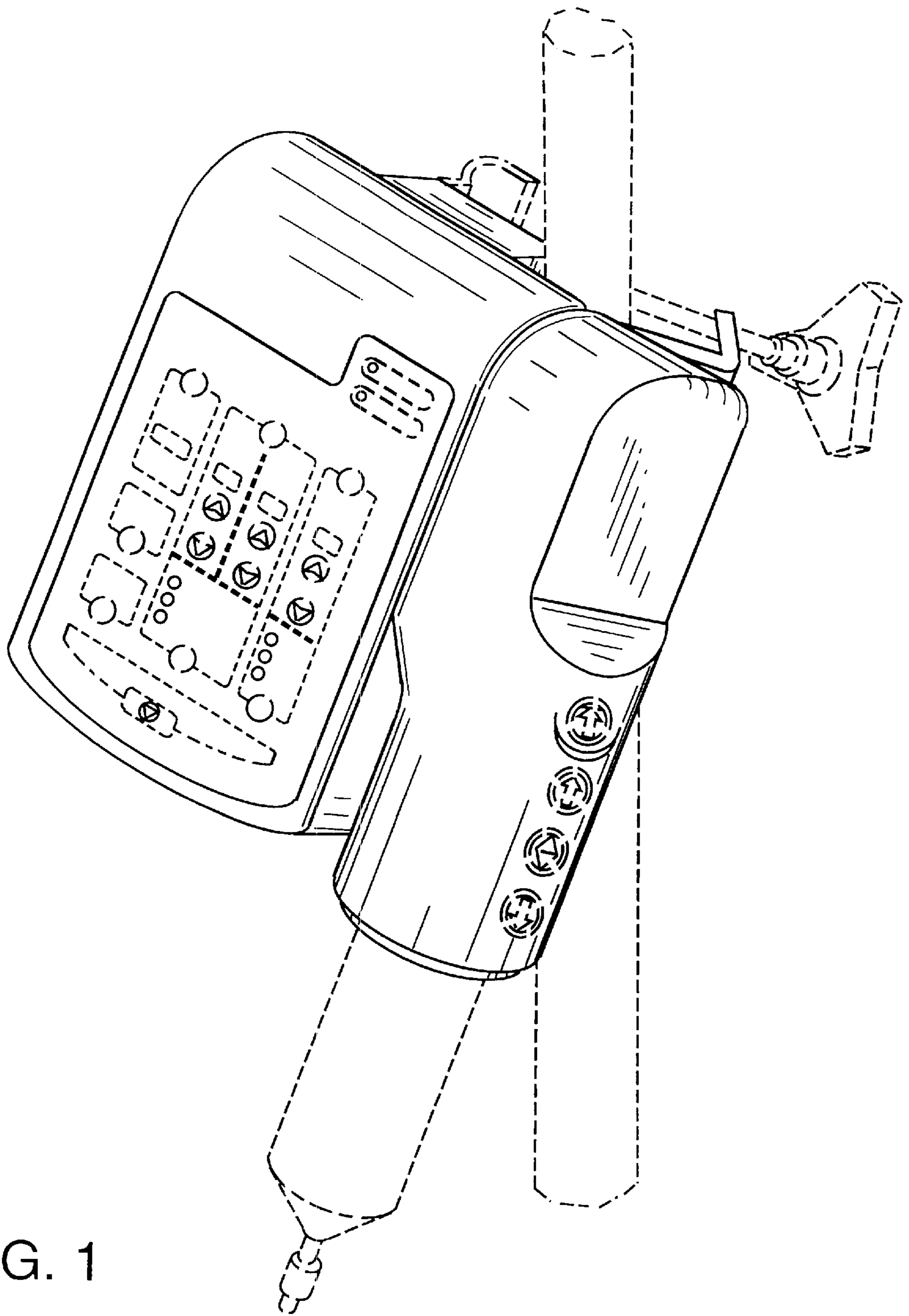


FIG. 1

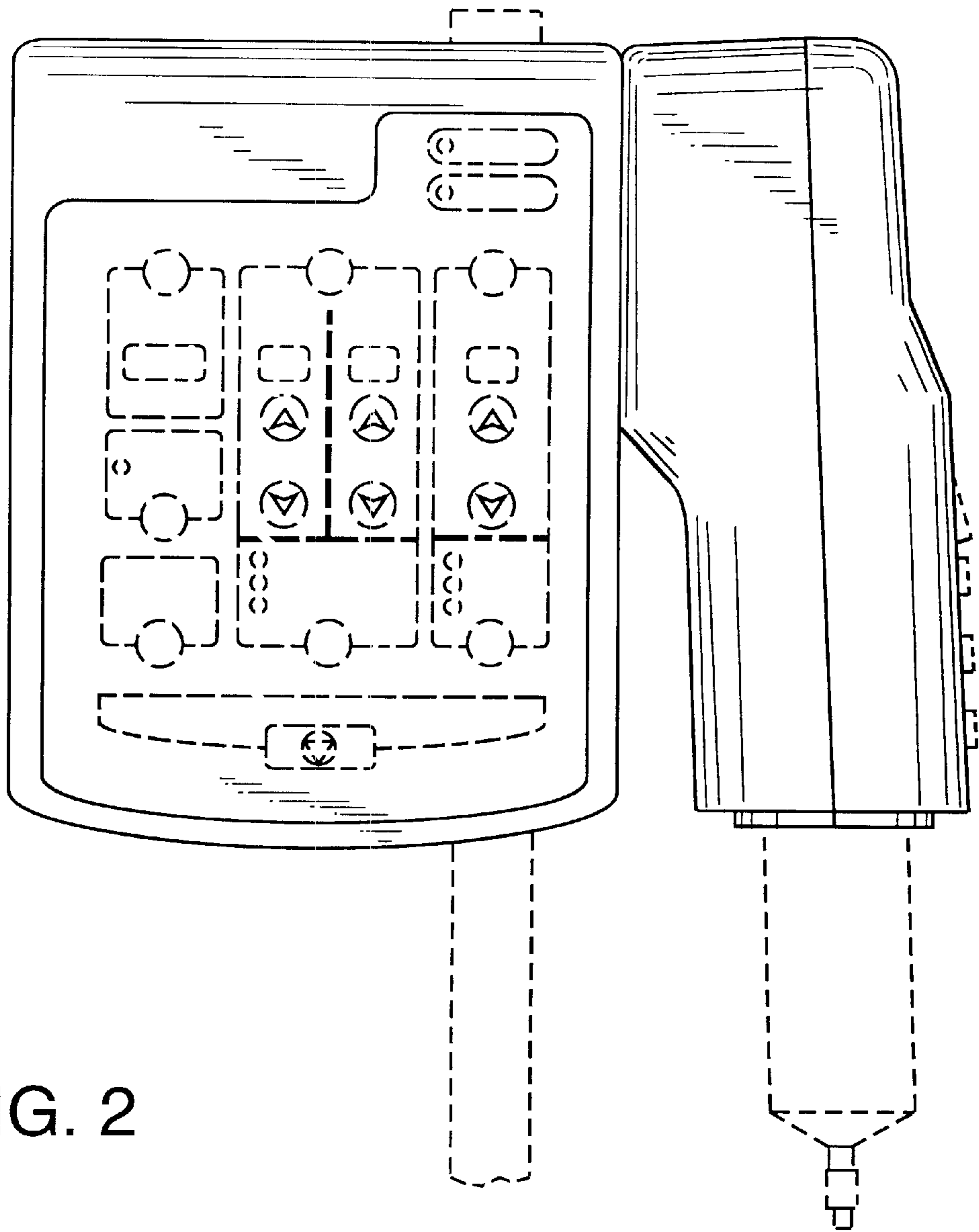


FIG. 2

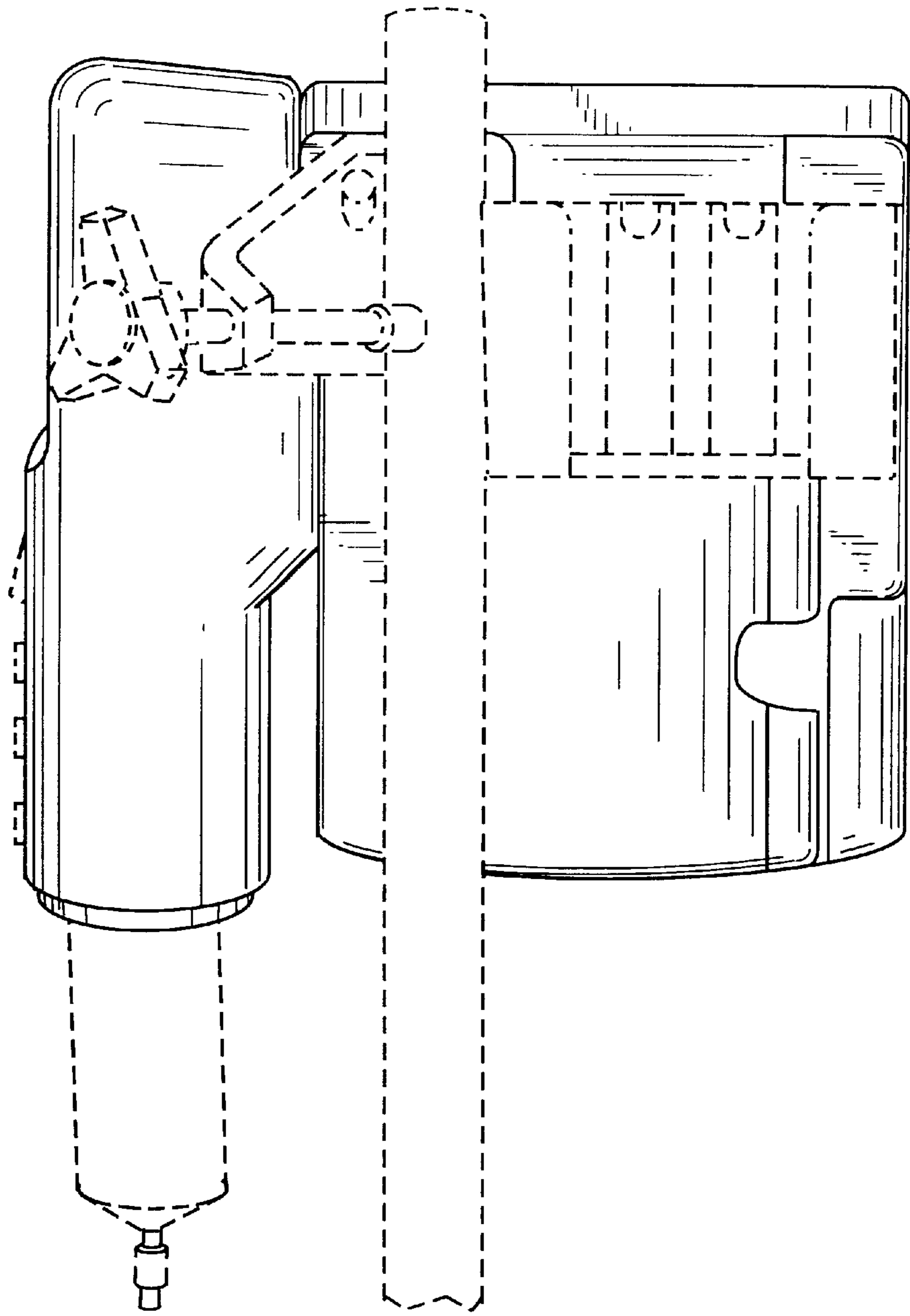


FIG. 3

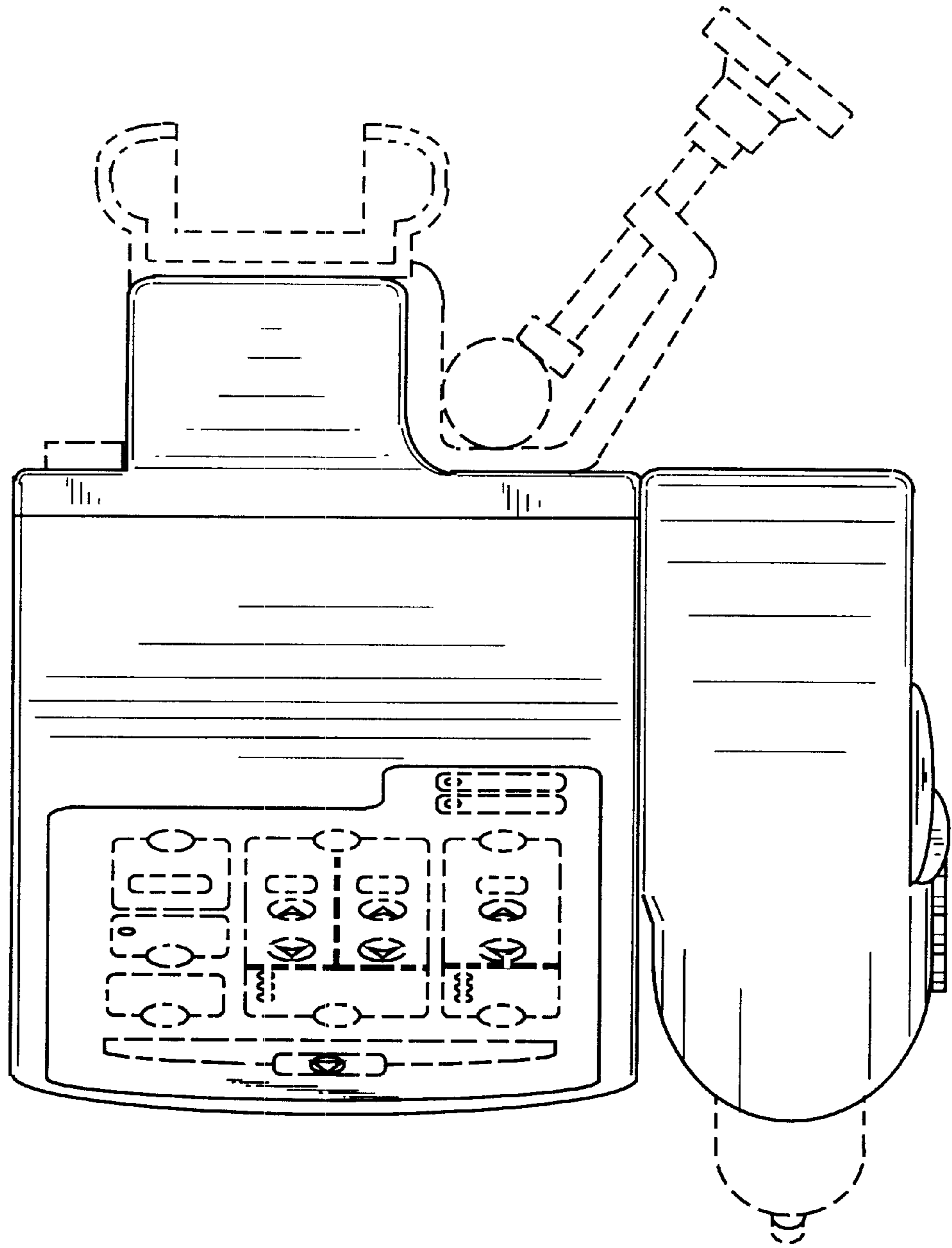


FIG. 4

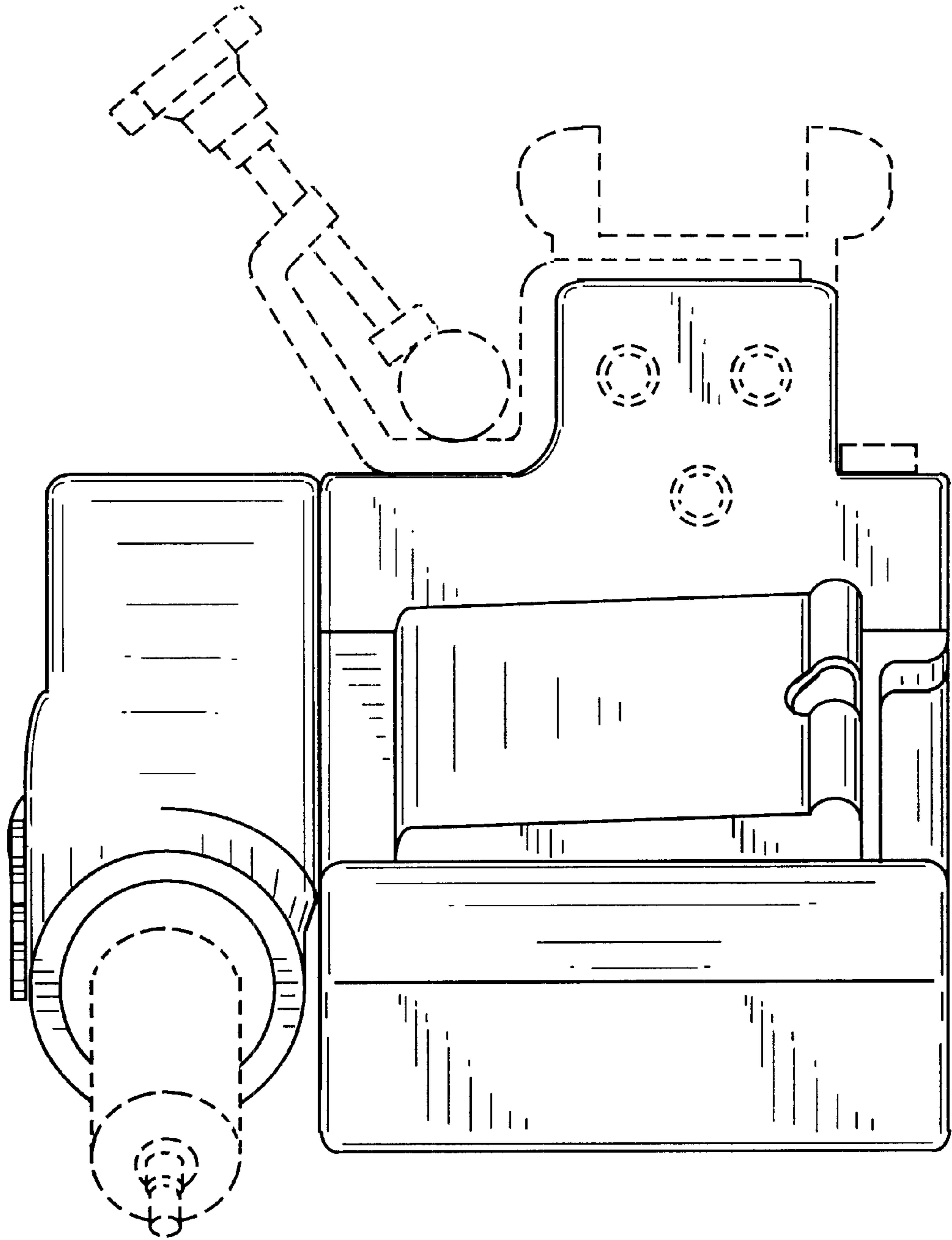


FIG. 5

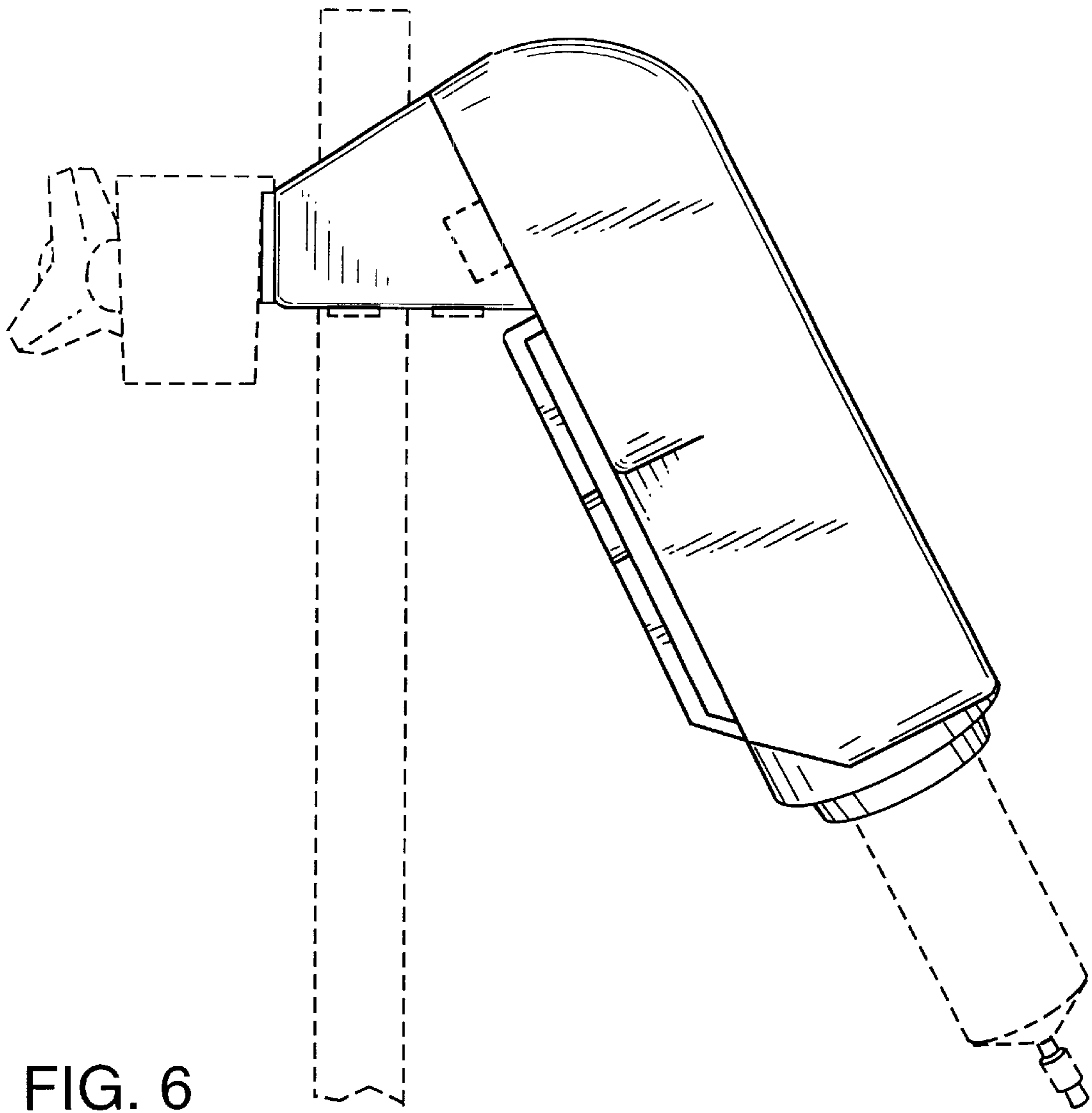


FIG. 6

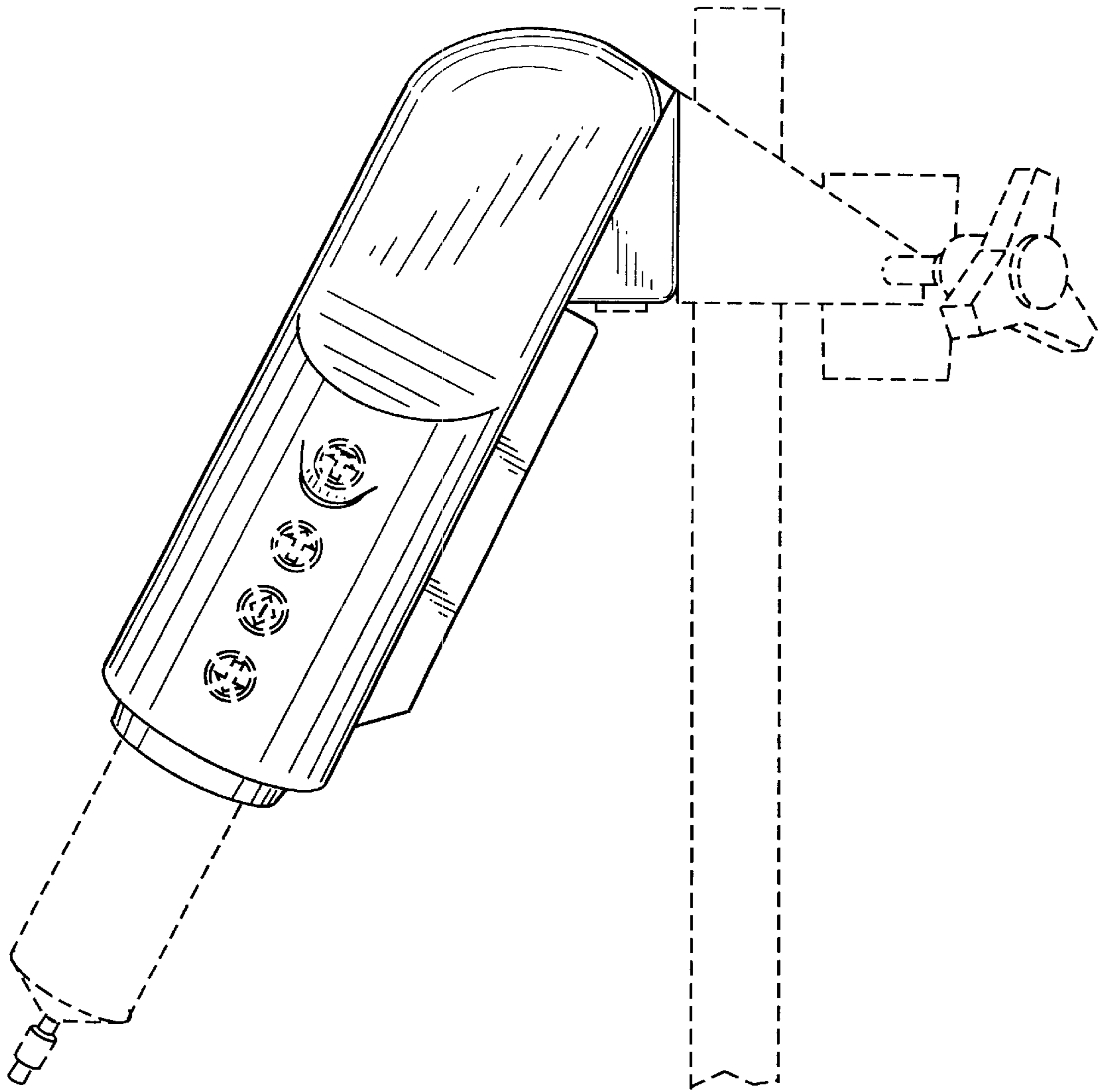


FIG. 7