



US00D452736B1

(12) **United States Design Patent**  
**Werblud**

(10) **Patent No.:** **US D452,736 S**

(45) **Date of Patent:** **\*\* Jan. 1, 2002**

(54) **STETHOSCOPE CHEST PIECE**

(76) **Inventor:** **Marc S. Werblud**, 5701 S. Upland Dr.,  
Seattle, WA (US) 98118

(\*\*) **Term:** **14 Years**

(21) **Appl. No.:** **29/136,302**

(22) **Filed:** **Jan. 30, 2001**

(51) **LOC (7) Cl.** ..... **24-02**

(52) **U.S. Cl.** ..... **D24/134**

(58) **Field of Search** ..... D24/134; 181/129,  
181/131, 132, 135, 137

(56) **References Cited**

**U.S. PATENT DOCUMENTS**

D205,171 S	*	6/1966	Littmann	.....	D24/134
4,212,368 A	*	7/1980	Allen	.....	181/131
D256,951 S	*	9/1980	Allen	.....	D24/134
D277,890 S	*	3/1985	Loughridge et al.	.....	D24/134
D323,394 S	*	1/1992	Casto et al.	.....	D24/134
D373,824 S	*	9/1996	Packard et al.	.....	D24/134
D389,575 S	*	1/1998	Grasfield et al.	.....	D24/134
5,796,053 A	*	8/1998	Shieh	.....	181/131

\* cited by examiner

*Primary Examiner*—Stella Reid

(74) *Attorney, Agent, or Firm*—Robert W. Jenny

(57) **CLAIM**

The ornamental design for a stethoscope chest piece, as shown and described.

**DESCRIPTION**

FIG. 1 is a perspective view of a stethoscope chest piece showing my new design;

FIG. 2 is a side elevational view thereof, the opposite side view being a mirror image thereto;

FIG. 3 is an end elevational view thereof;

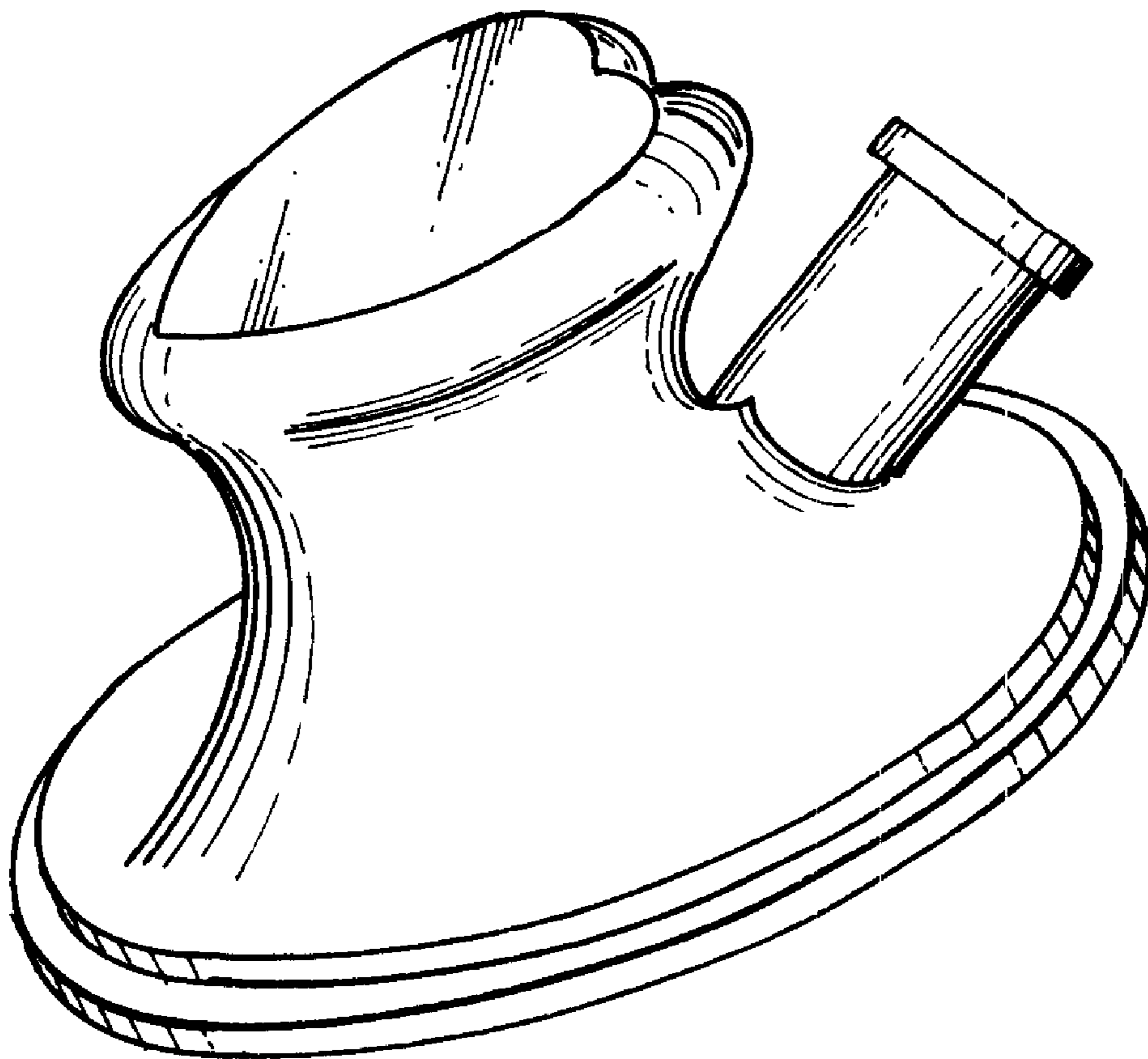
FIG. 4 is an end elevational view thereof, the opposite shown in FIG. 3;

FIG. 5 is a top plan view thereof; and,

FIG. 6 is a bottom plan view thereof.

The surfaces or portions of the article not shown in the drawings or described in the specification from no part of the claimed design.

**1 Claim, 2 Drawing Sheets**



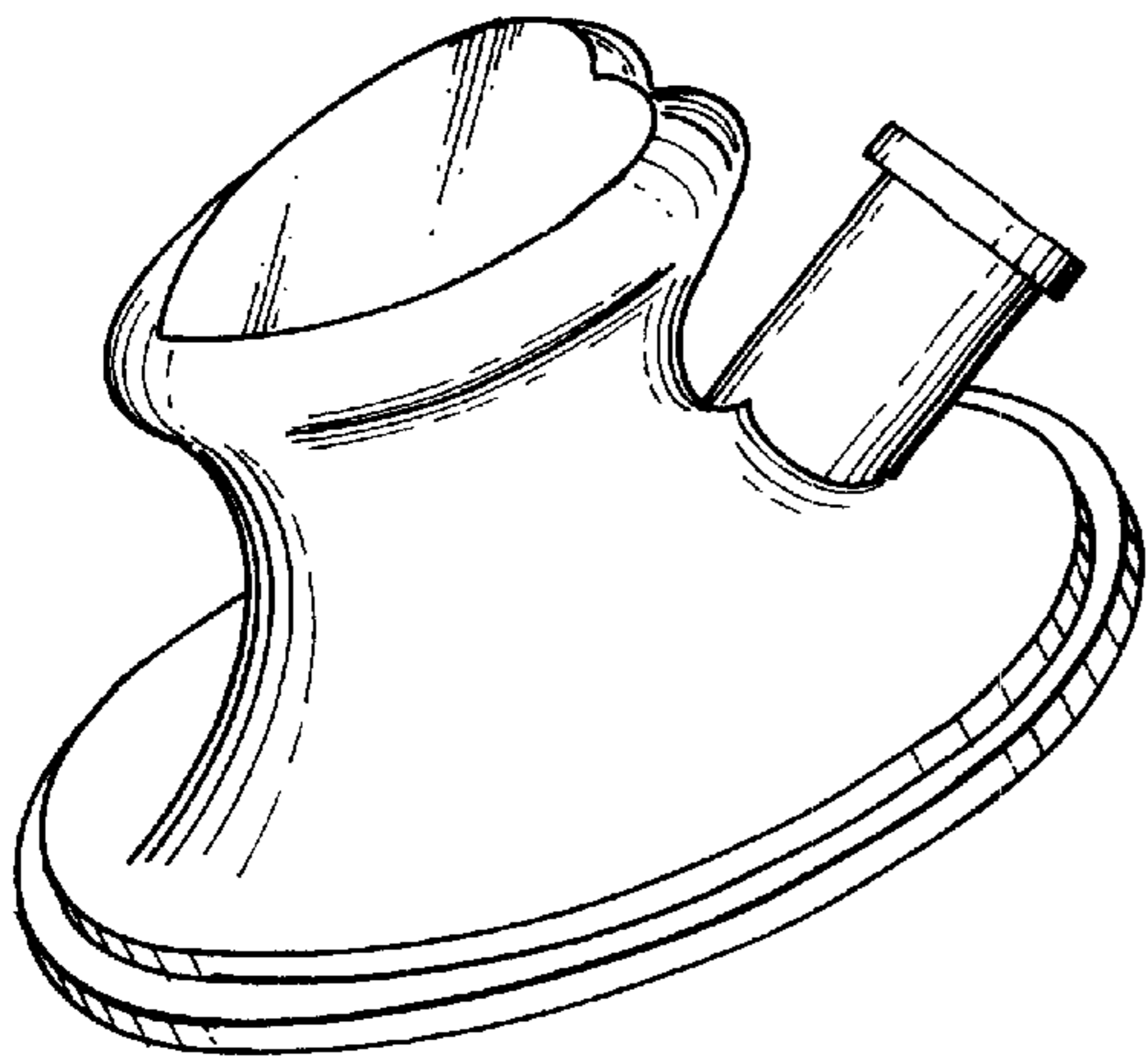


FIG. 1

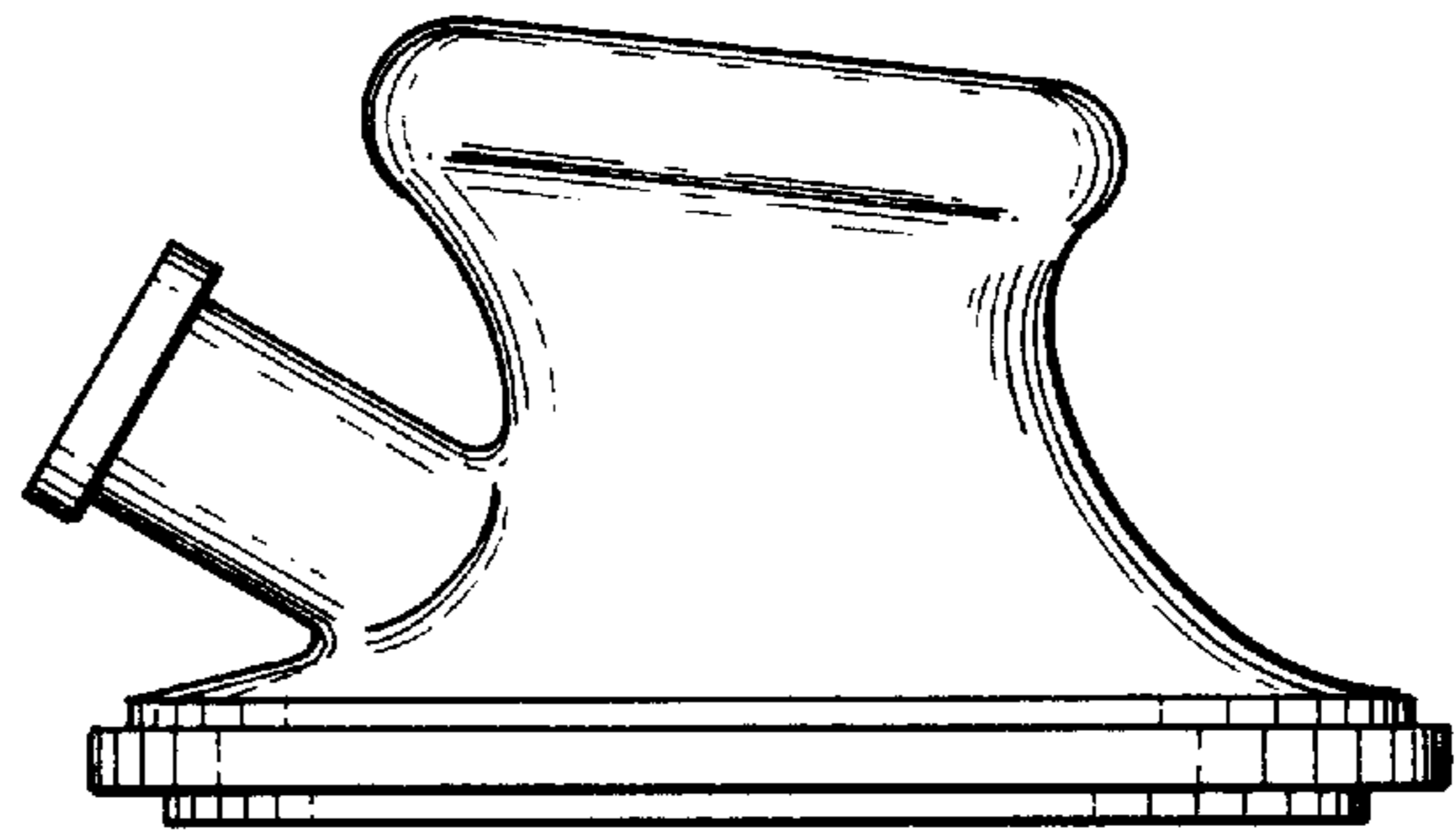


FIG. 2

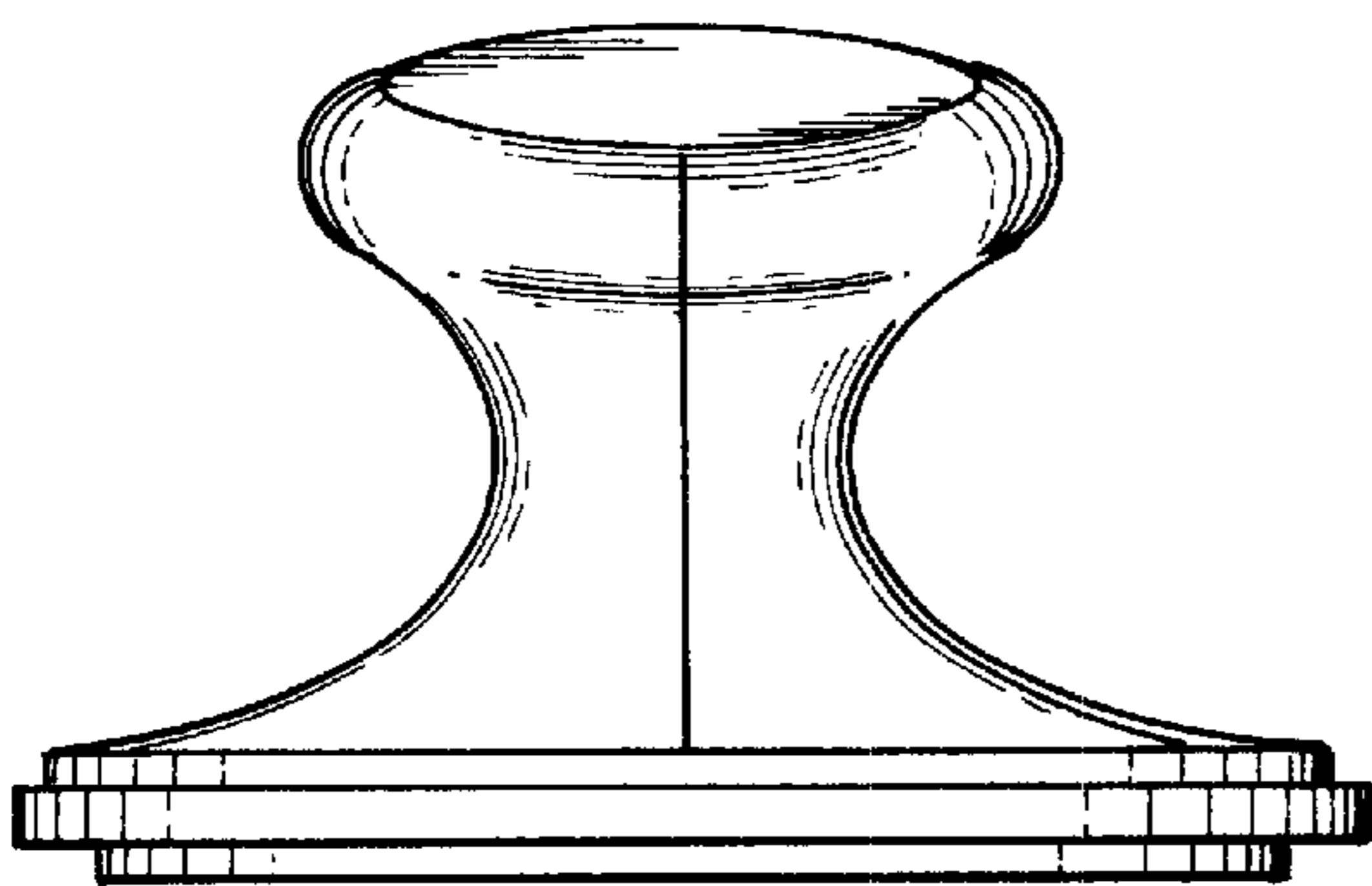
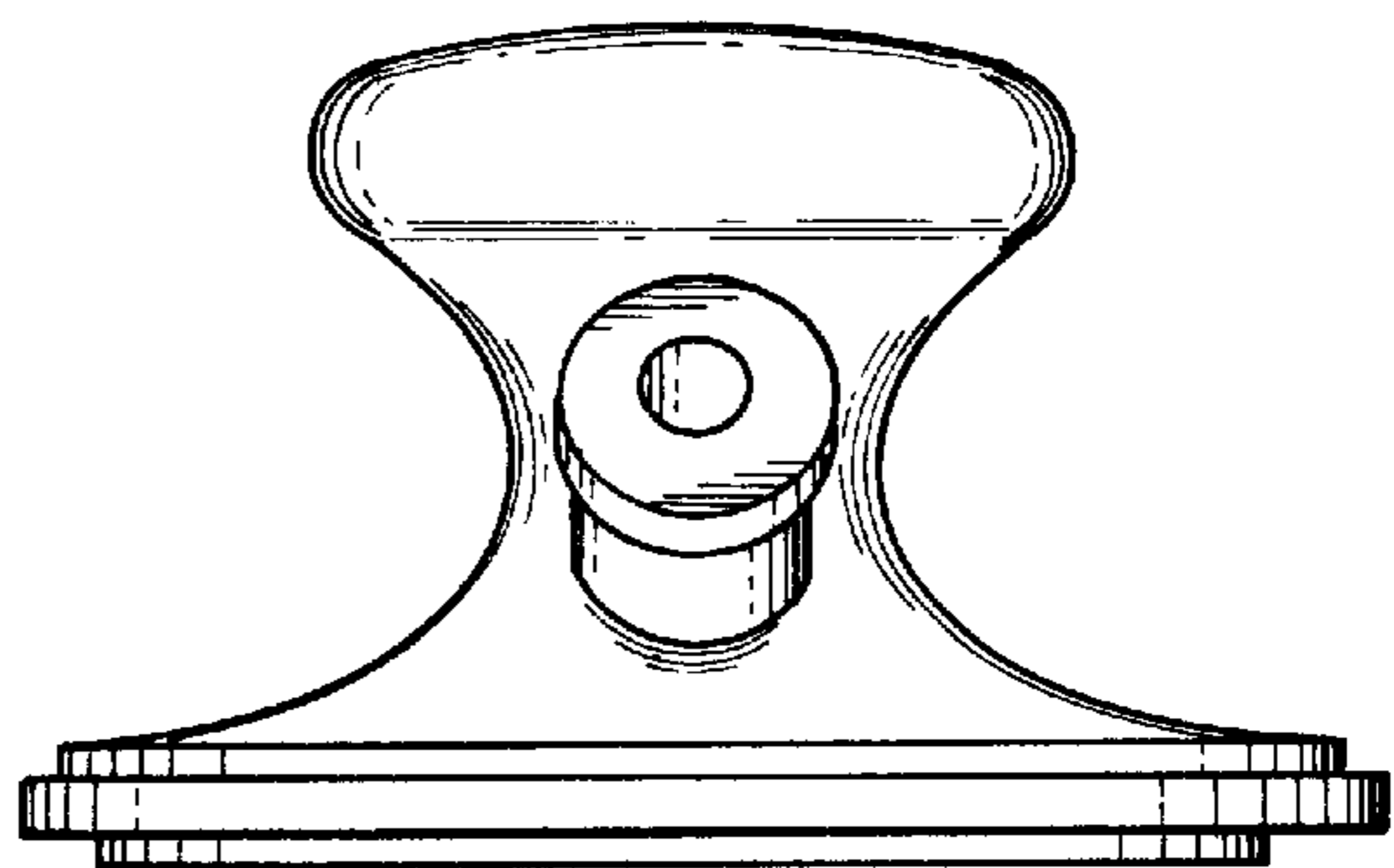


FIG. 3

FIG. 4



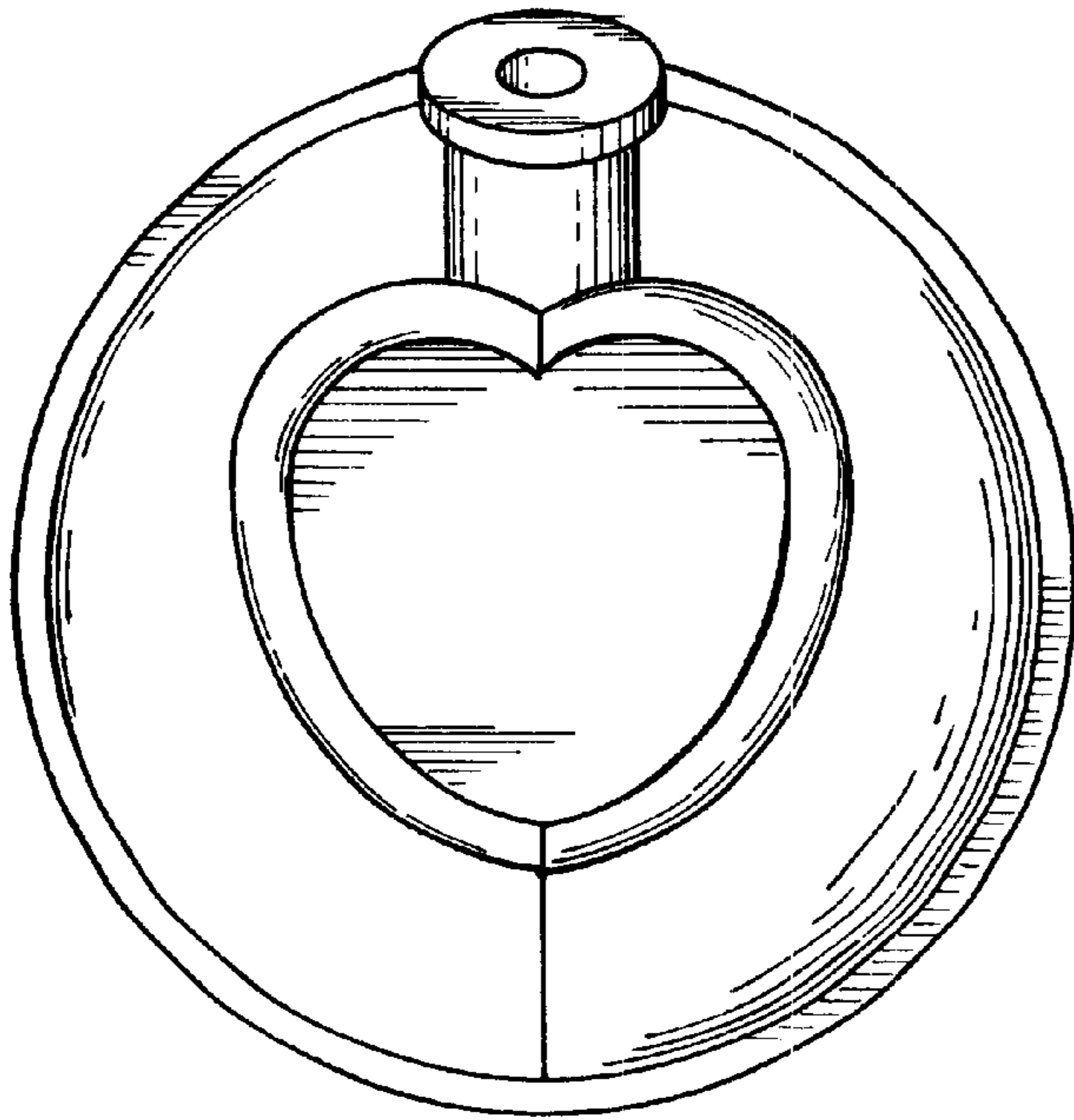


FIG. 5

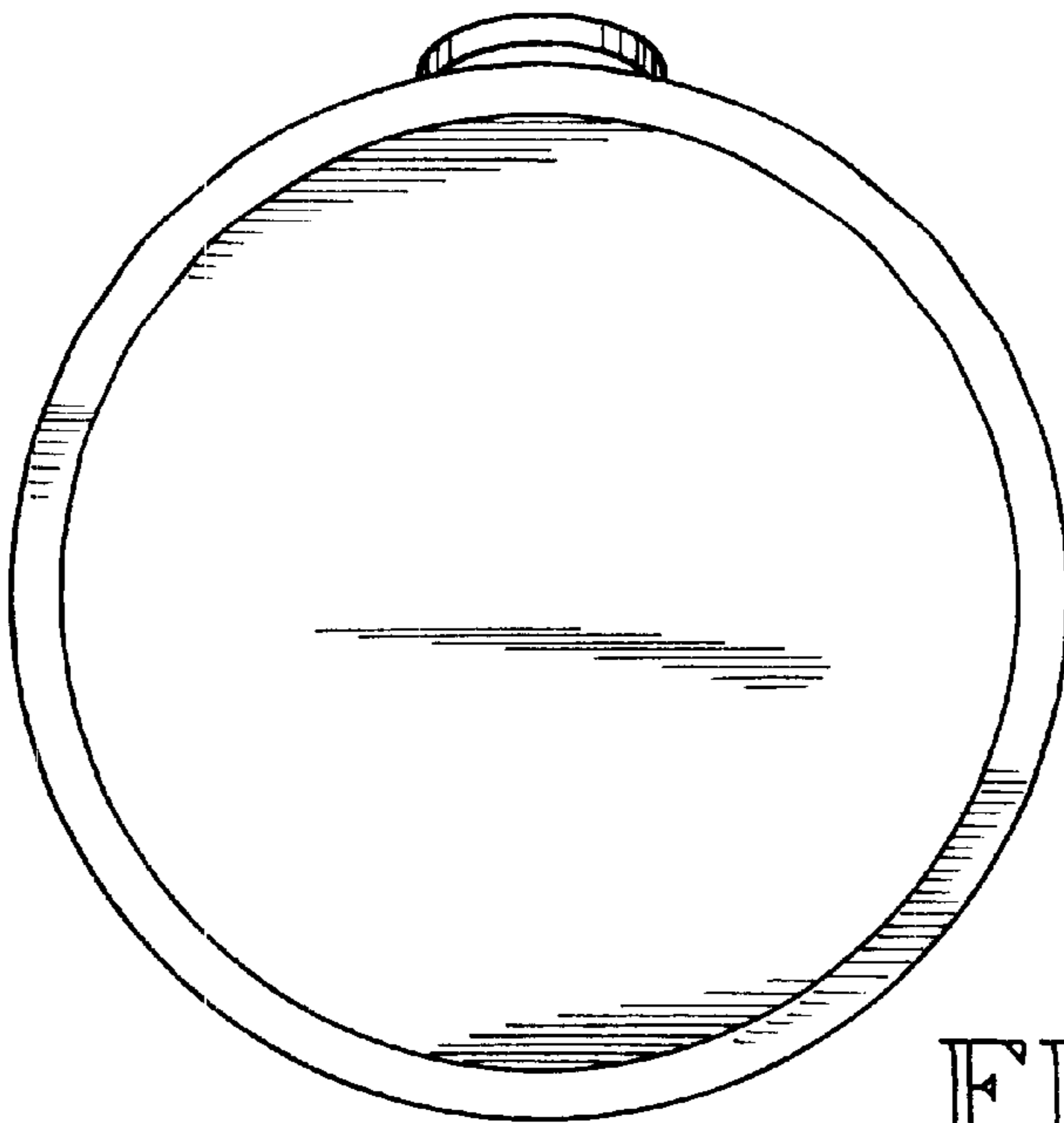


FIG. 6