



US00D452735B1

(12) **United States Design Patent**  
**Utas**

(10) **Patent No.:** **US D452,735 S**

(45) **Date of Patent:** **\*\* Jan. 1, 2002**

(54) **TIE OF AN ATTACHMENT FOR THE TRAILING END OF A URETHRAL DRAINAGE TUBE**

(75) Inventor: **Jan Utas**, Kungsbacka (SE)

(73) Assignee: **AstraZeneca AB**, Sodertalje (SE)

(\*\*) Term: **14 Years**

(21) Appl. No.: **29/123,523**

(22) Filed: **May 19, 2000**

**Related U.S. Application Data**

(62) Division of application No. 29/098,258, filed on Dec. 24, 1998, now Pat. No. Des. 432,230.

(30) **Foreign Application Priority Data**

Jun. 29, 1998 (SE) ..... 981327

(51) **LOC (7) Cl.** ..... **24-02**

(52) **U.S. Cl.** ..... **D24/130; D24/112**

(58) **Field of Search** ..... **D24/112, 133, D24/129, 110; 604/544, 533, 539, 528, 523, 264, 283, 280, 920, 921, 320**

*Primary Examiner*—Ian Simmons  
(74) *Attorney, Agent, or Firm*—White & Case LLP

(57) **CLAIM**

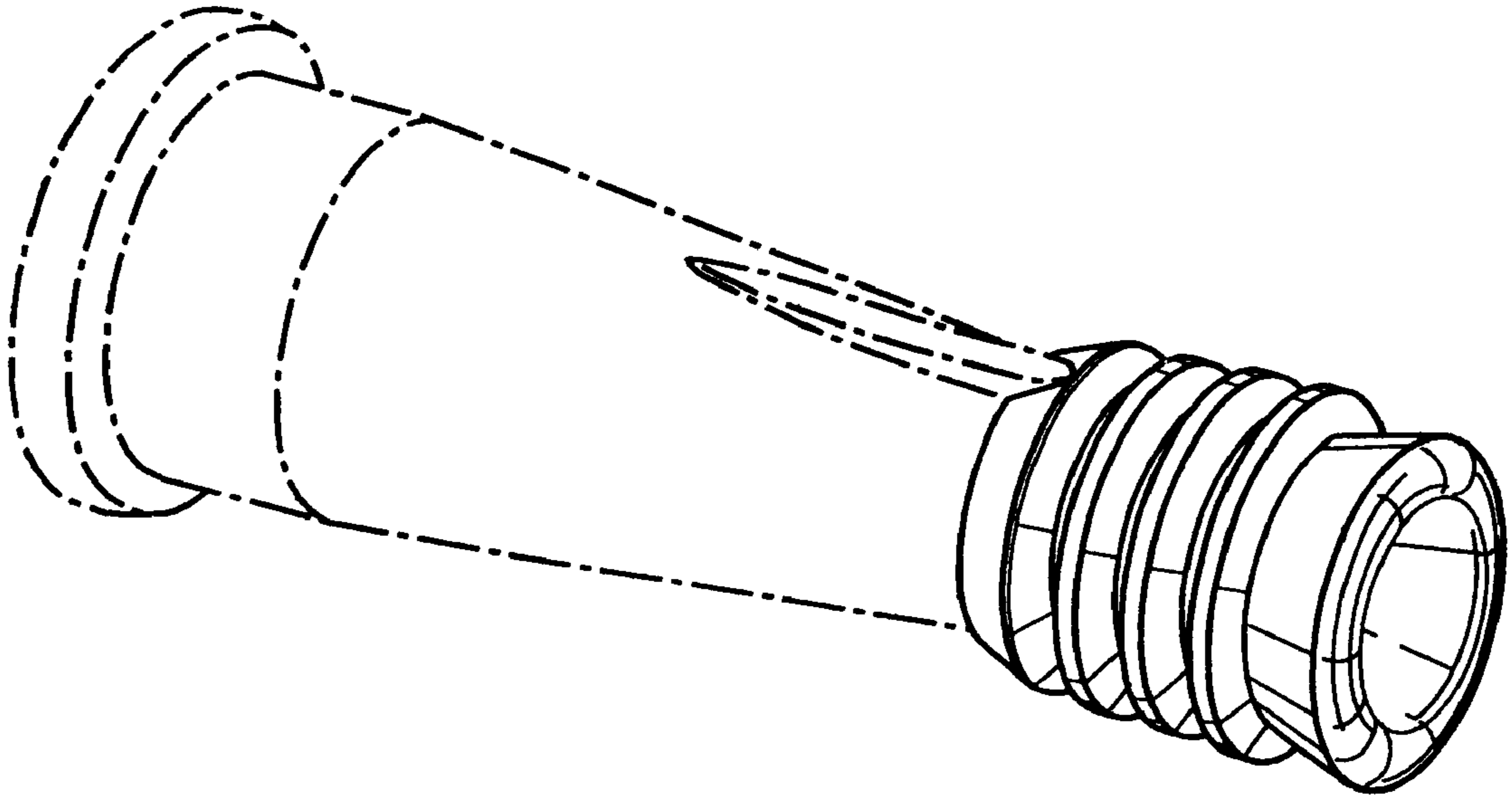
The ornamental design for a tip of an attachment for the trailing end of a urethral drainage tube, as shown and described.

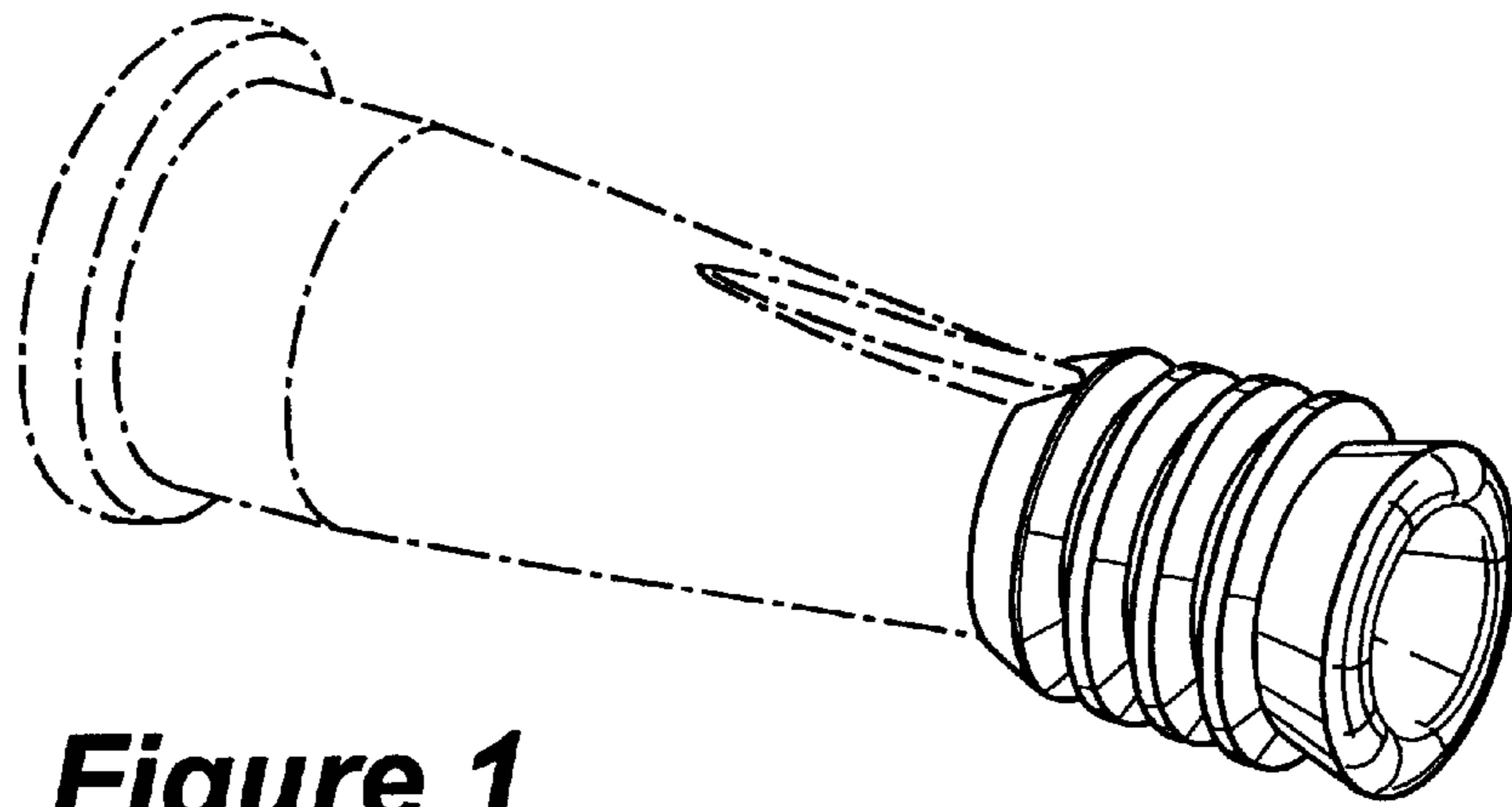
**DESCRIPTION**

FIG. 1 is a perspective view of a tip of an attachment for the trailing end of a urethral tube showing my new design; FIG. 2 is a top plan view thereof; FIG. 3 is a side elevational view thereof; FIG. 4 is a side elevational view thereof; FIG. 5 is a side elevational view thereof, opposite that shown in FIG. 4; FIG. 6 is a perspective view thereof; and, FIG. 7 is a top plan view thereof.

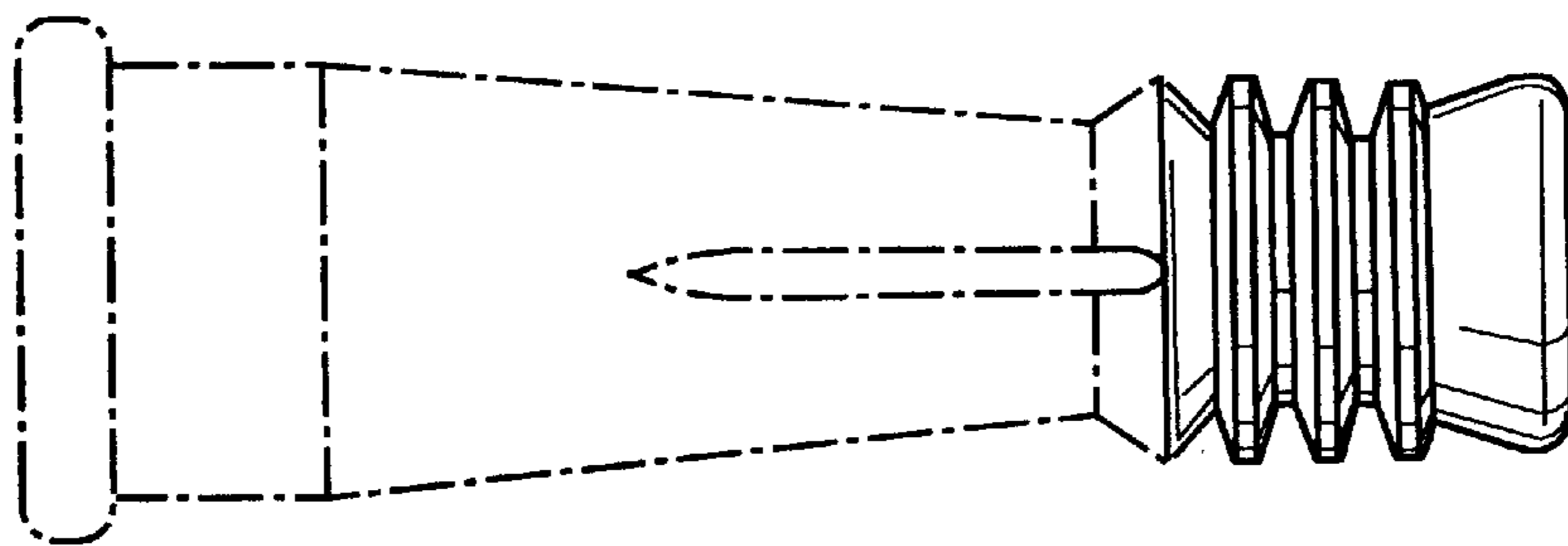
The broken line showing in FIGS. 1–7 of sections of an attachment for the trailing end of a urethral drainage tube and the drainage tube is for illustrative purposes only and forms no part of the claimed design.

**1 Claim, 3 Drawing Sheets**

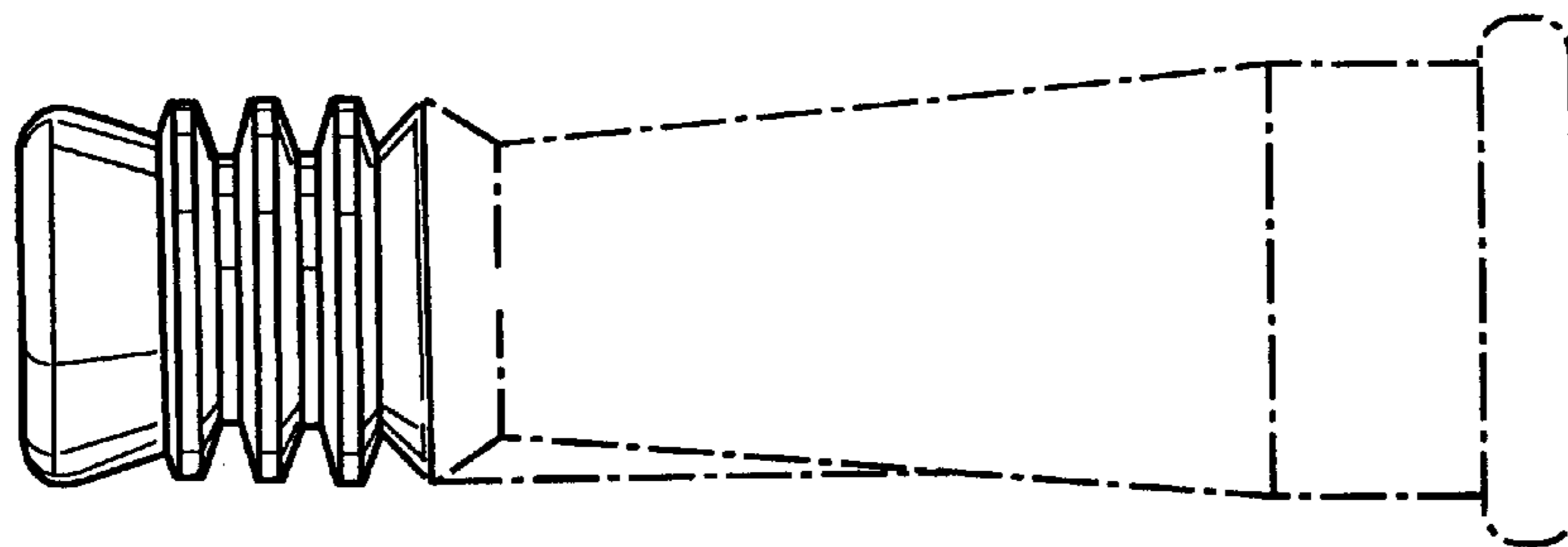




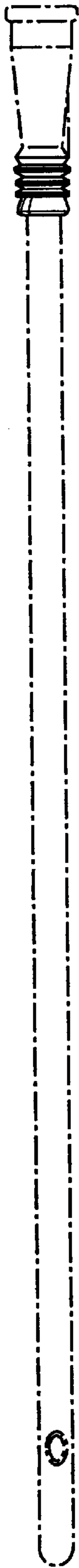
**Figure 1**



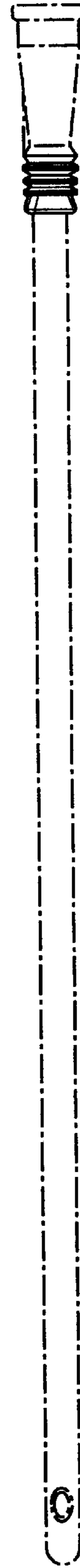
**Figure 2**



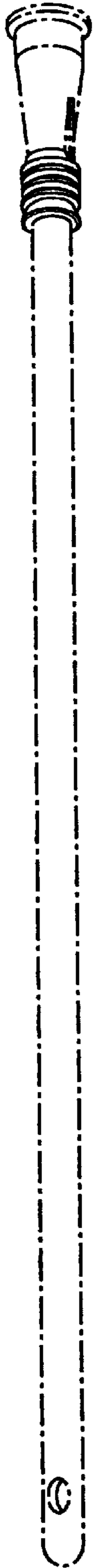
**Figure 3**



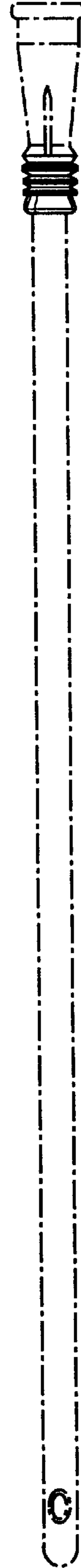
**Figure 4**



**Figure 5**



**Figure 6**



**Figure 7**