



US00D452734B1

(12) **United States Design Patent**
Blateri et al.

(10) **Patent No.:** **US D452,734 S**

(45) **Date of Patent:** **** Jan. 1, 2002**

(54) **COOLING FAN**

5,829,956 A * 11/1998 Chen et al. 416/244 R

(75) Inventors: **Frank Blateri**, Coppel, TX (US);
Wang Liang Chou, Taichung (TW)

* cited by examiner

(73) Assignee: **Aloha Housewares Co., Ltd.** (TW)

Primary Examiner—Lisa Lichtenstein

(74) *Attorney, Agent, or Firm*—Haynes & Boone, L.L.P.

(**) Term: **14 Years**

(57) **CLAIM**

(21) Appl. No.: **29/112,678**

The ornamental design for a cooling fan, as shown and described.

(22) Filed: **Oct. 21, 1999**

DESCRIPTION

(51) **LOC (7) Cl.** **23-04**

FIG. 1 is a front elevational view of the cooling fan showing my new design;

(52) **U.S. Cl.** **D23/382; D23/370; D23/381**

FIG. 2 is an elevational view of one side thereof;

(58) **Field of Search** **D23/381, 382, D23/411, 412, 370; 416/246 R, 247 R**

FIG. 3 is a rear elevational view thereof;

FIG. 4 is an elevational view of the other side thereof;

(56) **References Cited**

FIG. 5 is a top plan view thereof; and,

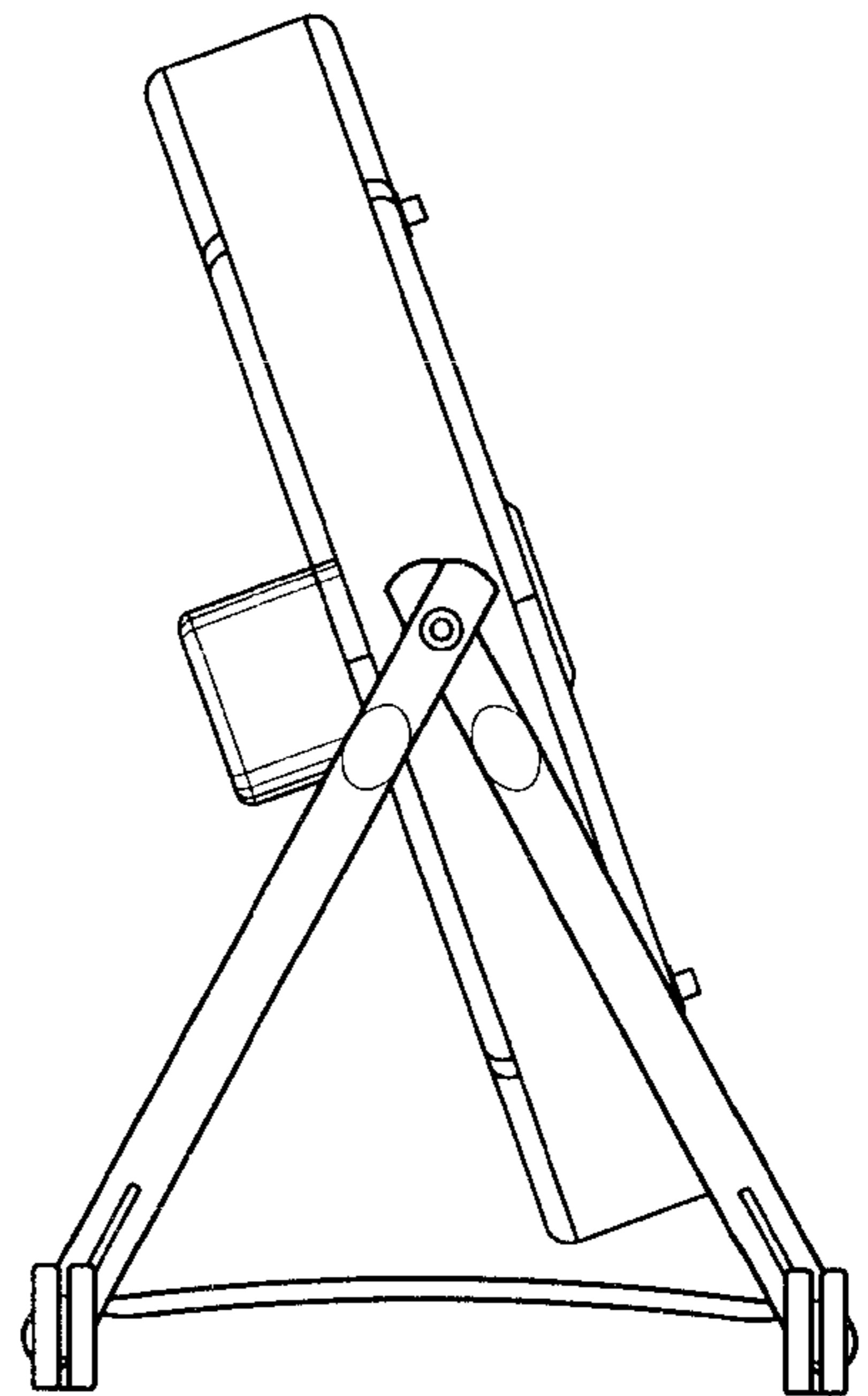
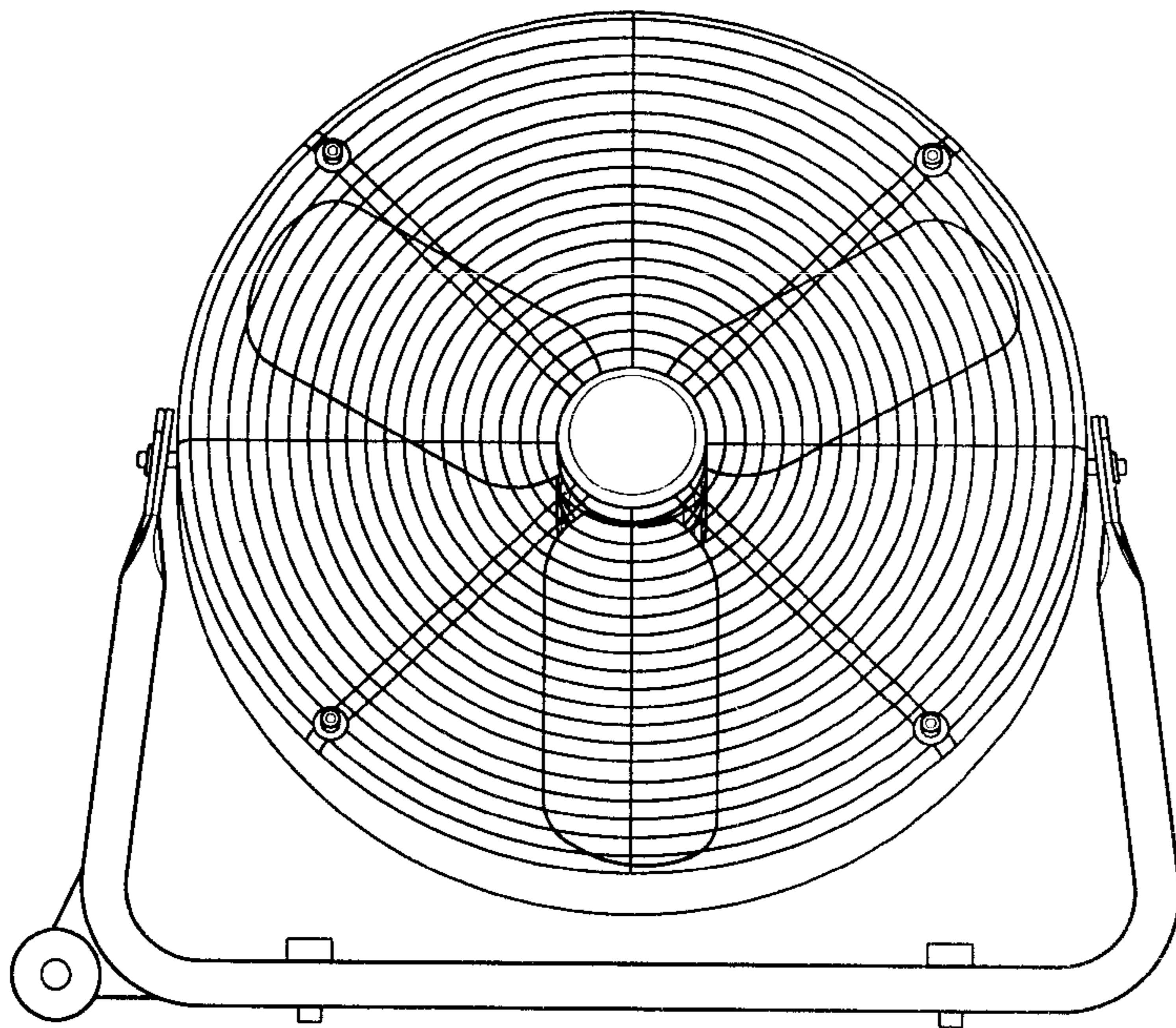
FIG. 6 is a bottom plan view thereof.

U.S. PATENT DOCUMENTS

5,295,811 A * 3/1994 Chiu 416/247 R

D388,869 S * 1/1998 Wang D23/378

1 Claim, 3 Drawing Sheets



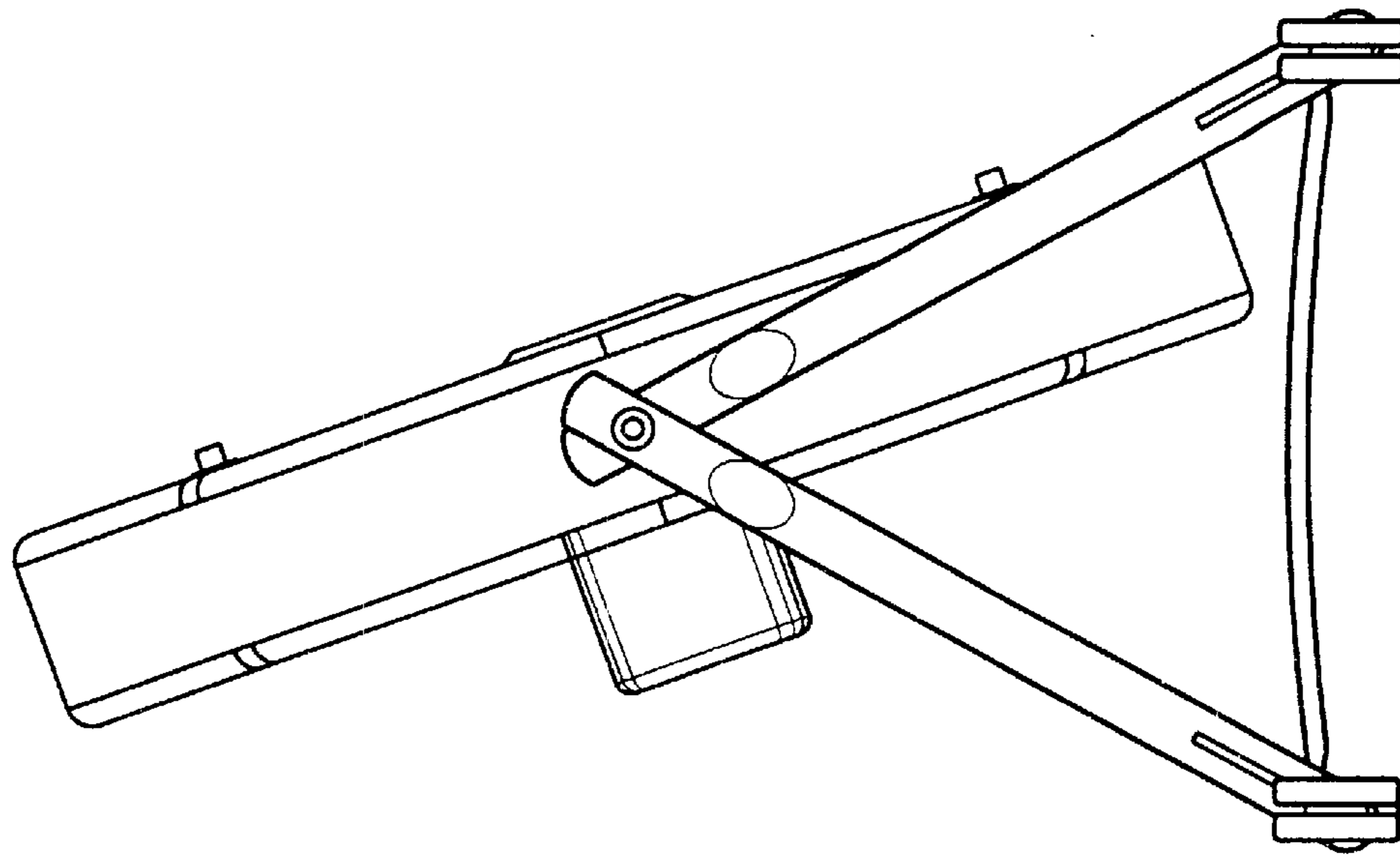


Fig. 2

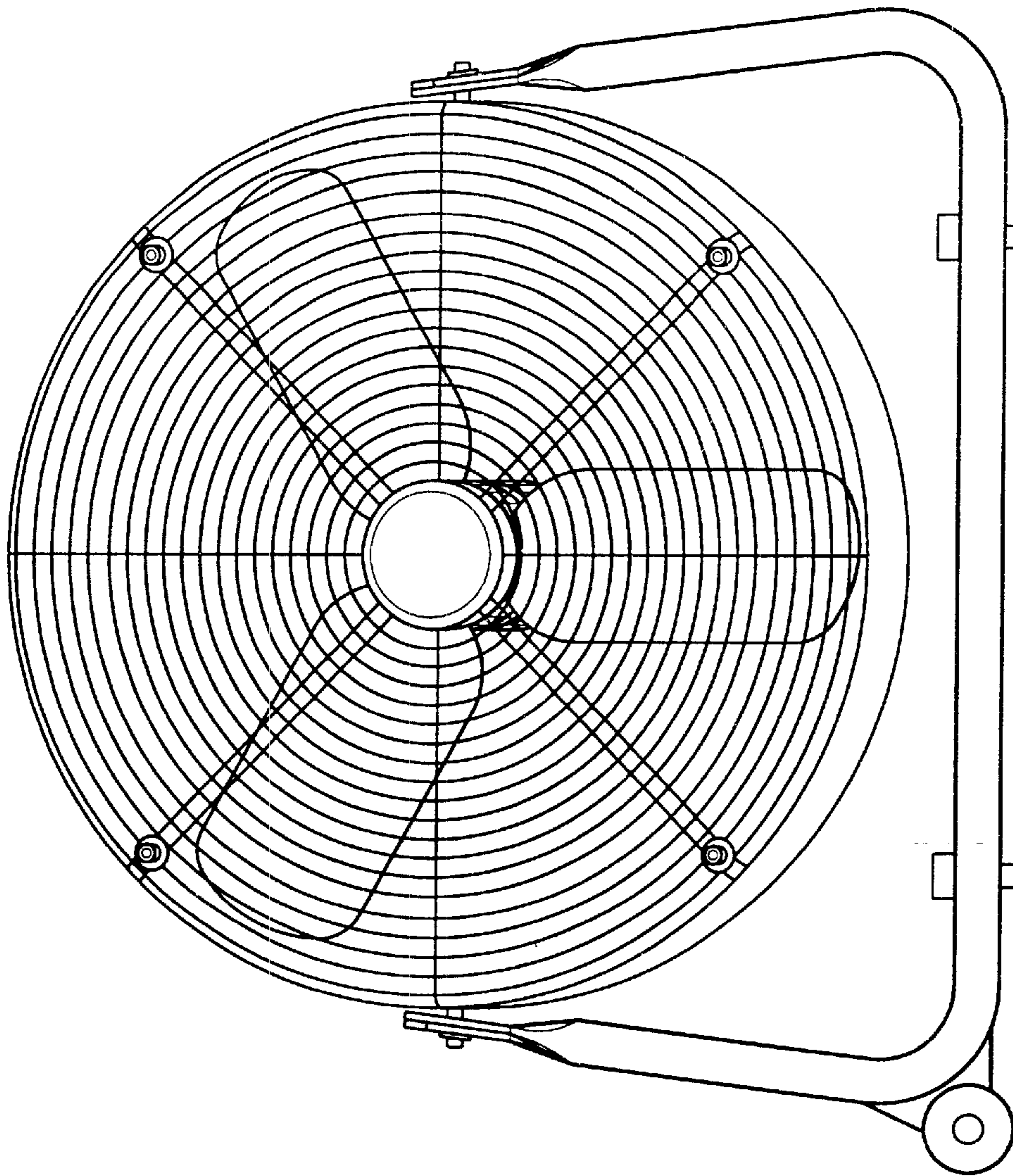


Fig. 1

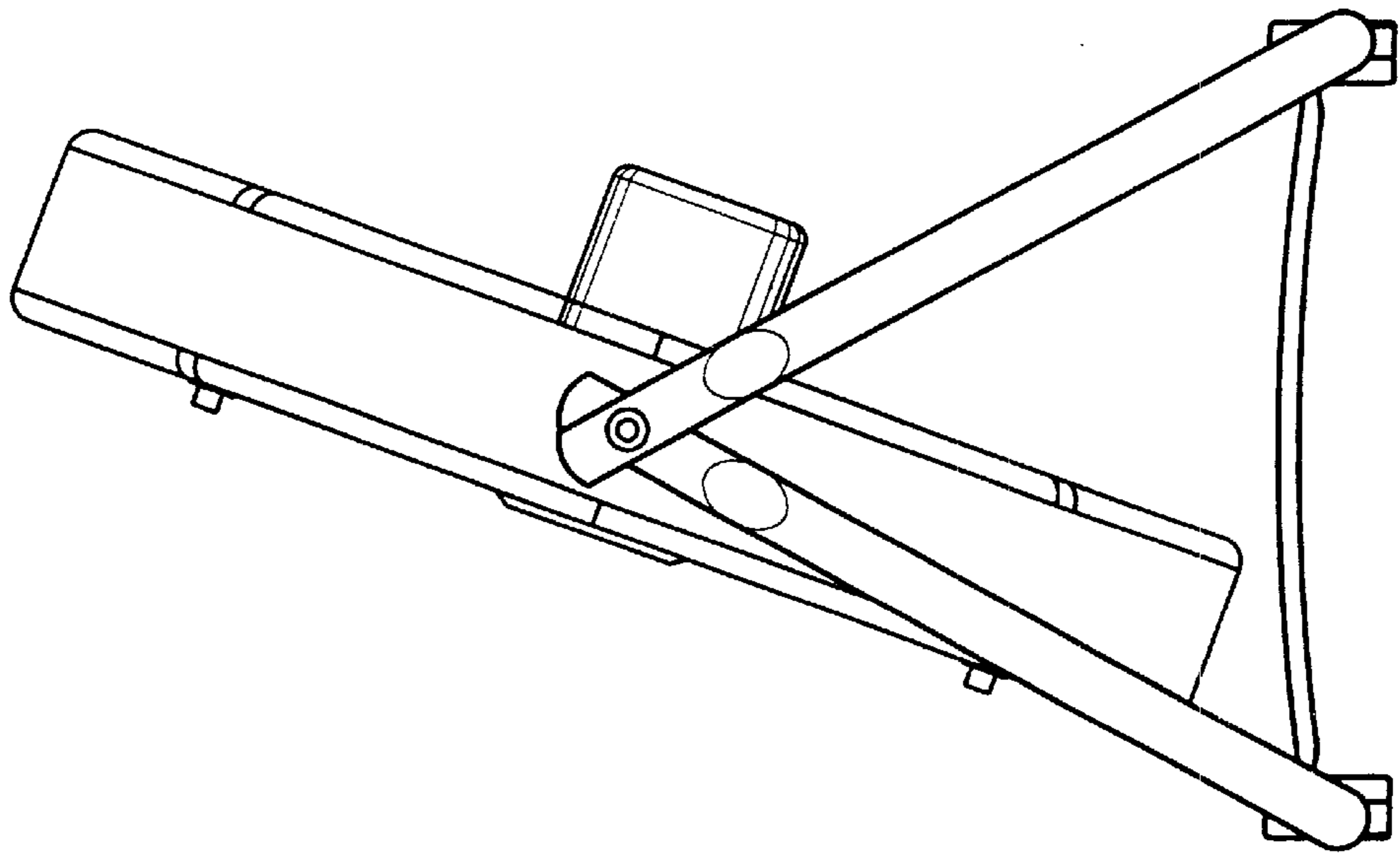


Fig. 4

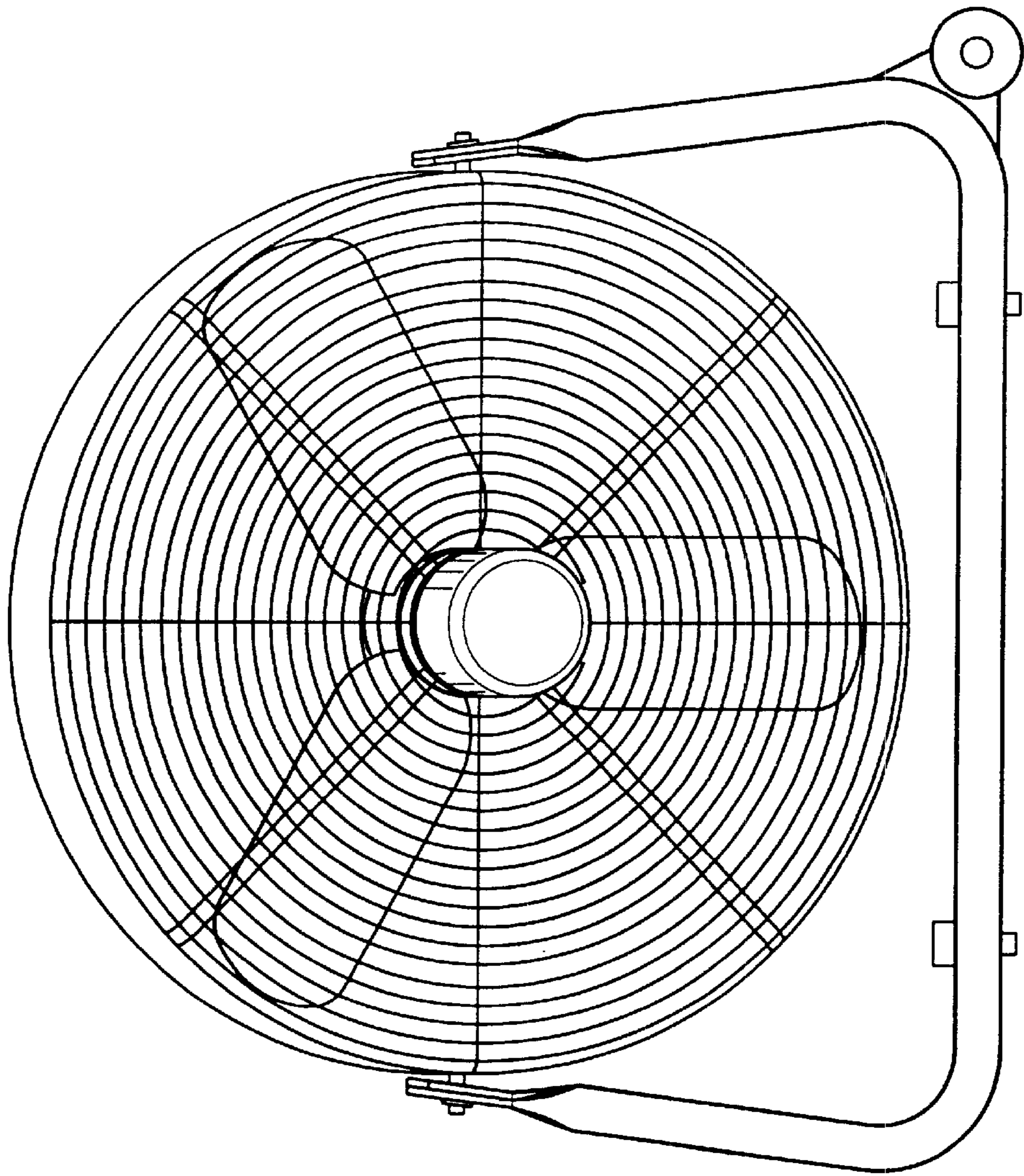


Fig. 3

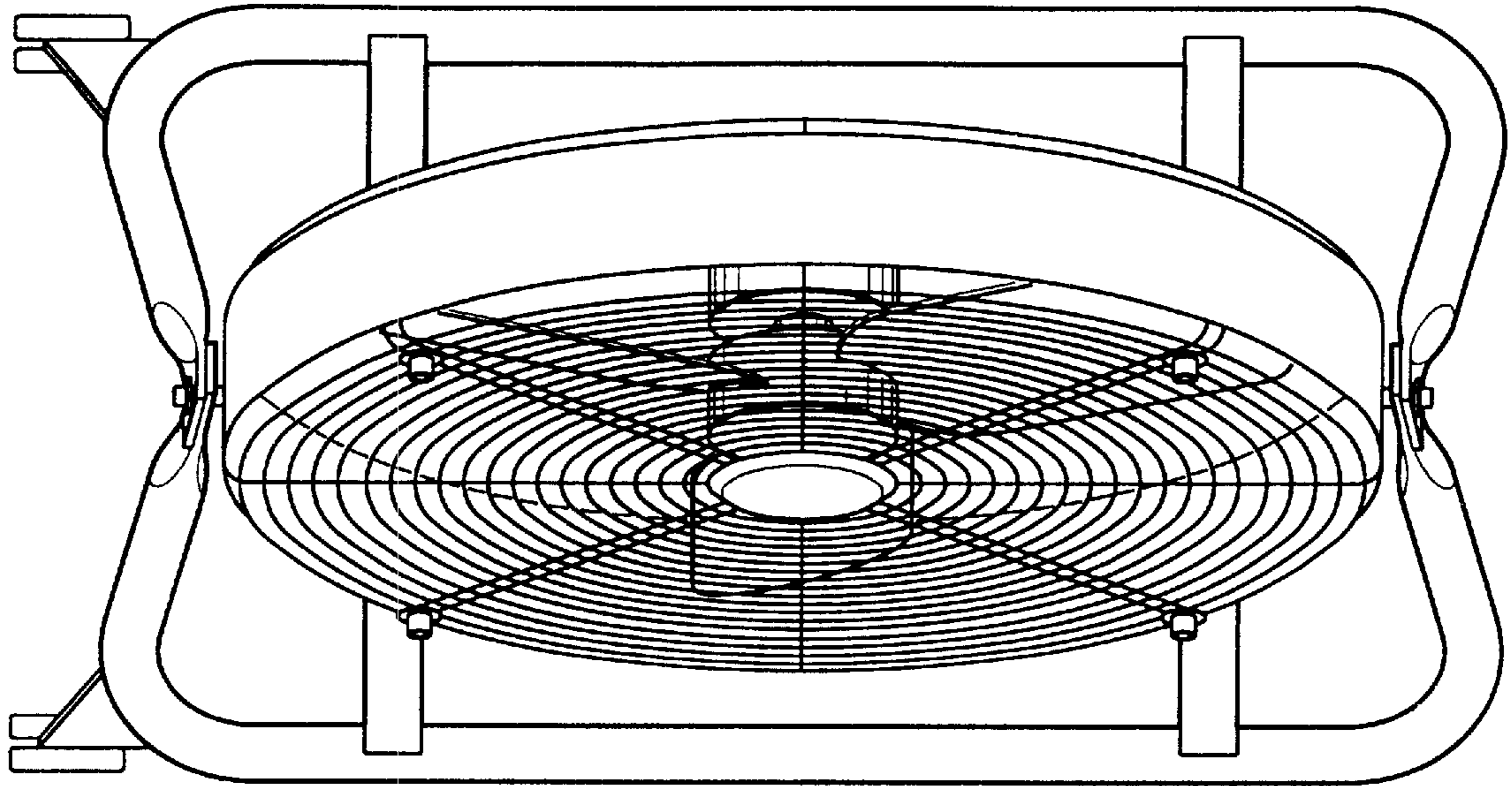


Fig. 5

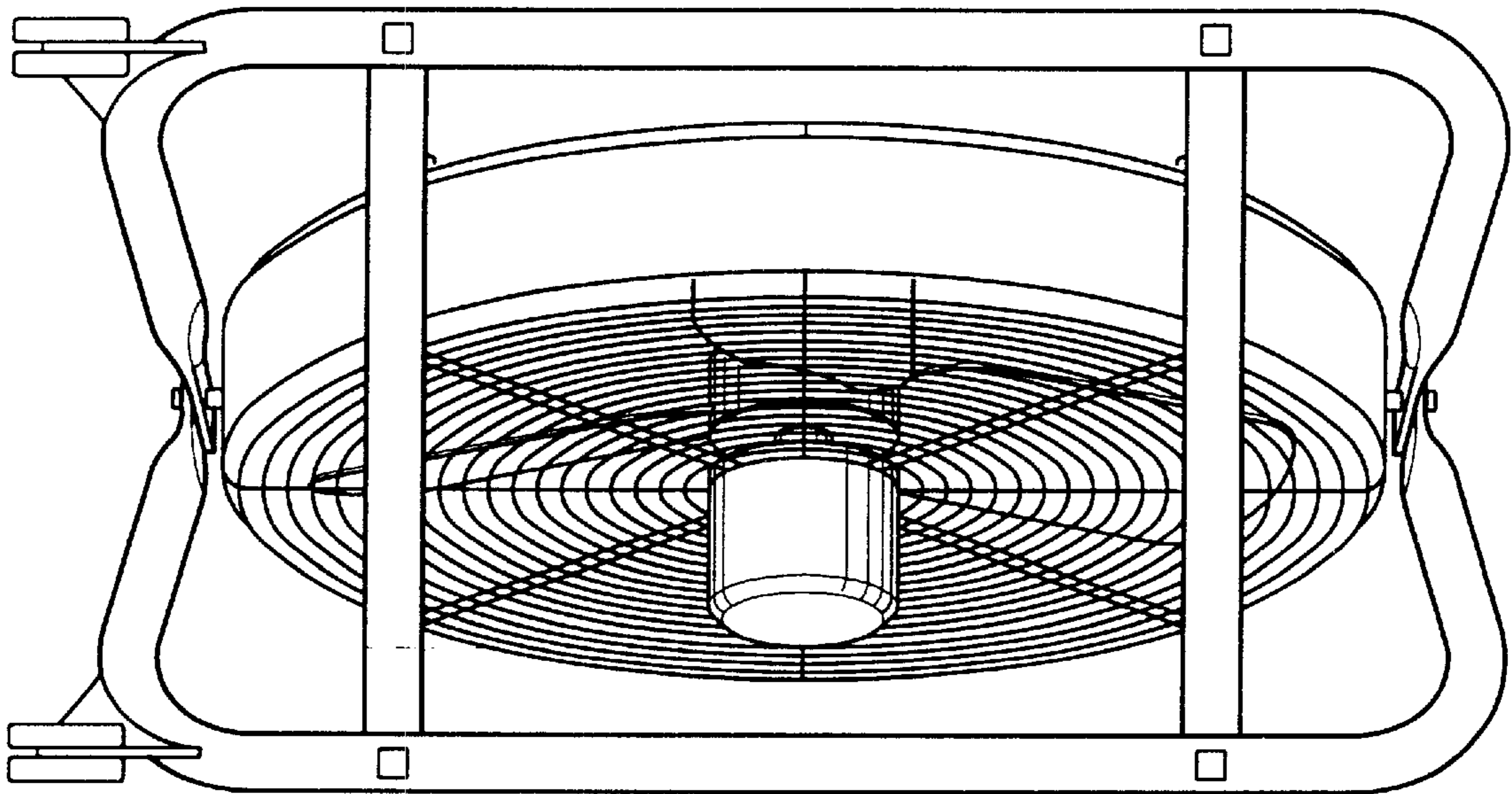


Fig. 6