



US00D452733B1

(12) **United States Design Patent**
Thakur

(10) **Patent No.:** **US D452,733 S**

(45) **Date of Patent:** **** Jan. 1, 2002**

(54) **FAN**

(76) **Inventor:** **Doulat Kumar Thakur**, 8 Fl., No. 25,
Sec. 1, Nanking E. Rd., Taipei (TW)

(**) **Term:** **14 Years**

(21) **Appl. No.:** **29/135,700**

(22) **Filed:** **Jan. 18, 2001**

(51) **LOC (7) Cl.** **23-04**

(52) **U.S. Cl.** **D23/378**

(58) **Field of Search** **D23/382, 378,**
D23/381; 416/247 R, 246 R

(56) **References Cited**

U.S. PATENT DOCUMENTS

D420,734 S	*	2/2000	Thakur	D23/378
D424,682 S	*	5/2000	Thakur	D23/378
D426,631 S	*	6/2000	Thakur	D23/378

* cited by examiner

Primary Examiner—Lisa Lichtenstein

(74) *Attorney, Agent, or Firm*—Bacon & Thomas, PLLC

(57) **CLAIM**

The ornamental design for a fan, as shown.

DESCRIPTION

FIG. 1 is a perspective view of a fan, showing my new design;

FIG. 2 is a front view thereof;

FIG. 3 is a rear view thereof;

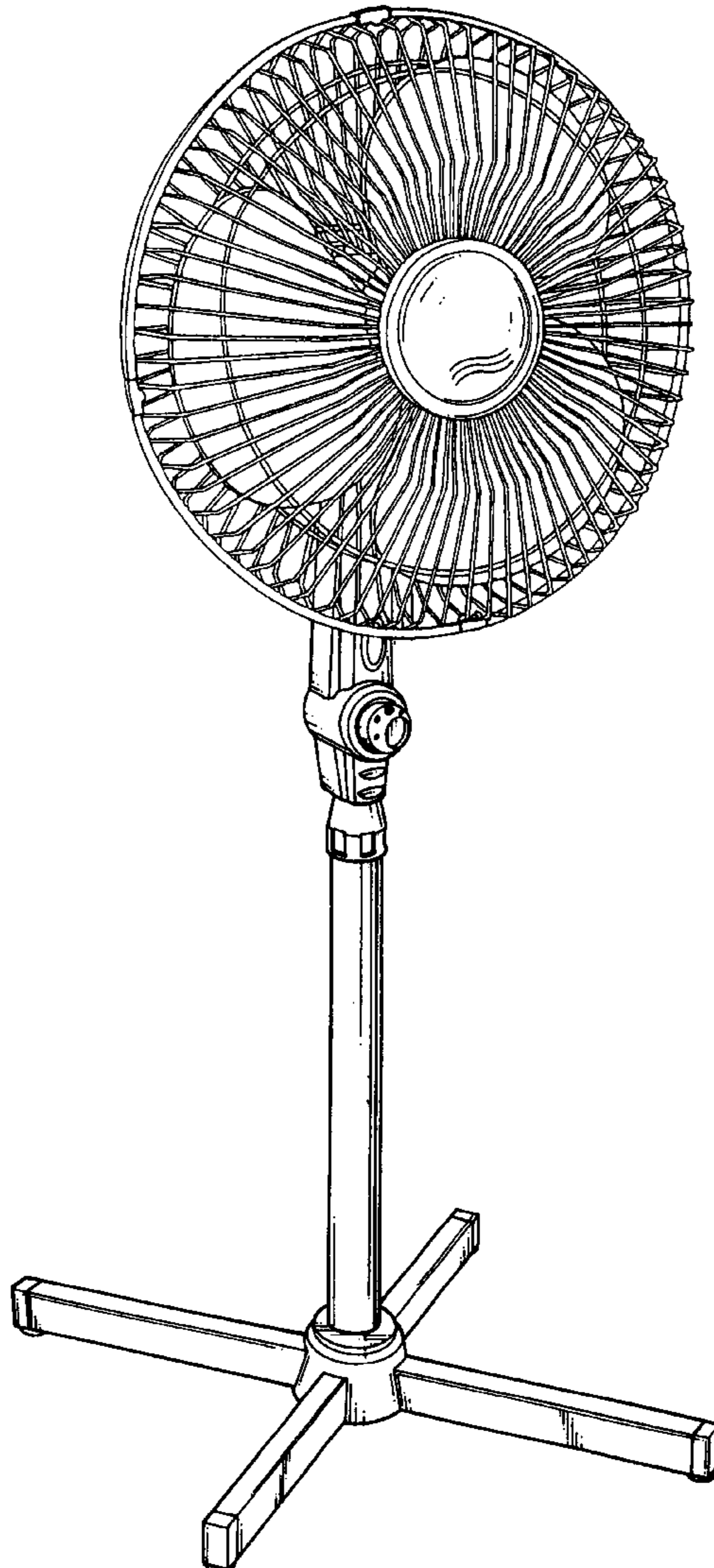
FIG. 4 is a left side view thereof;

FIG. 5 is a right side view thereof;

FIG. 6 is a top plan view thereof; and,

FIG. 7 is a bottom plan view thereof.

1 Claim, 6 Drawing Sheets



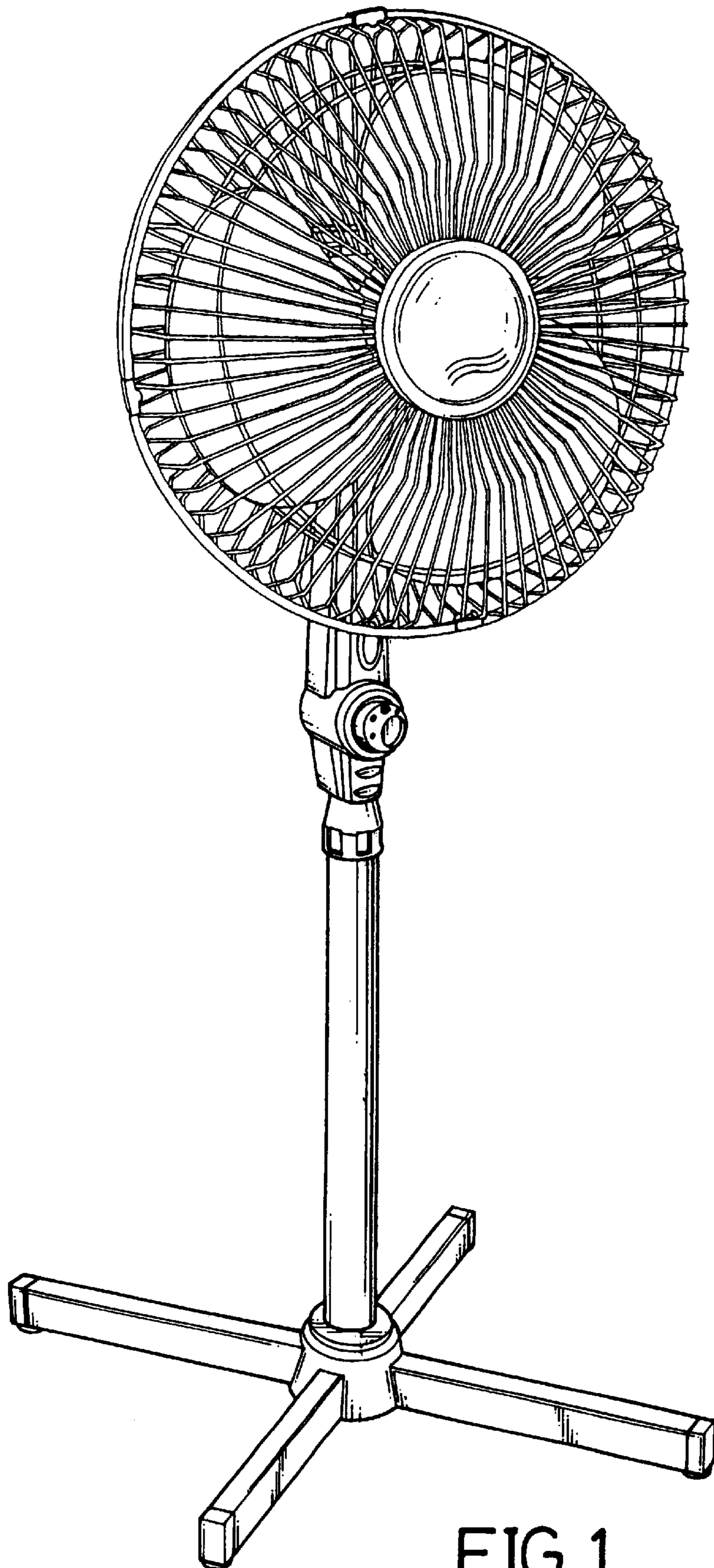


FIG. 1

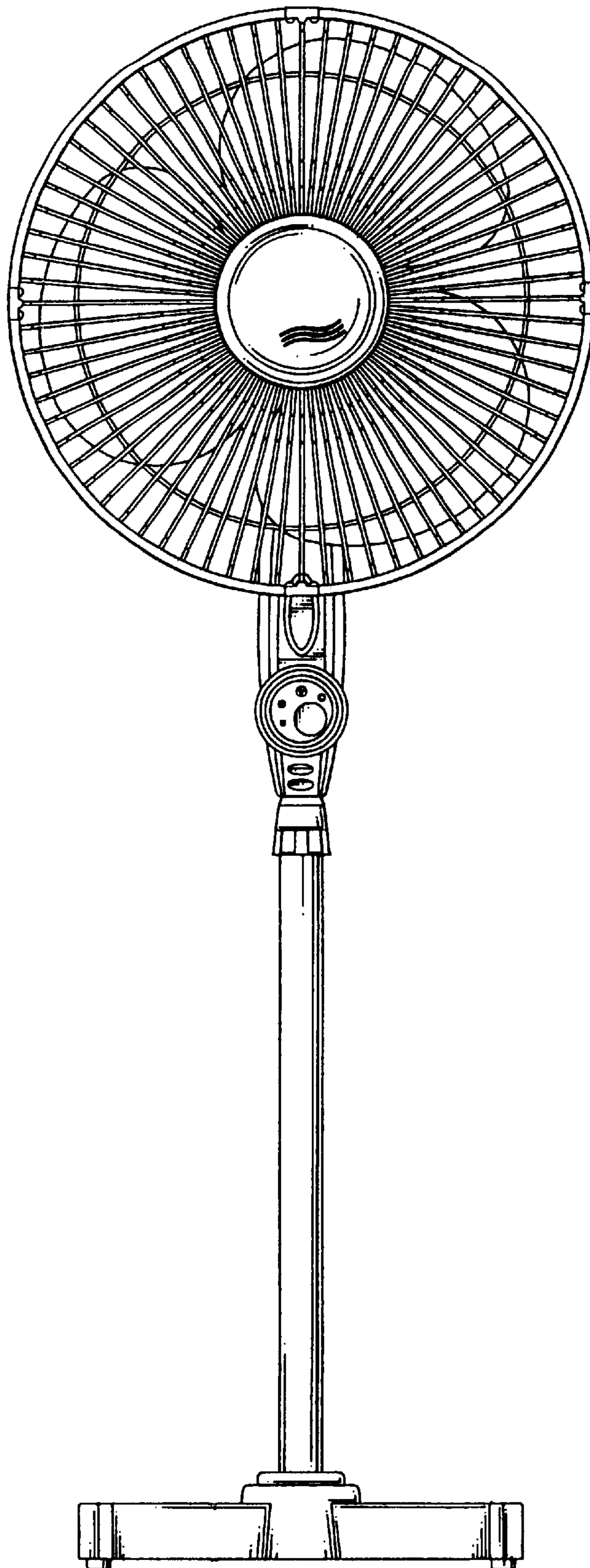


FIG. 2

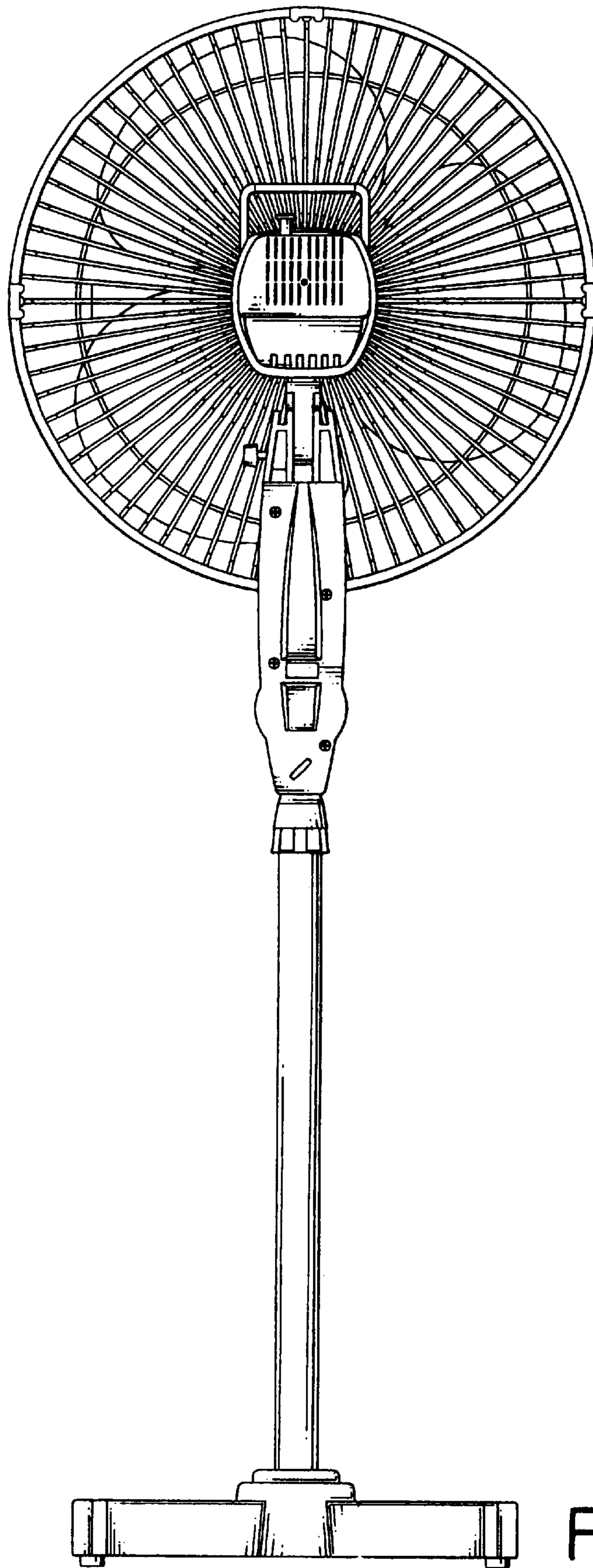


FIG. 3

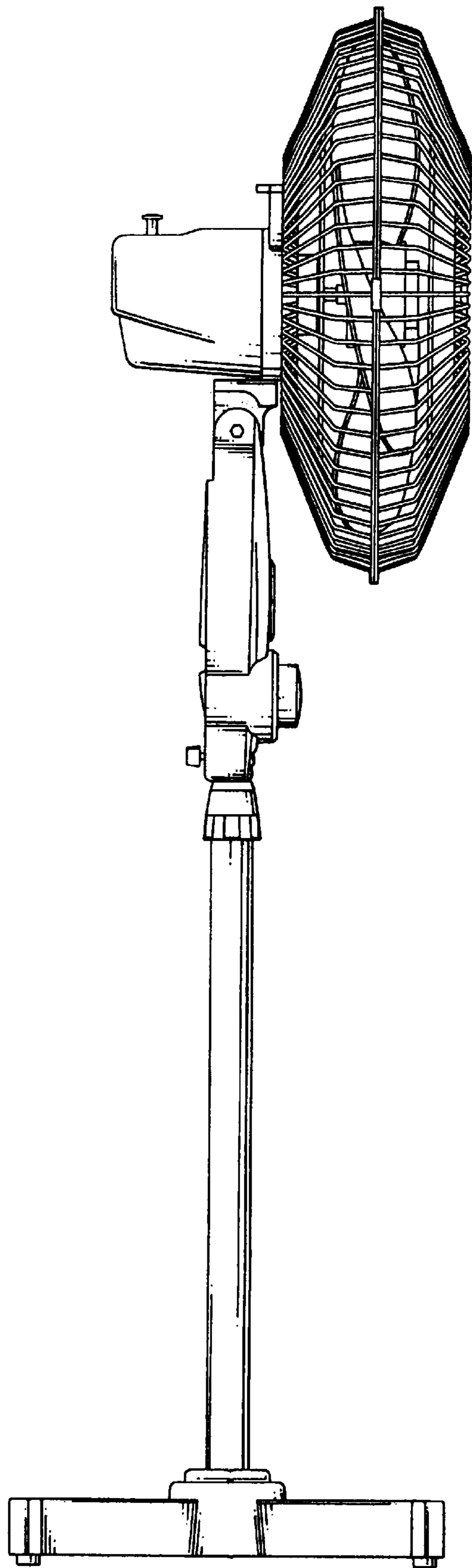


FIG. 4

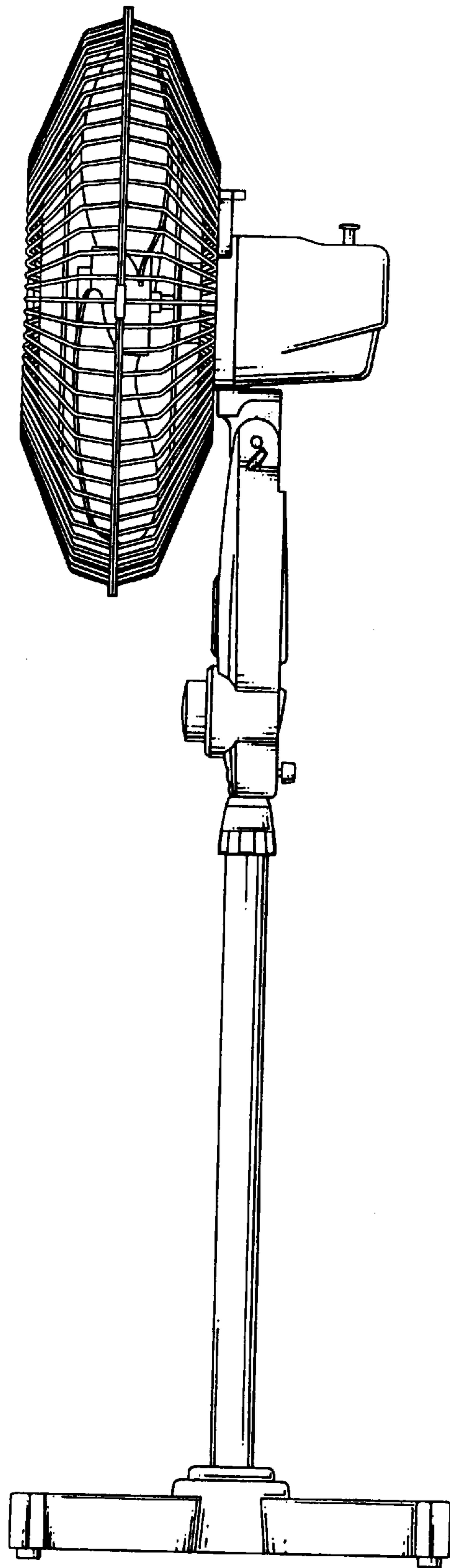


FIG. 5

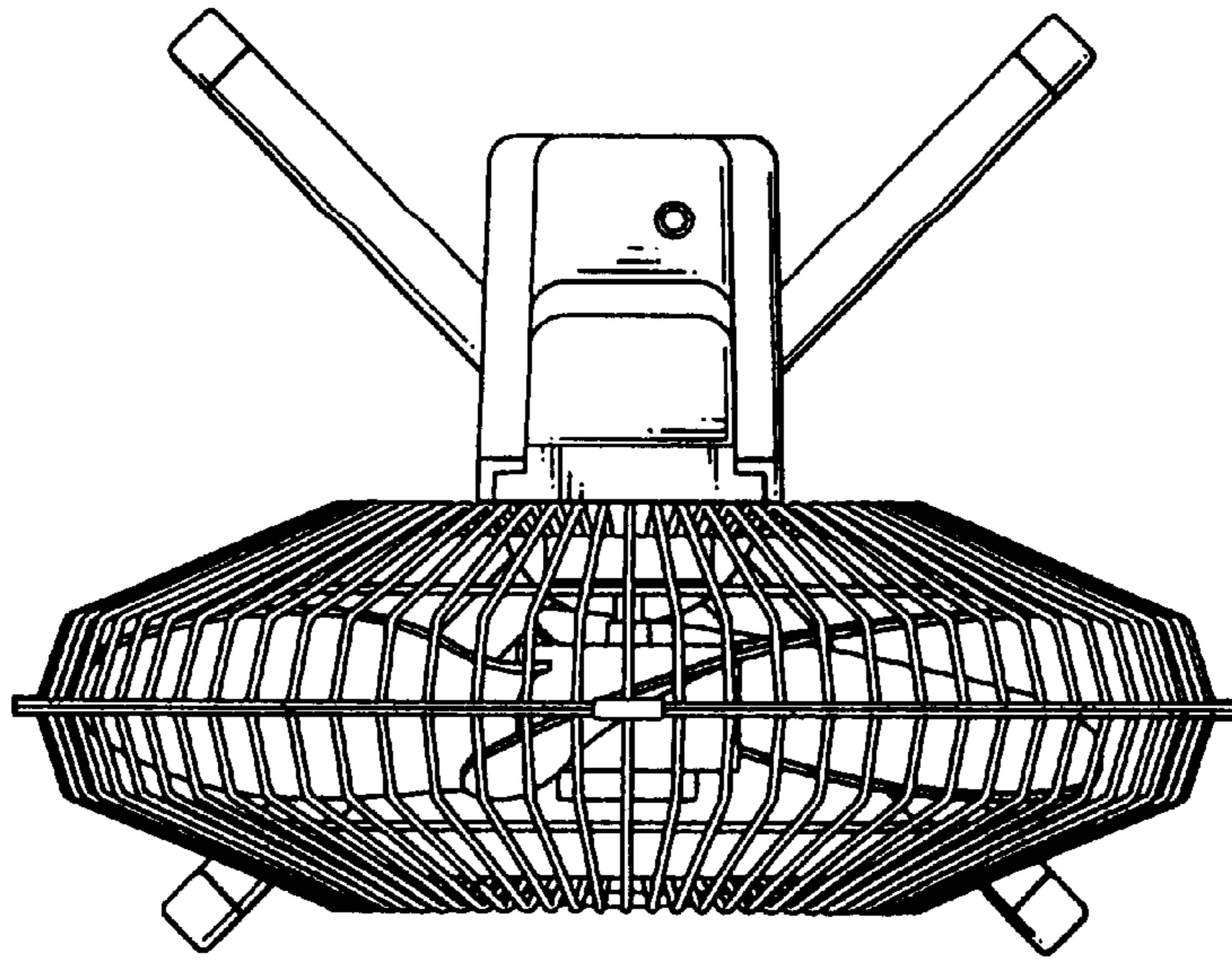


FIG. 6

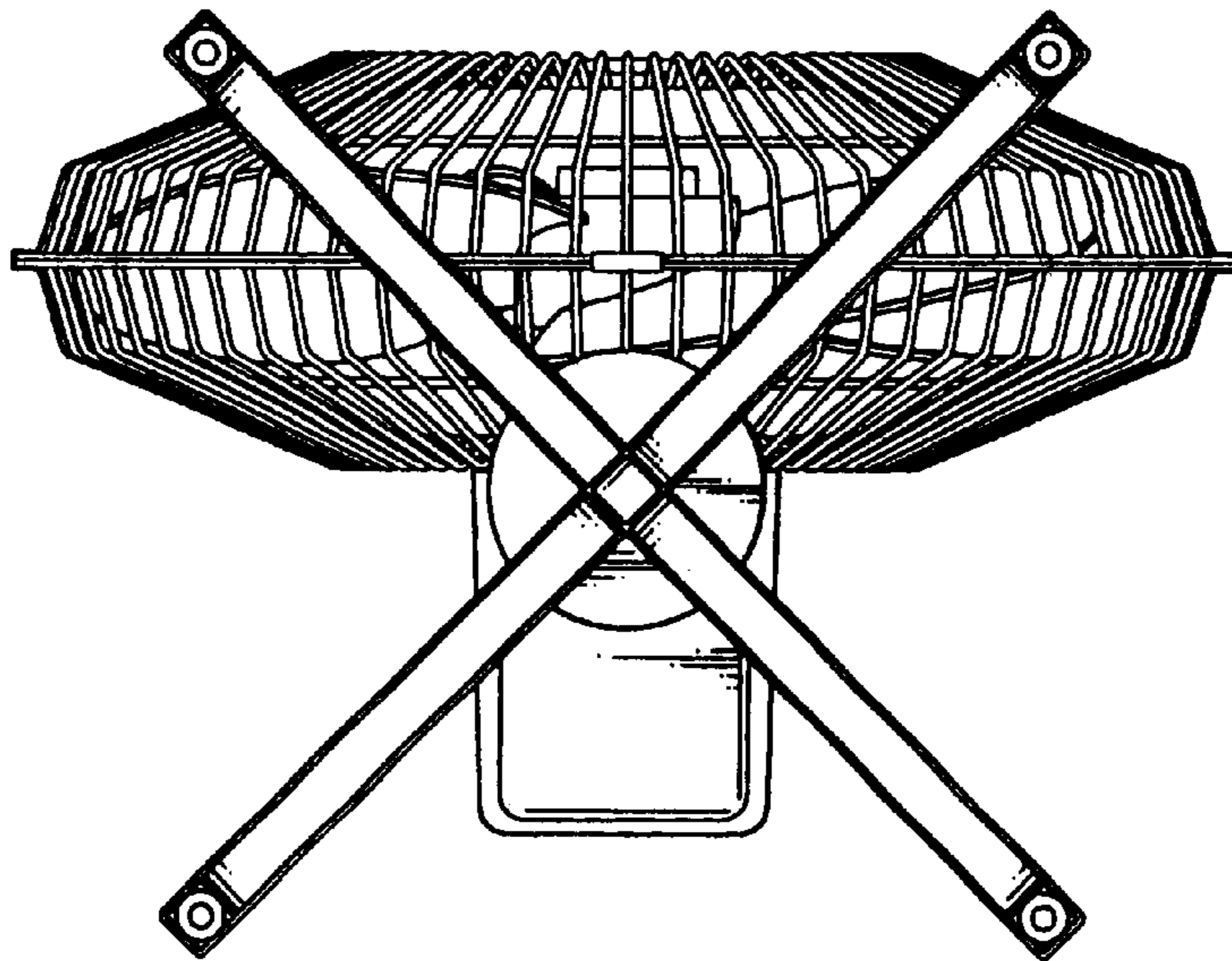


FIG. 7