



US00D452732B1

(12) **United States Design Patent**
Basagañas

(10) **Patent No.:** **US D452,732 S**

(45) **Date of Patent:** **** Jan. 1, 2002**

(54) **LOWER PORTION OF A SUBSTANCE
EVAPORATOR**

(76) **Inventor:** **Jordi Basagañas**, Argenters, 2-4-8,
Edificio 3C/P, Parc Tecnologic del
Valles, 08290 Cerdanyola del Valles
(Barcelona) (ES)

(**) **Term:** **14 Years**

(21) **Appl. No.:** **29/135,868**

(22) **Filed:** **Jan. 31, 2001**

Related U.S. Application Data

(62) Division of application No. 29/095,804, filed on Oct. 30,
1998.

(51) **LOC (7) Cl.** **23-04**

(52) **U.S. Cl.** **D23/366**

(58) **Field of Search** D23/366-369,
D23/360, 356-363; 428/305, 125; D9/560,
529, 503, 575; 239/136, 135; 392/395,
392, 403, 405

(56) **References Cited**

U.S. PATENT DOCUMENTS

D284,352 S * 6/1986 Thompson D9/370
D319,175 S * 8/1991 Ruesch D9/529
D335,530 S * 5/1993 Schimanski D23/366

* cited by examiner

Primary Examiner—Lisa Lichtenstein

(74) *Attorney, Agent, or Firm*—Rosenman & Colin LLP

(57) **CLAIM**

The ornamental design for a lower portion of a substance
evaporator, as shown and described.

DESCRIPTION

FIG. 1 is a front view of the lower portion with a cap thereon
of a substance evaporator showing my new design.

FIG. 2 is a right side view of FIG. 1;

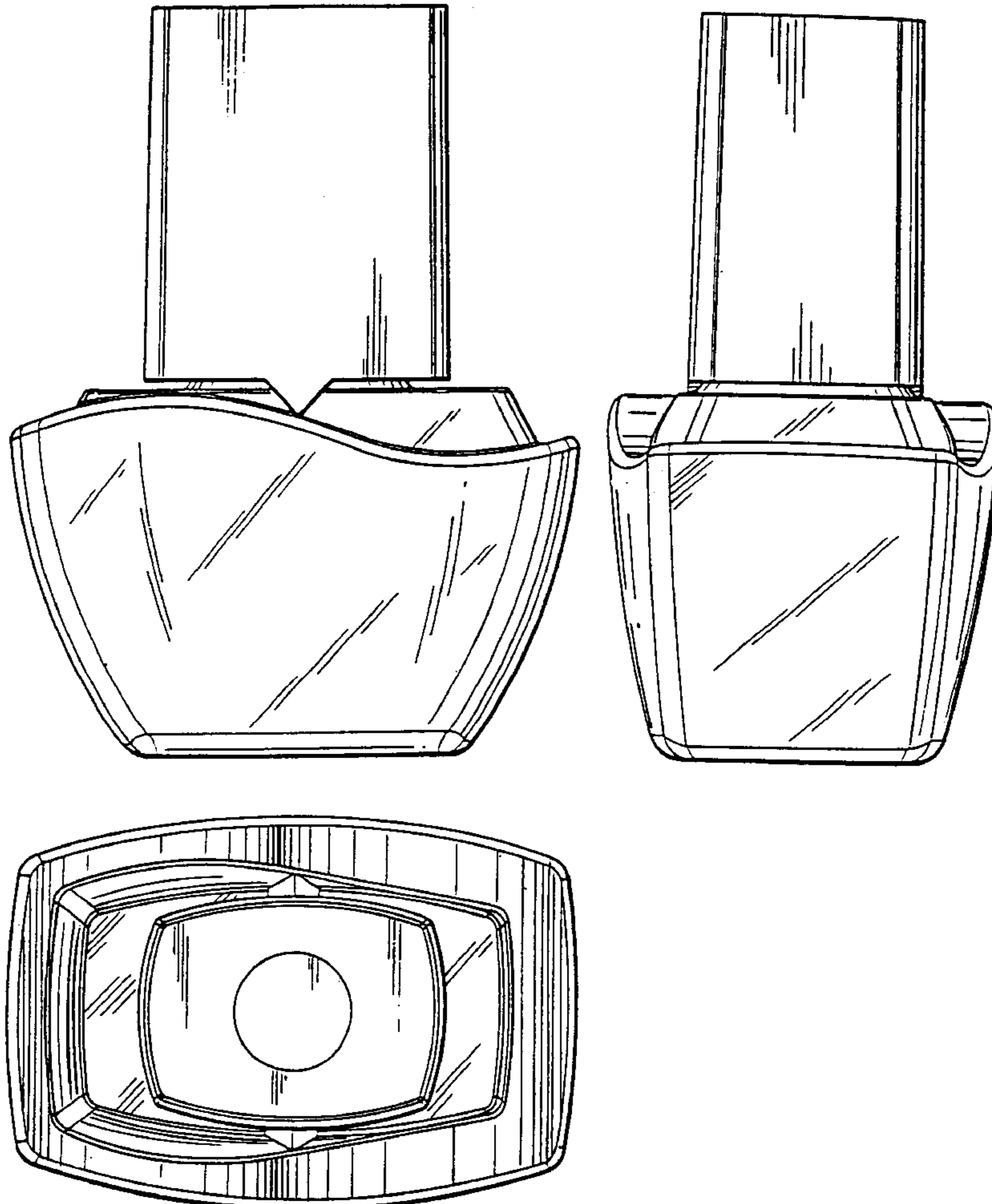
FIG. 3 is a top view of FIG. 1;

FIG. 4 is a rear view of FIG. 1;

FIG. 5 is a left side view of FIG. 1; and,

FIG. 6 is a bottom view of FIG. 1.

1 Claim, 2 Drawing Sheets



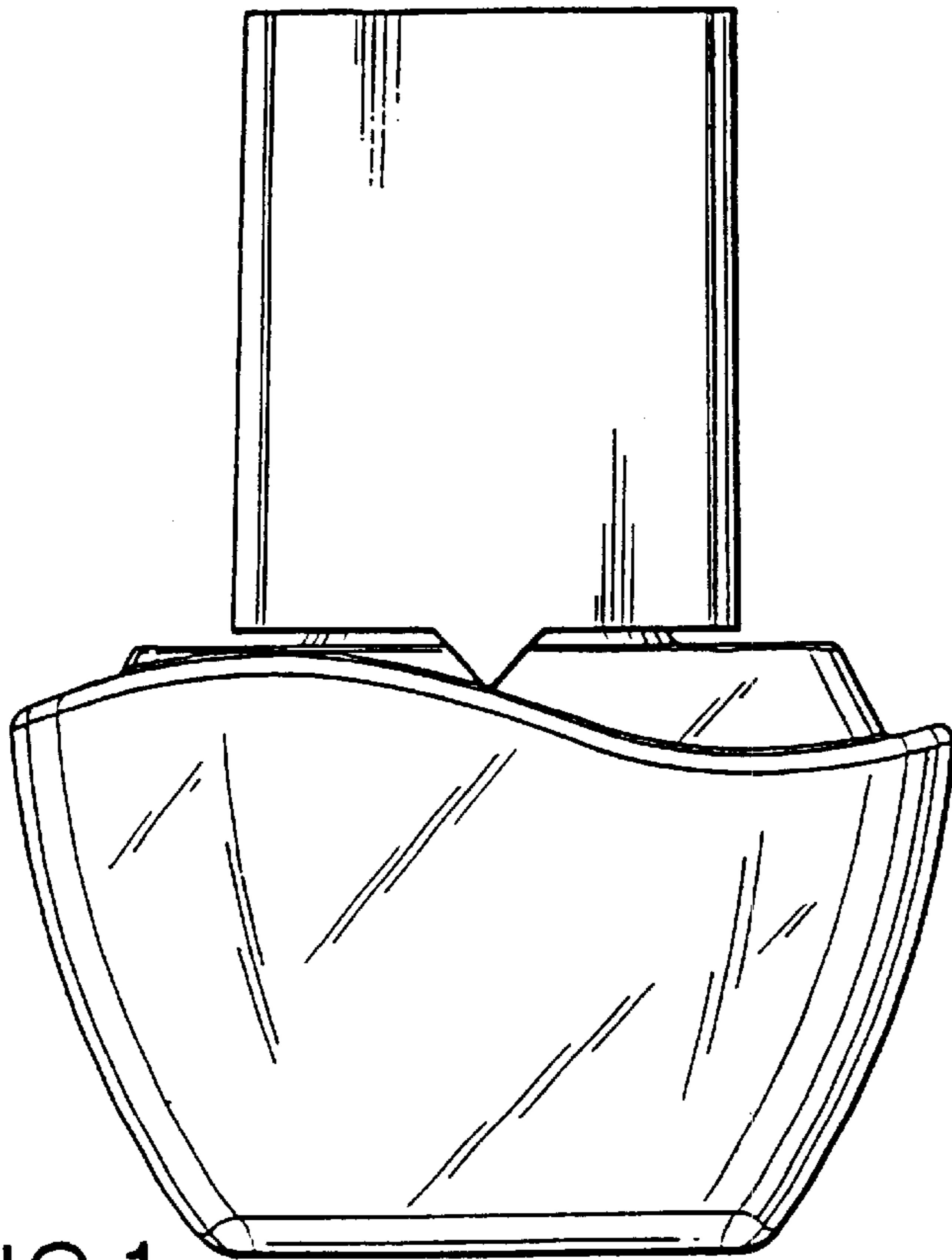


FIG. 1

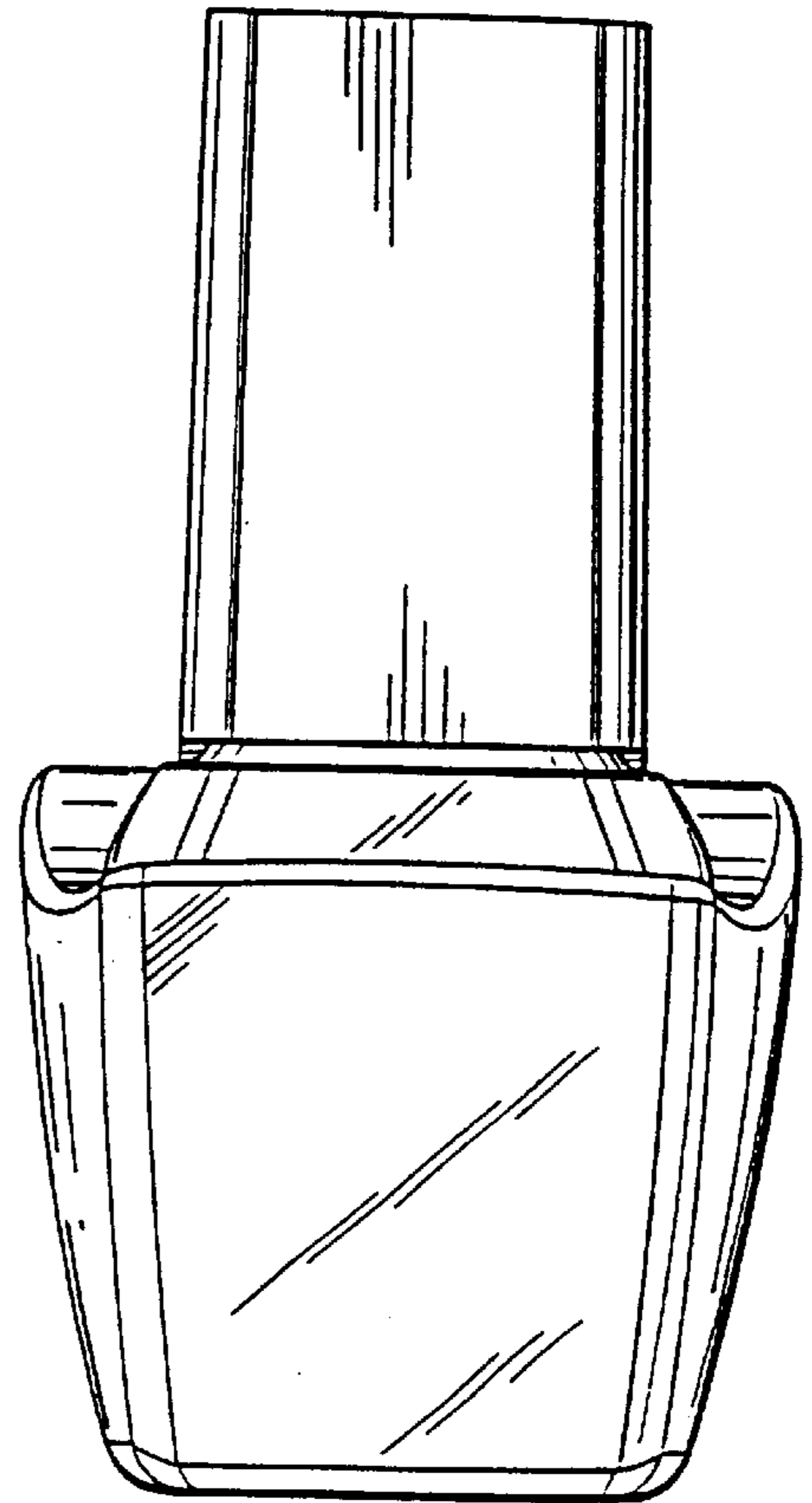


FIG. 2

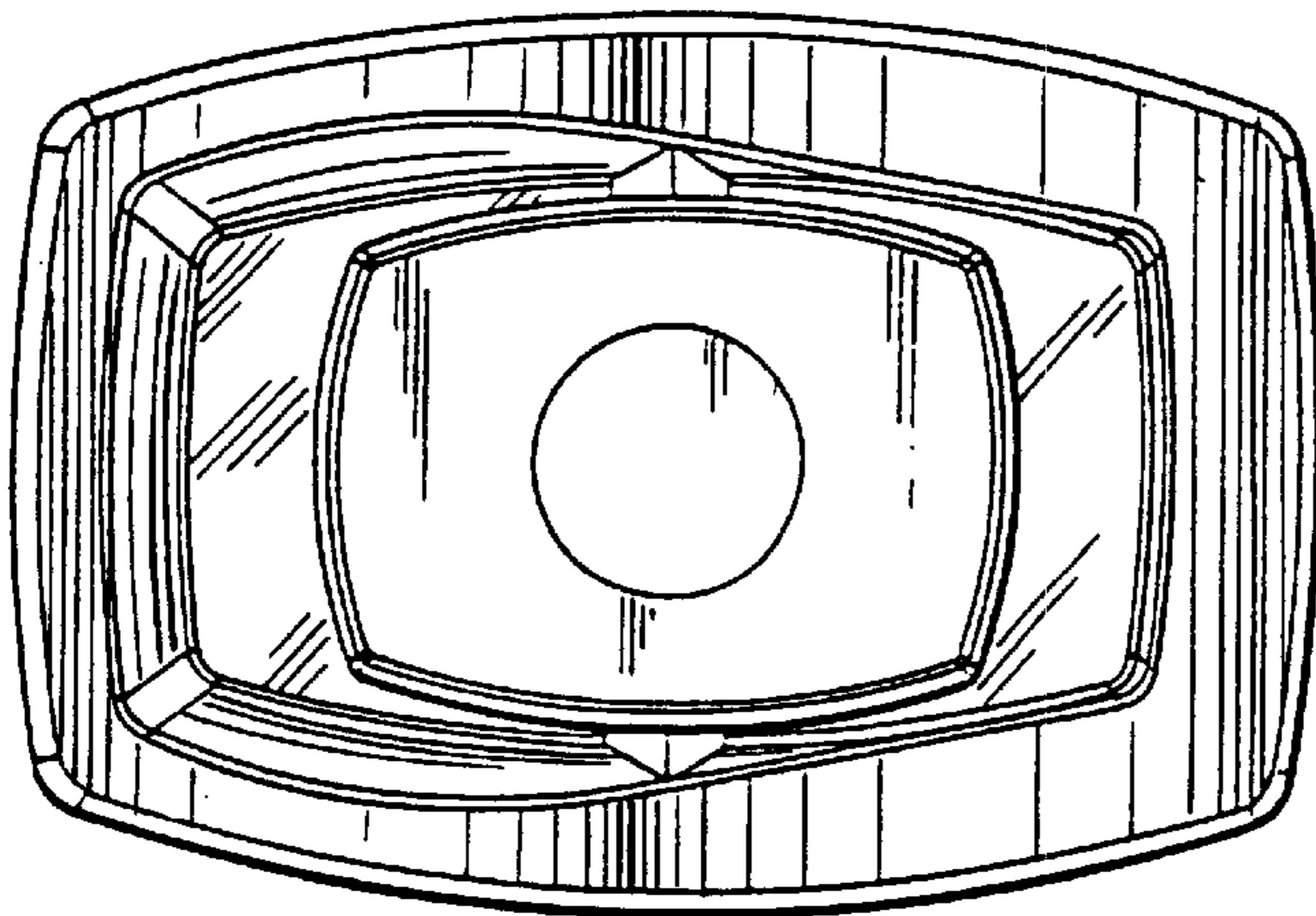


FIG. 3

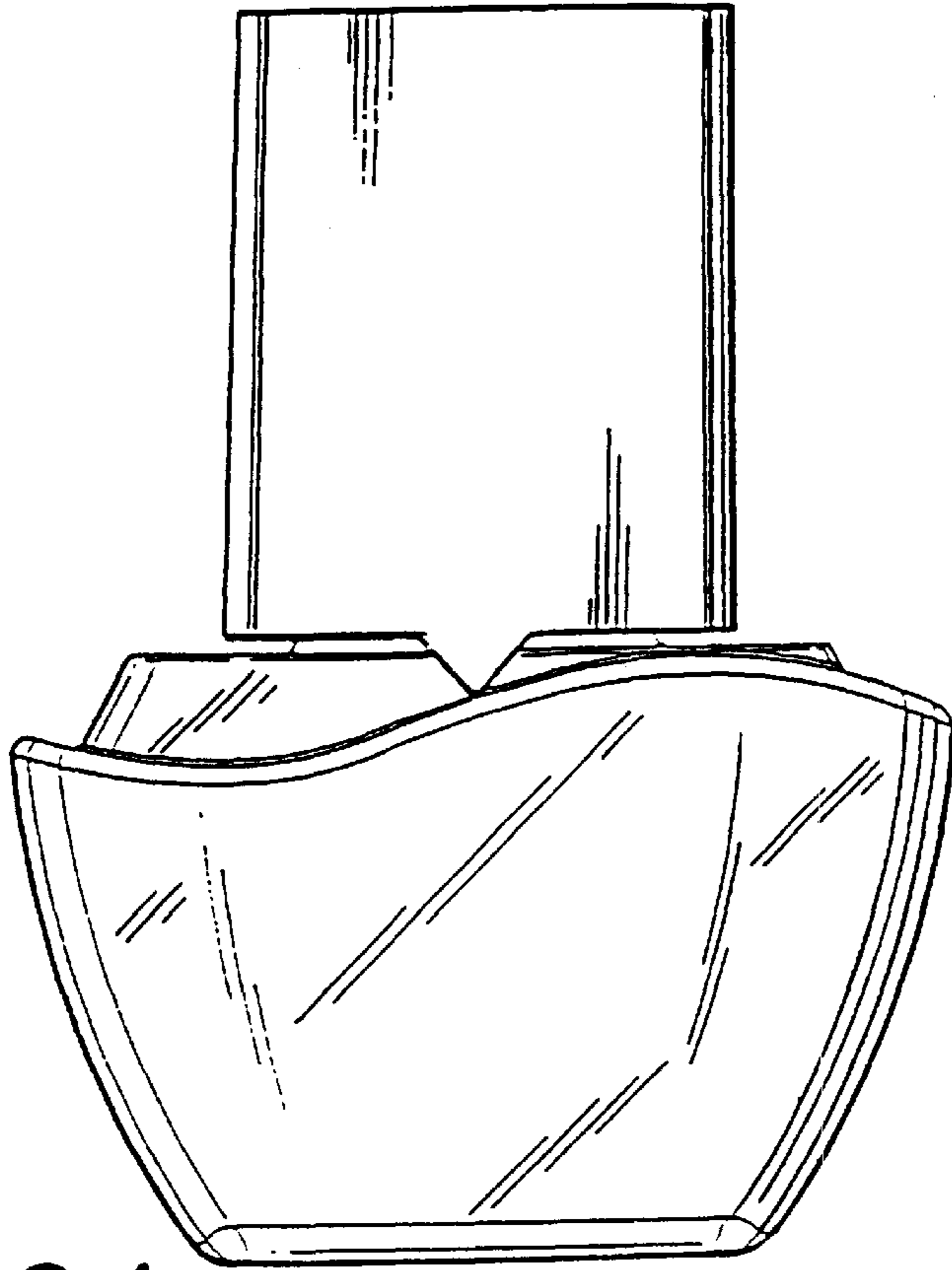


FIG. 4

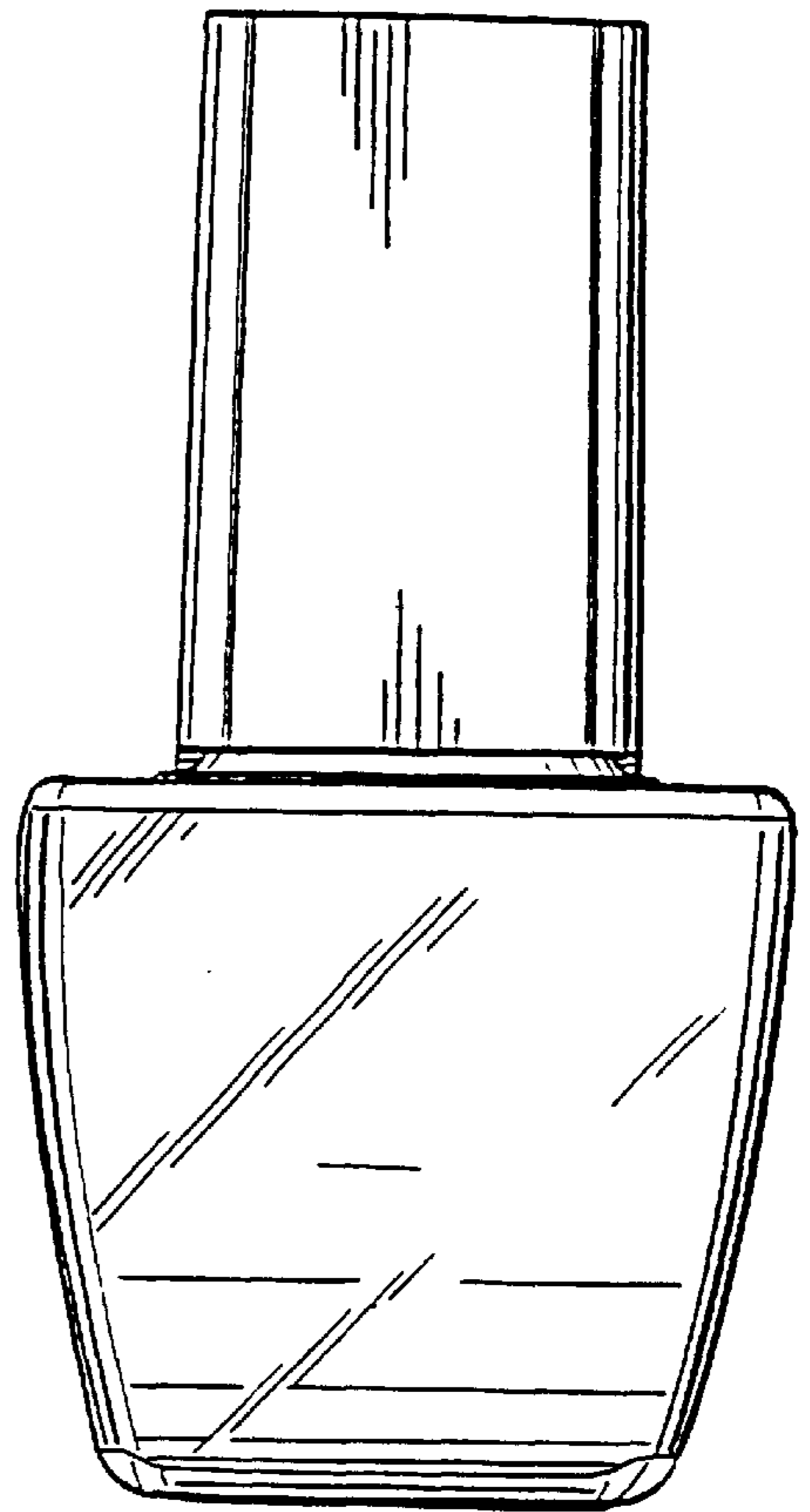


FIG. 5

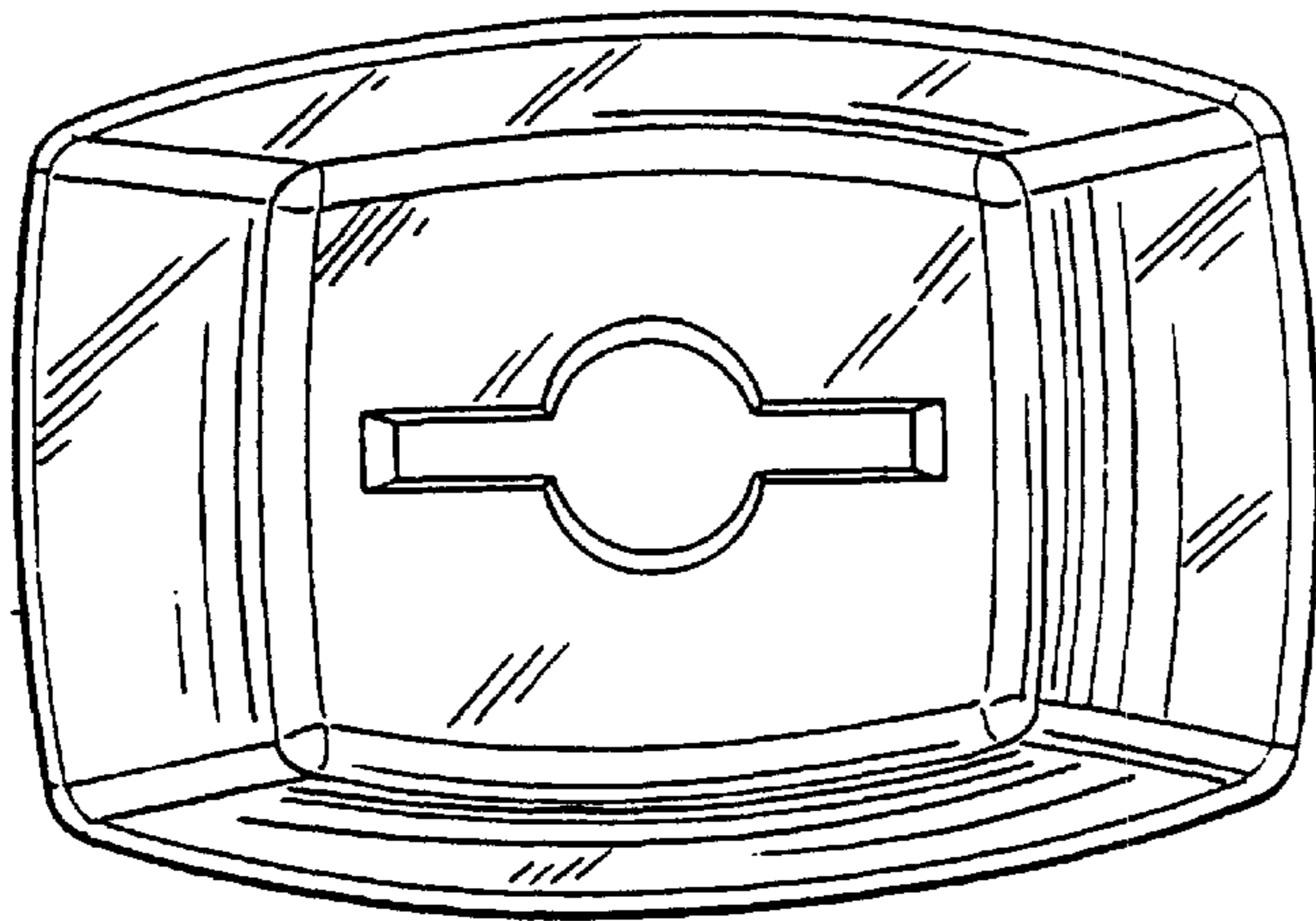


FIG. 6