



US00D452731B1

(12) **United States Design Patent**  
**Mito**

(10) **Patent No.:** **US D452,731 S**

(45) **Date of Patent:** **\*\* Jan. 1, 2002**

(54) **OIL-FIRED SPACE HEATER**

(75) Inventor: **Yoshio Mito, Aichi-ken (JP)**

(73) Assignee: **Toyotomi Company, Ltd., Nagoya (JP)**

(\*\*) Term: **14 Years**

(21) Appl. No.: **29/130,722**

(22) Filed: **Oct. 10, 2000**

(30) **Foreign Application Priority Data**

Apr. 10, 2000 (JP) ..... 00-009222

(51) **LOC (7) Cl.** ..... **23-03**

(52) **U.S. Cl.** ..... **D23/338**

(58) **Field of Search** ..... D23/332, 333-341;  
431/298, 302; 126/93-7, 92 B, 512, 544

(56) **References Cited**

**U.S. PATENT DOCUMENTS**

- D268,578 S \* 4/1983 Nakamura
- 4,440,147 A \* 4/1984 Amano et al. .... 126/92 B
- 4,519,775 A \* 5/1985 Tao et al. .... 126/96
- 4,556,045 A \* 12/1985 Nishikawa et al. .... 126/96

- D282,567 S \* 2/1986 Nakamura
- D285,335 S \* 8/1986 Kojima et al.
- D286,427 S \* 10/1986 Nakamura
- 4,653,464 A \* 3/1987 Kojima et al. .... 126/92 B
- D294,857 S \* 3/1988 Nakamura ..... D23/338

\* cited by examiner

*Primary Examiner*—B. J. Bullock

(74) *Attorney, Agent, or Firm*—Connolly Bove Lodge & Hutz, LLP

(57) **CLAIM**

The ornamental design for an oil-fired space heater, as shown and described.

**DESCRIPTION**

FIG. 1 is a front view thereof;  
 FIG. 2 is a rear view thereof;  
 FIG. 3 is a left side view thereof;  
 FIG. 4 is a right side view thereof;  
 FIG. 5 is a top plan view thereof; and,  
 FIG. 6 is a bottom plan view thereof.  
 The broken lines in FIG. 2 illustrate a recessed structure that is not part of the claimed design.

**1 Claim, 3 Drawing Sheets**

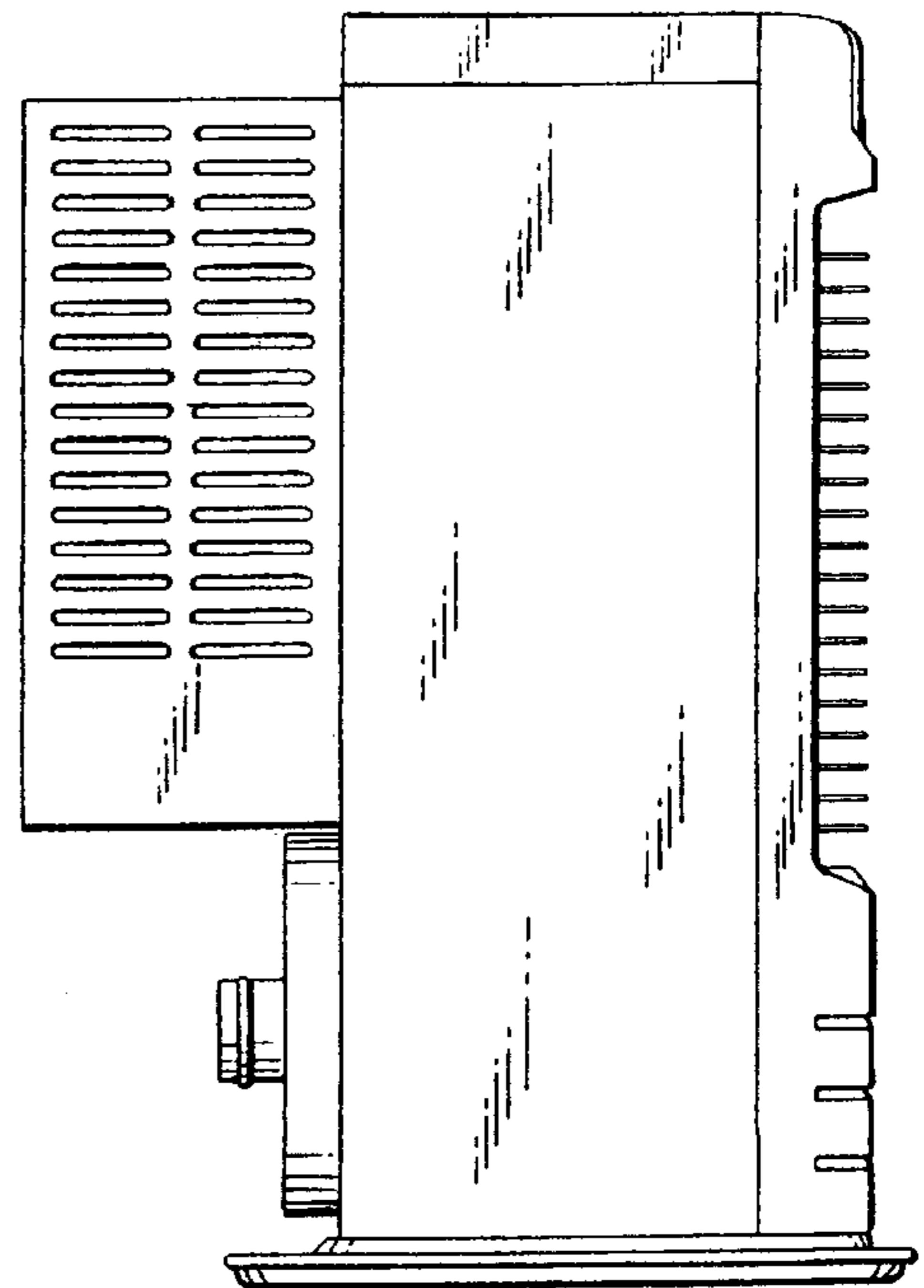
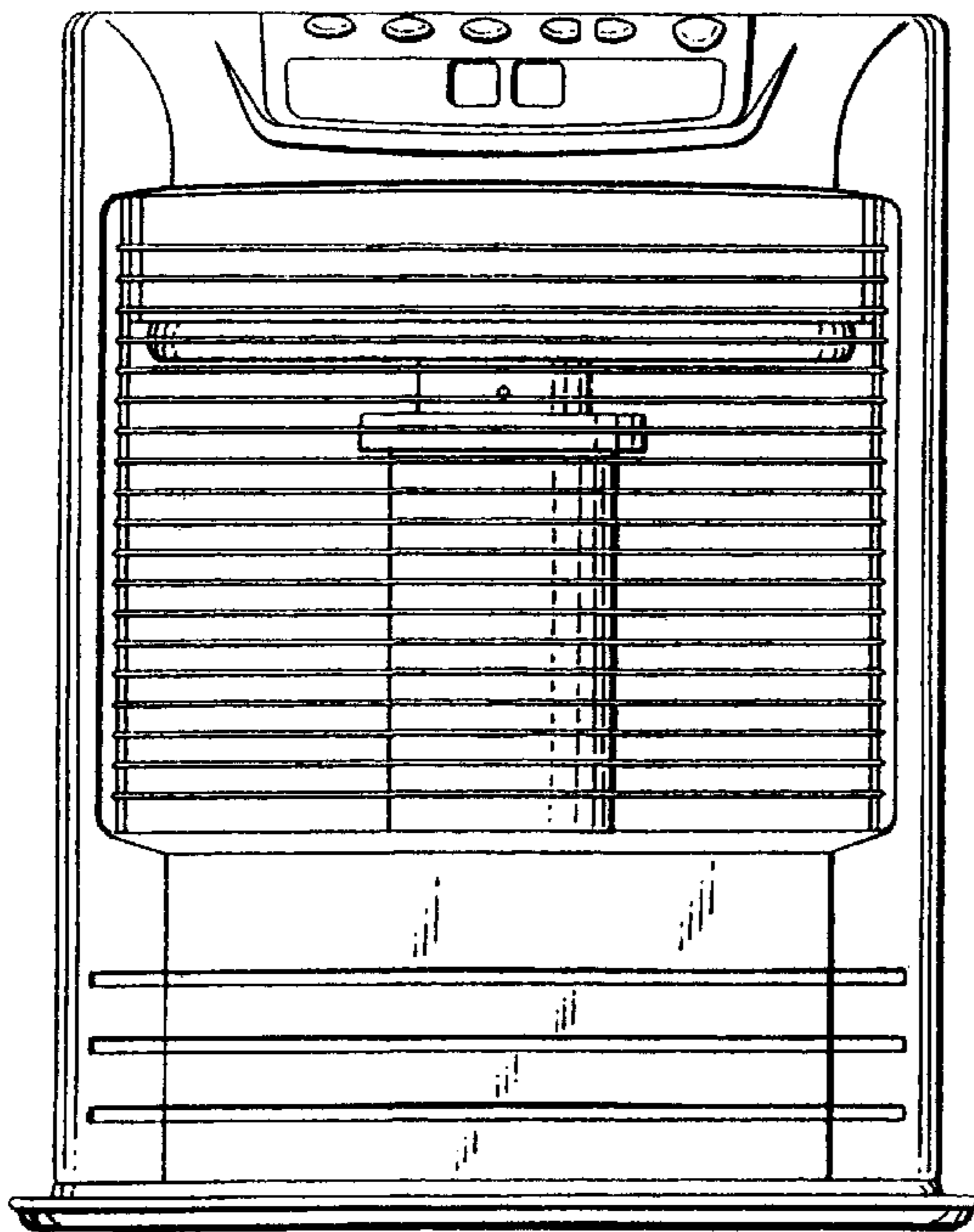


FIG. 2

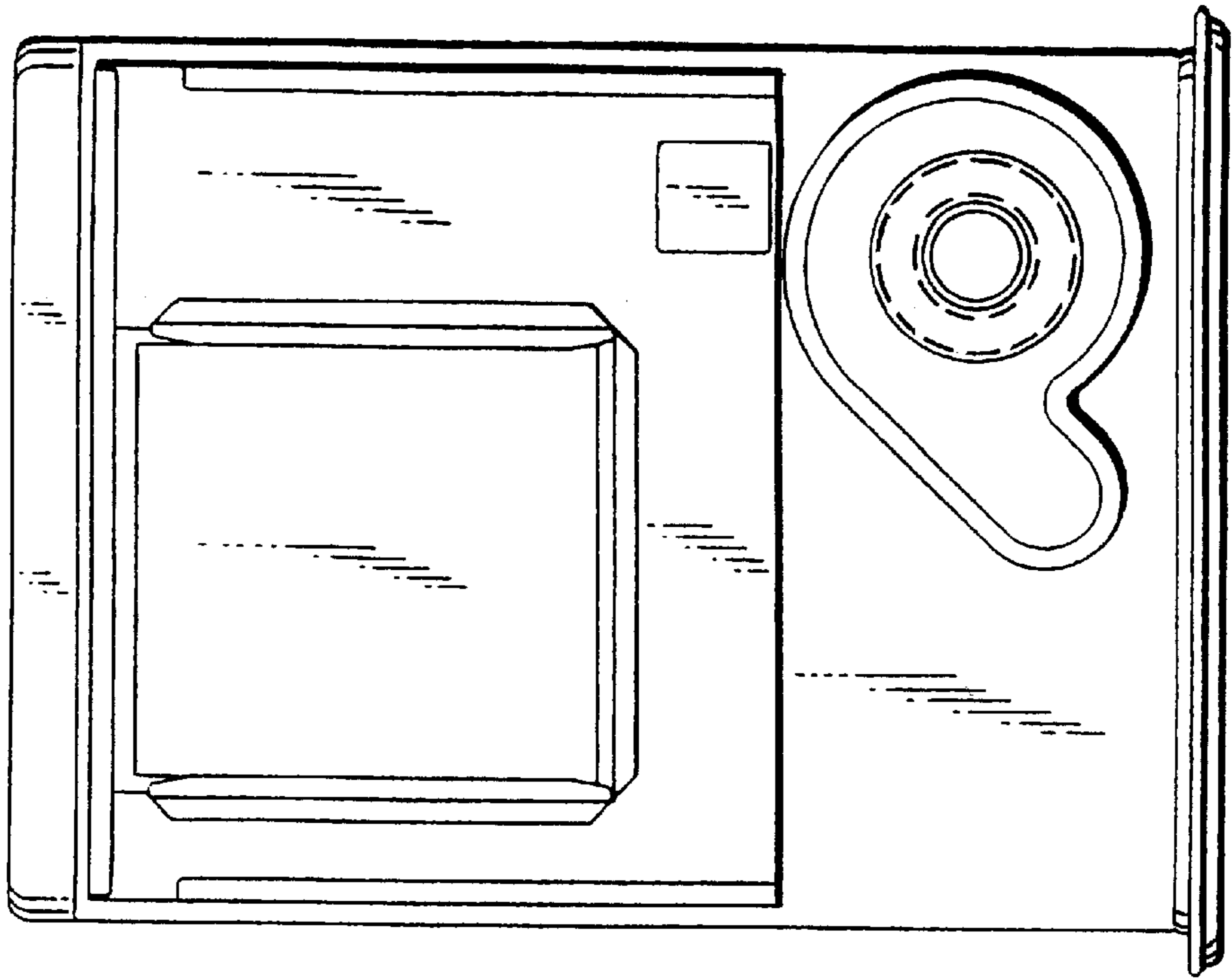
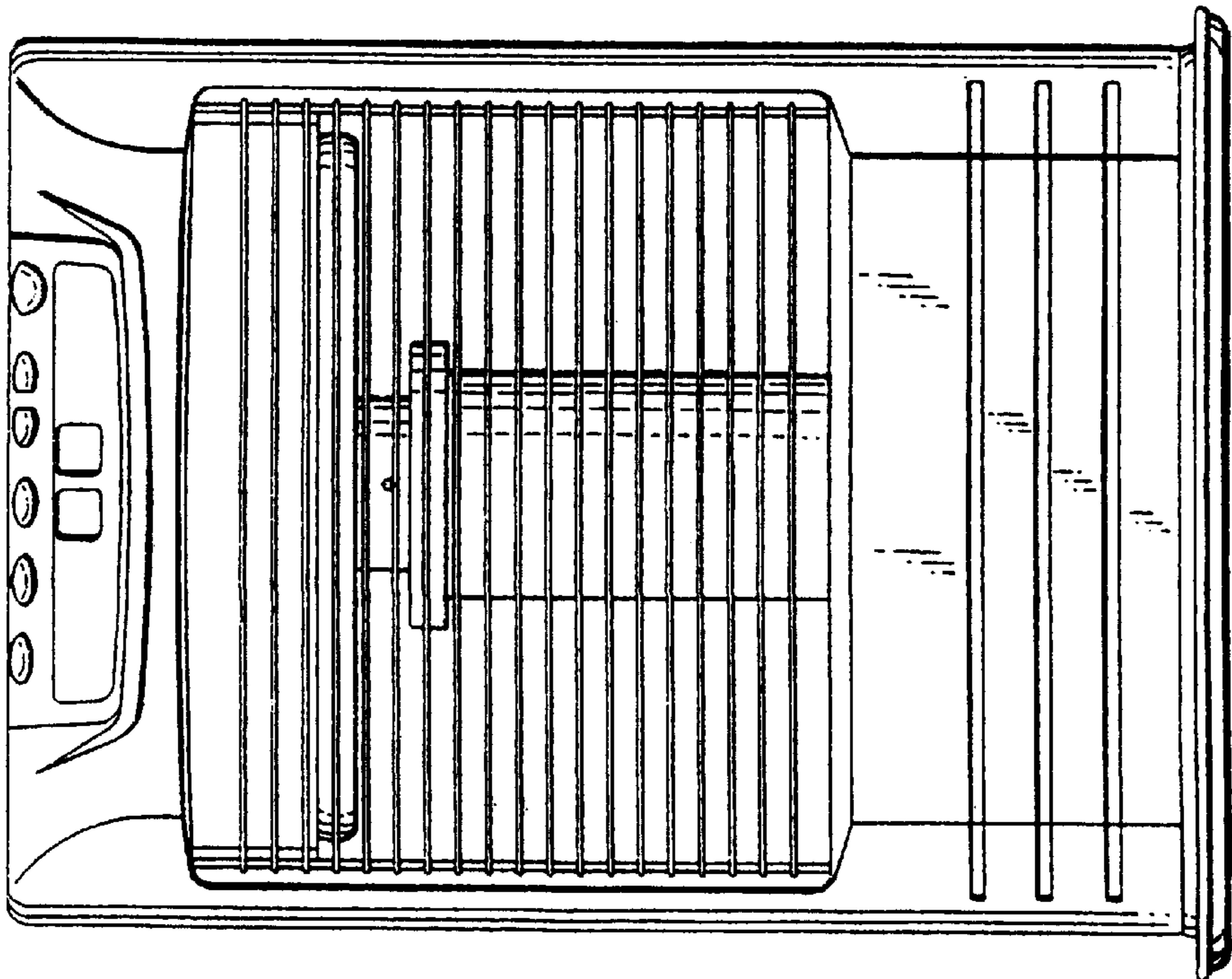


FIG. 1



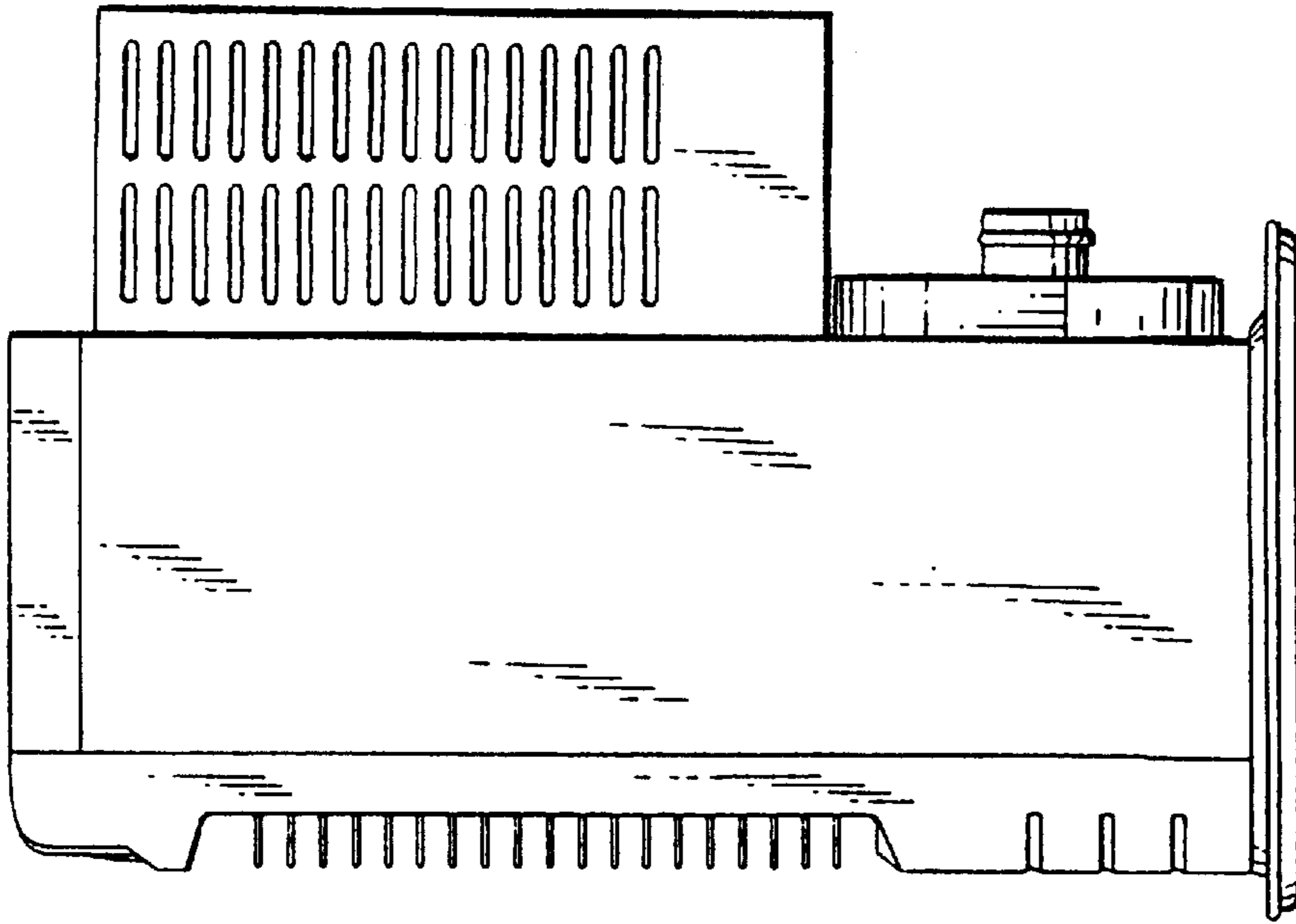


FIG. 4

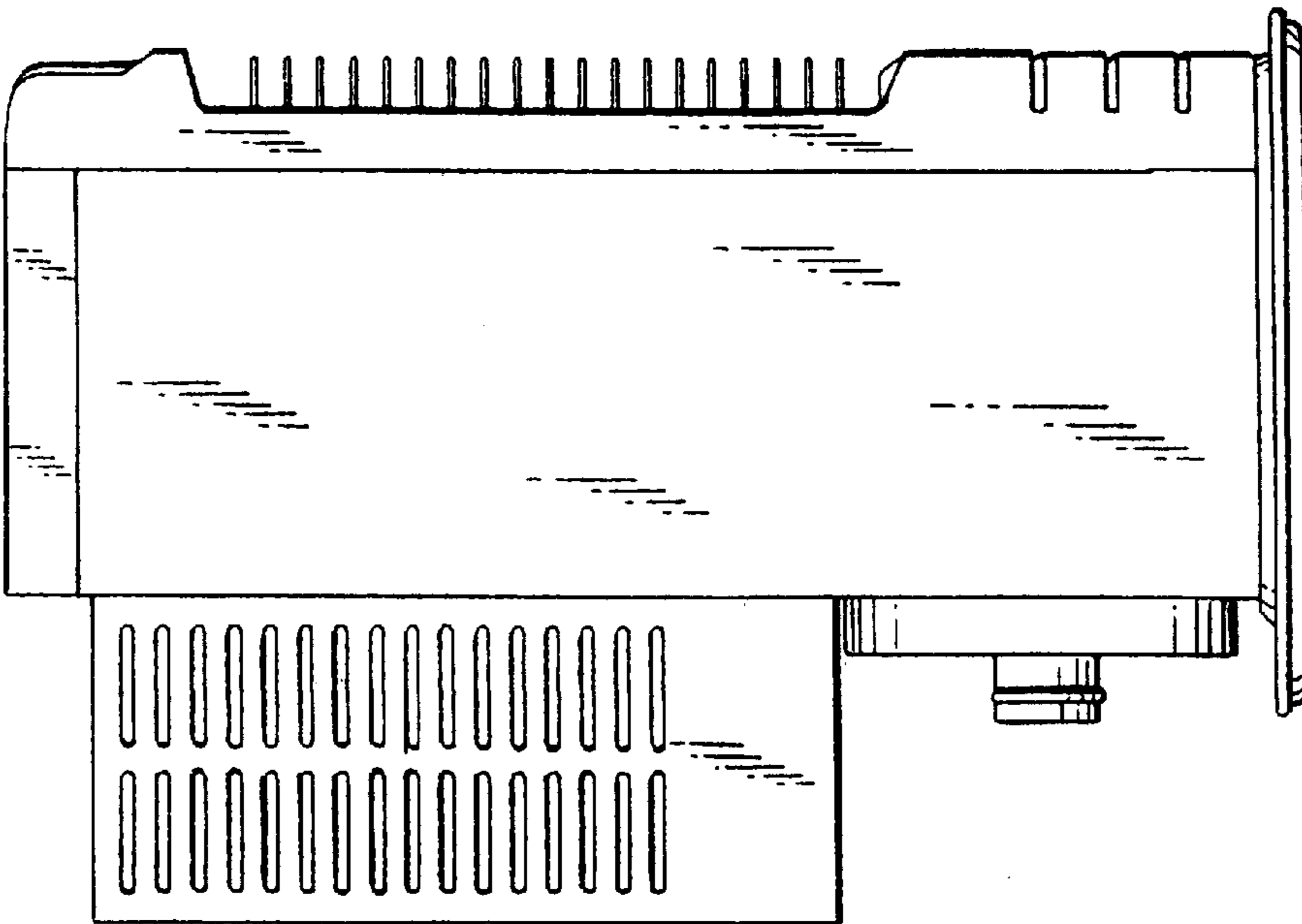


FIG. 3

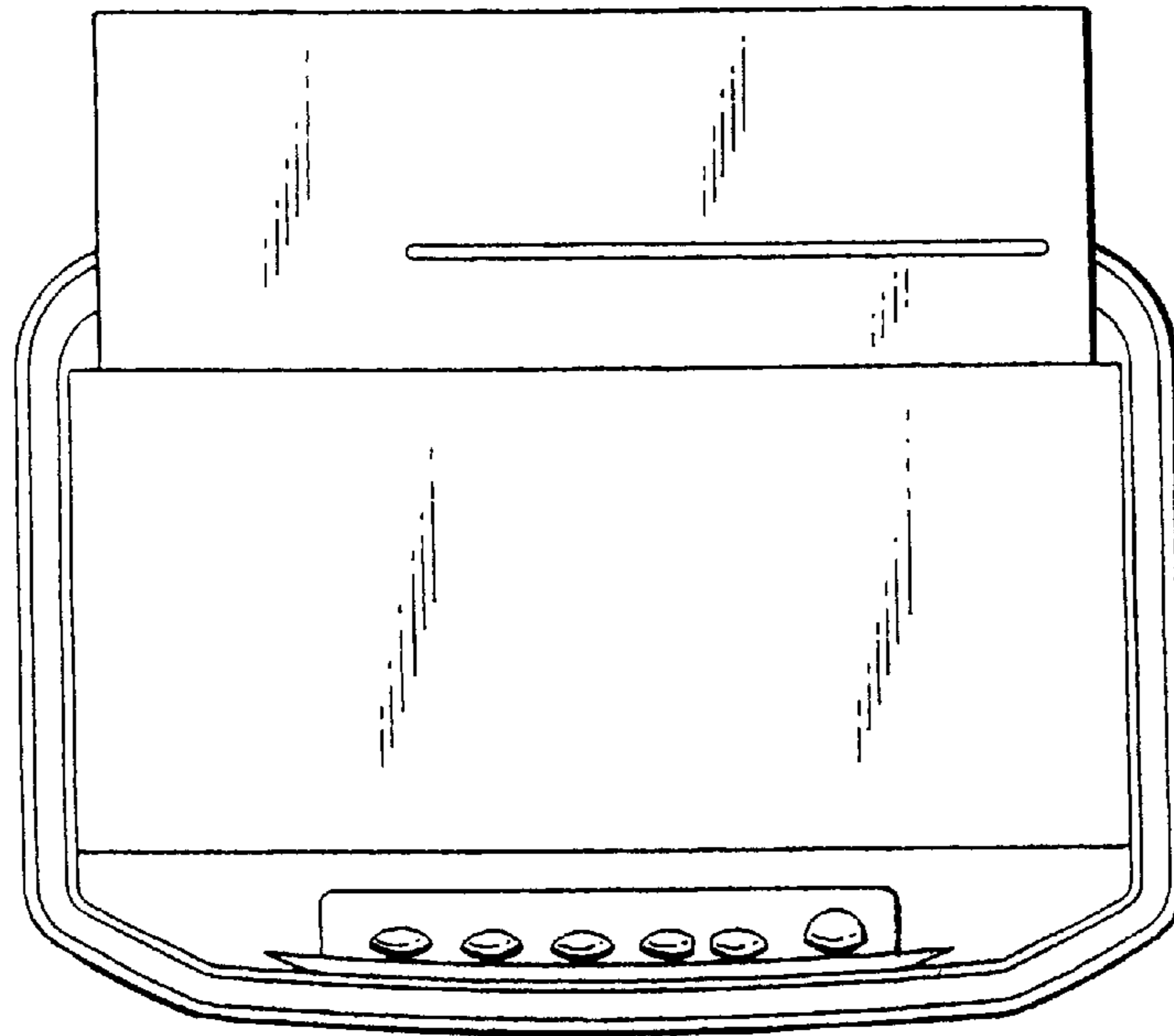


FIG. 5

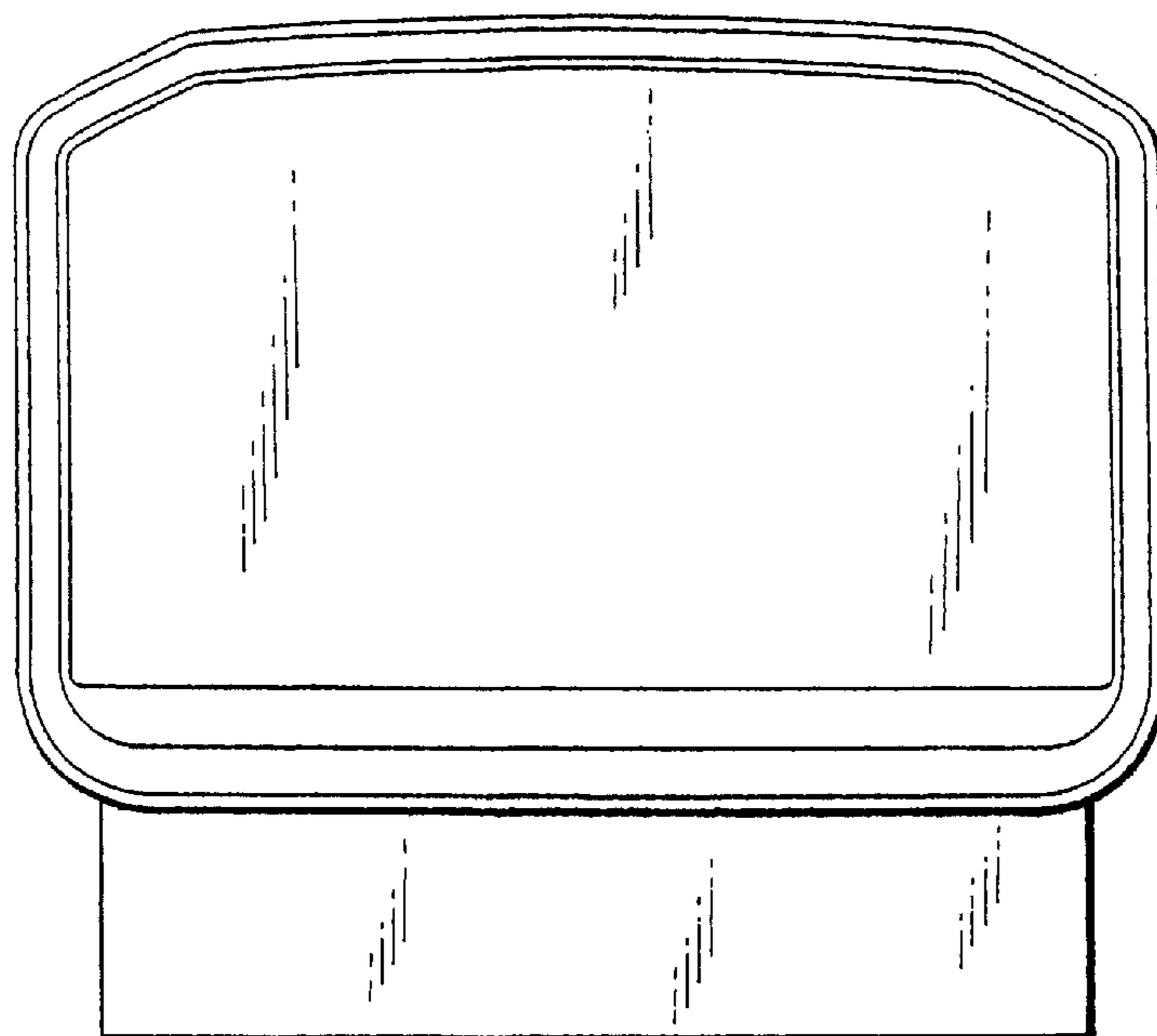


FIG. 6