



US00D452730B1

(12) **United States Design Patent**
Mito

(10) **Patent No.:** **US D452,730 S**

(45) **Date of Patent:** **** Jan. 1, 2002**

(54) **OIL-FIRED SPACE HEATER**

(75) Inventor: **Yoshio Mito, Aichi-ken (JP)**

(73) Assignee: **Toyotomi Company, Ltd., Nagoyo (JP)**

(**) Term: **14 Years**

(21) Appl. No.: **29/130,721**

(22) Filed: **Oct. 10, 2000**

(30) **Foreign Application Priority Data**

Apr. 10, 2000 (JP) 12-009221

(51) **LOC (7) Cl.** **23-03**

(52) **U.S. Cl.** **D23/338**

(58) **Field of Search** D23/332, 333-341;
126/92 B, 937-572, 544; 431/298, 302

(56) **References Cited**

U.S. PATENT DOCUMENTS

- D268,518 S * 4/1983 Nakamura
- 4,440,147 A * 4/1984 Amano et al. 126/92 B
- 4,519,775 A * 5/1985 Tao et al. 126/96
- 4,556,045 A * 12/1985 Nishikawa et al. 126/96

- D282,567 S * 2/1986 Nakamura
- D285,335 S * 8/1986 Kojima et al.
- D286,427 S * 10/1986 Nakamura
- 4,653,464 A * 3/1987 Kojima et al. 126/92 B
- D294,857 S * 3/1988 Nakamura D23/338

* cited by examiner

Primary Examiner—B. J. Bullock

(74) *Attorney, Agent, or Firm*—Connolly Bove Lodge & Hutz, LLP

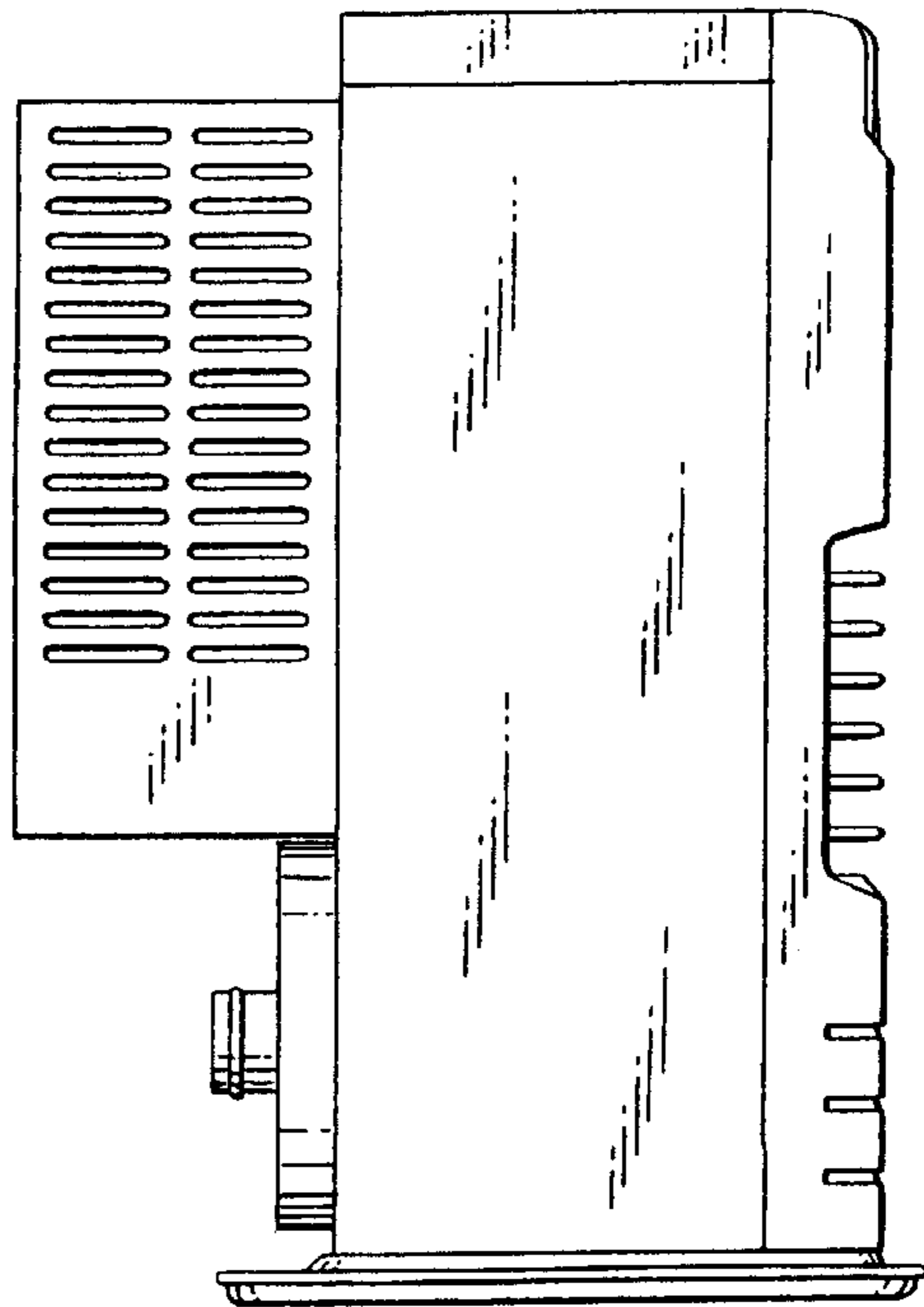
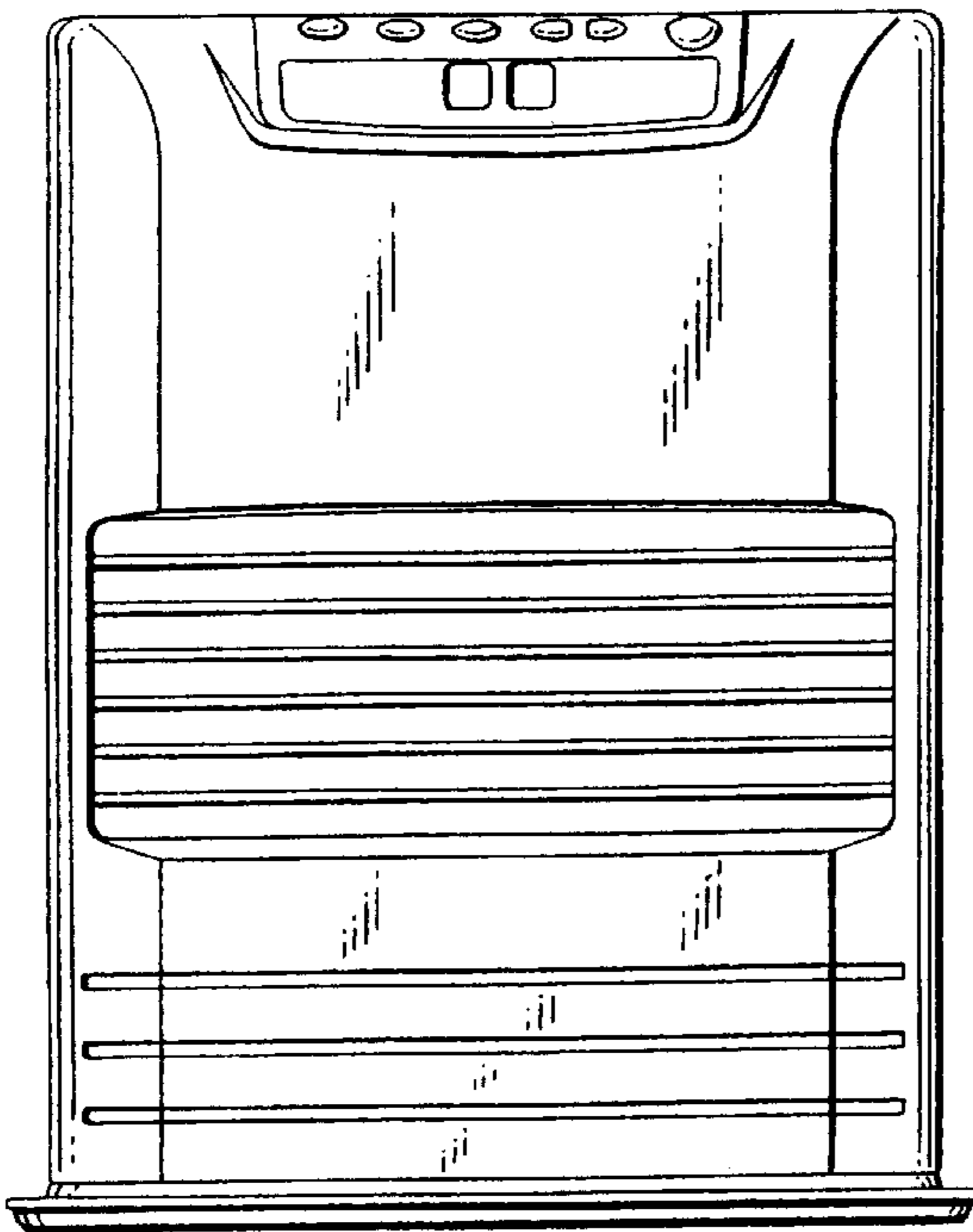
(57) **CLAIM**

The ornamental design for an oil-fired space heater, as shown and described.

DESCRIPTION

FIG. 1 is a front view thereof;
 FIG. 2 is a rear view thereof;
 FIG. 3 is a left side view thereof;
 FIG. 4 is a right side view thereof;
 FIG. 5 is a top plan view thereof; and,
 FIG. 6 is bottom plan view thereof.
 The broken lines in FIG. 2 illustrate a recessed structure that is not part of the claimed design.

1 Claim, 3 Drawing Sheets



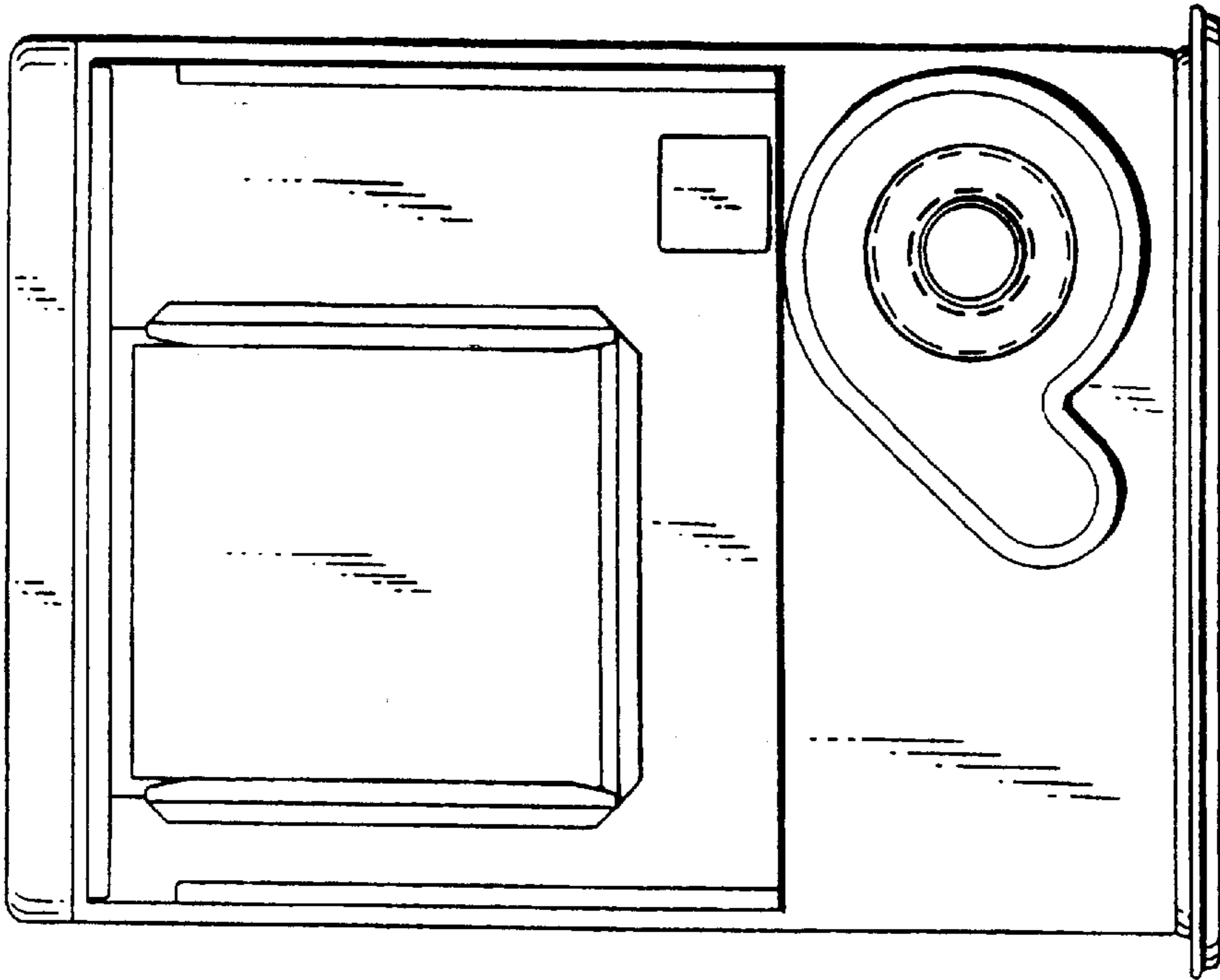


FIG. 2

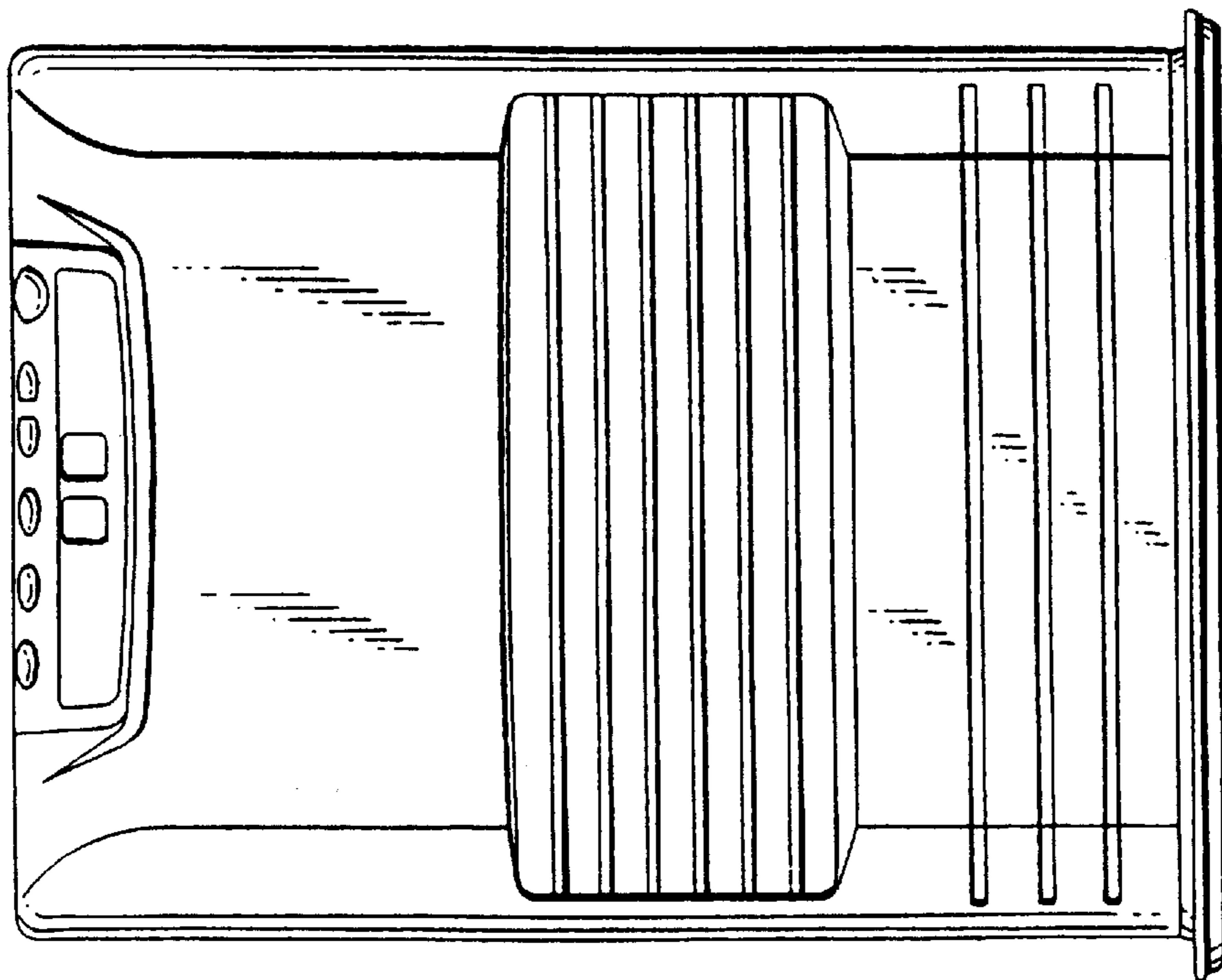


FIG. 1

FIG. 4

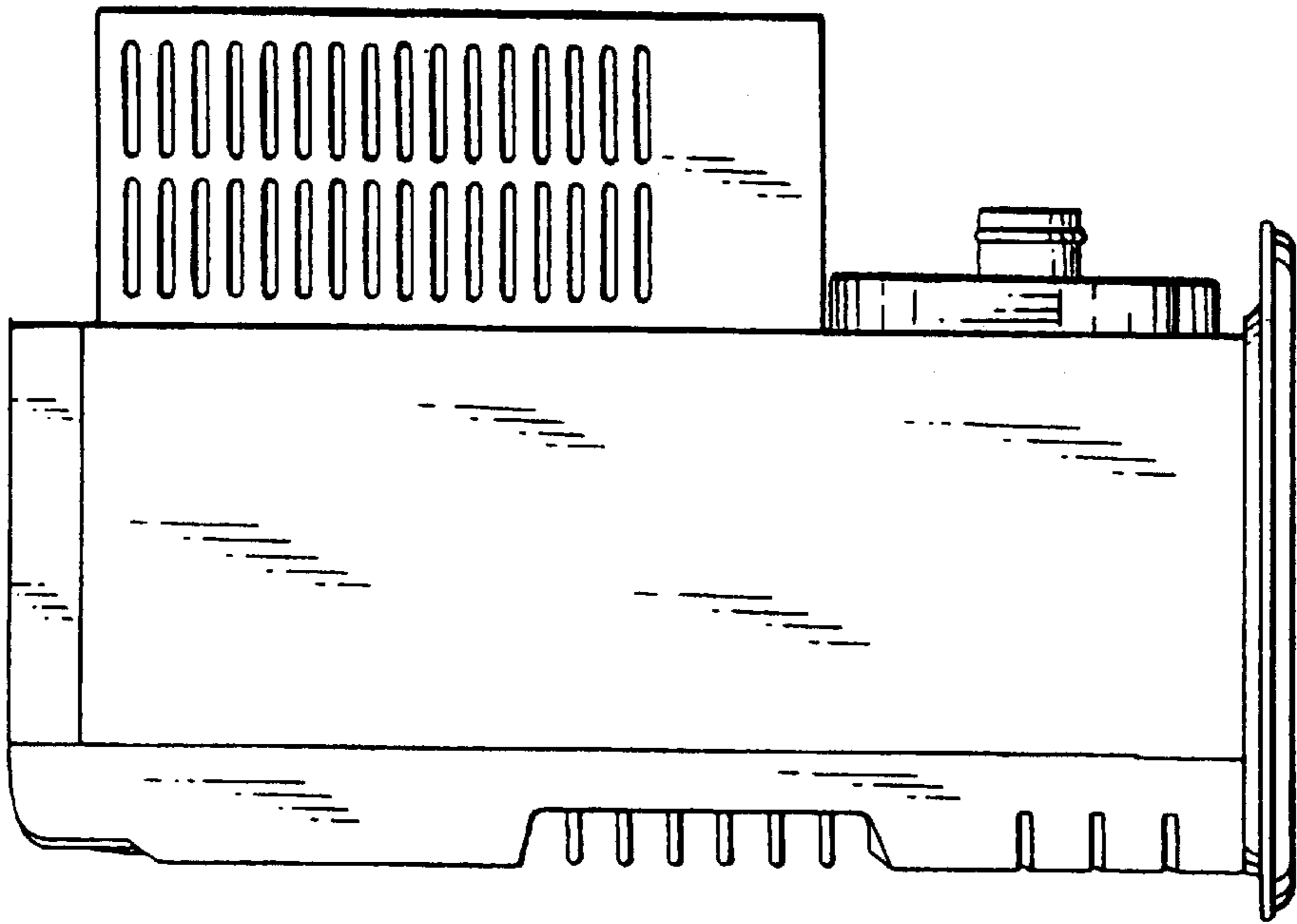
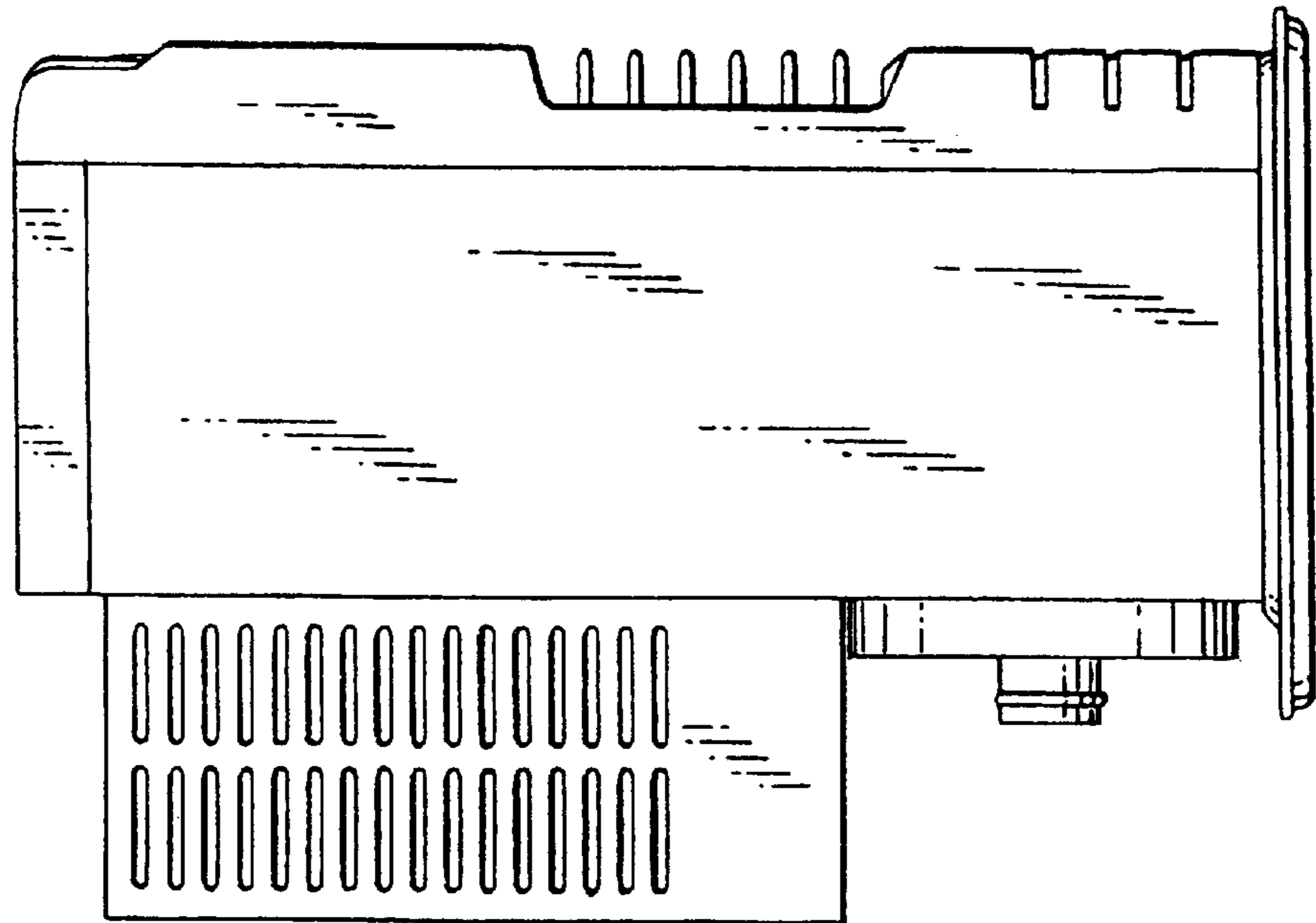


FIG. 3



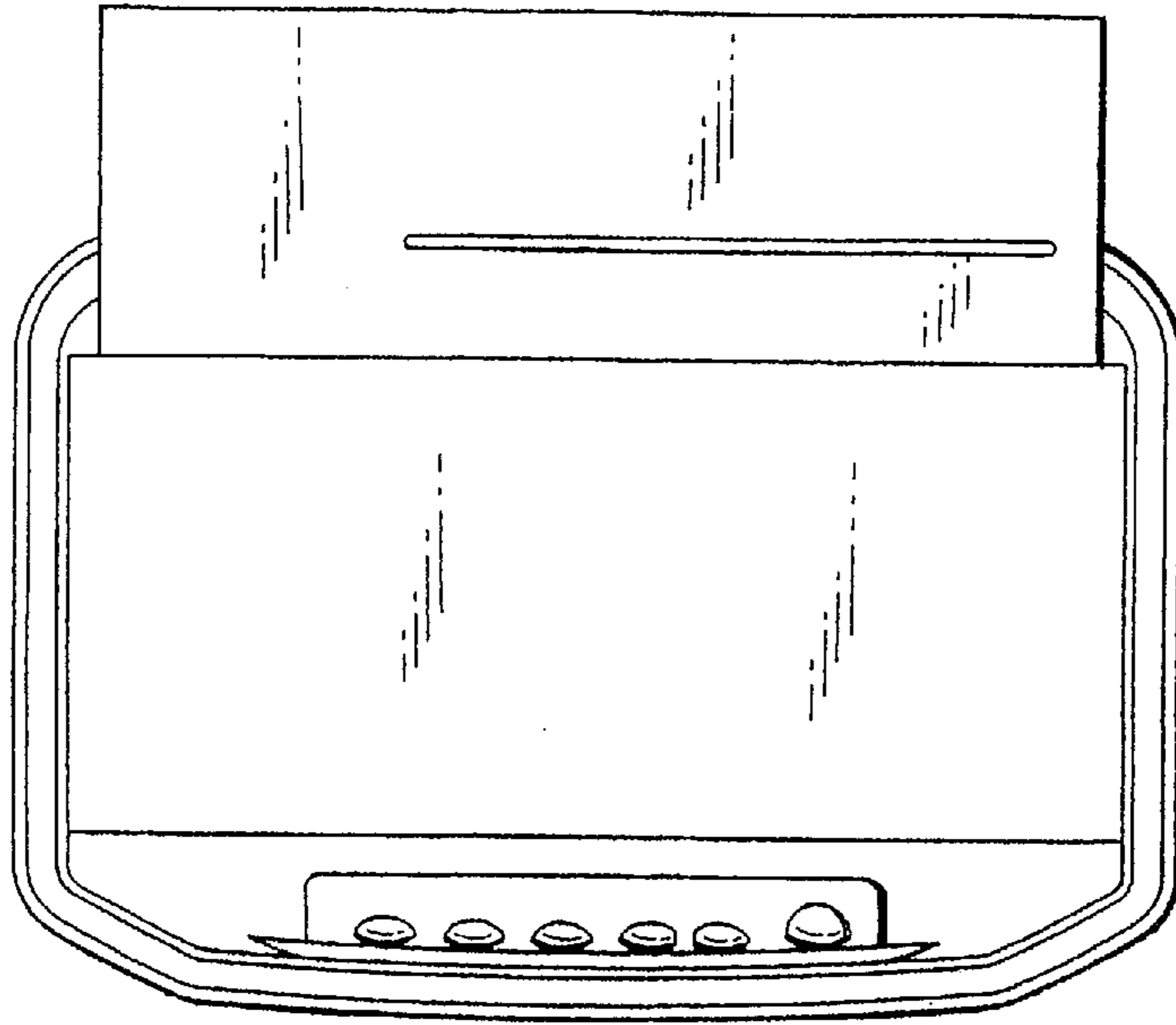


FIG. 5

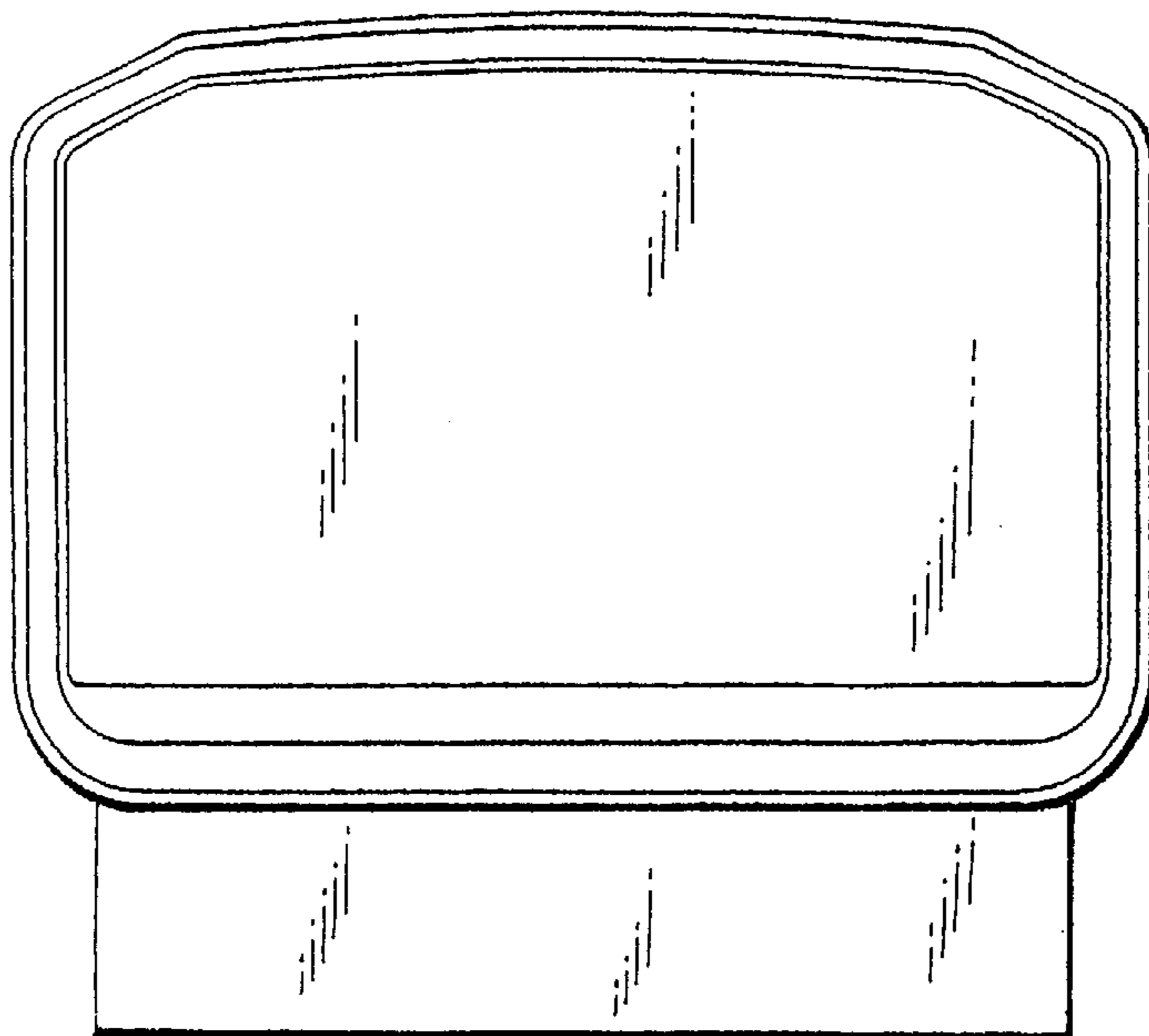


FIG. 6