



US00D452729B1

(12) **United States Design Patent**
Moneo-Feduchi

(10) **Patent No.:** **US D452,729 S**
(45) **Date of Patent:** **** Jan. 1, 2002**

(54) **PERSONAL ENCLOSURE**

(75) Inventor: **Belen Moneo-Feduchi**, New York, NY
(US)

(73) Assignee: **Moneo Brock Studio**, New York, NY
(US)

(**) Term: **14 Years**

(21) Appl. No.: **29/138,967**

(22) Filed: **Mar. 23, 2001**

(51) **LOC (7) Cl.** **23-02**

(52) **U.S. Cl.** **D23/305**

(58) **Field of Search** D23/275, 283,
D23/304-306; 4/552, 596-600, 604, 612-615;
607/81-82

(56) **References Cited**

U.S. PATENT DOCUMENTS

D230,853 S	*	3/1974	Lax	D23/305
D319,093 S	*	8/1991	Dannenberg et al.	D23/275
D321,929 S	*	11/1991	Dannenberg et al.	D23/305
D333,700 S	*	3/1993	Barrett, Sr.	D23/305
D372,520 S	*	8/1996	Jacuzzi et al.	D23/275
D374,916 S	*	10/1996	Casden	D23/283

* cited by examiner

Primary Examiner—Stella Reid

Assistant Examiner—Robert A. Delehanty

(74) *Attorney, Agent, or Firm*—Fitzpatrick, Cella, Harper & Scinto

(57) **CLAIM**

The ornamental design for a personal enclosure, as shown and described.

DESCRIPTION

FIG. 1 is a perspective view of the front of a transparent personal enclosure (provided in an environment in which it is used as a shower stall), mounted against a flat wall, in accordance with the present invention;

FIG. 2 is a top view of the personal enclosure shown in FIG. 1;

FIG. 3 is a side view of the personal enclosure shown in FIG. 1 (i.e., from the side at which a person would enter the personal enclosure); and,

FIG. 4 is a front view of the personal enclosure shown in FIG. 1 (i.e., a view taken from the same side as in FIG. 1).

The broken line showing of a wall and sink is for illustrative purposes only and forms no part of the claimed design.

1 Claim, 4 Drawing Sheets

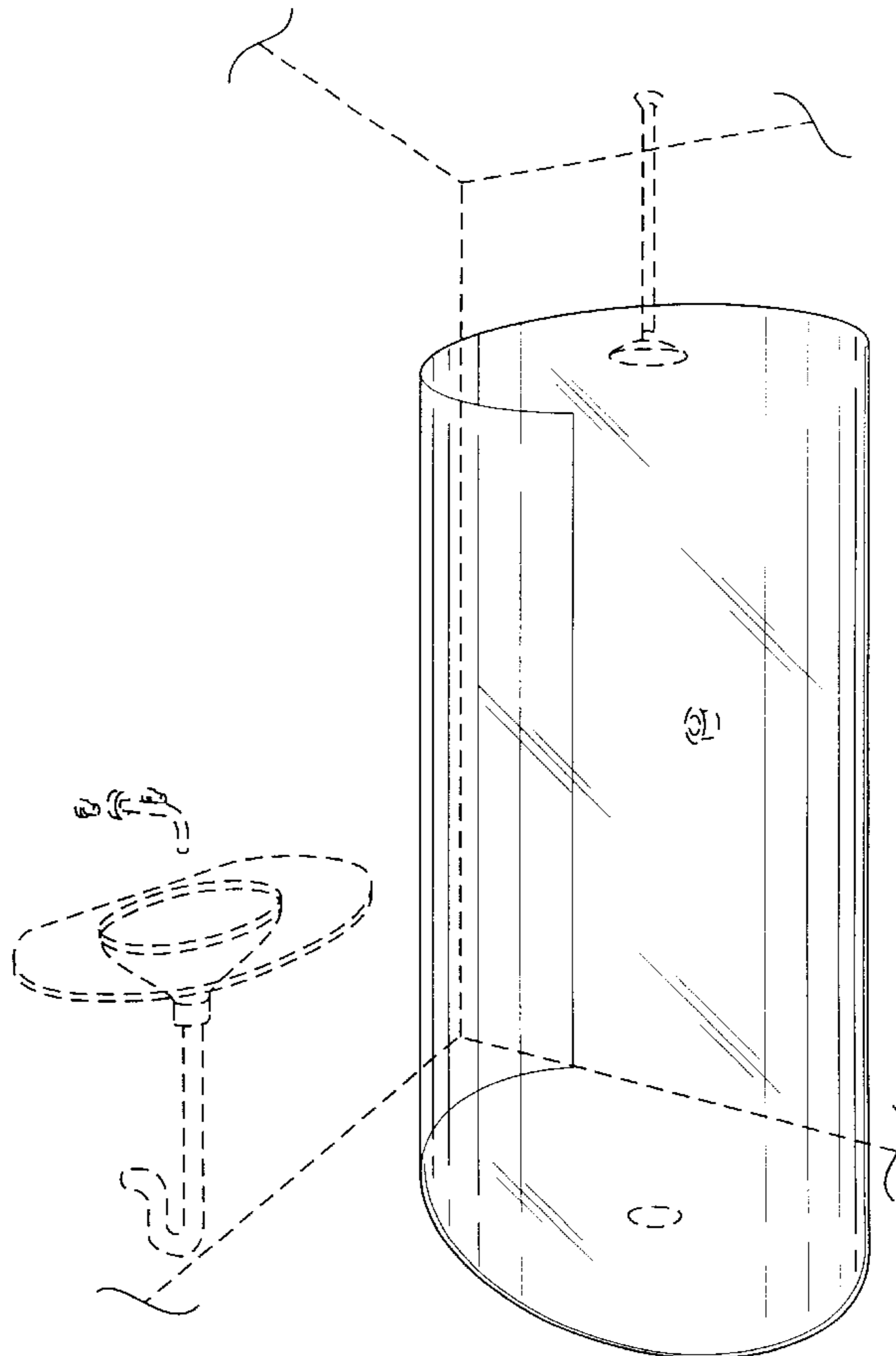


FIG. 1

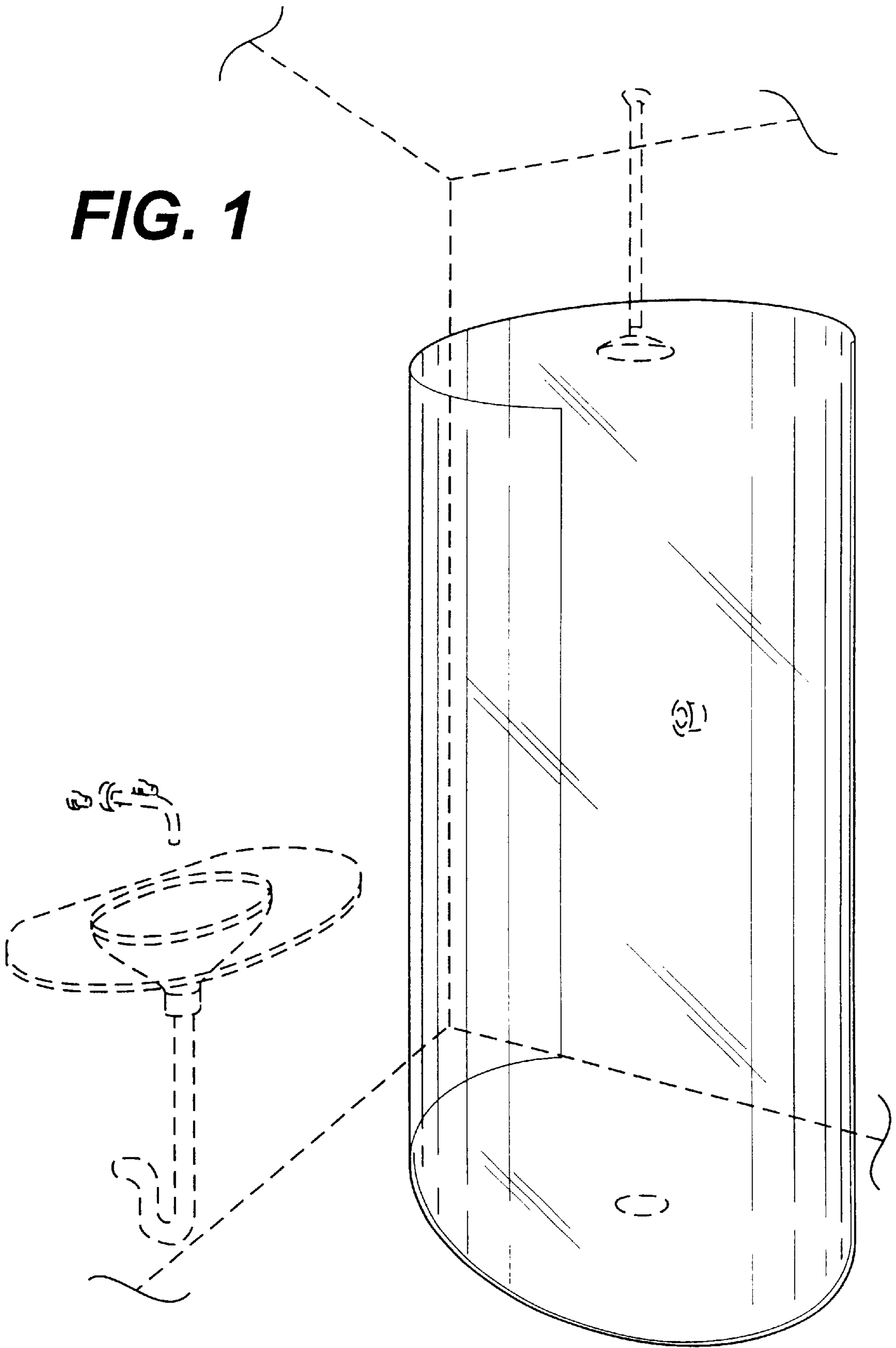


FIG. 2

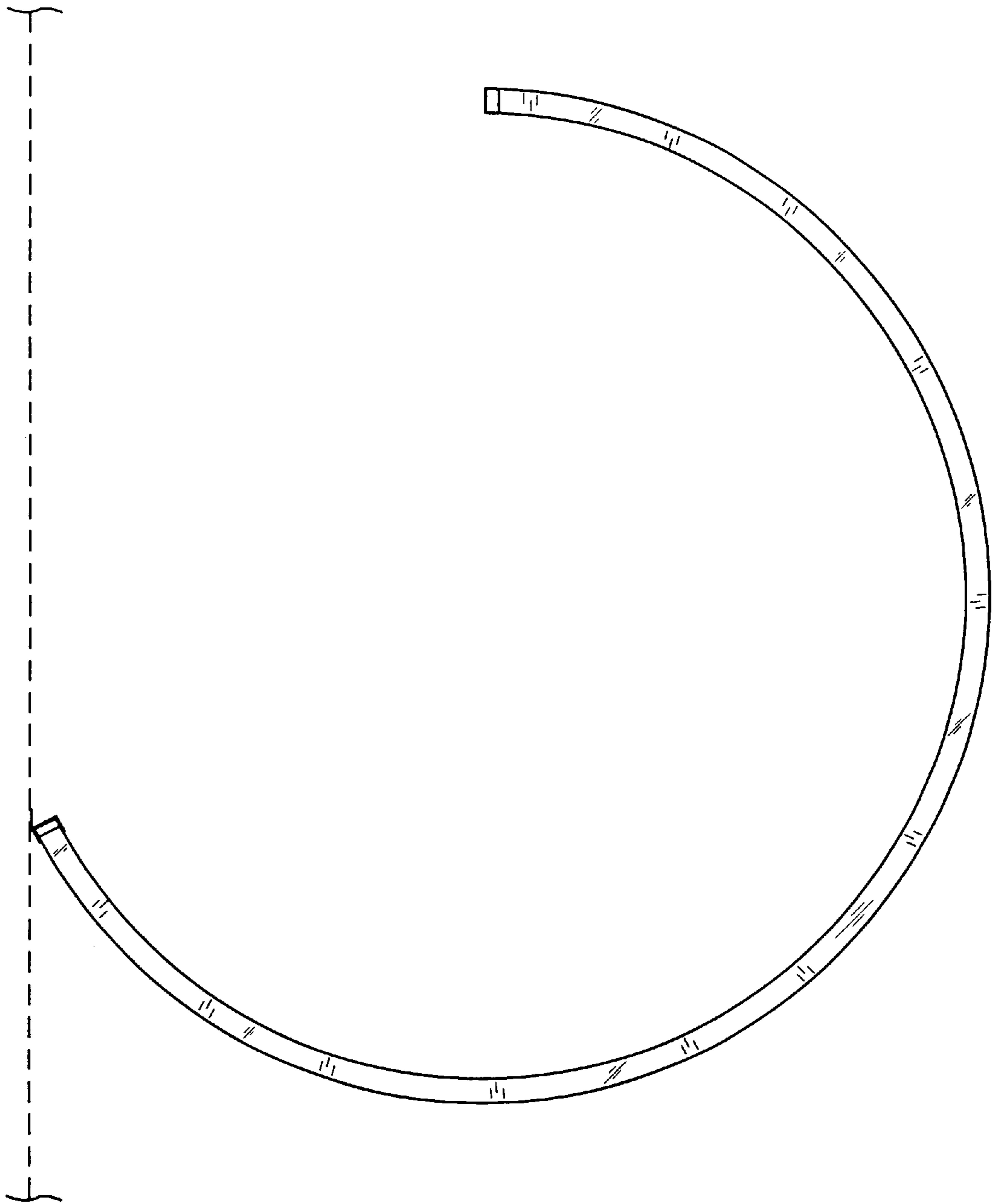


FIG. 3

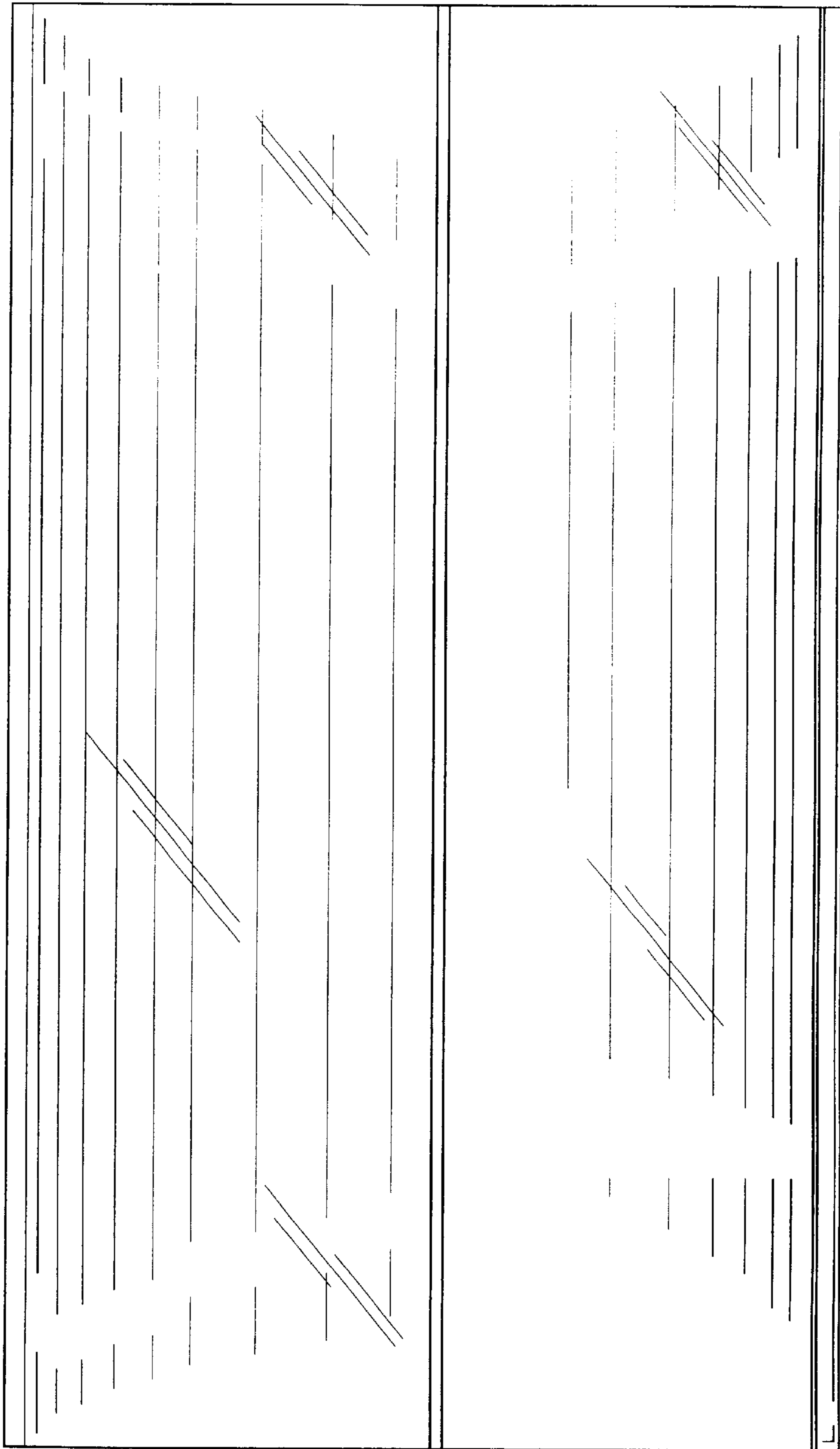


FIG. 4

