



US00D452727B1

(12) **United States Design Patent**  
**Richey**

(10) **Patent No.:** **US D452,727 S**

(45) **Date of Patent:** **\*\* Jan. 1, 2002**

(54) **WALL MOUNTED SINK AND SWIVEL FAUCET SYSTEM**

(76) **Inventor:** **Todd D Richey**, Lieber Correctional  
Inst #211398 Edisto B23, P.O. Box 205,  
Ridgeville, SC (US) 29472

(\*\*) **Term:** **14 Years**

(21) **Appl. No.:** **29/142,089**

(22) **Filed:** **May 18, 2001**

(51) **LOC (7) Cl.** ..... **23-02**

(52) **U.S. Cl.** ..... **D23/284**

(58) **Field of Search** ..... D23/270-271,  
D23/273, 284-292, 293.1, 303, 308, 242,  
243; 4/619, 621-627, 630-646, 660, 661

(56) **References Cited**

**U.S. PATENT DOCUMENTS**

D3,721 S	*	10/1869	Mott	.....	D23/393.1 X
935,290 A	*	9/1909	Bedson	.....	D23/293.1 X
1,868,760 A		7/1932	Norberg		
D144,249 S	*	3/1946	Hinderer	.....	D23/243
2,595,009 A		4/1952	Sillen		
2,969,549 A	*	1/1961	Mills	.....	4/636
3,312,983 A	*	4/1967	Jansson et al.	.....	4/650

3,588,922 A		6/1971	Carfora		
3,696,448 A		10/1972	Carfora		
D258,520 S	*	3/1981	Thevenot	.....	D23/242
4,979,528 A		12/1990	Krippendorf et al.		
D415,562 S		10/1999	Lobermeier	.....	

\* cited by examiner

*Primary Examiner*—Louis S. Zarfaz  
*Assistant Examiner*—Robert A. Delehanty

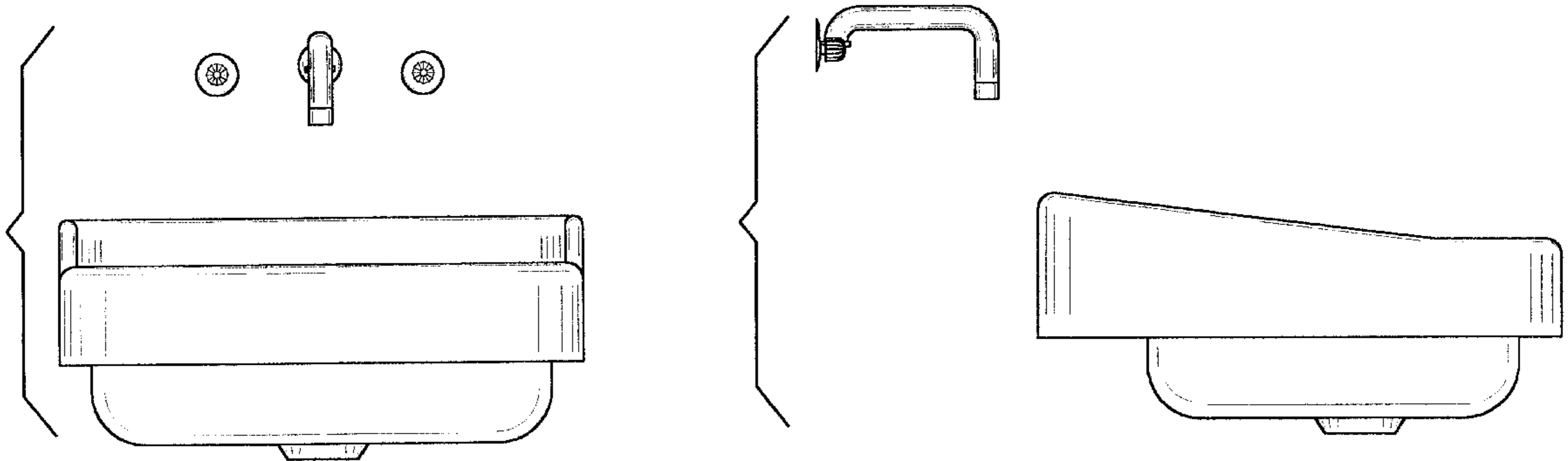
(57) **CLAIM**

The ornamental design for a wall mounted sink and swivel faucet system, as shown and described.

**DESCRIPTION**

FIG. 1 is a front elevational view of the wall mounted sink and swivel faucet system of the present invention; FIG. 2 is a rear elevational view of the wall mounted sink and swivel faucet system of FIG. 1; FIG. 3 is a left side elevational view of the wall mounted sink and swivel faucet system of FIG. 1, the right view being a mirror image thereof; FIG. 4 is a top plan view of the wall mounted sink and swivel faucet system of FIG. 1; and, FIG. 5 is a bottom plan view of the wall mounted sink and swivel faucet system of FIG. 1.

**1 Claim, 3 Drawing Sheets**



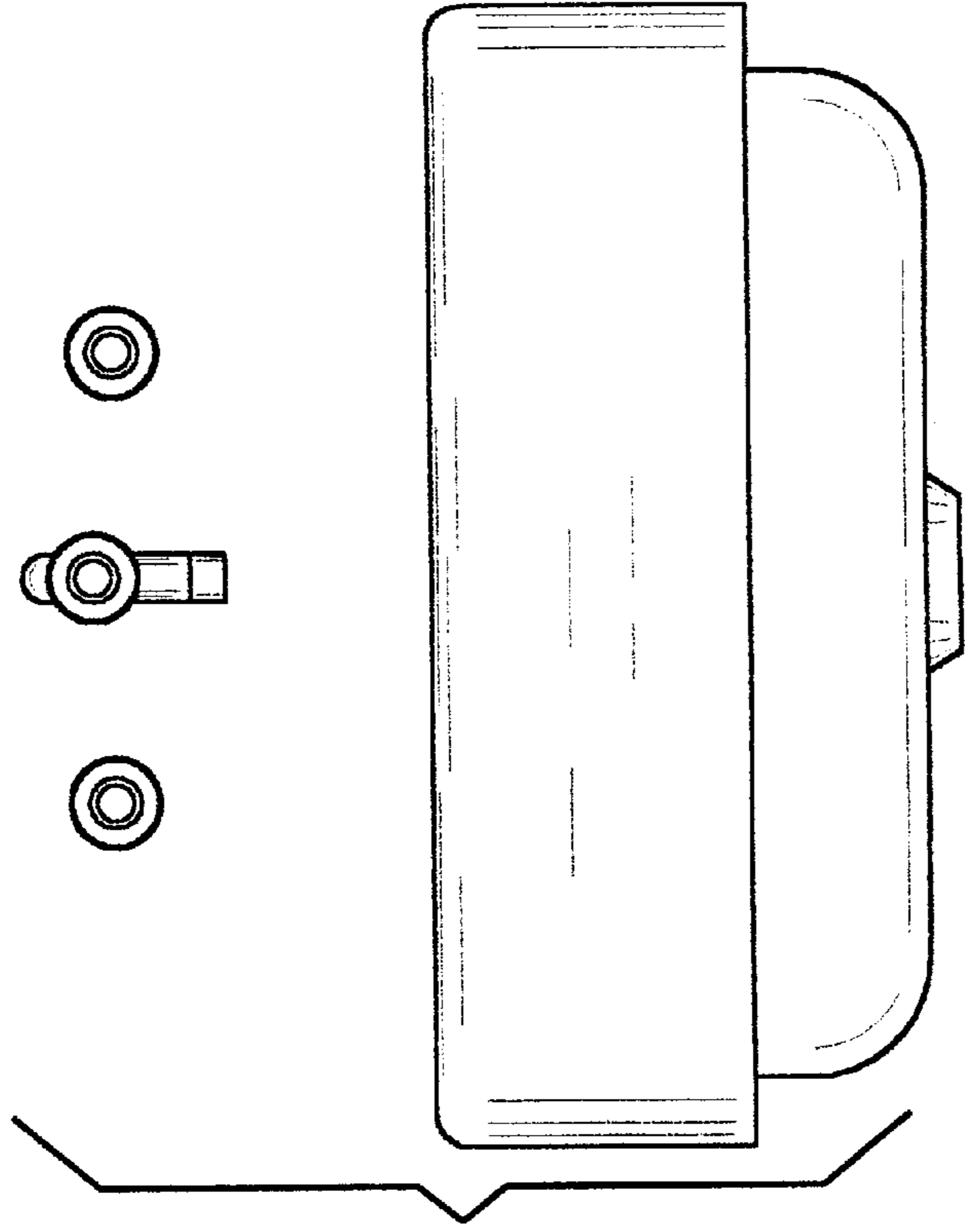


FIG. 2

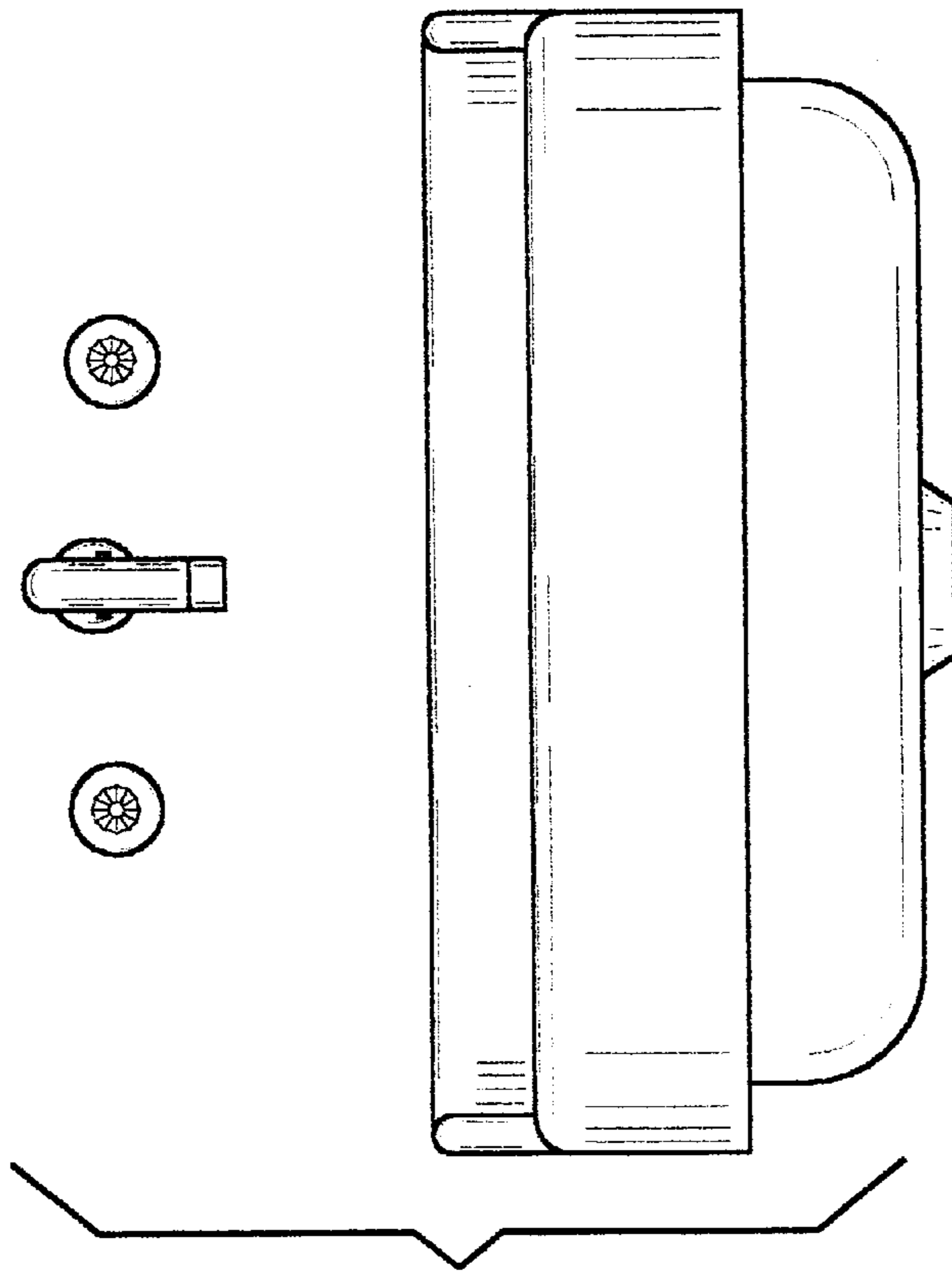


FIG. 1

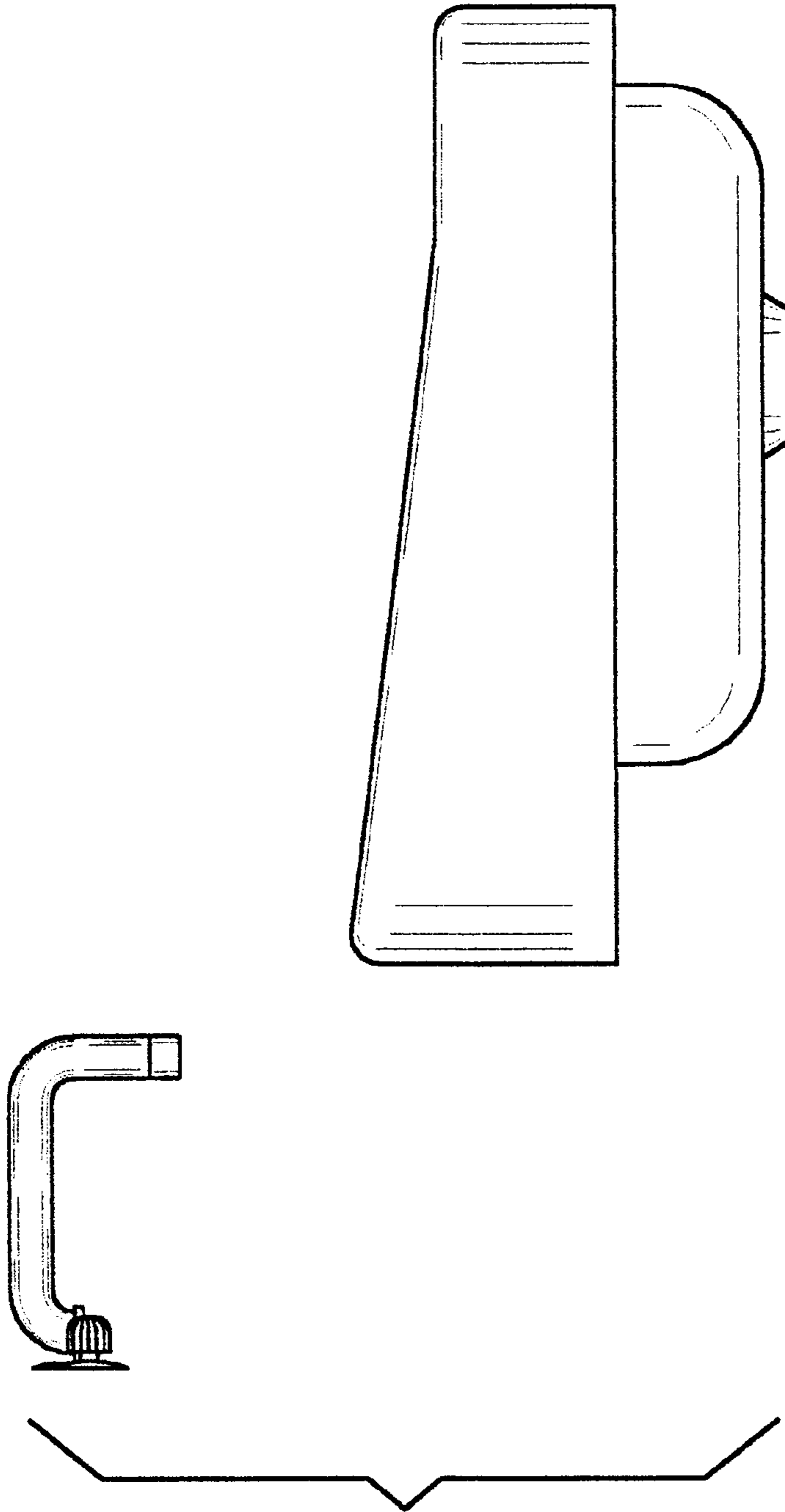


FIG. 3

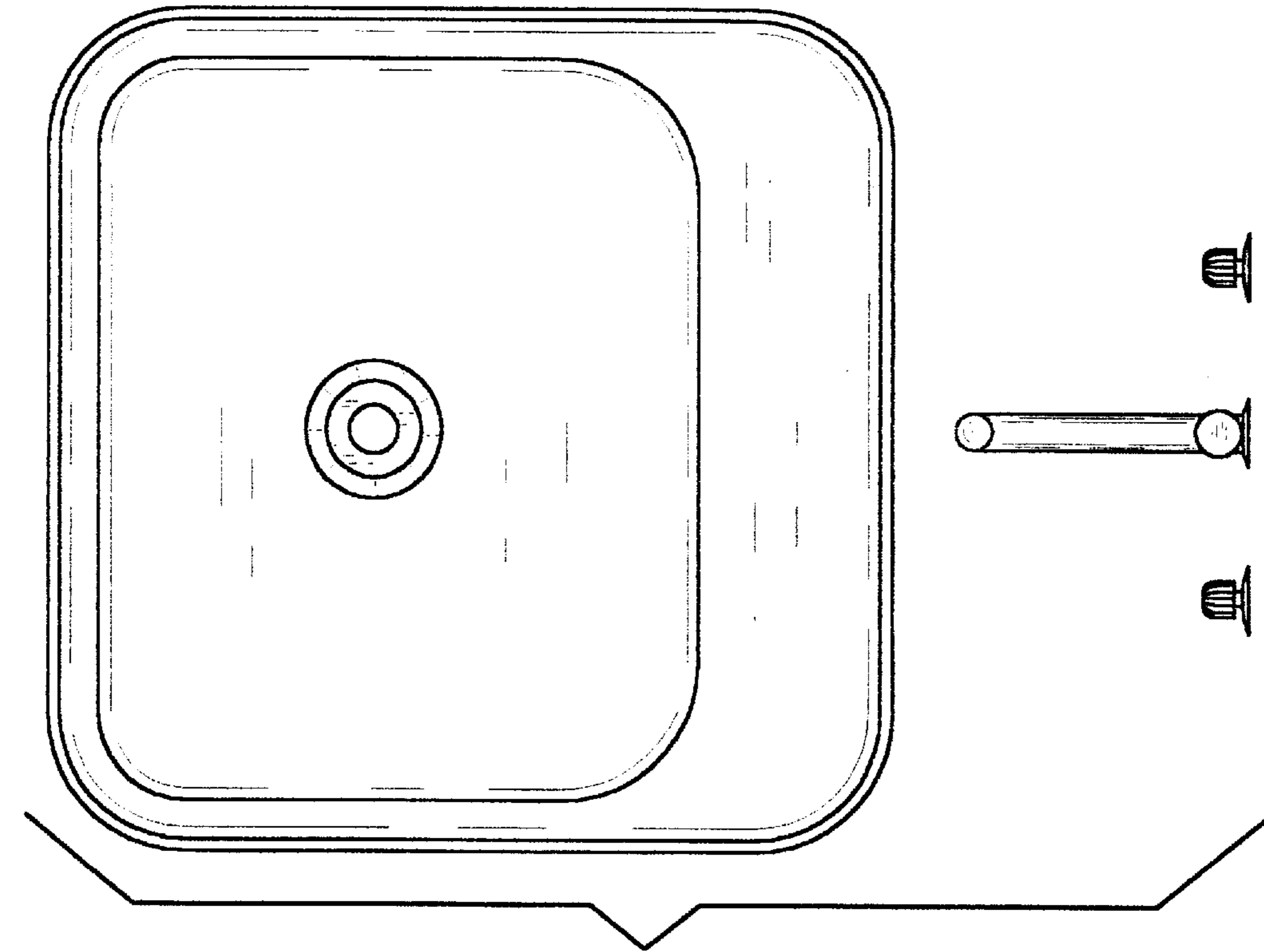


FIG. 4

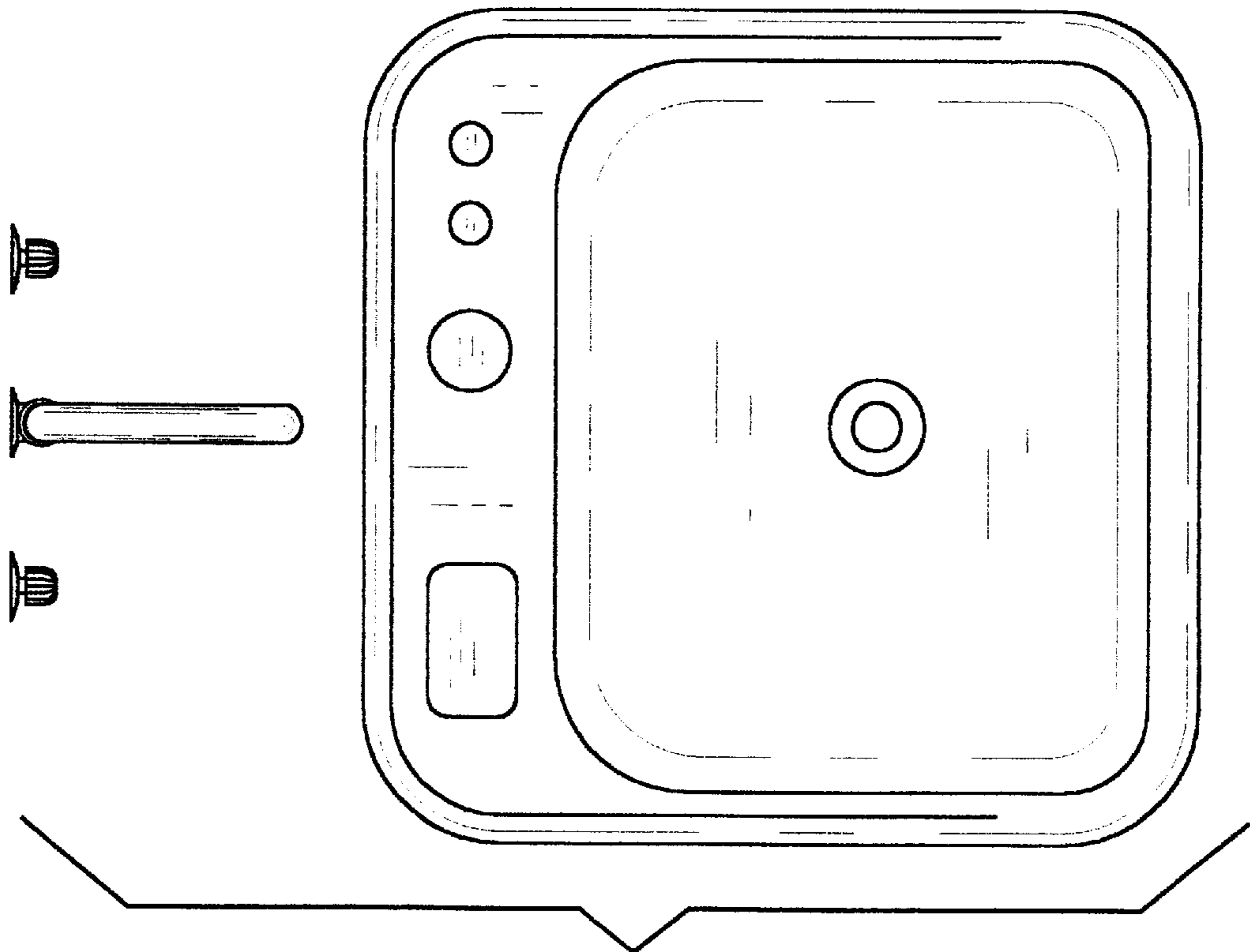


FIG. 5