



US00D452724B1

(12) **United States Design Patent**  
**Storelli**

(10) **Patent No.:** **US D452,724 S**

(45) **Date of Patent:** **\*\* Jan. 1, 2002**

(54) **FISHING FLOAT**

(74) *Attorney, Agent, or Firm*—Gary L. Shaffer

(76) **Inventor:** **John Storelli**, 631 NE. 18<sup>th</sup> Ave., Fort  
Lauderdale, FL (US) 33304

(57) **CLAIM**

The ornamental design for a fishing float, as shown and described.

(\*\*) **Term:** **14 Years**

**DESCRIPTION**

(21) **Appl. No.:** **29/136,345**

FIG. 1 is a left top perspective view of a fishing float disposed in water showing my new design; a right top perspective view is identical to the left top view with respect to the ornamental design aspects;

(22) **Filed:** **Jan. 31, 2001**

(51) **LOC (7) Cl.** ..... **22-05**

(52) **U.S. Cl.** ..... **D22/146**

(58) **Field of Search** ..... D22/146, 145,  
D22/126-133; 43/42.34, 42.03, 43.13, 44.87,  
44.91; D11/1, 114, 115; D9/335, 336; D7/518,  
521

FIG. 2 is a front elevational view of the design shown in FIG. 1;

FIG. 3 is a back elevational view of the design shown in FIG. 1;

(56) **References Cited**

**U.S. PATENT DOCUMENTS**

D286,487 S	*	11/1986	Laslo	.....	D7/518
D337,632 S	*	7/1993	Hemmerle	.....	D22/146
D366,691 S	*	1/1996	Botkins	.....	D22/146
D396,263 S	*	7/1998	Miller	.....	D22/146

FIG. 4 is a left side elevational view of the design shown in FIG. 1;

FIG. 5 is a right side elevational view of the design shown in FIG. 5;

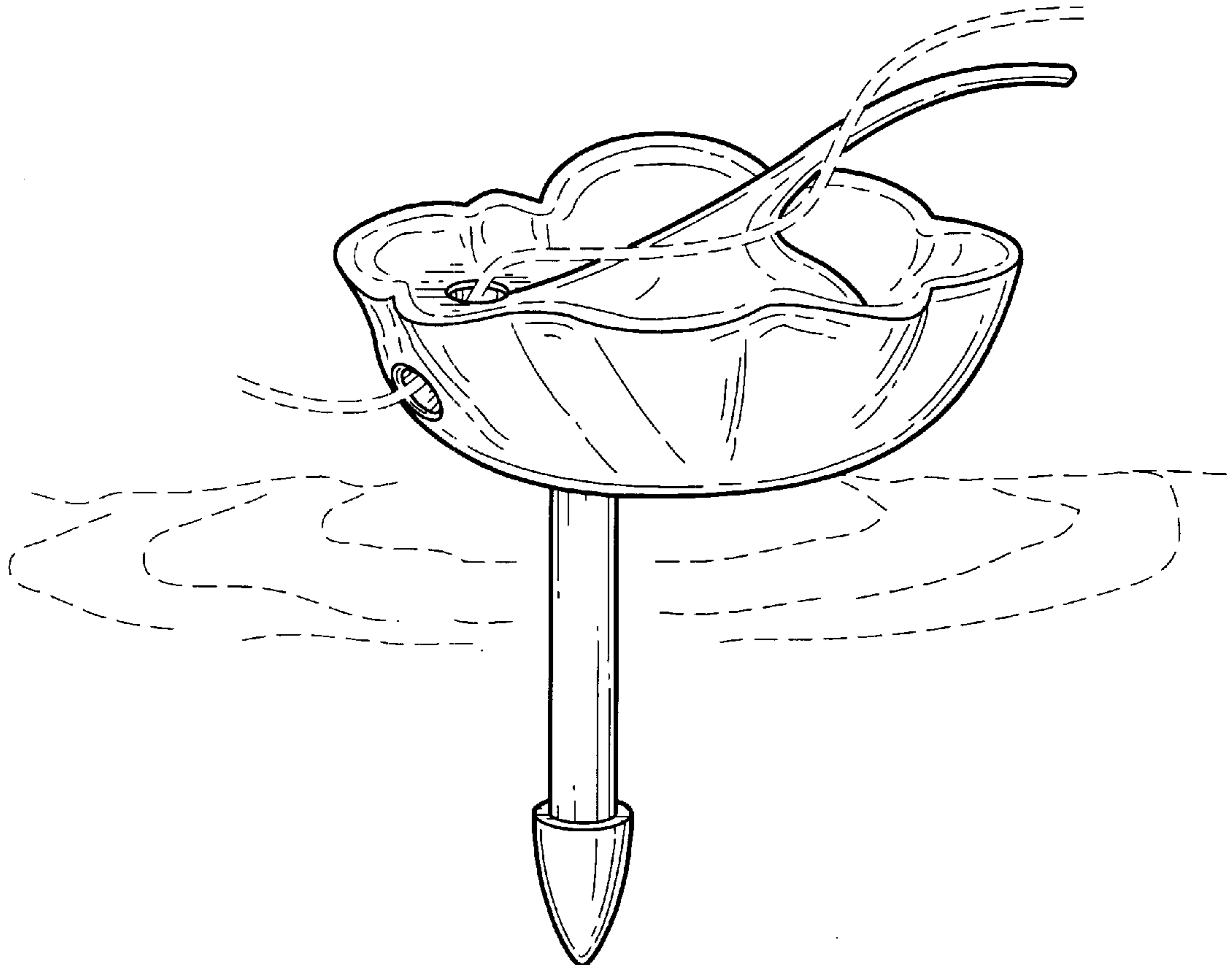
FIG. 6 is a top plan view of the design shown in FIG. 1; and,  
FIG. 7 is a bottom plan view of the design shown in FIG. 1.

The broken line showing of environment in the drawings is for illustrative purposes only and forms no part of the claimed design.

\* cited by examiner

*Primary Examiner*—Catherine R. Oliver

**1 Claim, 4 Drawing Sheets**



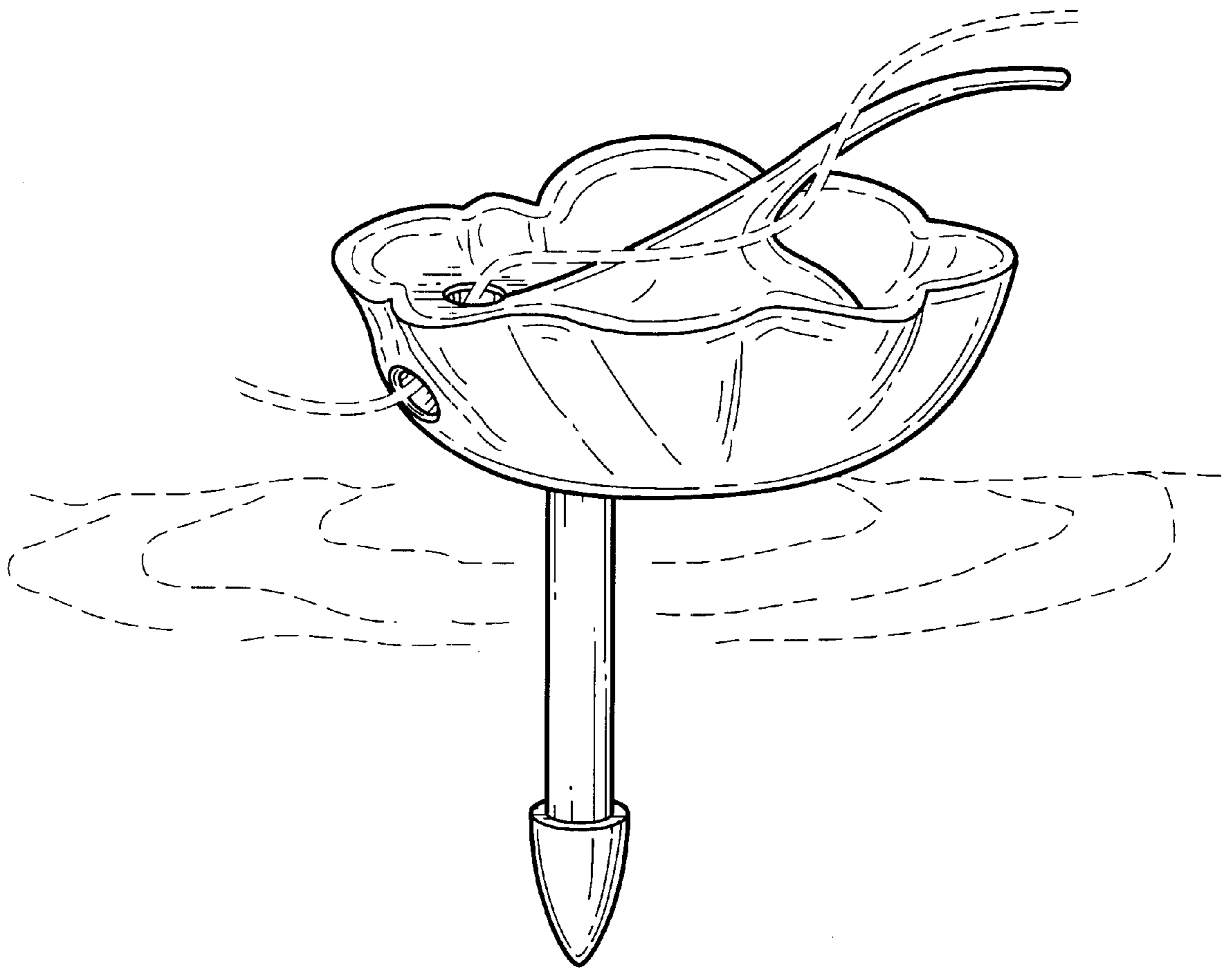


FIG. 1

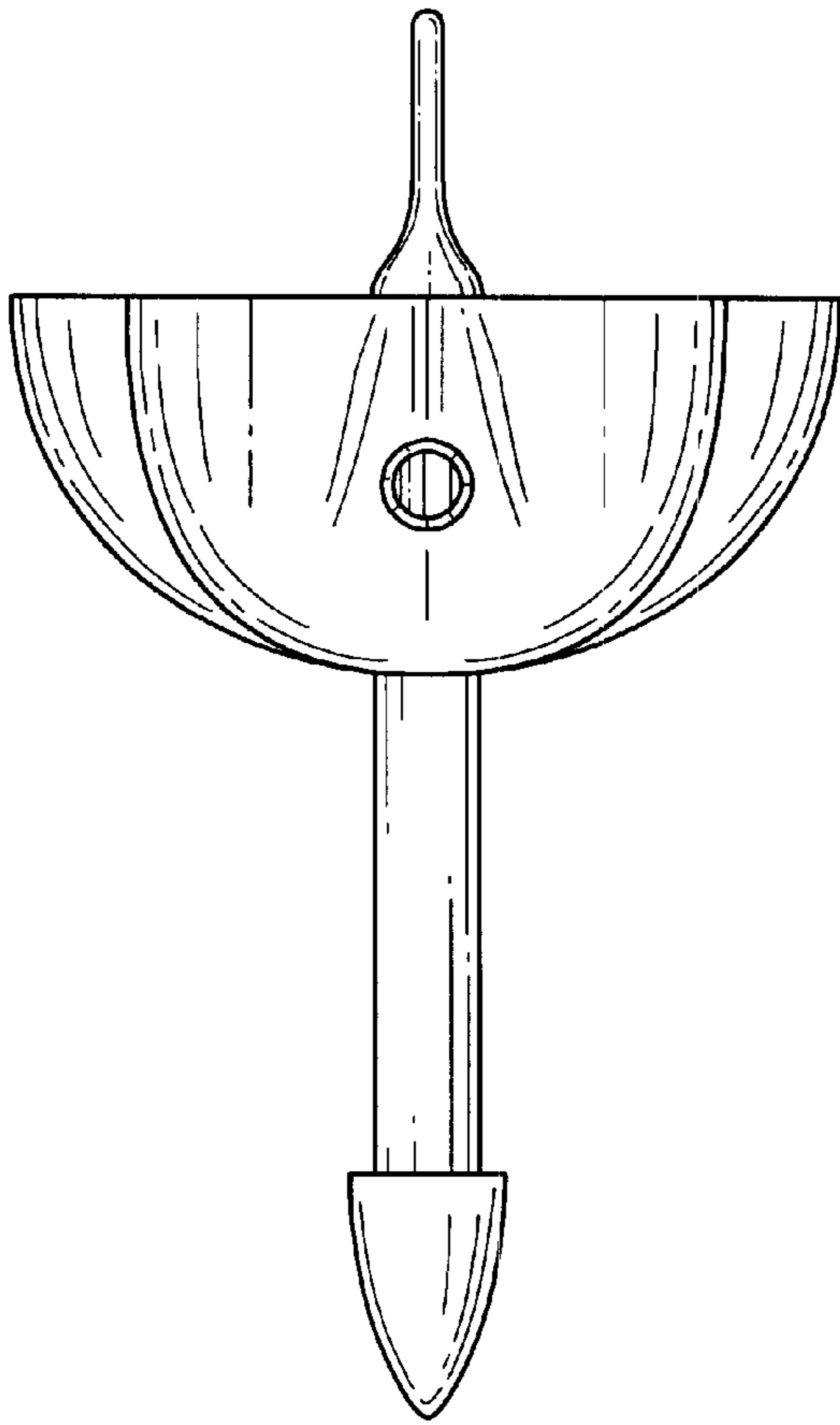


FIG. 2

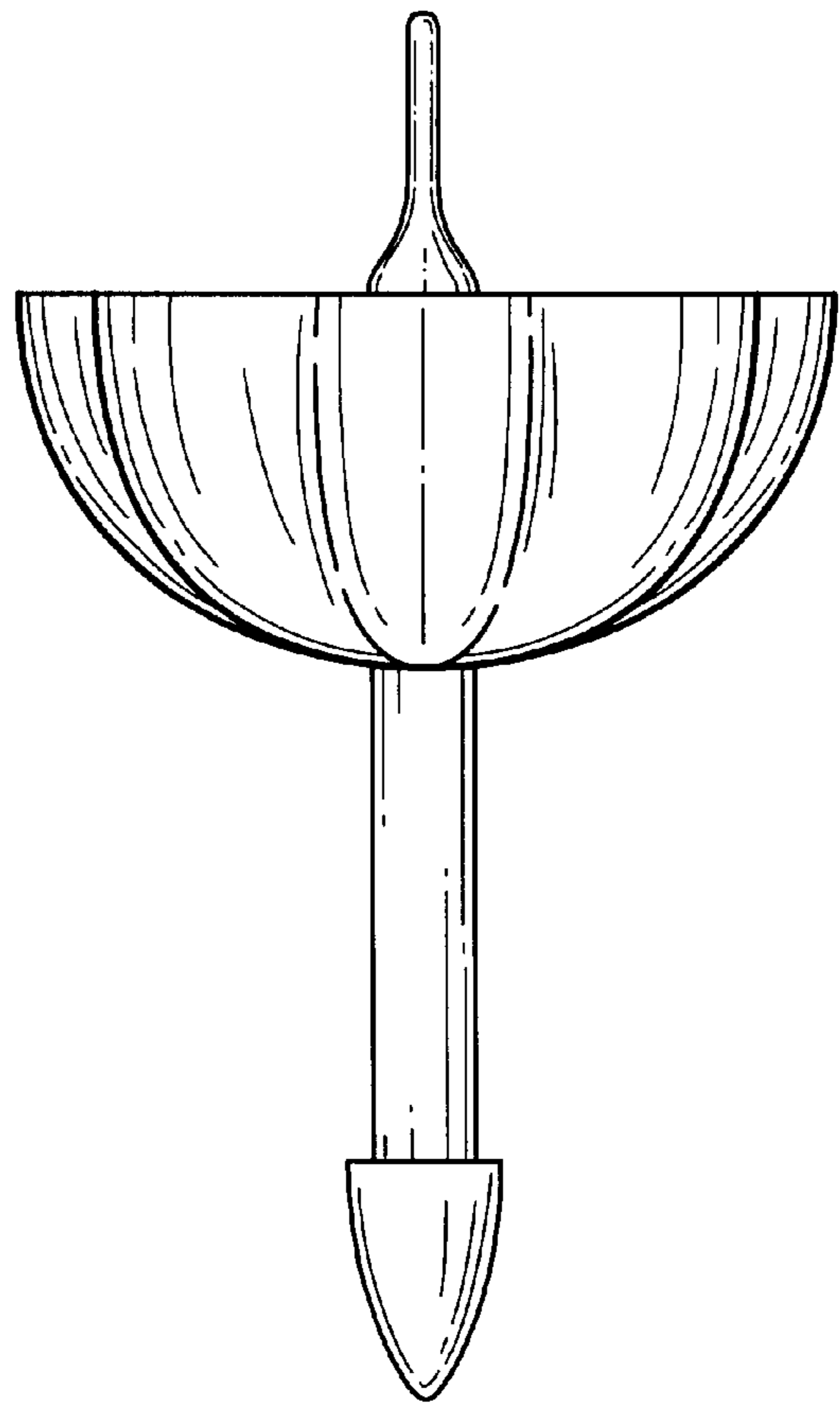


FIG. 3

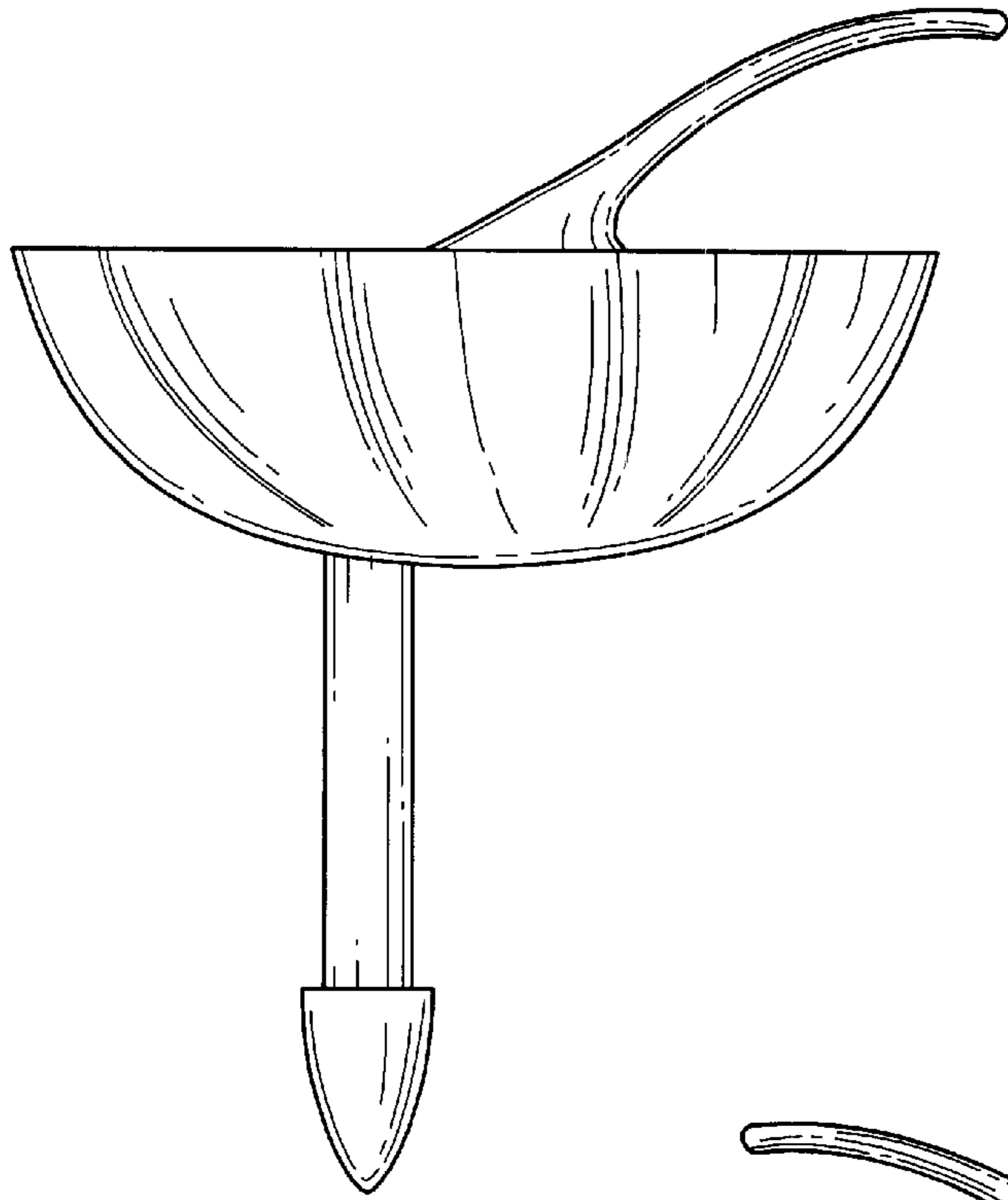


FIG. 4

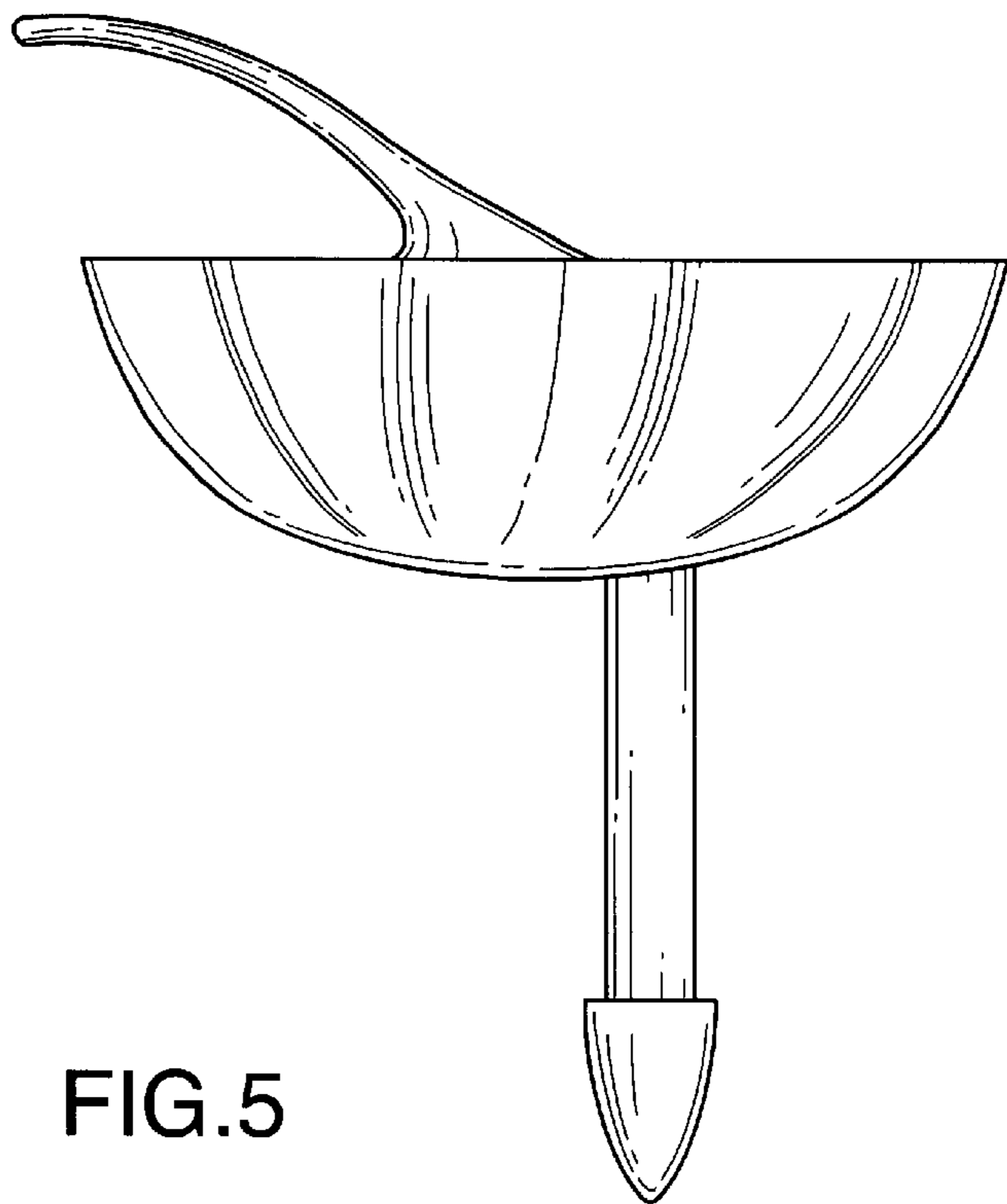


FIG. 5

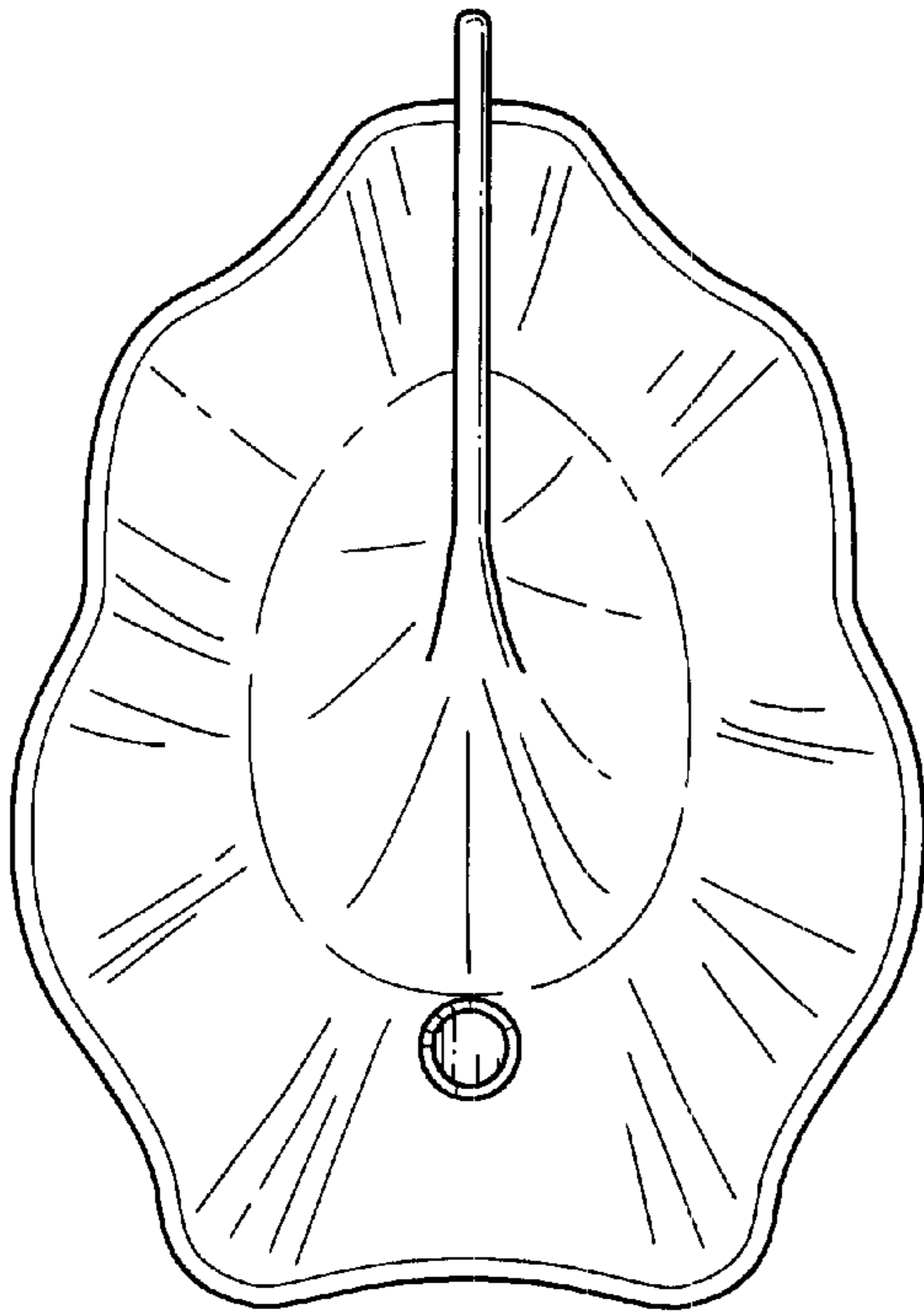


FIG. 6

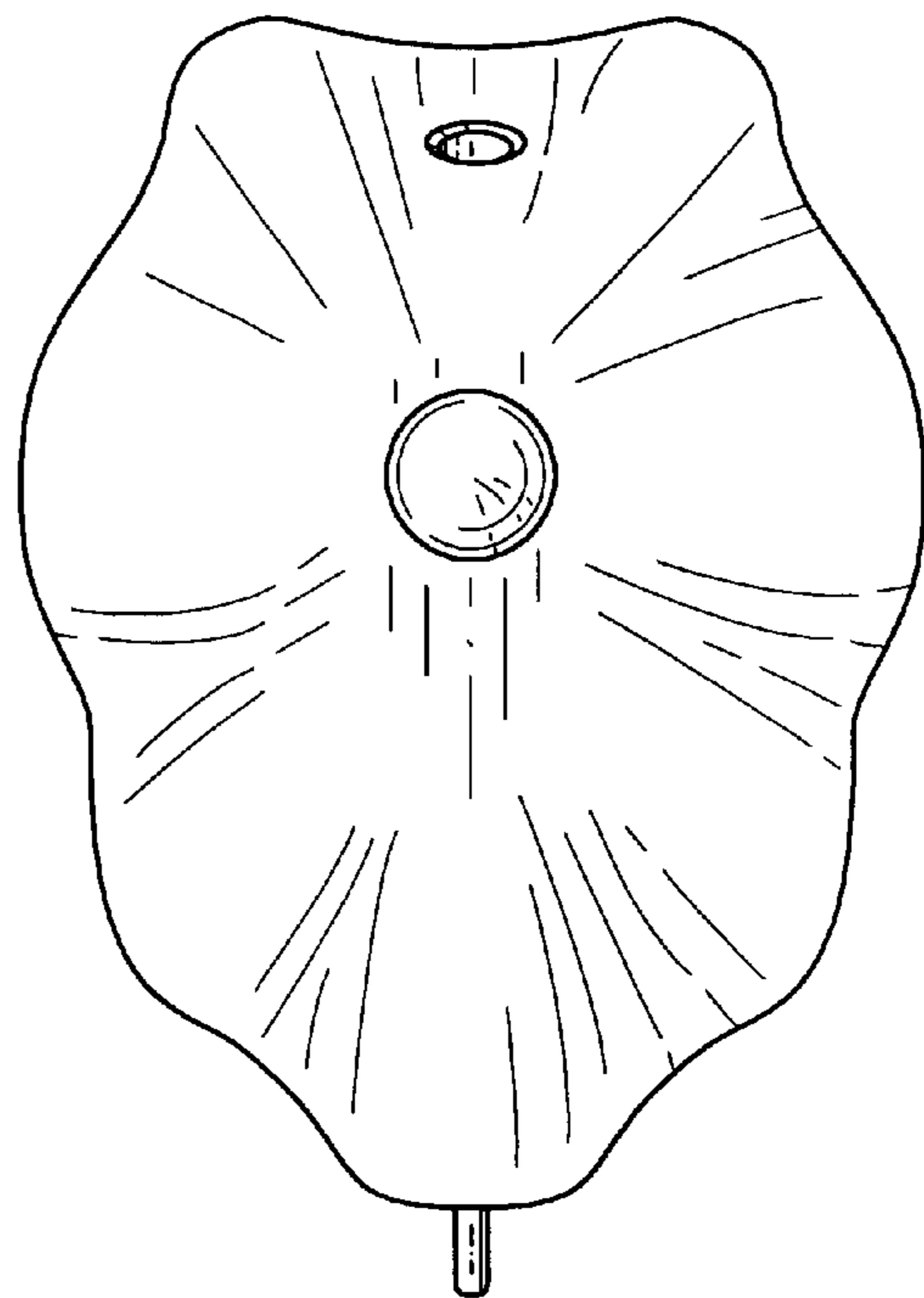


FIG. 7