



US00D452722B1

(12) **United States Design Patent**
Kay

(10) **Patent No.:** **US D452,722 S**

(45) **Date of Patent:** **** Jan. 1, 2002**

(54) **UNDERBARREL SHOTGUN**

6,142,058 A * 11/2000 Mayville et al. 89/1.41 X

(76) Inventor: **Ira M. Kay**, 405 Winchester St.,
Warrenton, VA (US) 20186

* cited by examiner

(**) Term: **14 Years**

Primary Examiner—Louis S. Zarfes

Assistant Examiner—Monica A. Weingart

(21) Appl. No.: **29/126,571**

(74) *Attorney, Agent, or Firm*—Shlesinger, Arkwright &
Garvey LLP

(22) Filed: **Jul. 20, 2000**

(57) **CLAIM**

(51) **LOC (7) Cl.** **22-01**

The ornamental design for underbarrel shotgun, as shown
and described.

(52) **U.S. Cl.** **D22/103**

(58) **Field of Search** D22/100, 103,
D22/199; 42/75.01, 105; 89/126, 127, 1.41

DESCRIPTION

(56) **References Cited**

FIG. 1 is a perspective view of an underbarrel shotgun
showing my new design;

FIG. 2 is a left elevational view thereof;

FIG. 3 is a top plan view thereof;

FIG. 4 is a bottom plan view thereof;

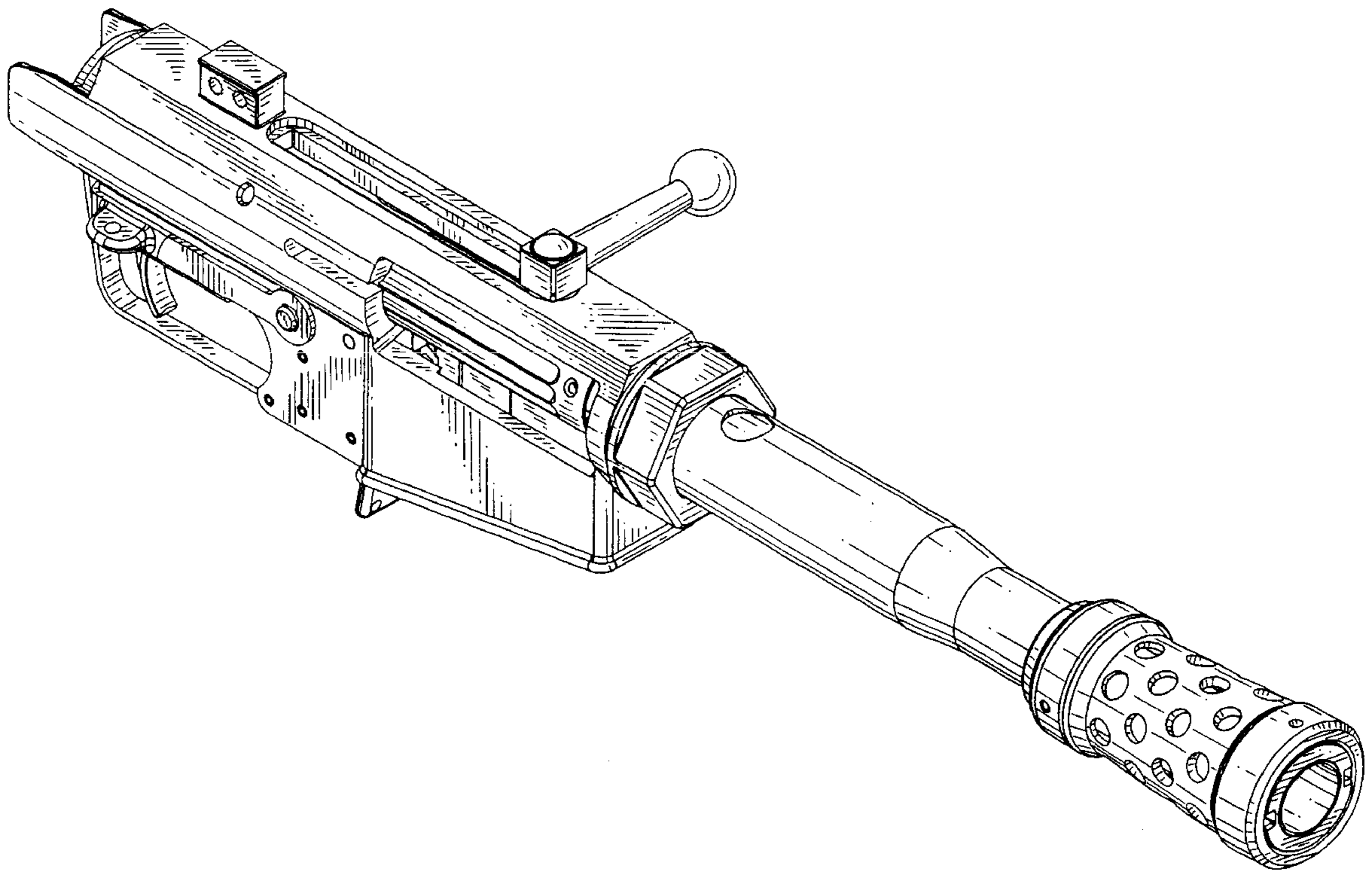
FIG. 5 is a front elevational view thereof; and,

FIG. 6 is a rear elevational view thereof.

U.S. PATENT DOCUMENTS

2,752,825 A	*	7/1956	Crigger et al.	89/1.41
4,867,039 A	*	9/1989	Dobbins	89/1.41 X
4,967,642 A	*	11/1990	Mihaita	89/126
5,628,137 A	*	5/1997	Cortese	42/105
5,852,253 A	*	12/1998	Baricos et al.	89/126 X

1 Claim, 5 Drawing Sheets



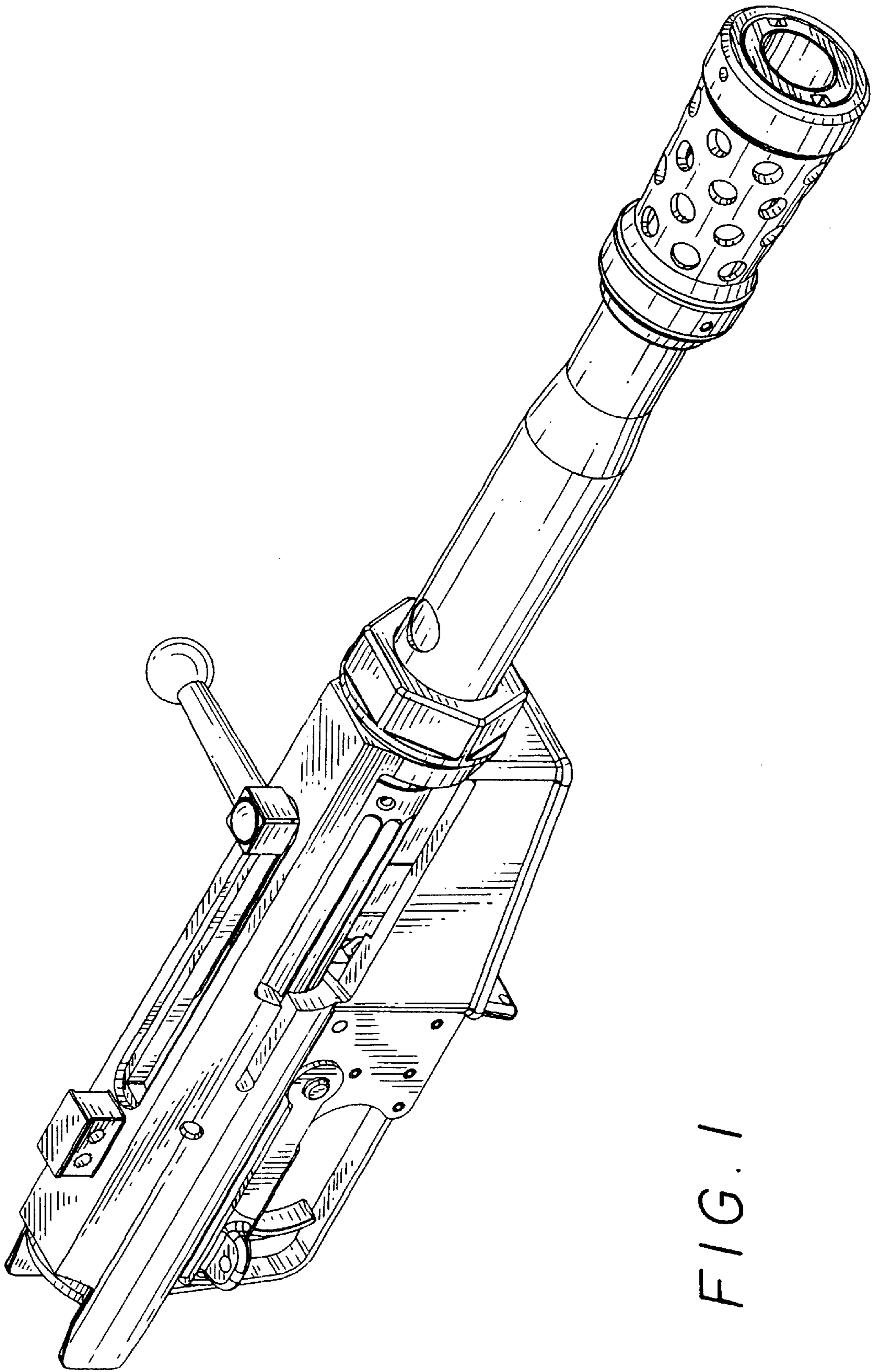


FIG. 1

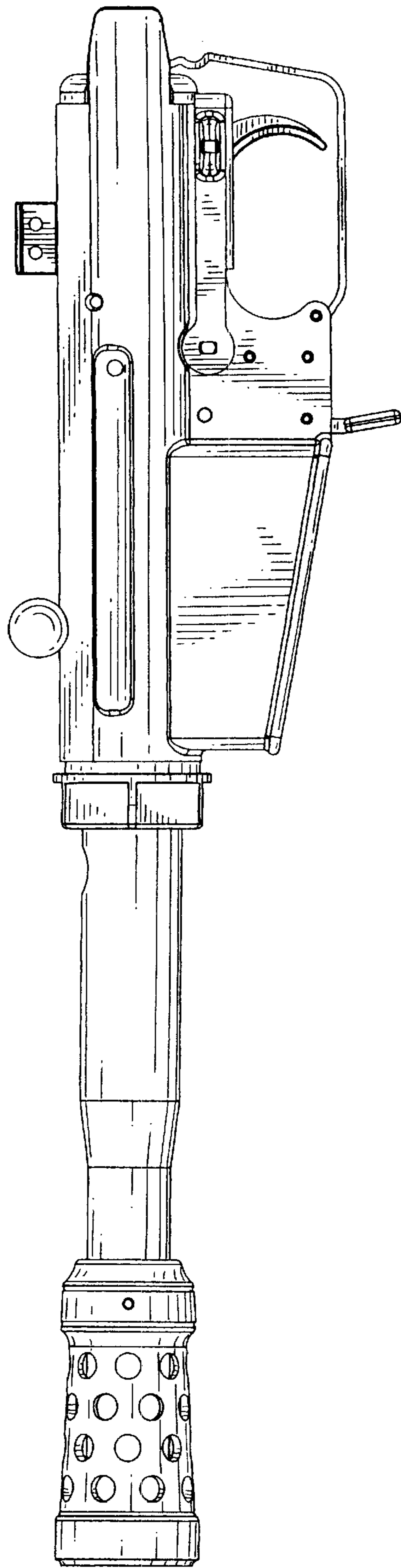


FIG. 2

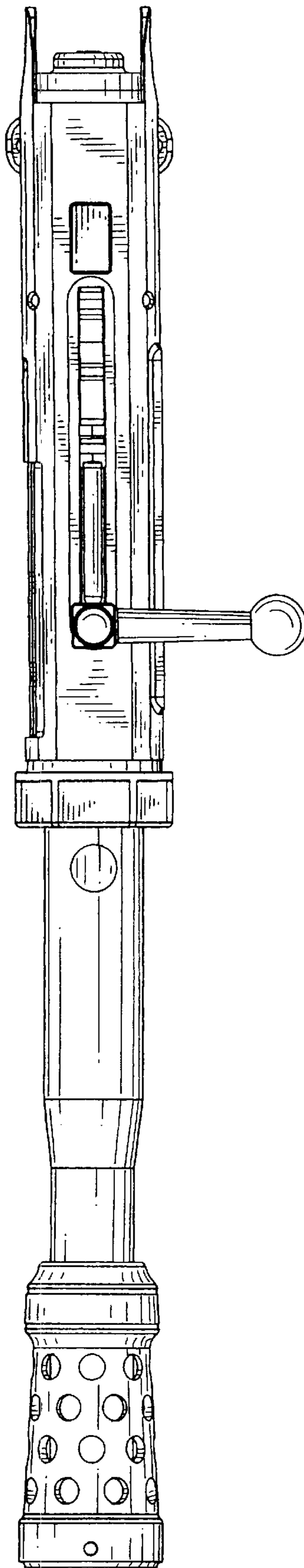


FIG. 3

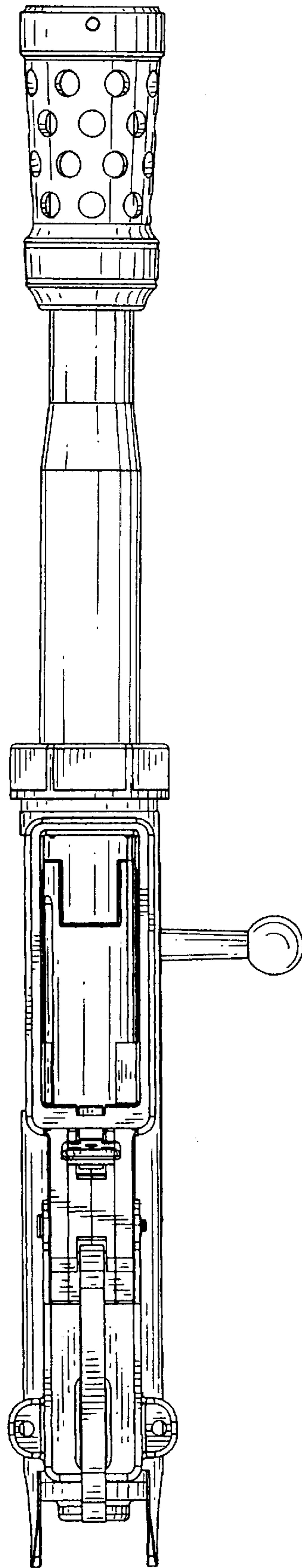


FIG. 4

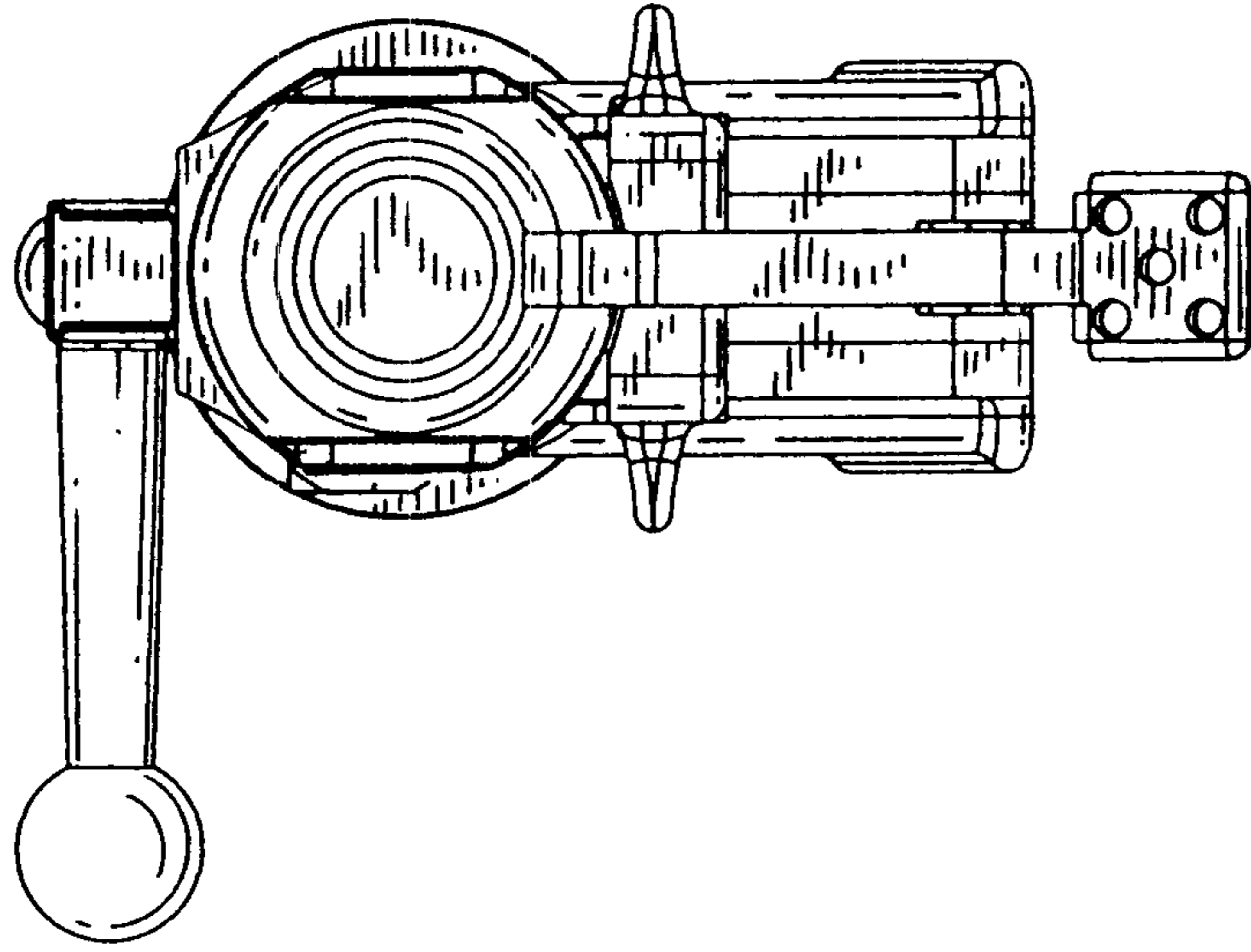


FIG. 6

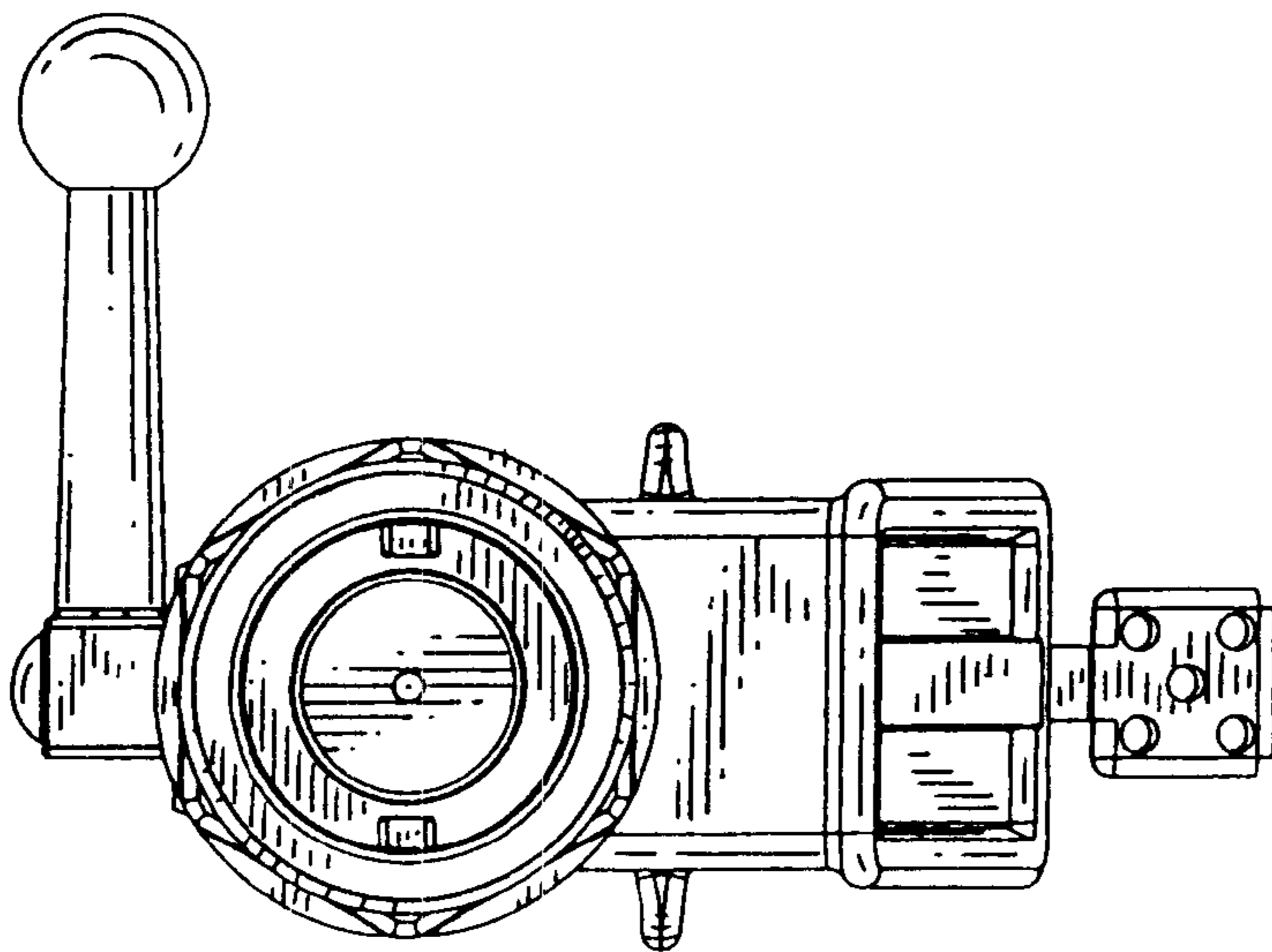


FIG. 5