



US00D452719B2

(12) **United States Design Patent**  
**Lin et al.**

(10) **Patent No.:** **US D452,719 S**  
(45) **Date of Patent:** **\*\* Jan. 1, 2002**

(54) **EXERCISER**

(76) Inventors: **David Lin**, 4 Fl., No. 76, Ta-Hsin St.,  
Yungho City, Taipei Hsien; **Chih-Liang**  
**Chen**, No. 10, Lane 1431, Kuanghsing  
Rd., Pateh City, Taoyuan Hsien, both of  
(TW)

(\*\*) Term: **14 Years**

(21) Appl. No.: **29/136,015**

(22) Filed: **Jan. 22, 2001**

(51) **LOC (7) Cl.** ..... **21-02**

(52) **U.S. Cl.** ..... **D21/673; D21/668; D21/676**

(58) **Field of Search** ..... D21/666, 668,  
D21/670, 673, 676; 482/51, 52, 97, 135,  
138, 130

(56) **References Cited**

**U.S. PATENT DOCUMENTS**

4,838,548 A \* 6/1989 Maag ..... 482/97  
5,354,248 A \* 10/1994 Rawls et al. .... 482/52  
5,409,440 A \* 4/1995 Yang ..... 482/138

D358,624 S \* 5/1995 Wang et al. .... D21/690  
5,616,107 A \* 4/1997 Simonson ..... 482/97  
D392,702 S \* 3/1998 Sands et al. .... D21/676  
6,077,197 A \* 6/2000 Stearns et al. .... 482/52

\* cited by examiner

*Primary Examiner*—Philip S. Hyder

(74) *Attorney, Agent, or Firm*—David A. Belasco; Beehler  
& Pavitt

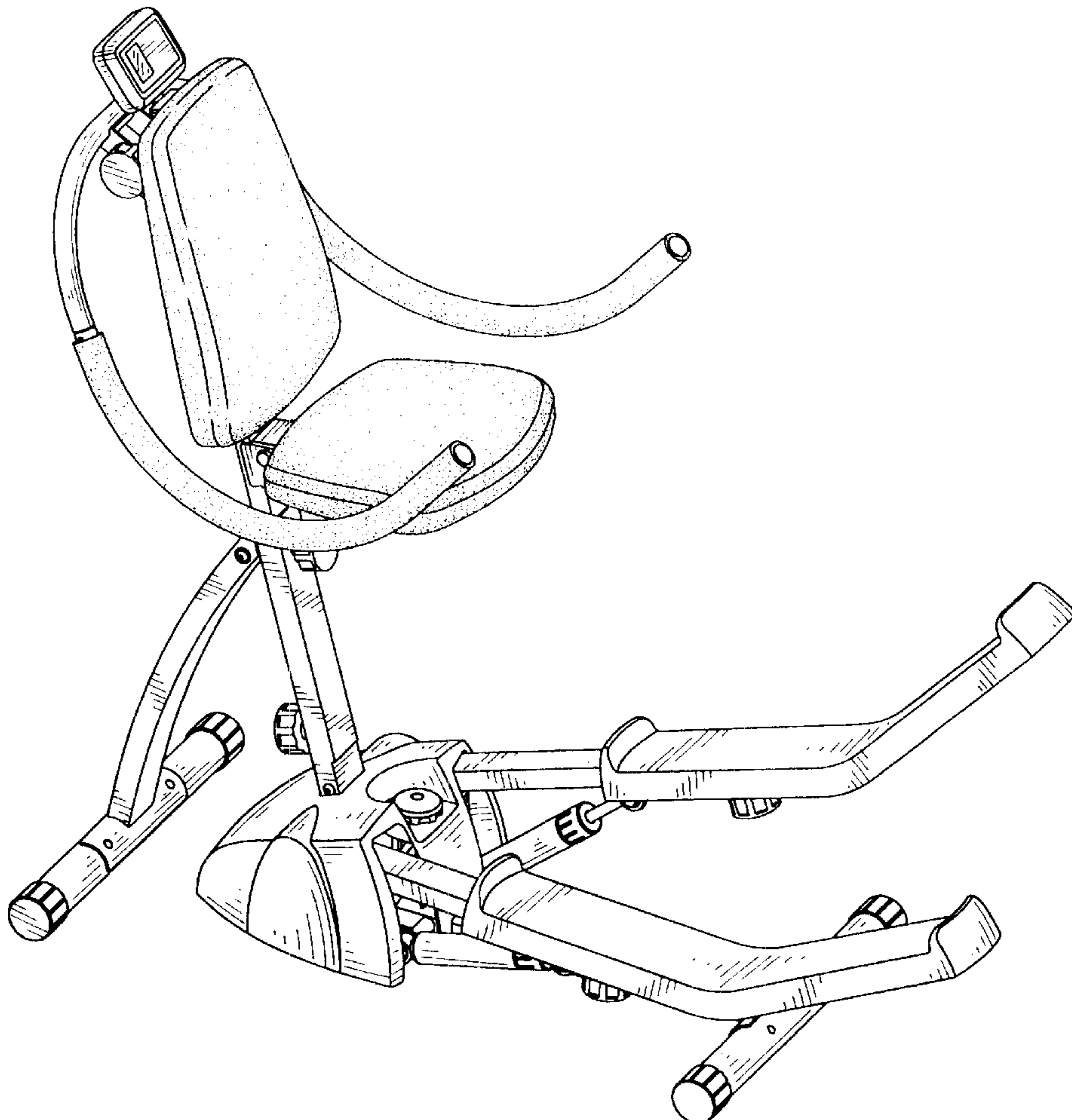
(57) **CLAIM**

The ornamental design for an exerciser, as shown.

**DESCRIPTION**

FIG. 1 is a perspective view of an exerciser, showing our  
new design;  
FIG. 2 is a left elevational view thereof;  
FIG. 3 is a right elevational view thereof  
FIG. 4 is a rear elevational view thereof;  
FIG. 5 is a front elevational view thereof;  
FIG. 6 is a top plan view thereof; and,  
FIG. 7 is a bottom plan view thereof.

**1 Claim, 6 Drawing Sheets**



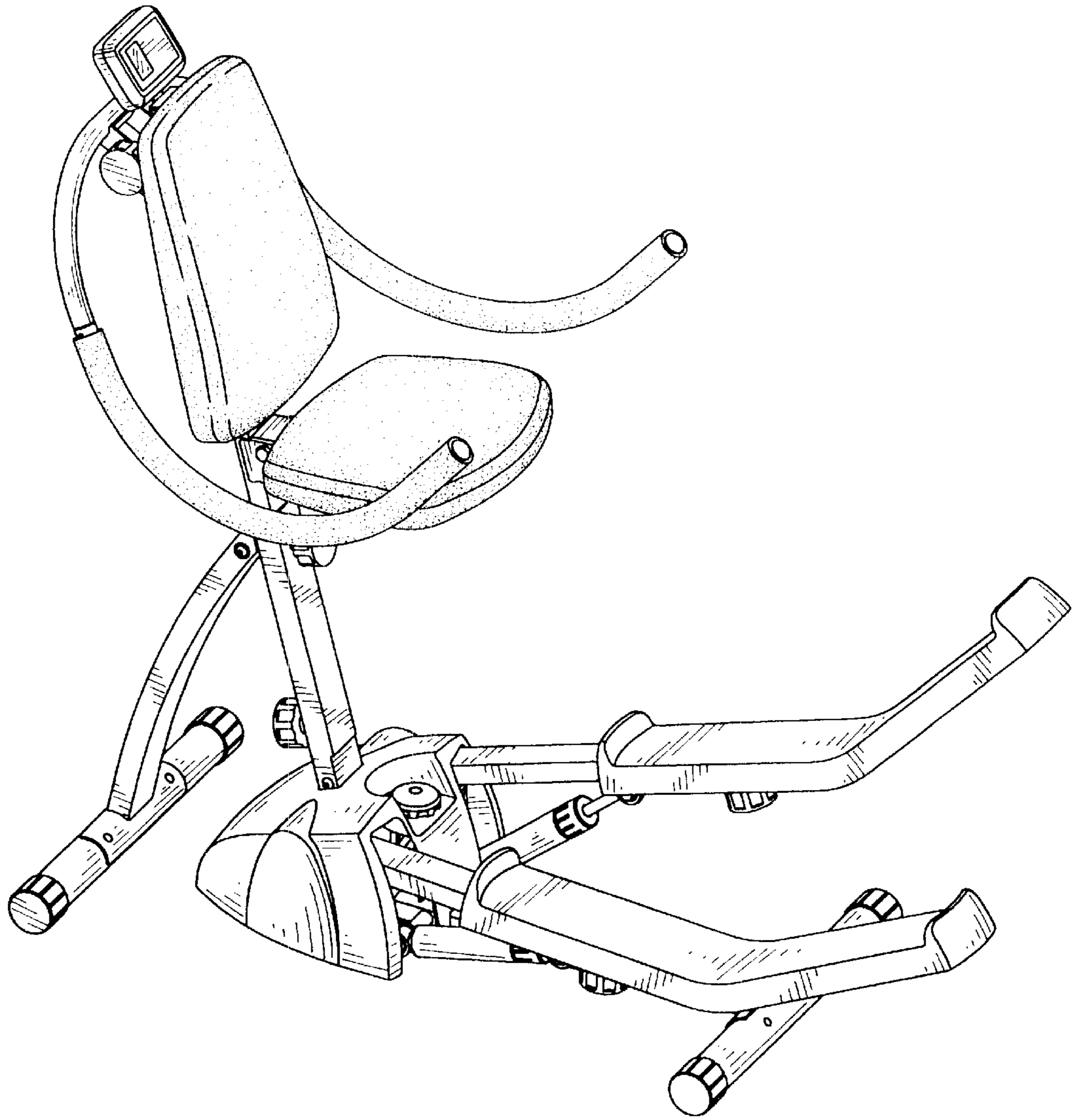


FIG . 1

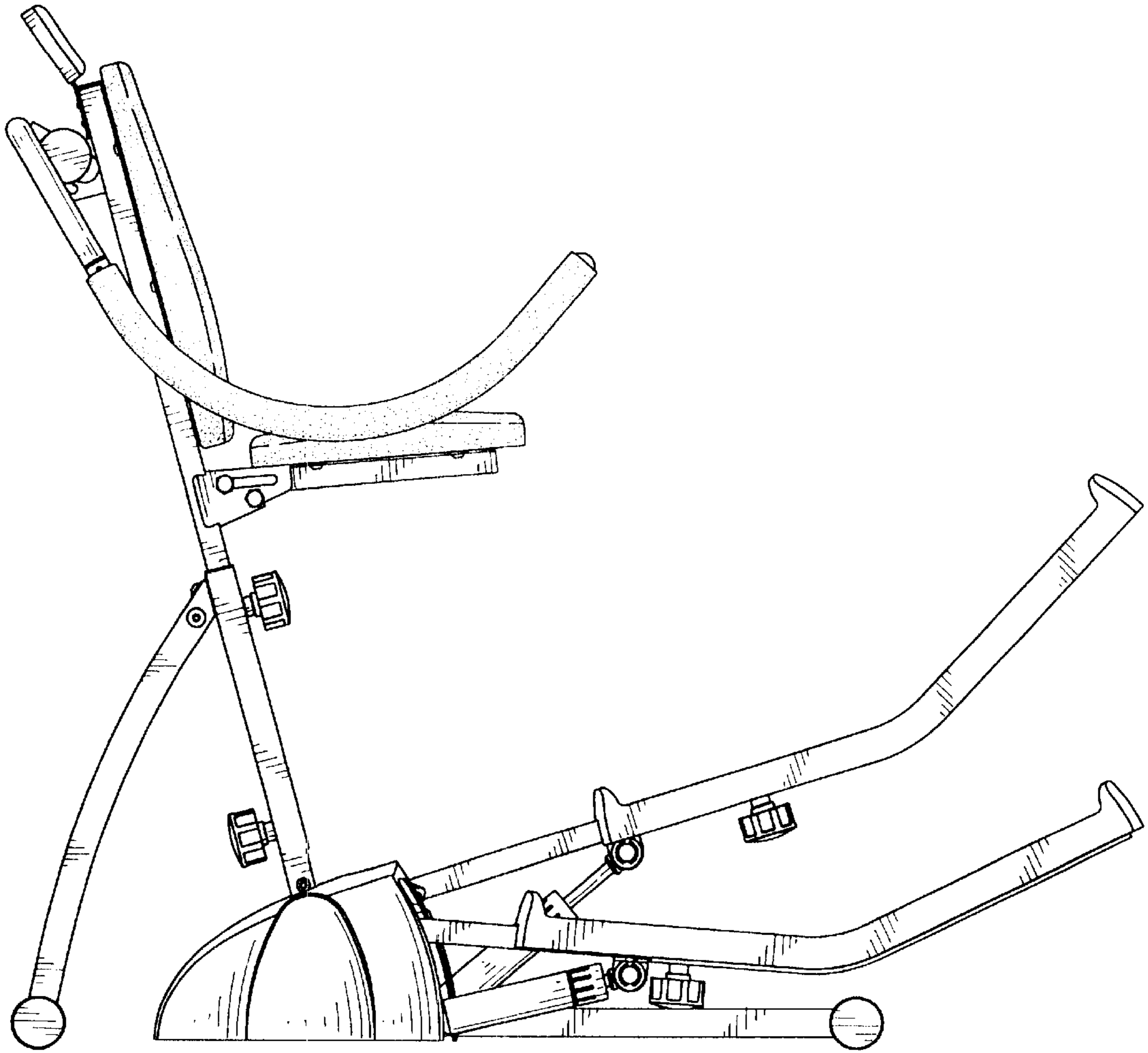


FIG . 2

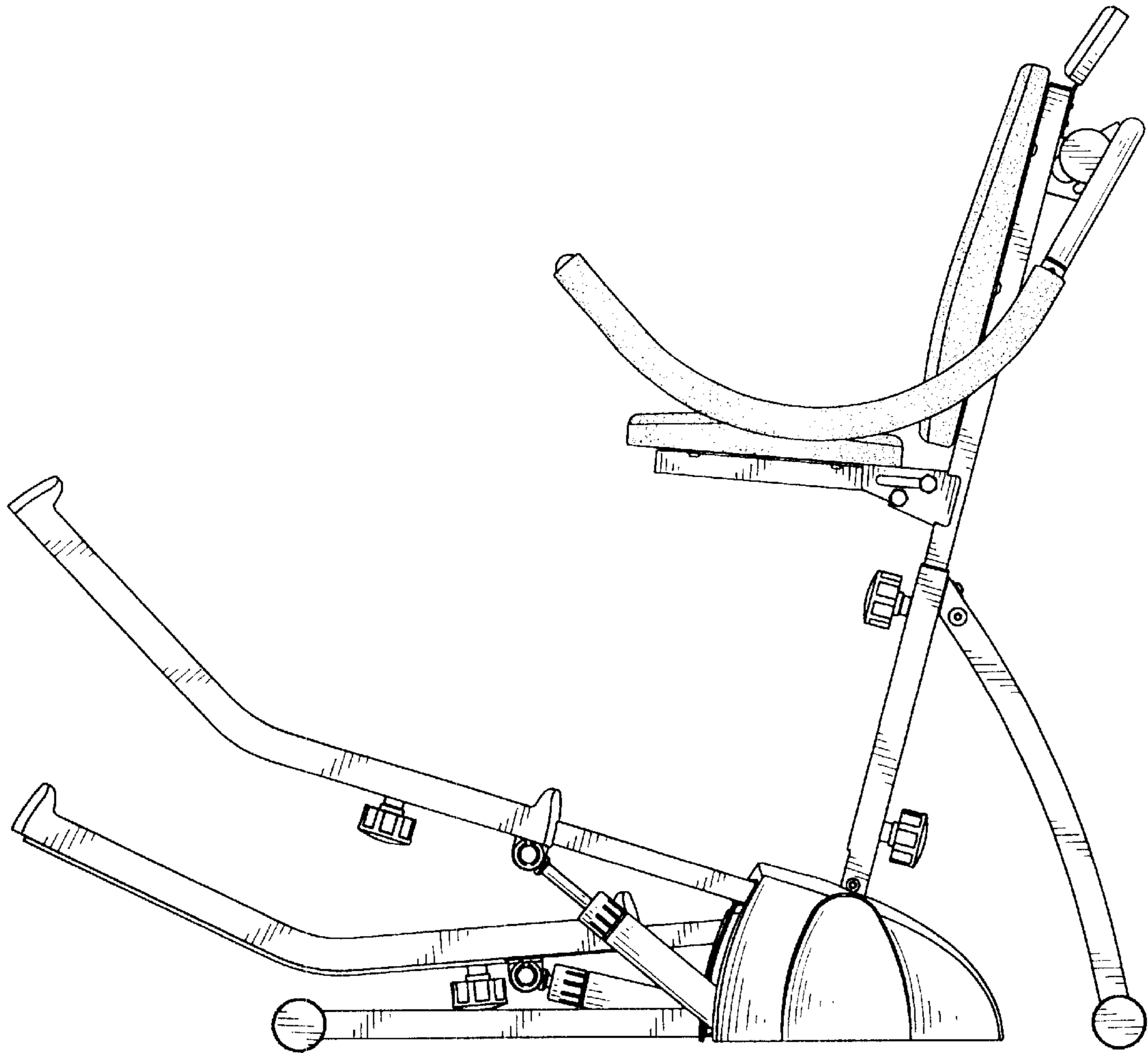


FIG. 3

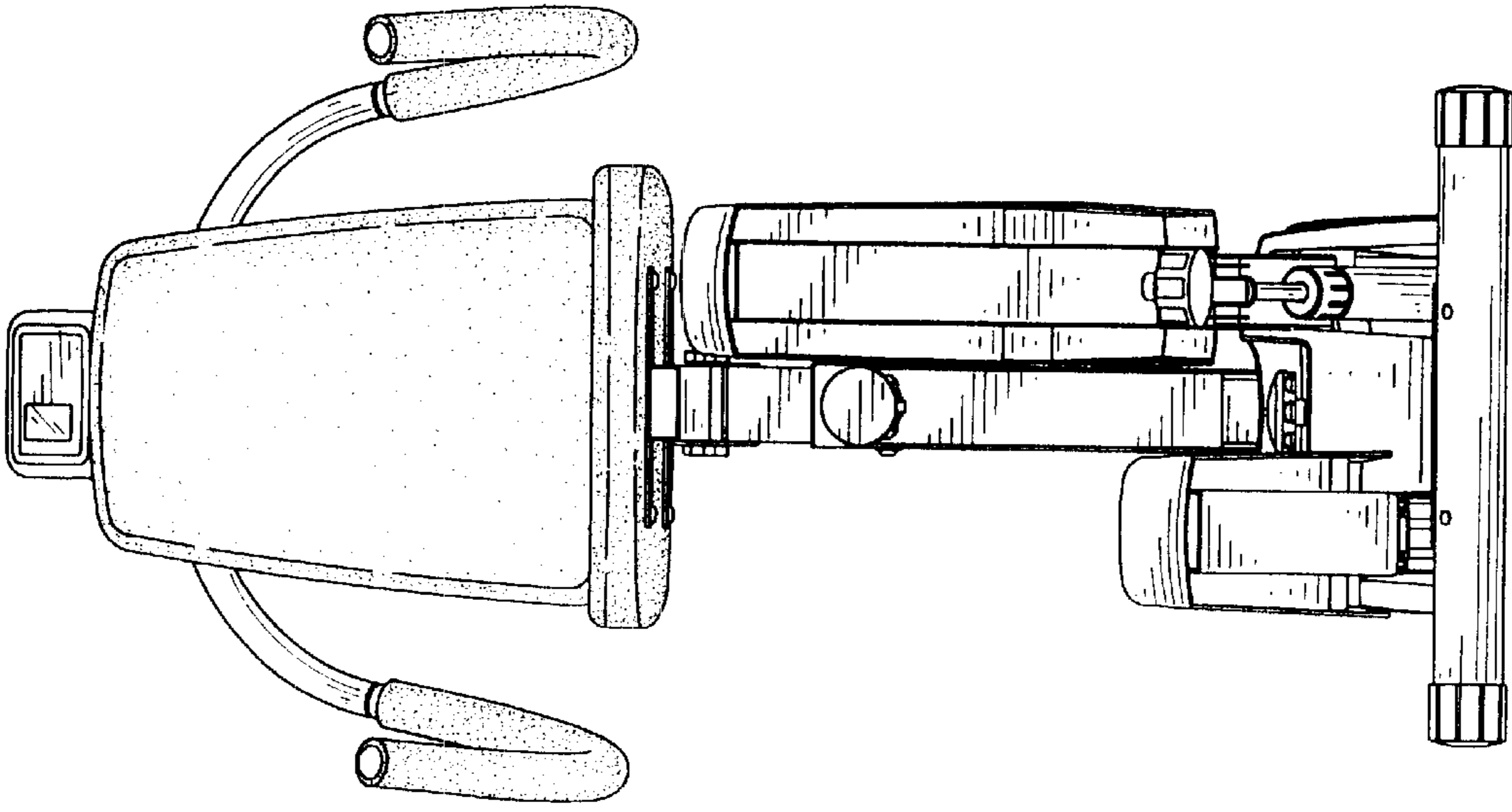


FIG. 5

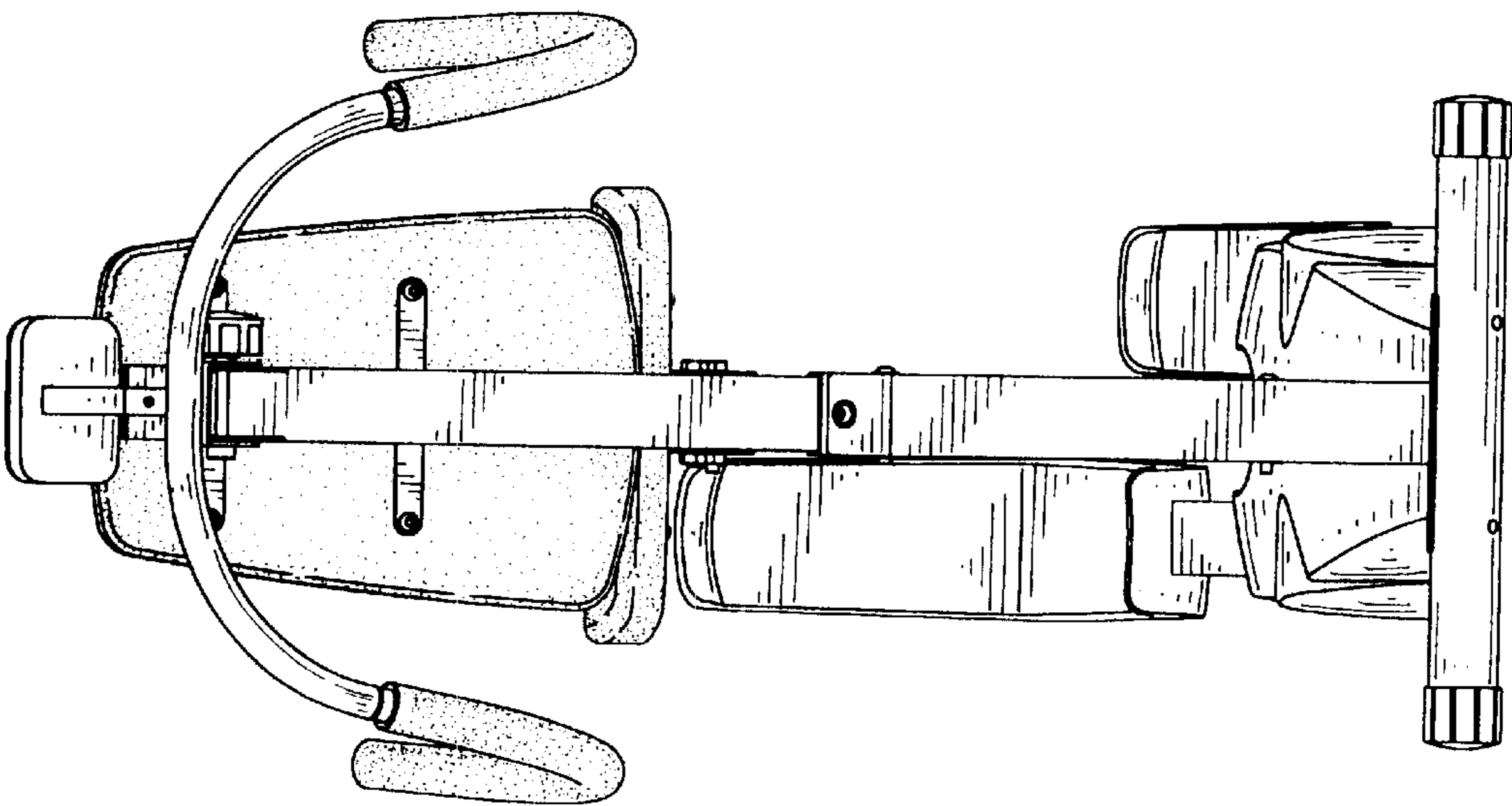


FIG. 4

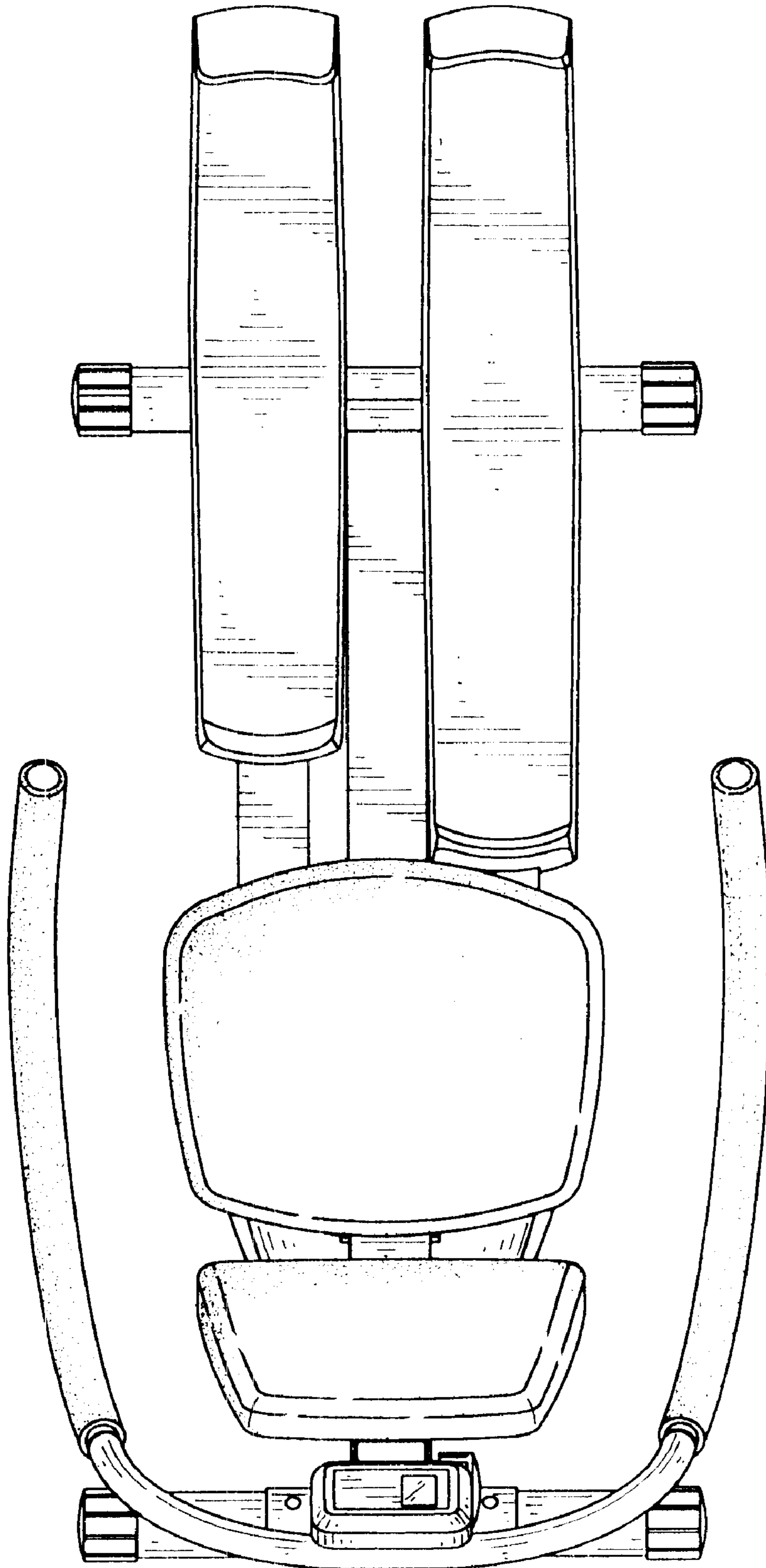


FIG. 6

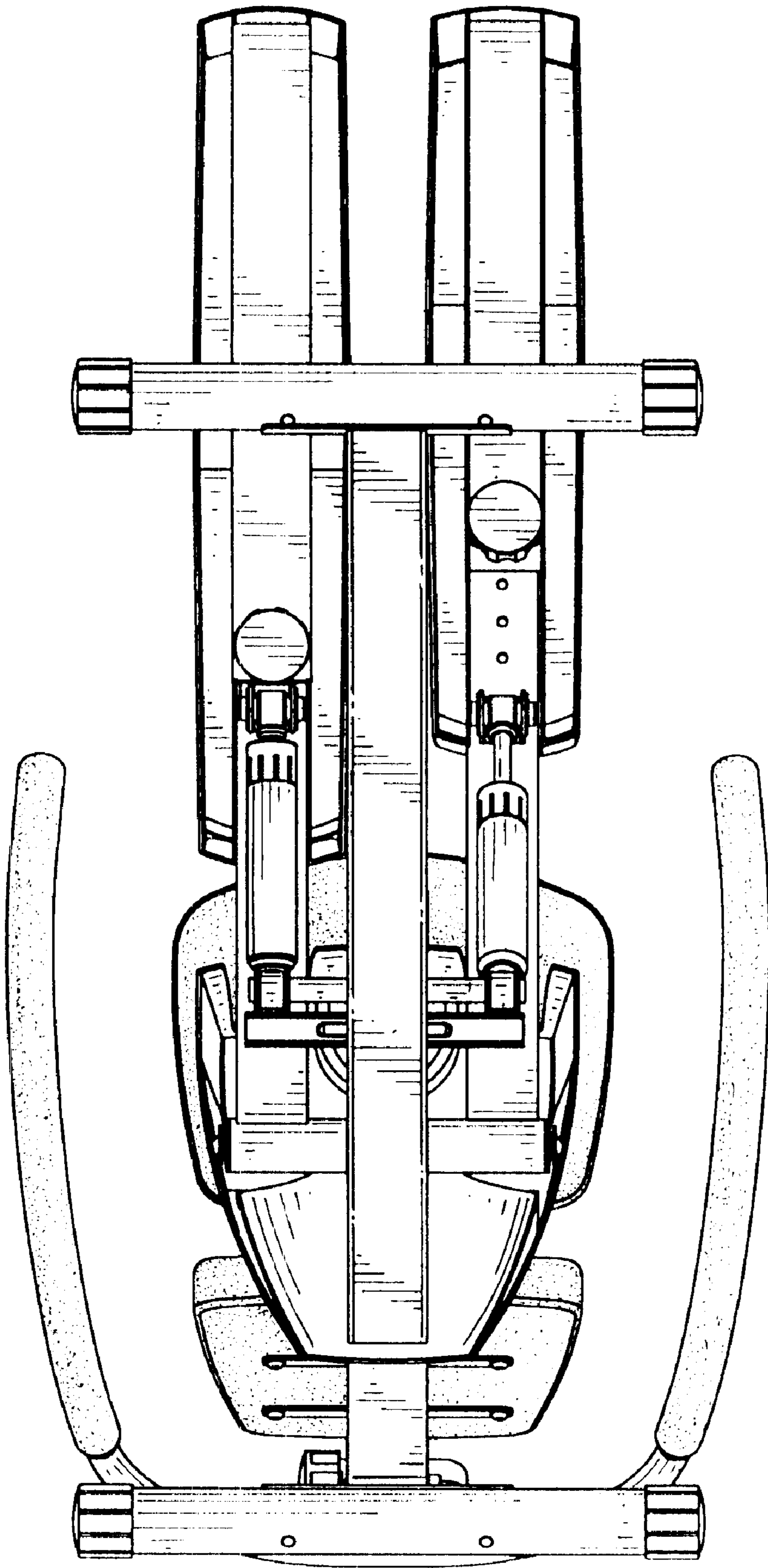


FIG. 7