



US00D452715B1

(12) **United States Design Patent**  
**Jang**

(10) **Patent No.:** **US D452,715 S**

(45) **Date of Patent:** **\*\* Jan. 1, 2002**

(54) **TOY VEHICLE**

(76) **Inventor:** **Jiann Lian Jang**, No. 6-3, Sheng Lih Road, Jen Teh Hsiang, Tainan Hsien (TW)

(\*\*) **Term:** **14 Years**

(21) **Appl. No.:** **29/141,924**

(22) **Filed:** **May 16, 2001**

(30) **Foreign Application Priority Data**

Dec. 6, 2000 (TW) ..... 089308165

(51) **LOC (7) Cl.** ..... **21-01**

(52) **U.S. Cl.** ..... **D21/419; D21/424**

(58) **Field of Search** ..... D21/419-435, D21/533, 534, 535; D12/130; 280/87.01, 87.021, 87.041, 87.042, 87.05, 87.051; 446/465, 468, 470

(56) **References Cited**

**U.S. PATENT DOCUMENTS**

1,432,612 A \* 10/1922 O'Connor ..... 280/87.051

D193,624 S \* 9/1962 Wolner ..... D21/424  
3,339,939 A \* 9/1967 Bowers ..... 280/87.01  
3,438,642 A \* 4/1969 Kite et al. .... D21/421  
5,938,218 A \* 8/1999 Chuang ..... 280/87.021  
5,997,017 A \* 12/1999 Tilley ..... 280/87.021  
D418,546 S \* 1/2000 Jones, Jr. et al. .... D21/424  
D421,282 S \* 2/2000 Orr ..... D21/423  
D440,607 S \* 4/2001 Mahlow ..... D21/419

\* cited by examiner

*Primary Examiner*—Raphael Barkai

(57) **CLAIM**

The ornamental design for a toy vehicle, as shown.

**DESCRIPTION**

FIG. 1 is a perspective view of a toy vehicle showing my new design:

FIG. 2 is a front side elevational view thereof;

FIG. 3 is a rear side elevational view thereof;

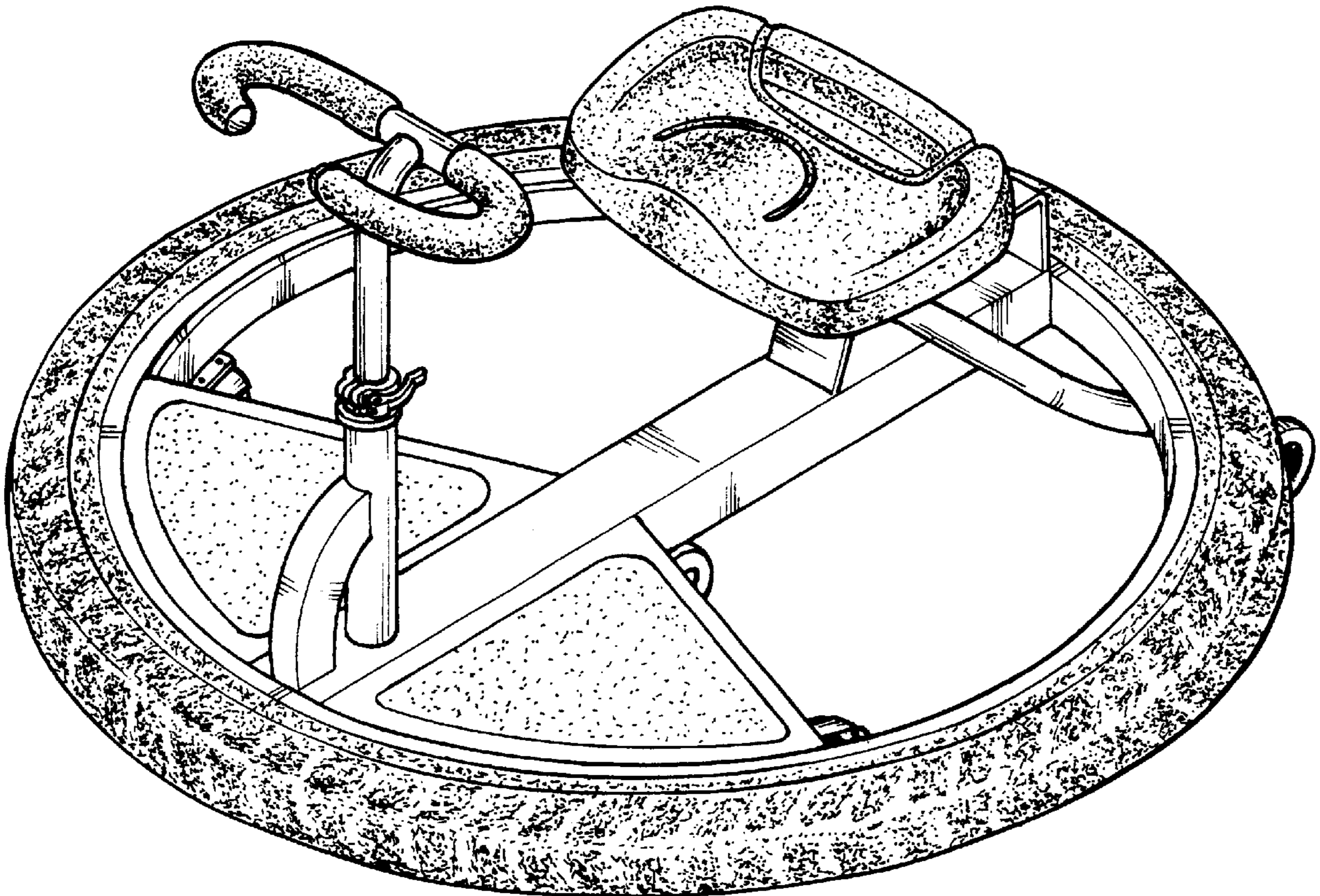
FIG. 4 is a left view thereof;

FIG. 5 is a right view thereof;

FIG. 6 is a top plan view thereof; and,

FIG. 7 is a bottom plan view thereof.

**1 Claim, 7 Drawing Sheets**



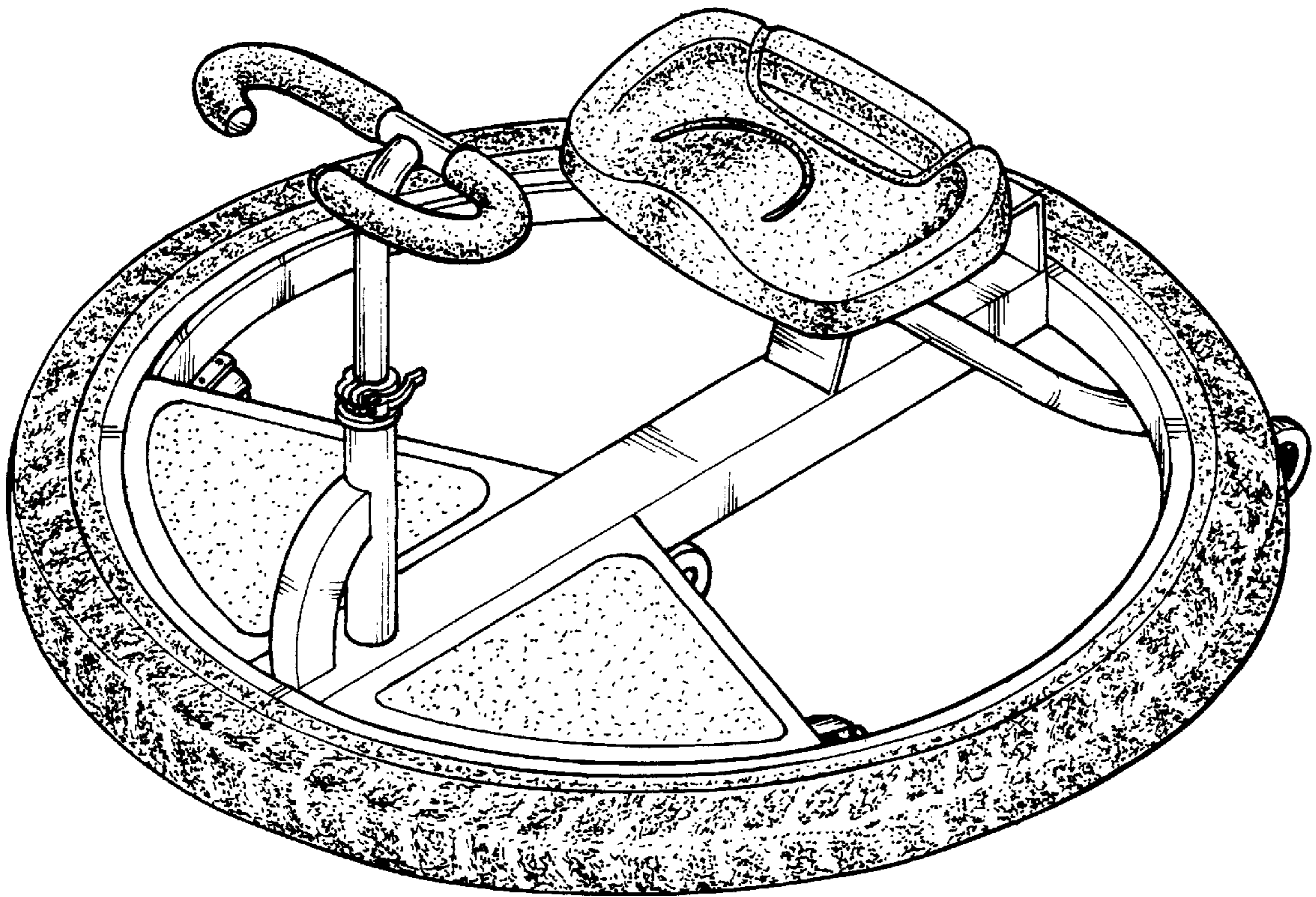


FIG. 1

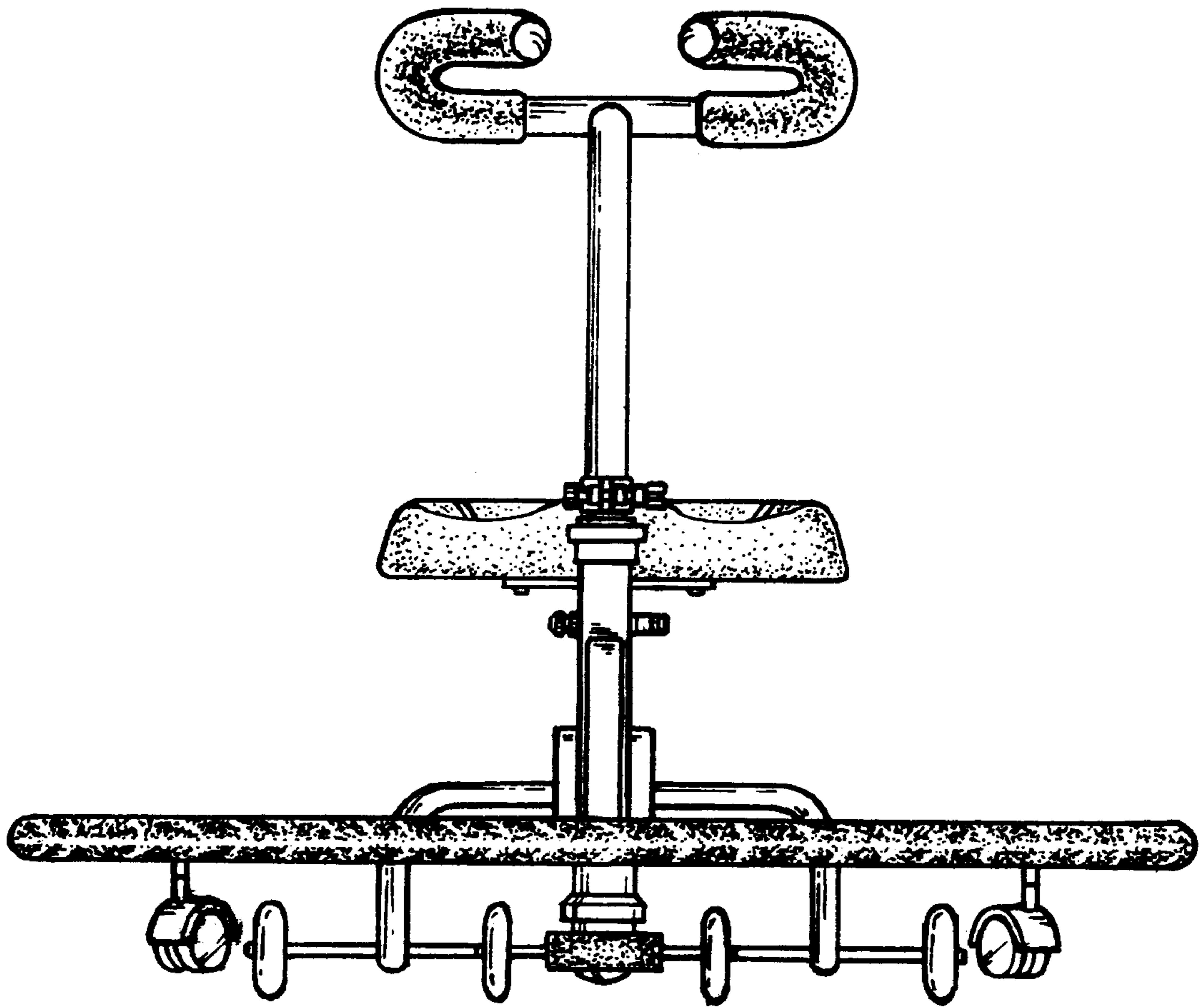
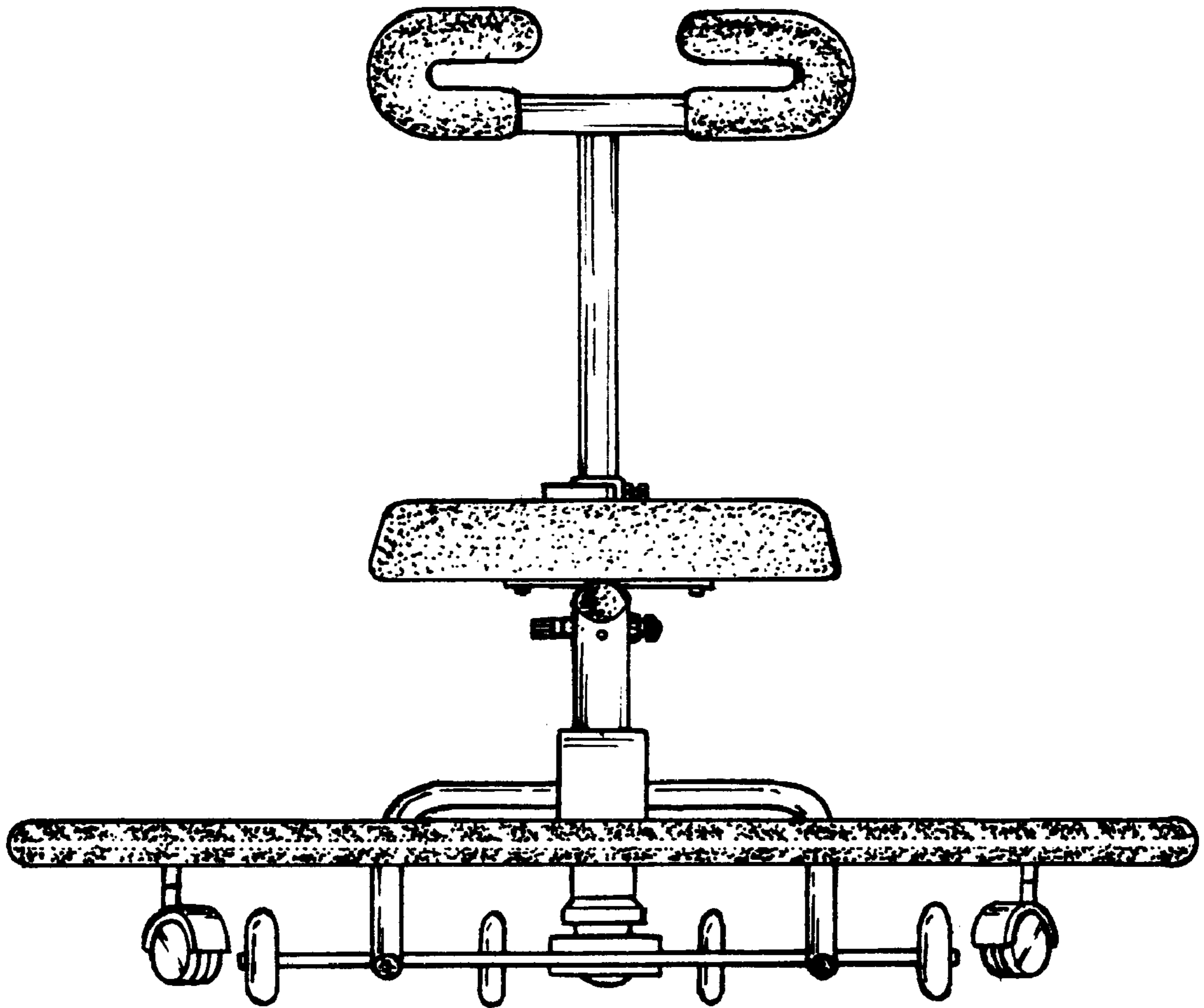


FIG. 2



**FIG. 3**

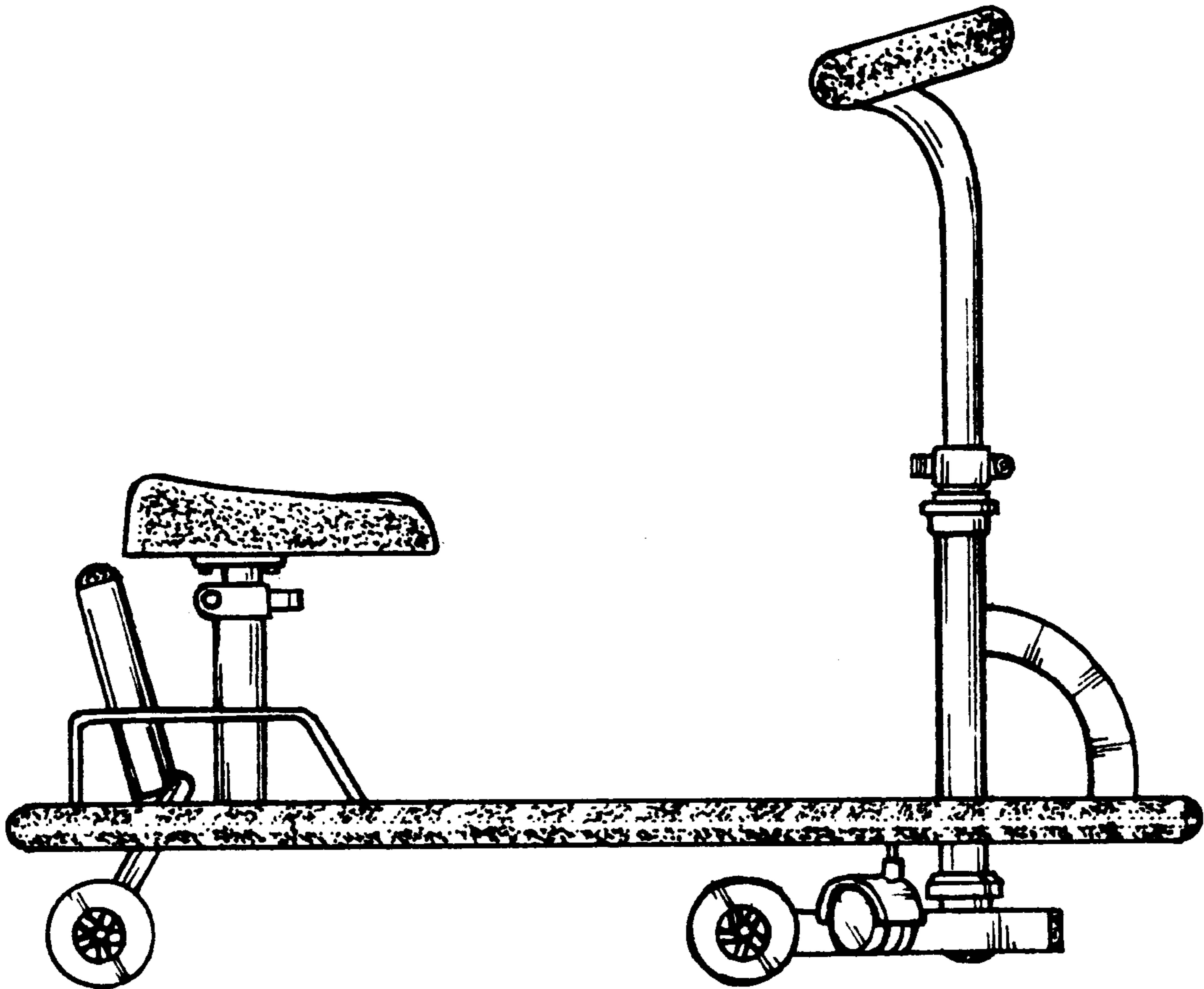


FIG. 4

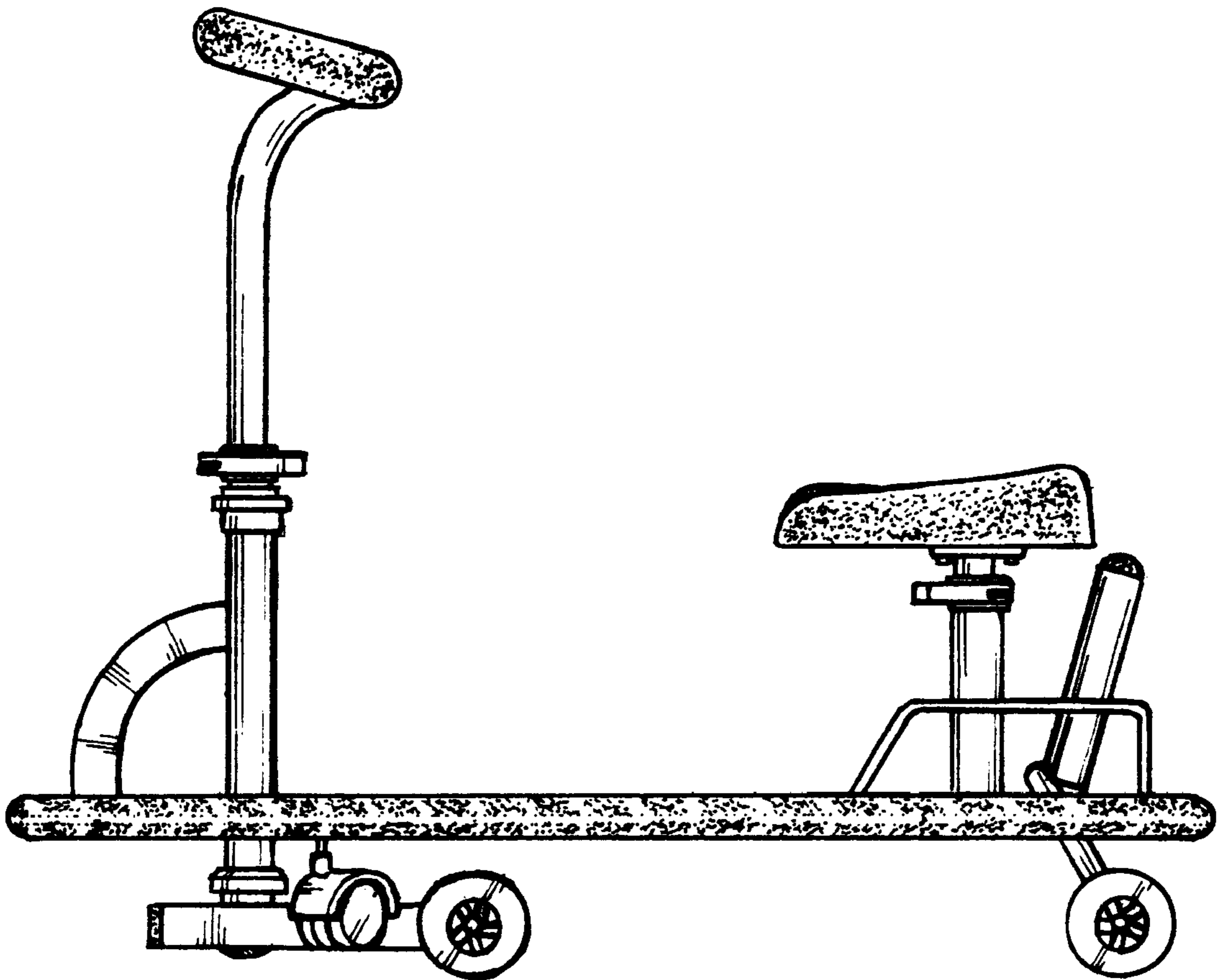
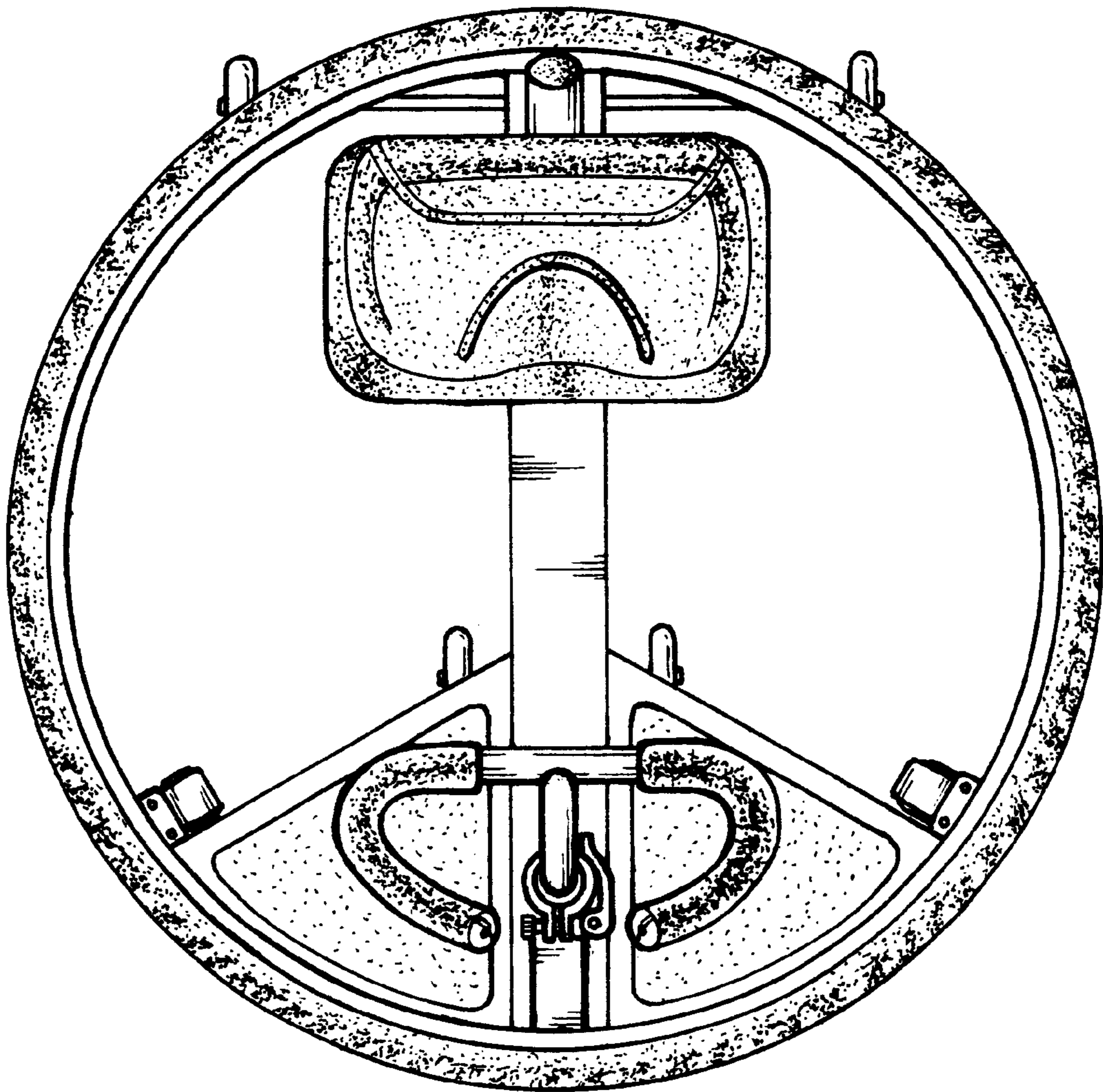


FIG. 5



**FIG. 6**

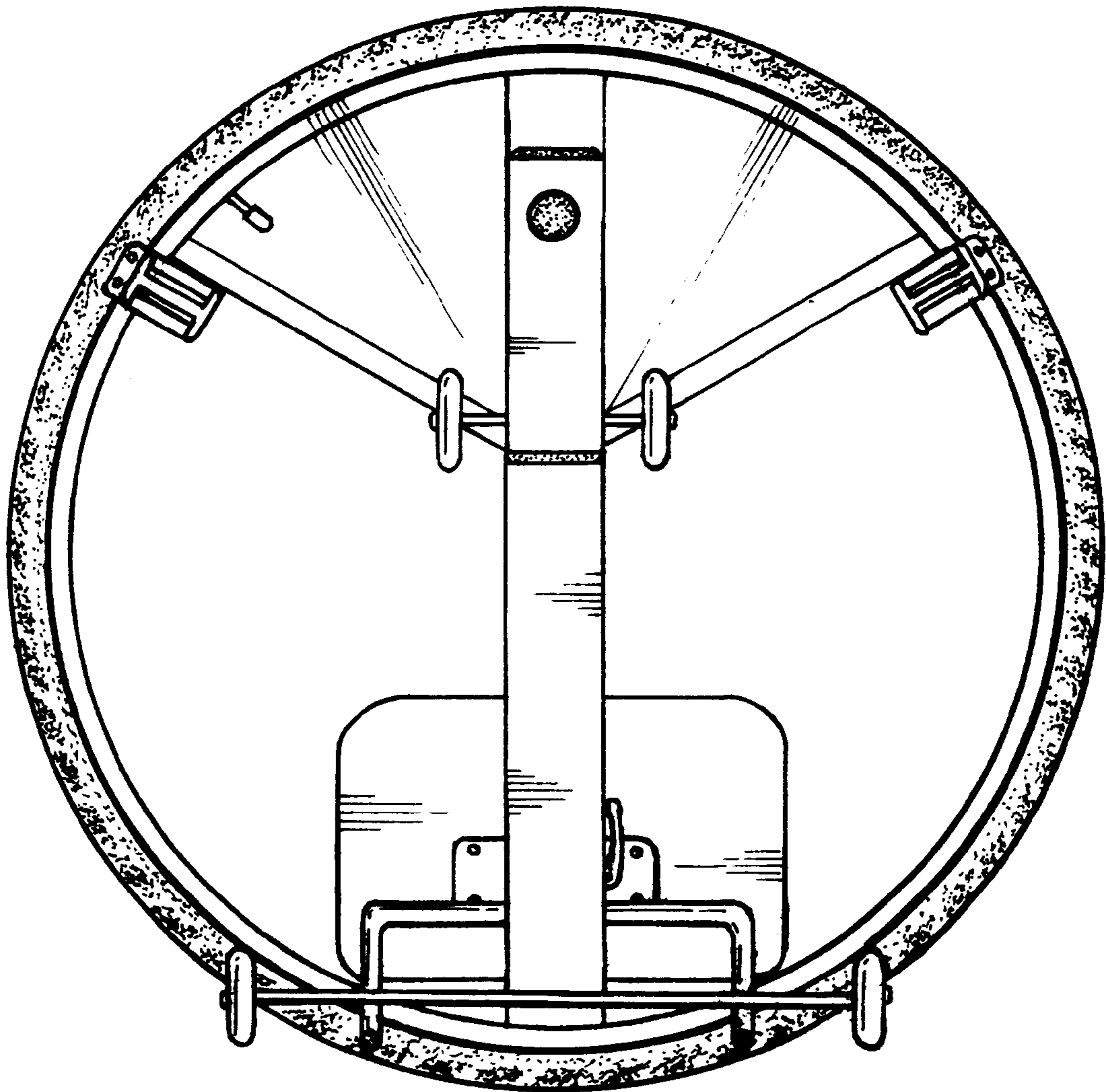


FIG. 7