



US00D452713B1

(12) **United States Design Patent**
Badertscher

(10) **Patent No.:** **US D452,713 S**
(45) **Date of Patent:** **** Jan. 1, 2002**

(54) **BOARD FOR DISPLAYING COOKIE CUTTERS**

(76) **Inventor:** **Linda S. Badertscher**, P.O. Box 317,
Nashville, OH (US) 44661

(**) **Term:** **14 Years**

(21) **Appl. No.:** **29/127,256**

(22) **Filed:** **Aug. 2, 2000**

(51) **LOC (7) Cl.** **20-02**

(52) **U.S. Cl.** **D20/42**

(58) **Field of Search** D20/10, 40, 42,
D20/99; D19/32, 33; 40/107, 108, 158.1,
124.2, 124.4; 211/87.1, 94, 40

(56) **References Cited**

U.S. PATENT DOCUMENTS

D393,562 S * 4/1998 Connly D20/42

* cited by examiner

Primary Examiner—Marcus A. Jackson
(74) *Attorney, Agent, or Firm*—Sand & Sebolt

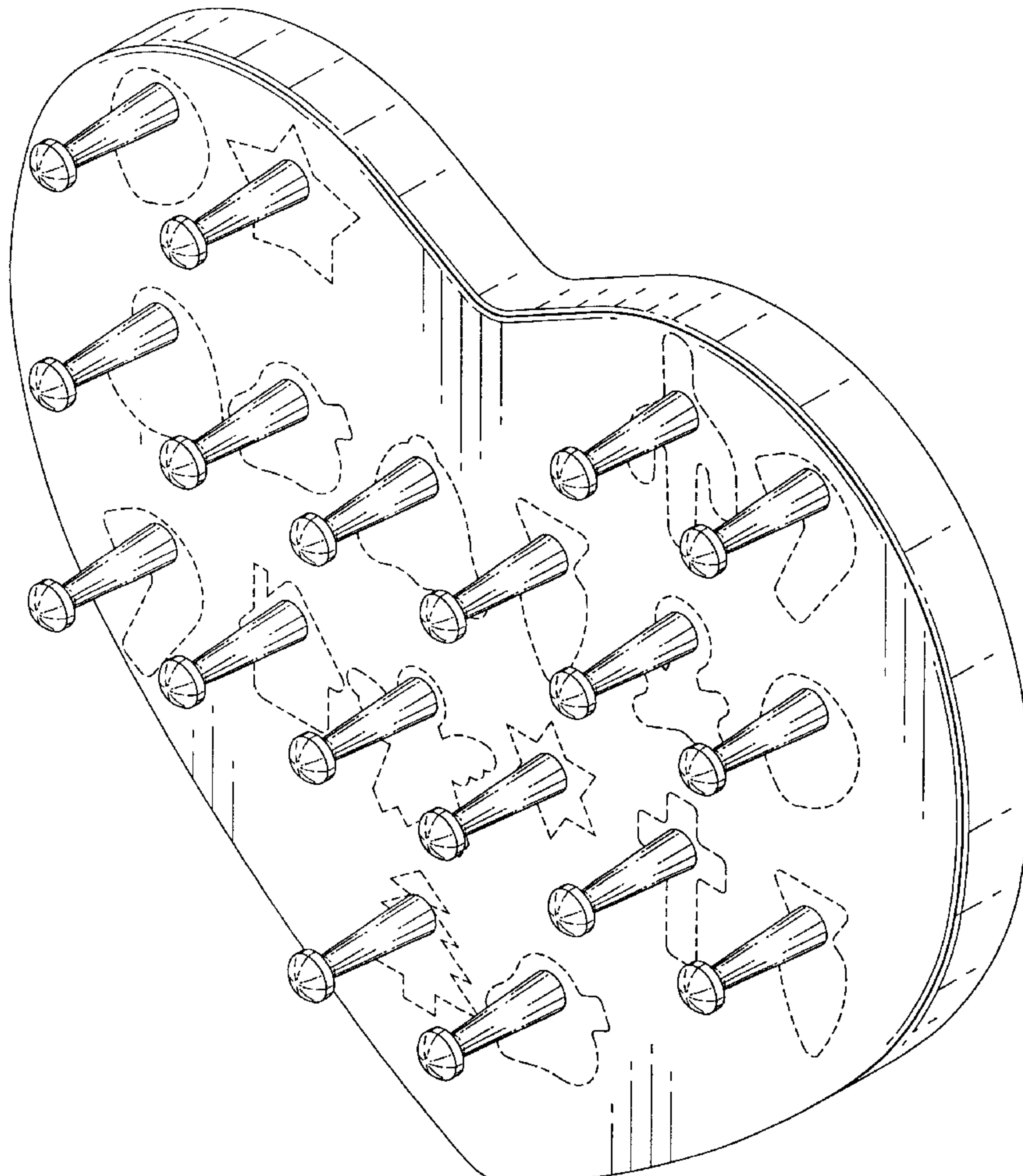
(57) **CLAIM**

The ornamental design for the board for displaying cookie cutters, as shown and described.

DESCRIPTION

FIG. 1 is a perspective view of a first embodiment of a board for displaying cookie cutters showing my new design; FIG. 2 is a front elevational view of the board for displaying cookie cutters as shown in FIG. 1; FIG. 3 is a side view of FIG. 2; FIG. 4 is a top view of FIG. 2; FIG. 5 is a bottom view of FIG. 2; FIG. 6 is a rear elevational view of FIG. 2; FIG. 7 is a perspective view of a second embodiment of a board for displaying cookie cutters showing my new design; FIG. 8 is a front elevational view of the board for displaying cookie cutters shown in FIG. 7; FIG. 9 is a side view of FIG. 8; FIG. 10 is a top view of FIG. 8; FIG. 11 is a bottom view of FIG. 10; and, FIG. 12 is a rear elevational view of FIG. 11. The broken lines showing cookie cutters are for illustrative purposes only and form no part of the claimed design.

1 Claim, 9 Drawing Sheets



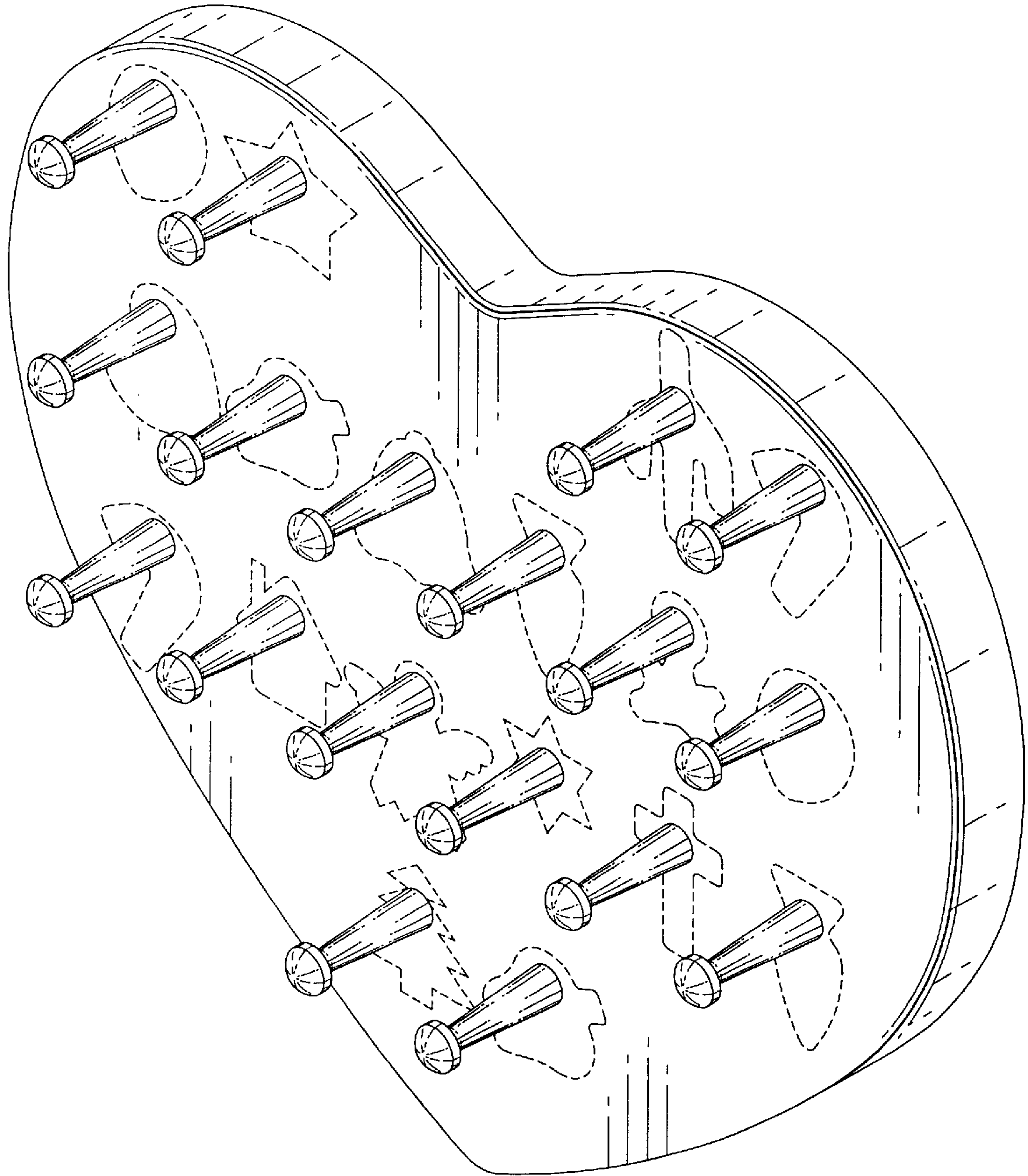


FIG. 1

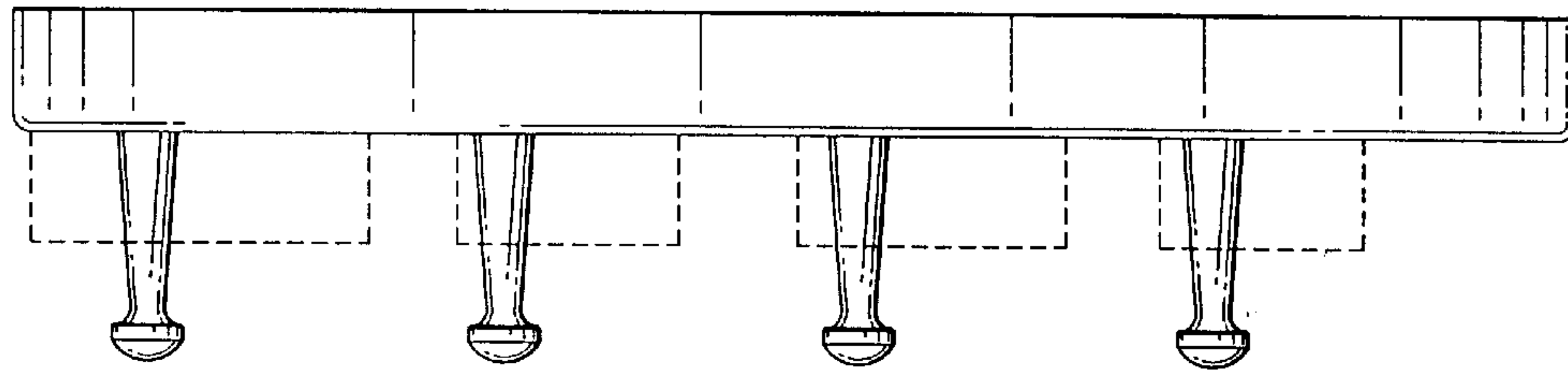


FIG. 3

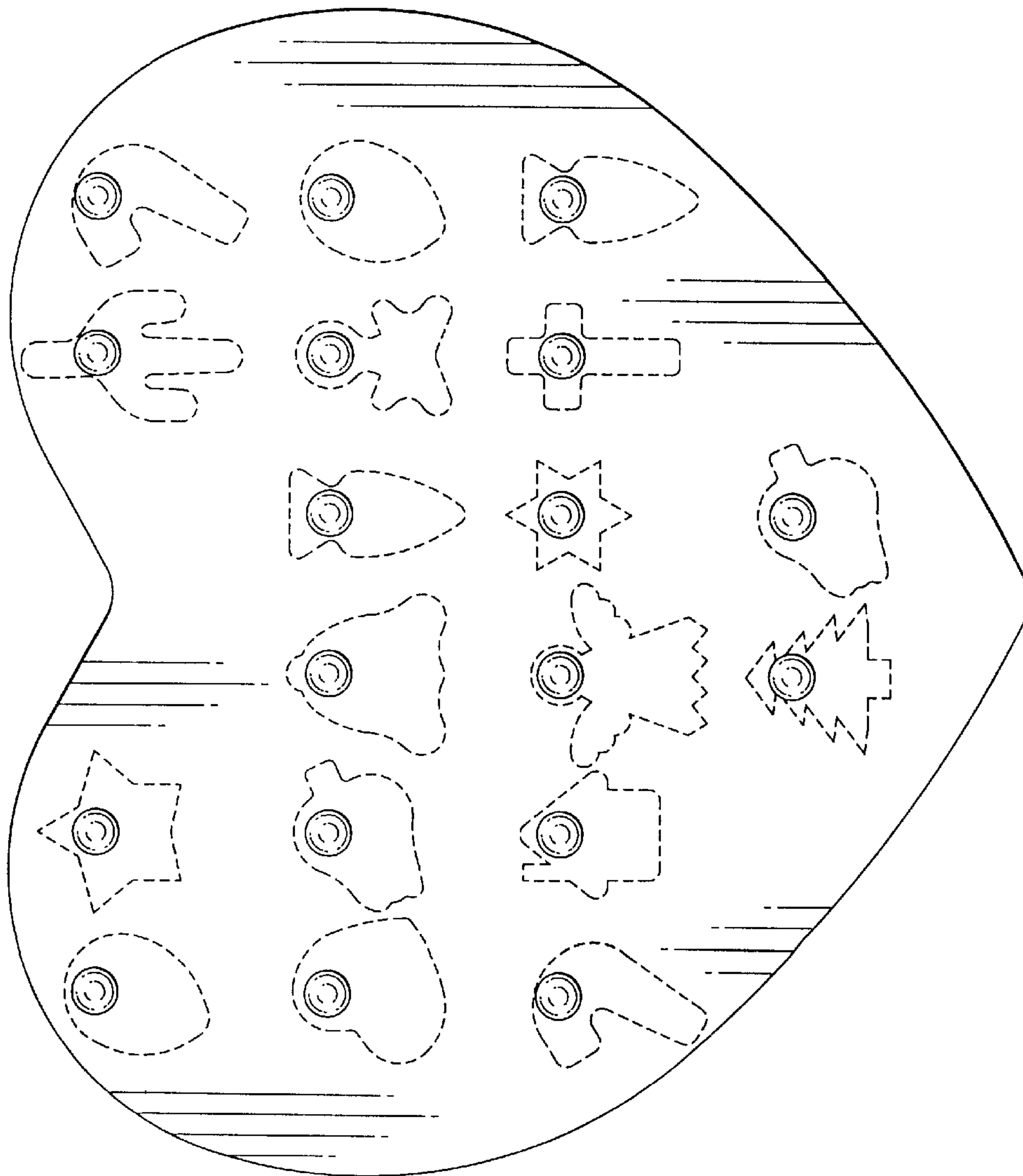


FIG. 2

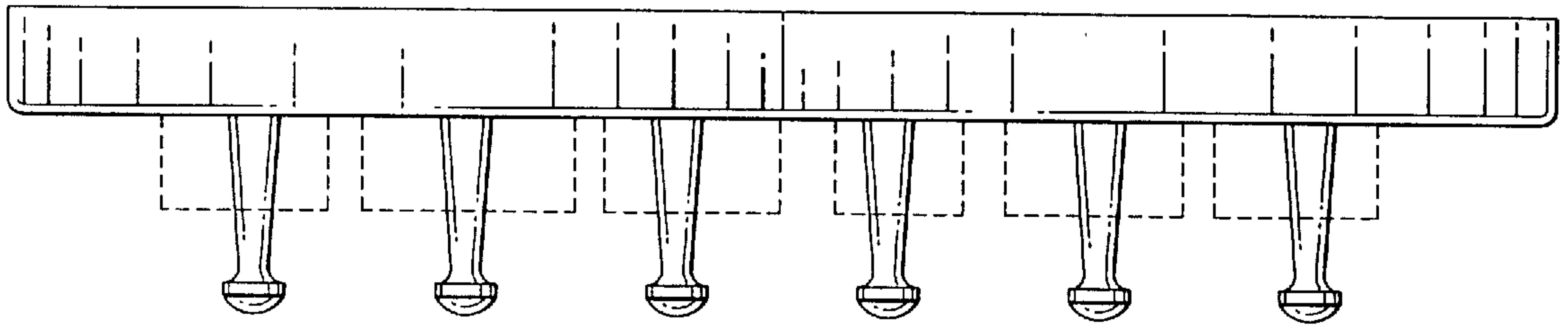


FIG. 4

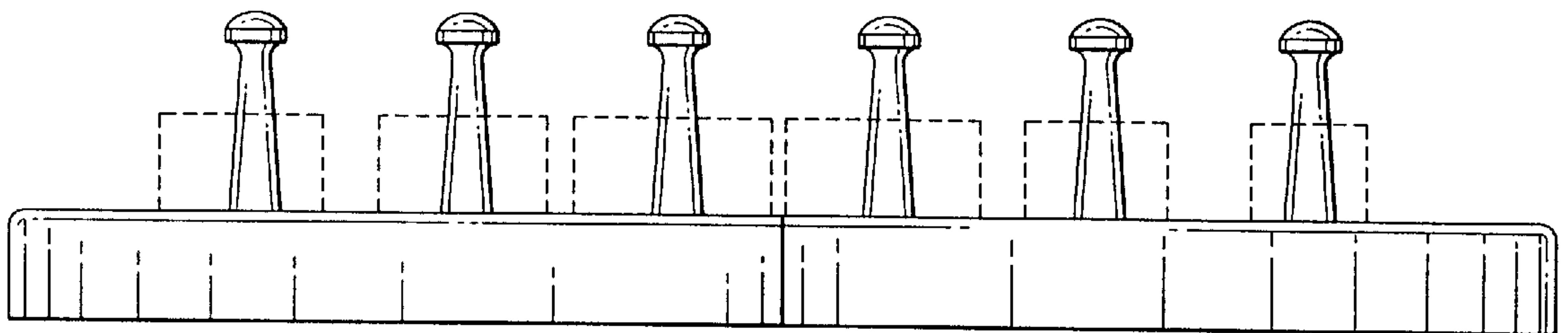


FIG. 5

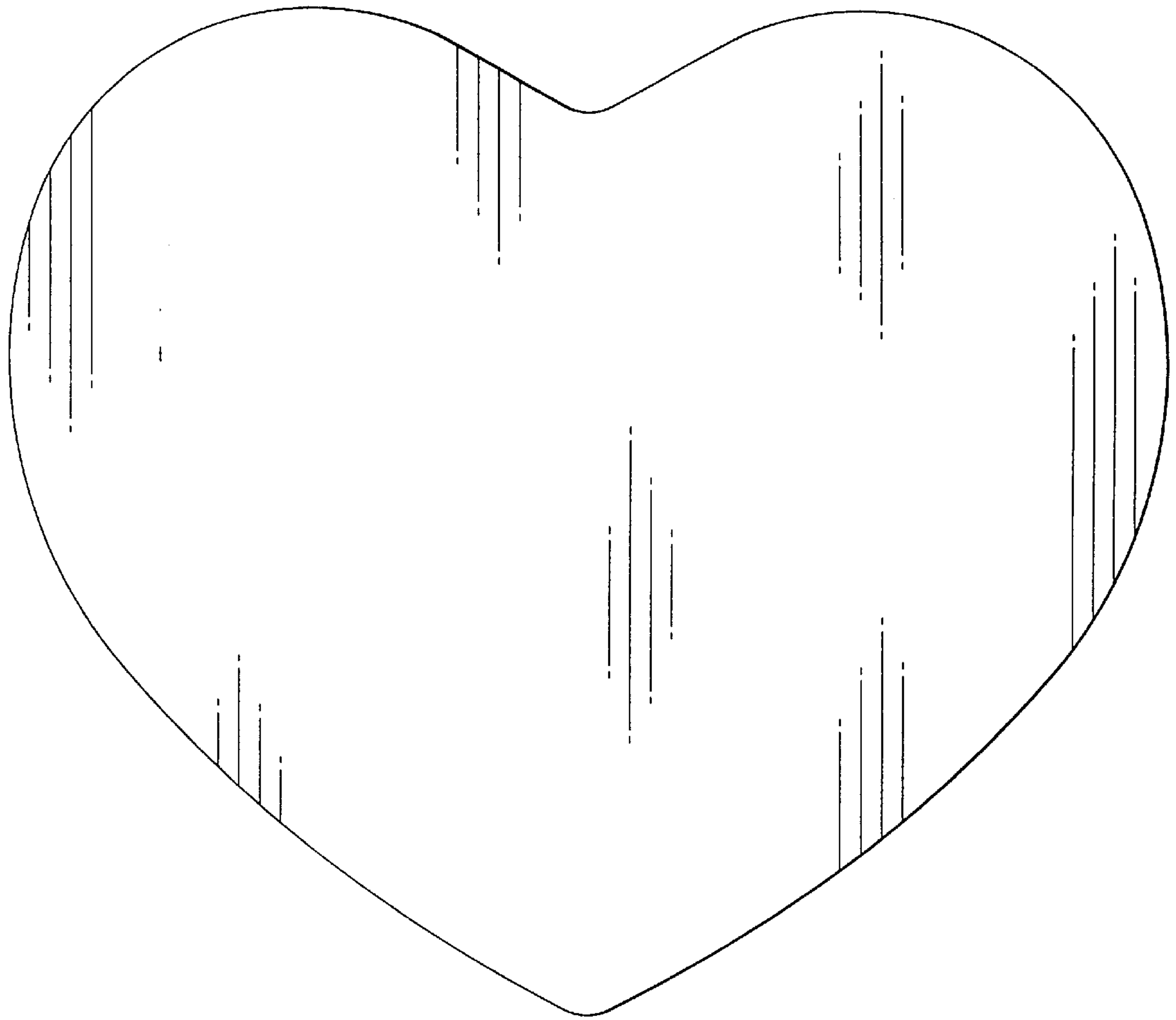


FIG. 6

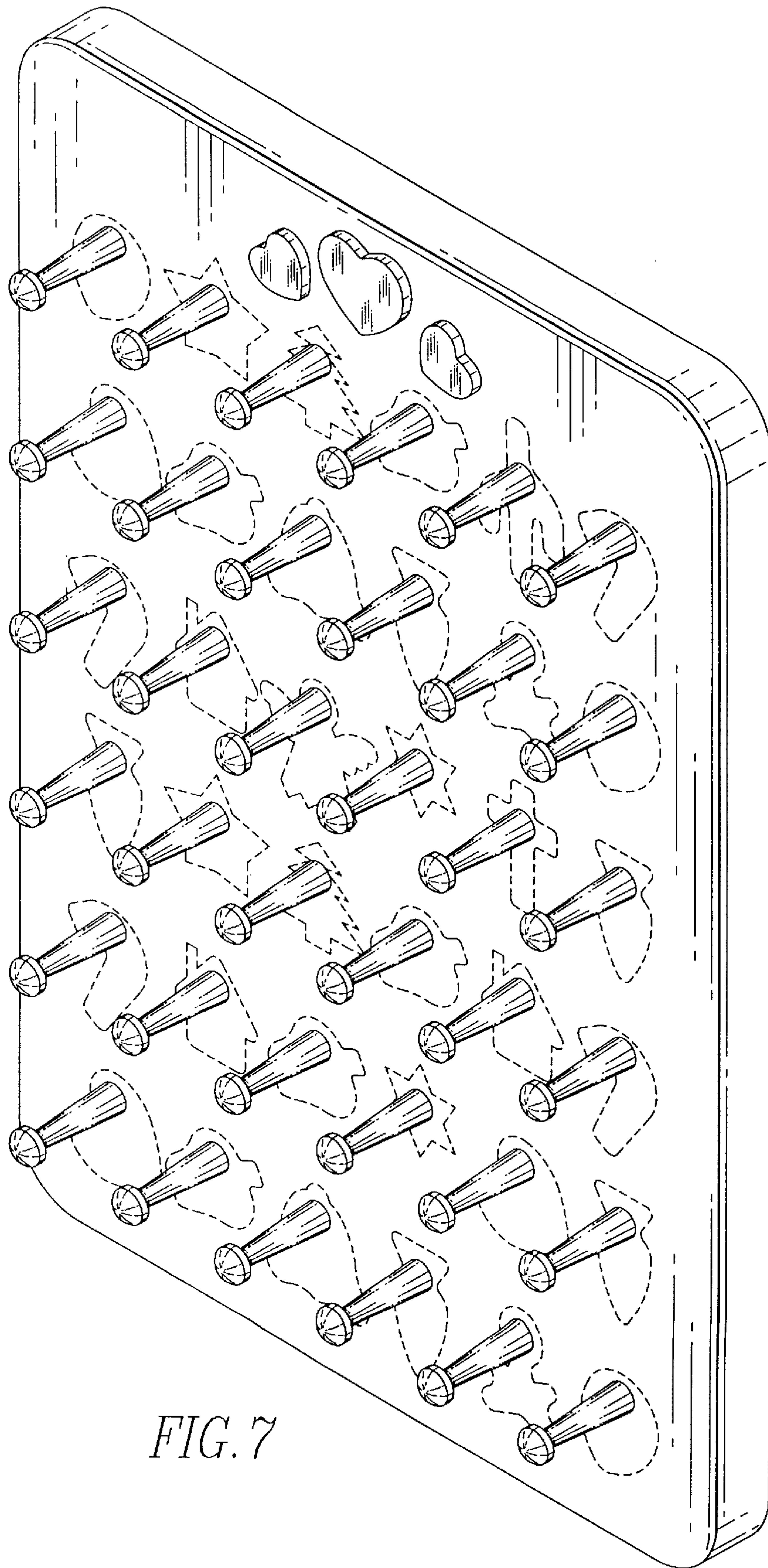


FIG. 7

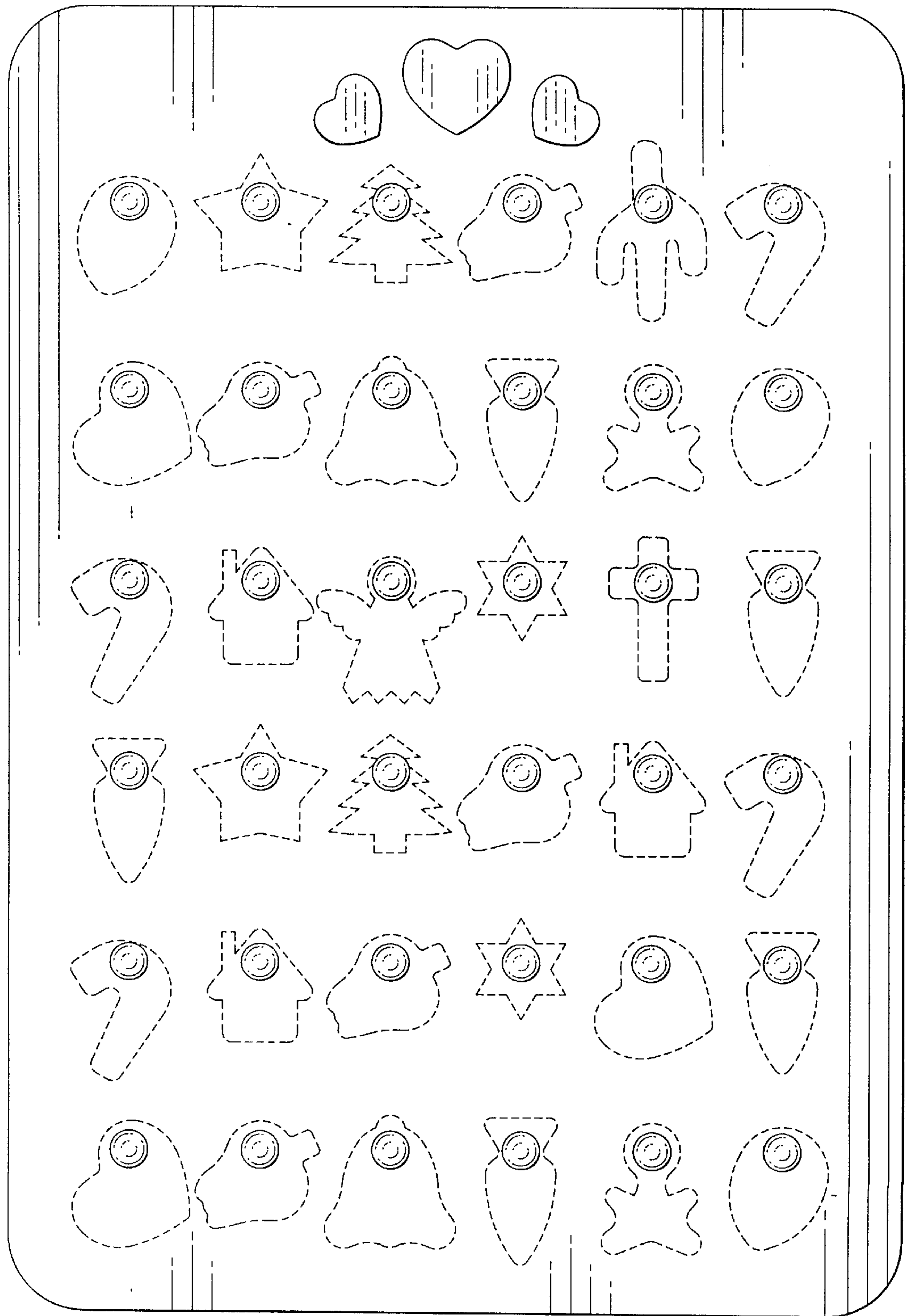


FIG. 8

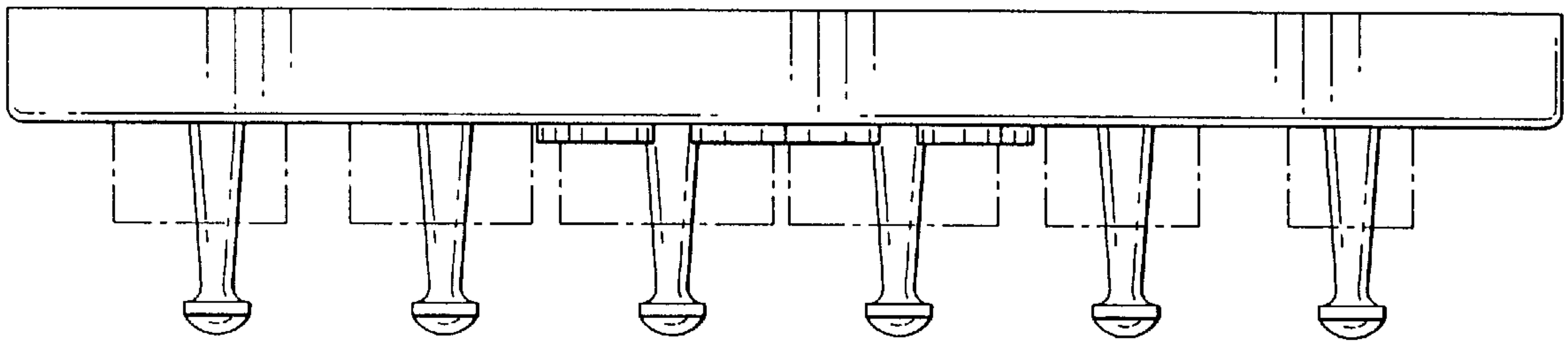


FIG. 9

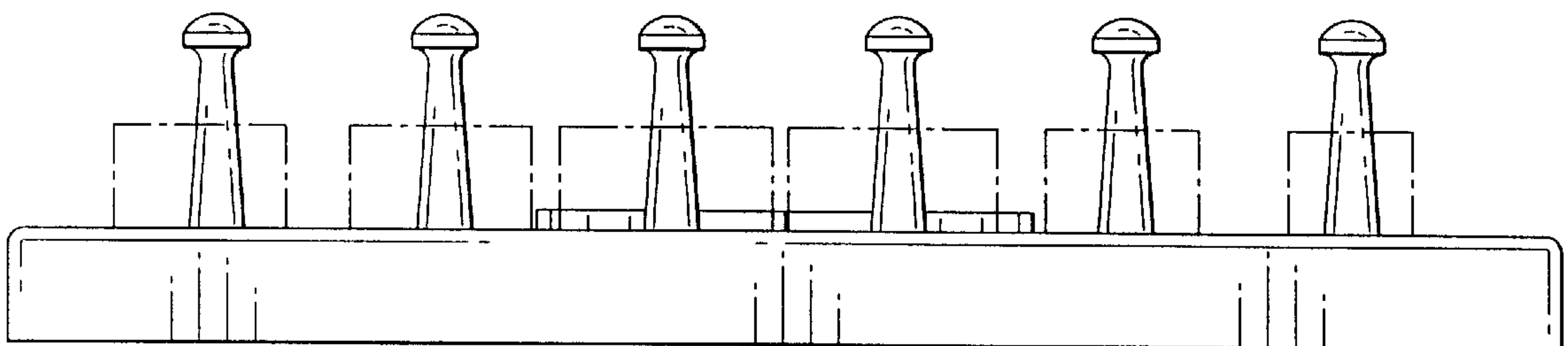


FIG. 10

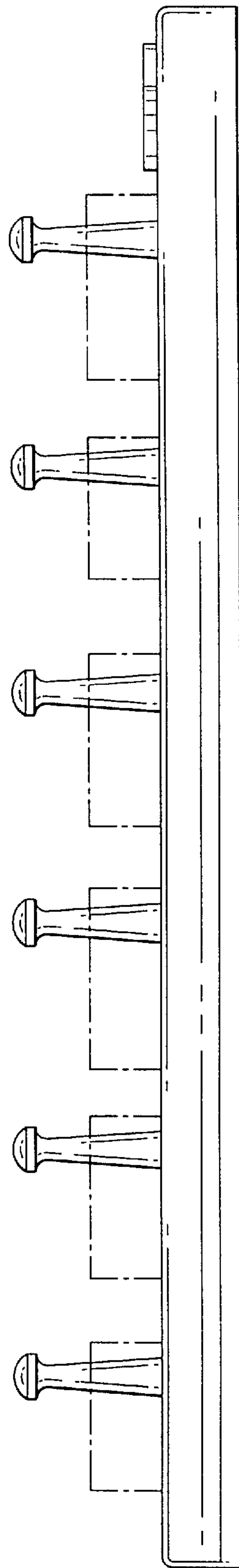


FIG. 11

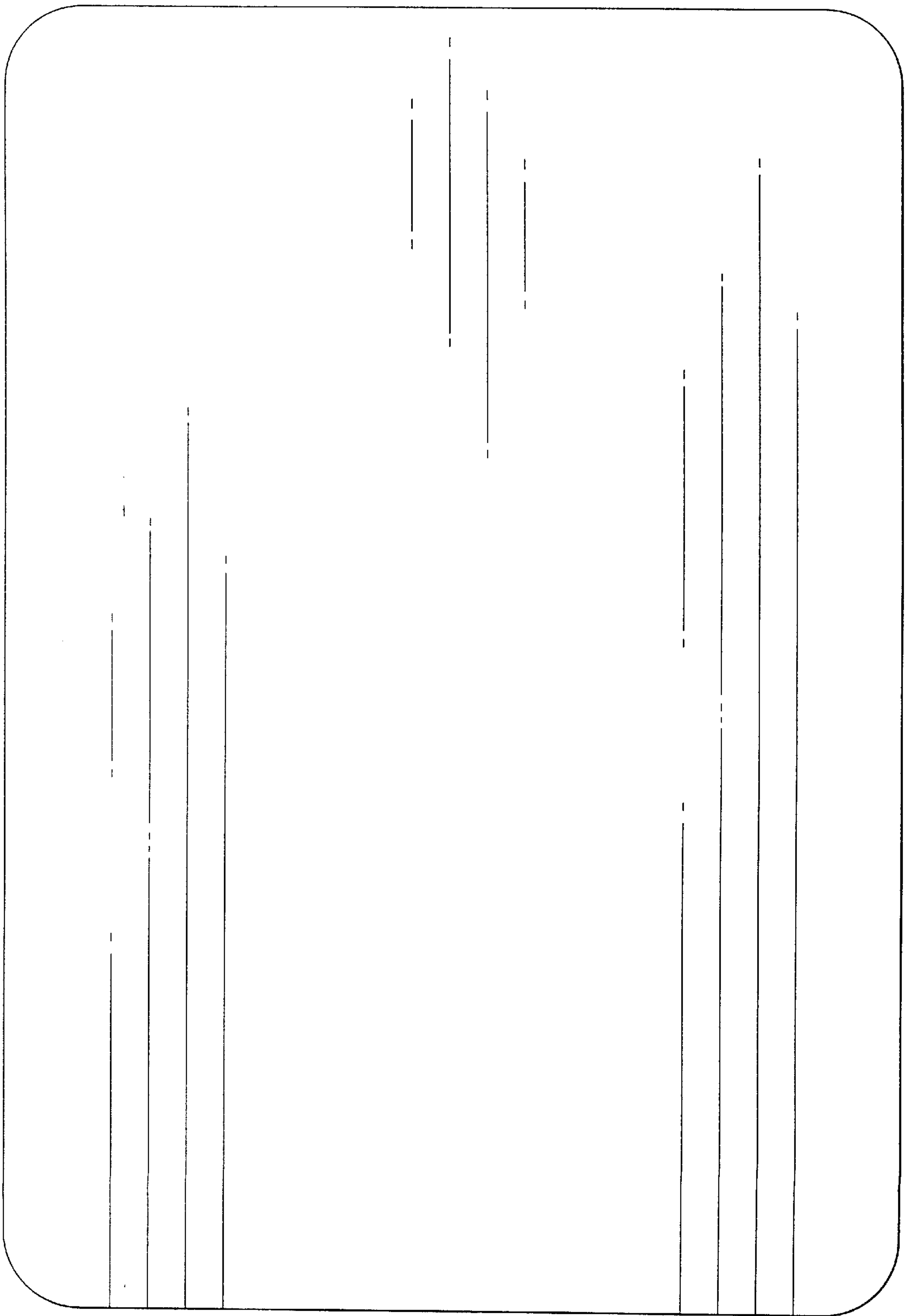


FIG.12