



US00D452711B1

(12) **United States Design Patent**
White et al.

(10) **Patent No.:** **US D452,711 S**
(45) **Date of Patent:** **** Jan. 1, 2002**

(54) **COMPUTER KIOSK**

(75) Inventors: **Todd D. White**, Manhattan Beach;
Andy S. Vong, Venice, both of CA
(US)

(73) Assignee: **Neptune Networks, Inc.**, Los Angeles,
CA (US)

(**) Term: **14 Years**

(21) Appl. No.: **29/132,586**

(22) Filed: **Nov. 9, 2000**

(51) **LOC (7) Cl.** **19-08**

(52) **U.S. Cl.** **D20/10**

(58) **Field of Search** D20/10, 39, 40,
D20/42, 99; D14/101, 107, 140, 142; 40/584,
540, 545, 624

(56) **References Cited**

U.S. PATENT DOCUMENTS

| | | | | | |
|------------|---|---------|---------------------|-------|--------|
| D419,605 S | * | 1/2000 | Thomas et al. | | D20/10 |
| D420,487 S | * | 2/2000 | Swaine | | D20/10 |
| D424,575 S | * | 5/2000 | Wilson | | D20/10 |
| D425,875 S | * | 5/2000 | Wilson | | D20/10 |
| D435,597 S | * | 12/2000 | Febish et al. | | D20/10 |
| D436,630 S | * | 1/2001 | Gonsiorowski et al. | | D20/10 |

* cited by examiner

Primary Examiner—Marcus A. Jackson
(74) *Attorney, Agent, or Firm*—Knobbe, Martens, Olson &
Bear, LLP.

(57) **CLAIM**

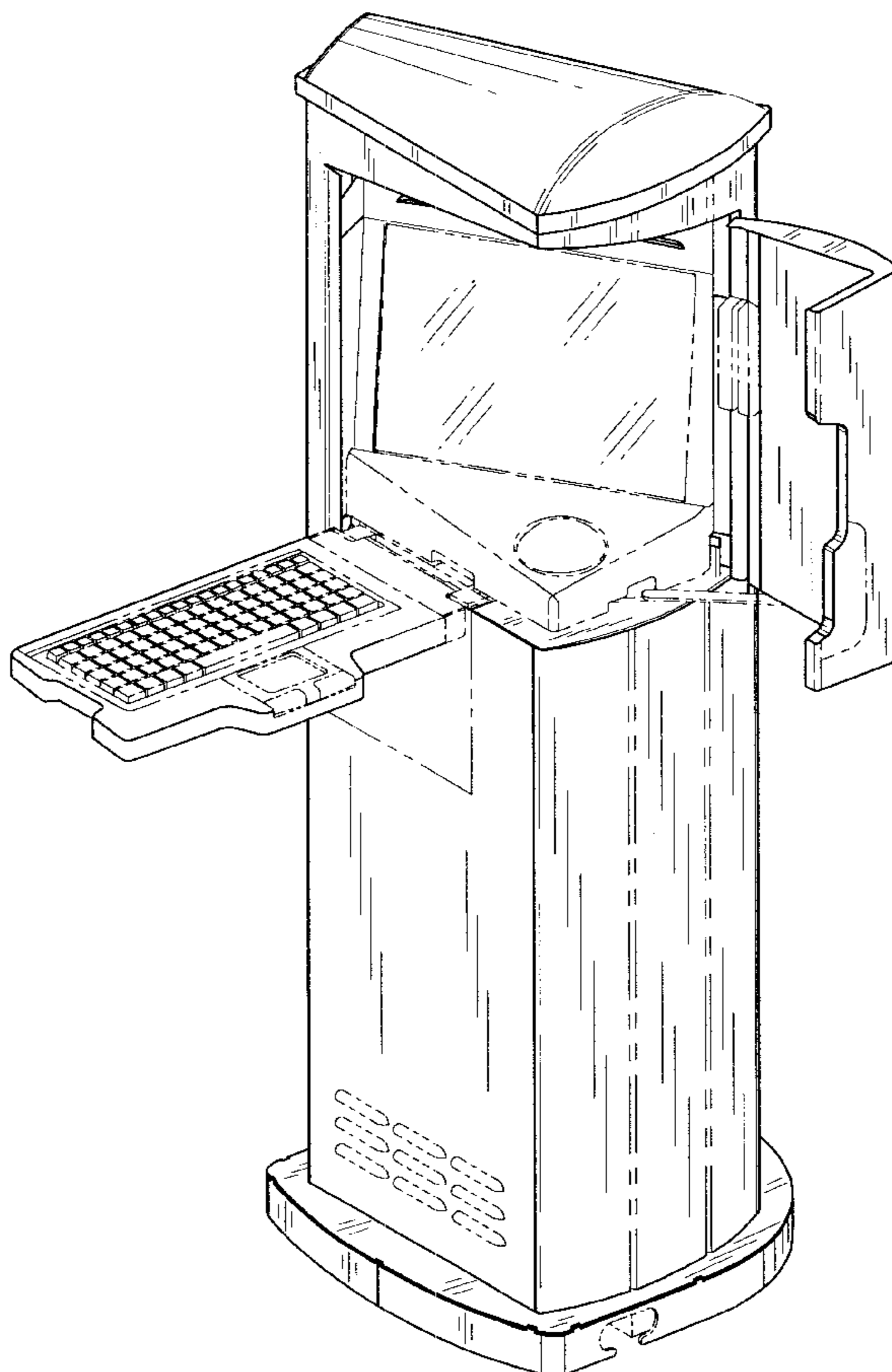
The ornamental design for the computer kiosk, as shown and described.

DESCRIPTION

FIG. 1A is a perspective view of a computer kiosk showing my new design, with the computer kiosk shown in open condition, and with the broken line showing for illustrative purposes only and forming no part of the claimed design; FIG. 1B is a perspective view thereof, with the computer kiosk shown in a closed condition; FIG. 2 is a front elevational view thereof; FIG. 3 is a right side elevational view thereof; FIG. 4 is a rear elevational view thereof; FIG. 5 is a left side elevational view thereof; FIG. 6 is a top plan view thereof; and, FIG. 7 is a bottom plan view thereof.

The phantom lining through the drawing figures is included for purposes of illustrating the computer kiosk only and forms no part of the claimed design.

1 Claim, 8 Drawing Sheets



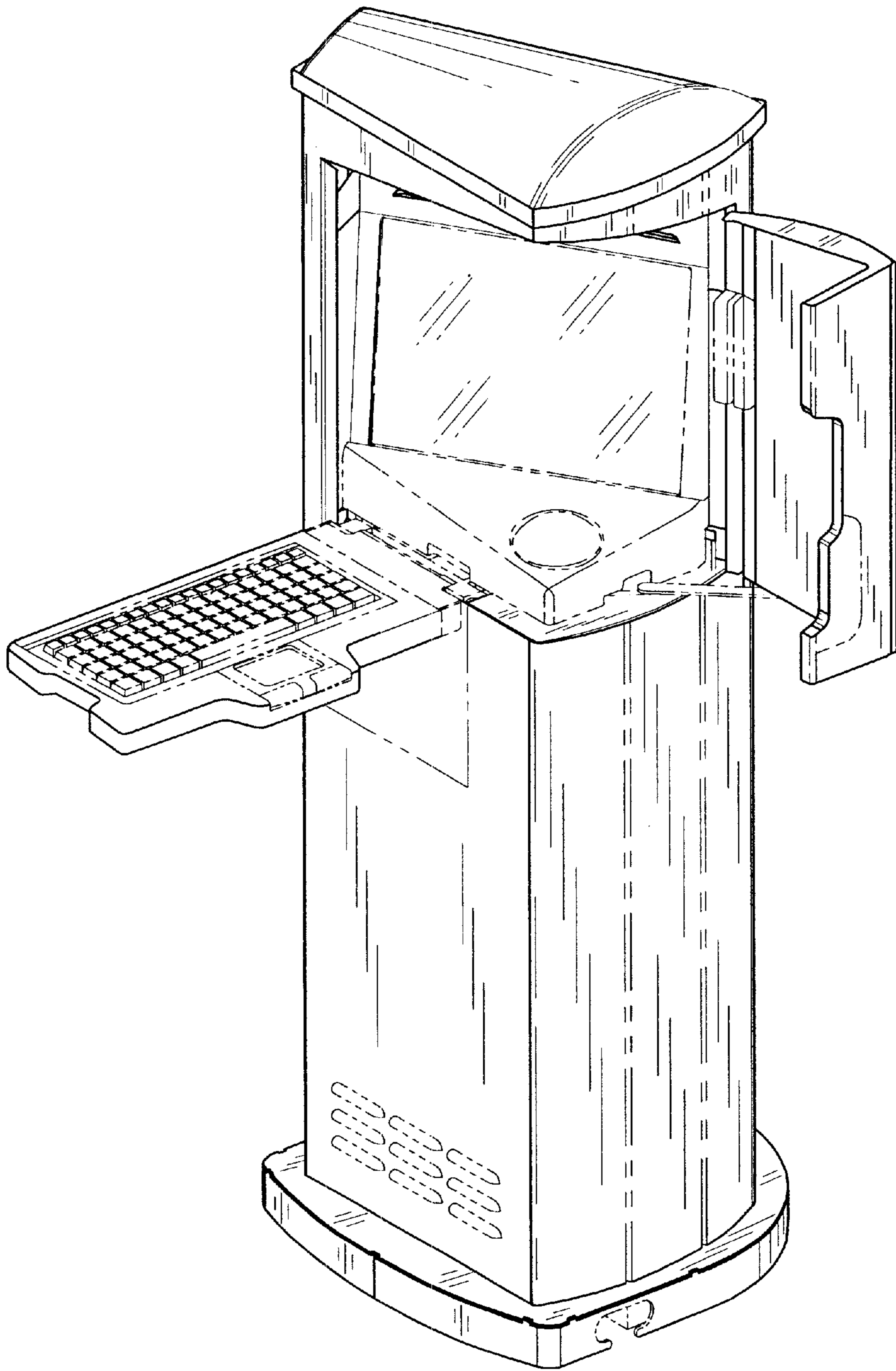


FIG. 1A

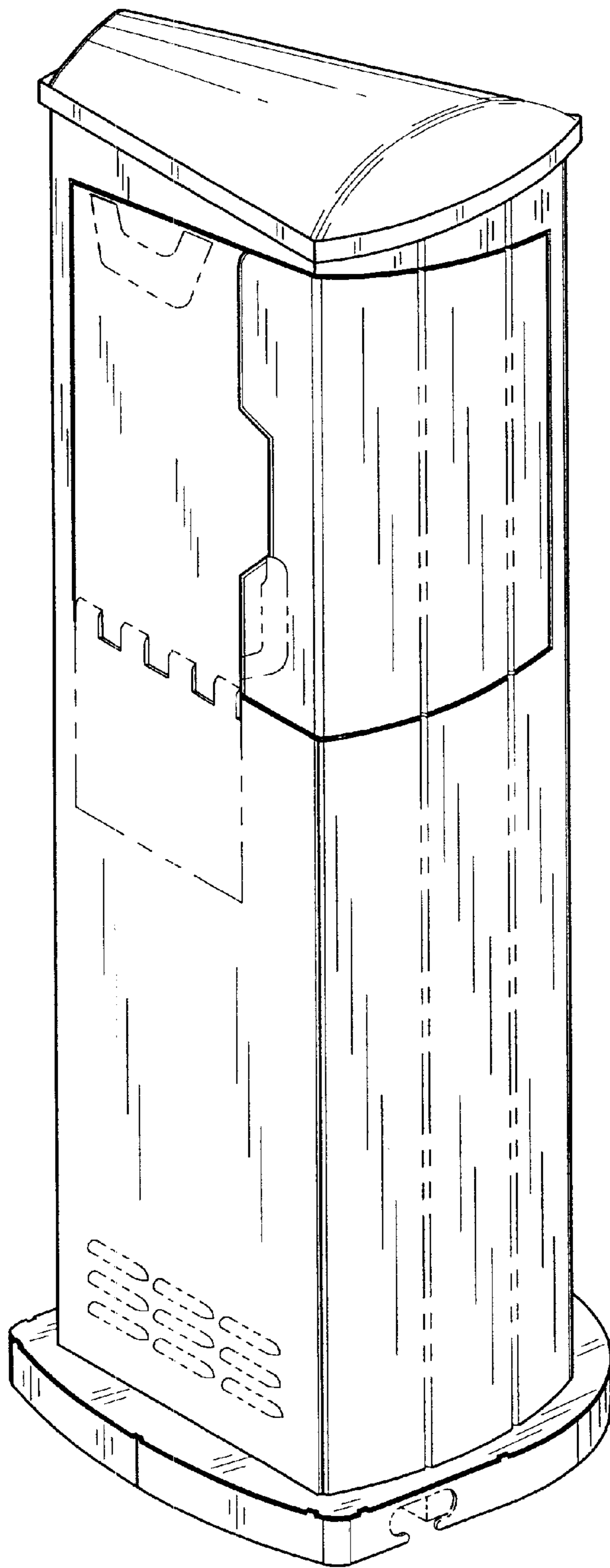


FIG. 1B

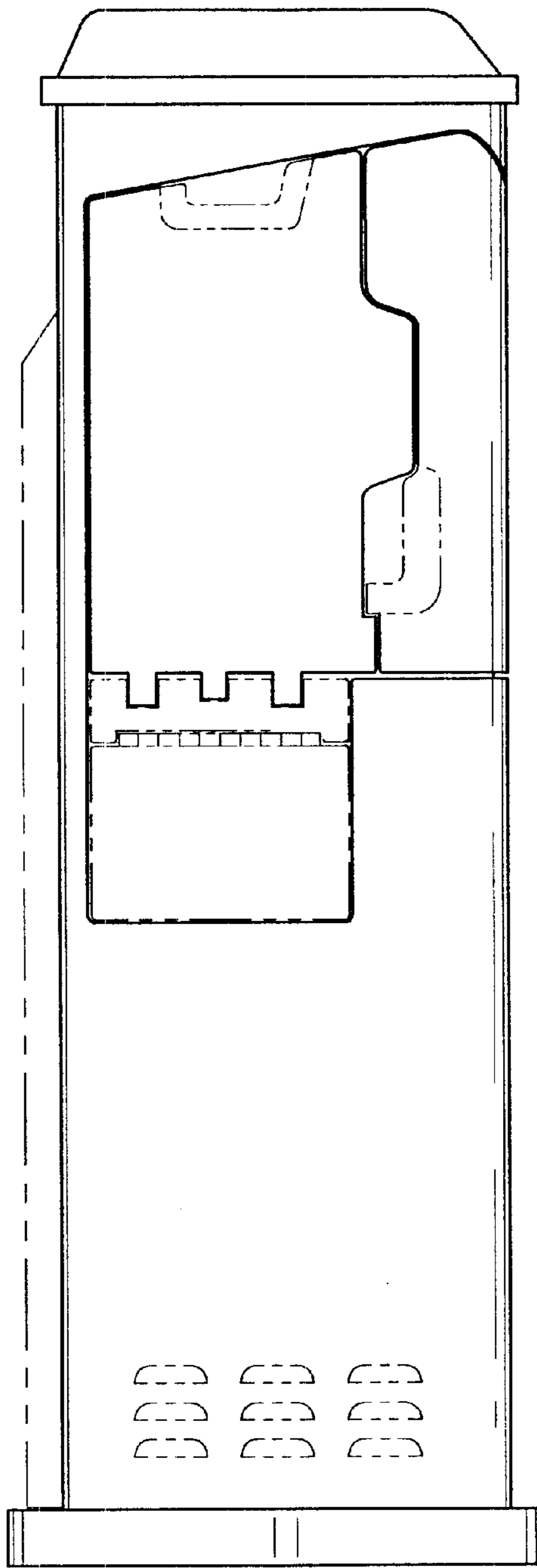


FIG. 2

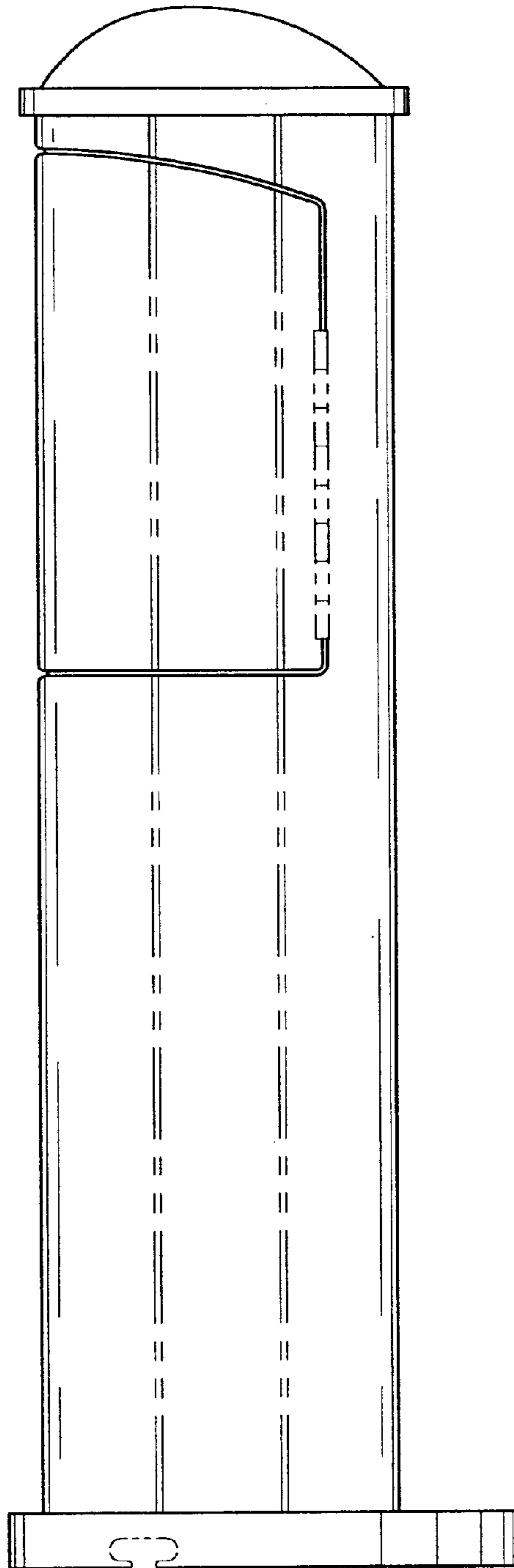


FIG. 3

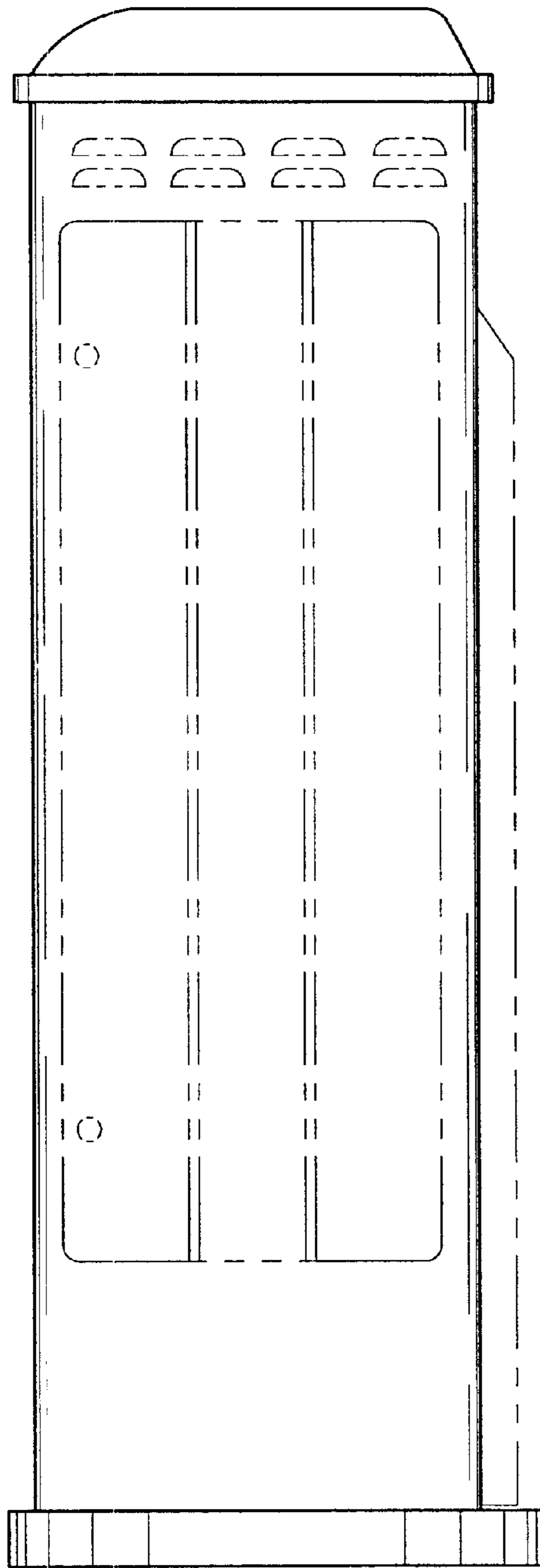


FIG. 4

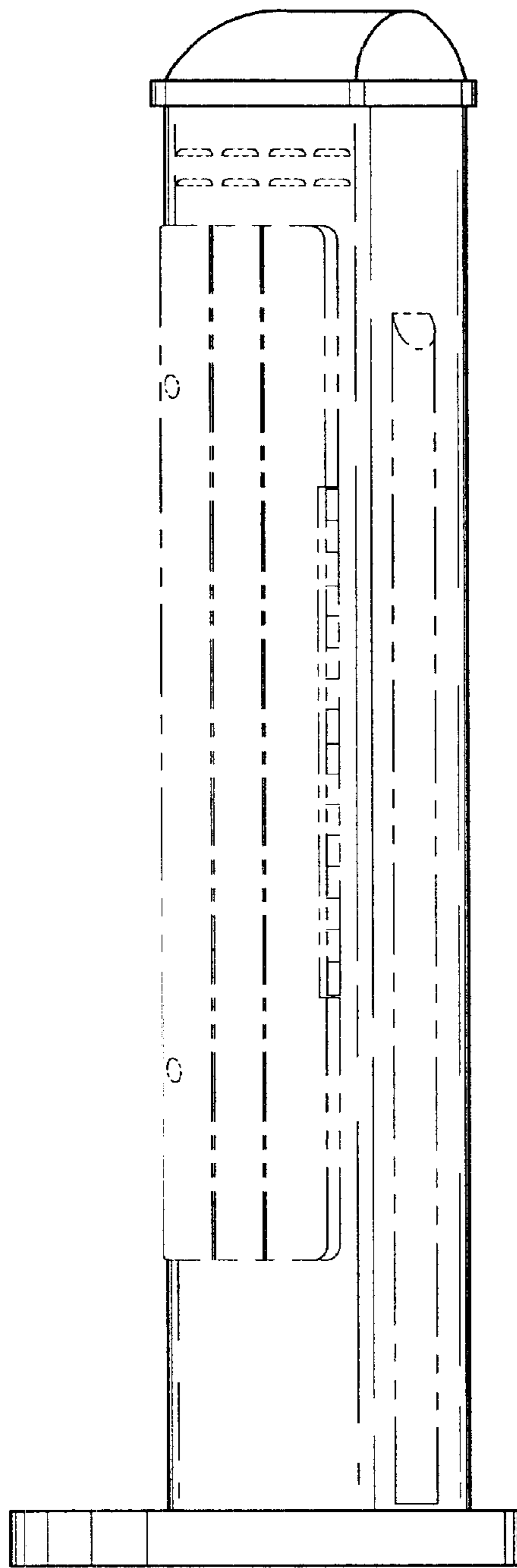


FIG. 5

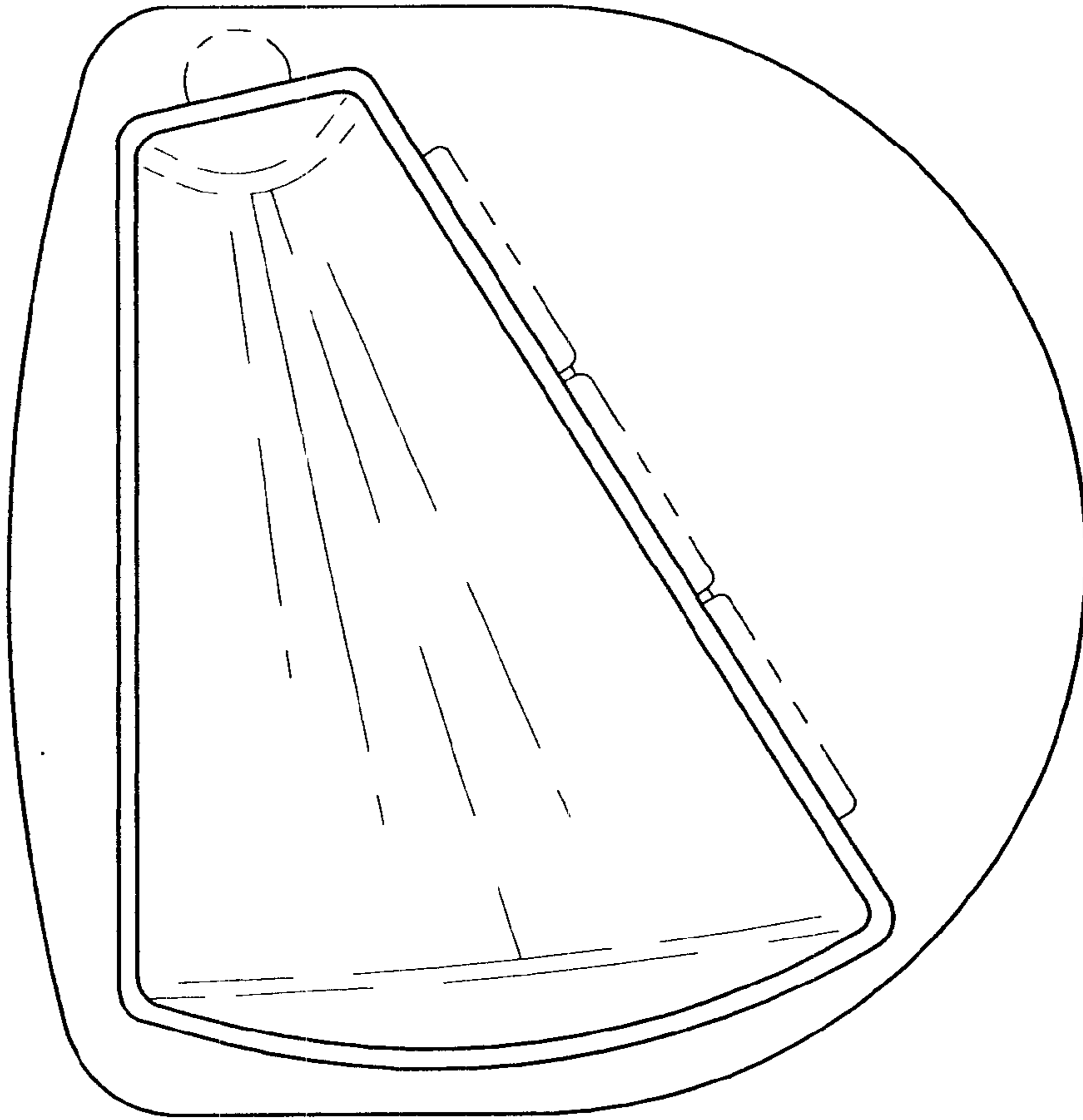


FIG. 6

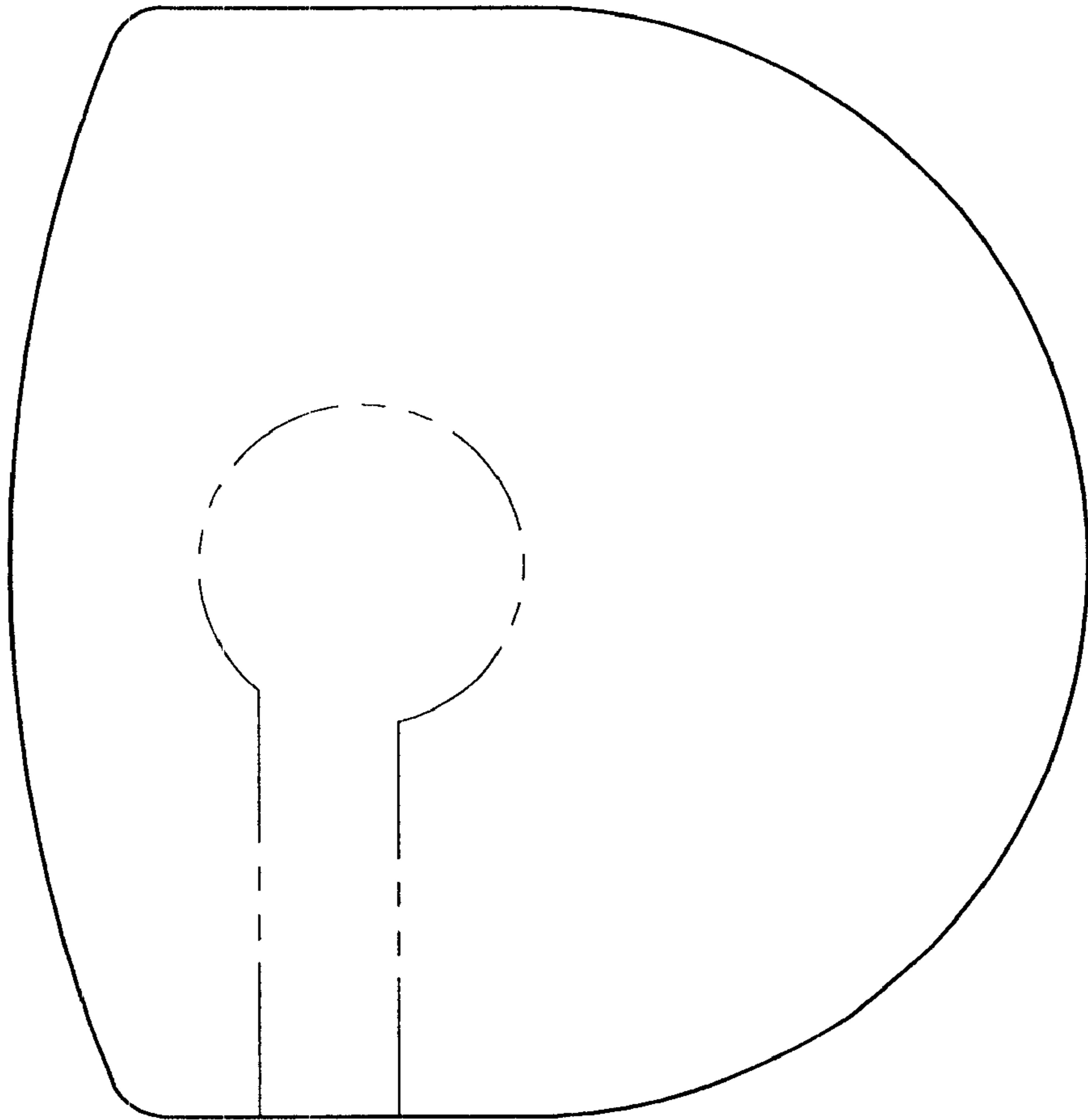


FIG. 7