



US00D452710B1

(12) **United States Design Patent**
Ragot

(10) **Patent No.:** **US D452,710 S**

(45) **Date of Patent:** **** Jan. 1, 2002**

(54) **DISPLAY STAND**

(75) Inventor: **Paul-Henri Ragot**, Laval (CA)

(73) Assignee: **A.L.R. Envirotech Inc.**, Laval (CA)

(**) Term: **14 Years**

(21) Appl. No.: **29/125,794**

(22) Filed: **Jun. 29, 2000**

Related U.S. Application Data

(62) Division of application No. 29/099,793, filed on Jan. 28, 1999.

(30) **Foreign Application Priority Data**

Jul. 28, 1998 (CA) 1998-1789

(51) **LOC (7) Cl.** **19-08**

(52) **U.S. Cl.** **D20/10**

(58) **Field of Search** D20/10, 40, 41,
D20/42; 40/541, 563, 564, 565, 575, 584,
606, 607, 611, 612, 624

(56) **References Cited**

U.S. PATENT DOCUMENTS

D244,725 S 6/1977 Niehaus et al.

5,584,547 A 12/1996 Trulaske, Sr.
5,634,286 A * 6/1997 Johnson 40/564
D388,124 S * 12/1997 Rath D20/42
D389,524 S * 1/1998 Grange D20/41
D390,610 S 2/1998 Wingerel
D431,838 S * 10/2000 Ragot D20/10

* cited by examiner

Primary Examiner—Marcus A. Jackson

(74) *Attorney, Agent, or Firm*—Ogilvy Renault

(57) **CLAIM**

The ornamental design for a display stand, as shown and described.

DESCRIPTION

FIG. 1 is a perspective view of the display stand showing my new design;

FIG. 2 is a top plan view thereof;

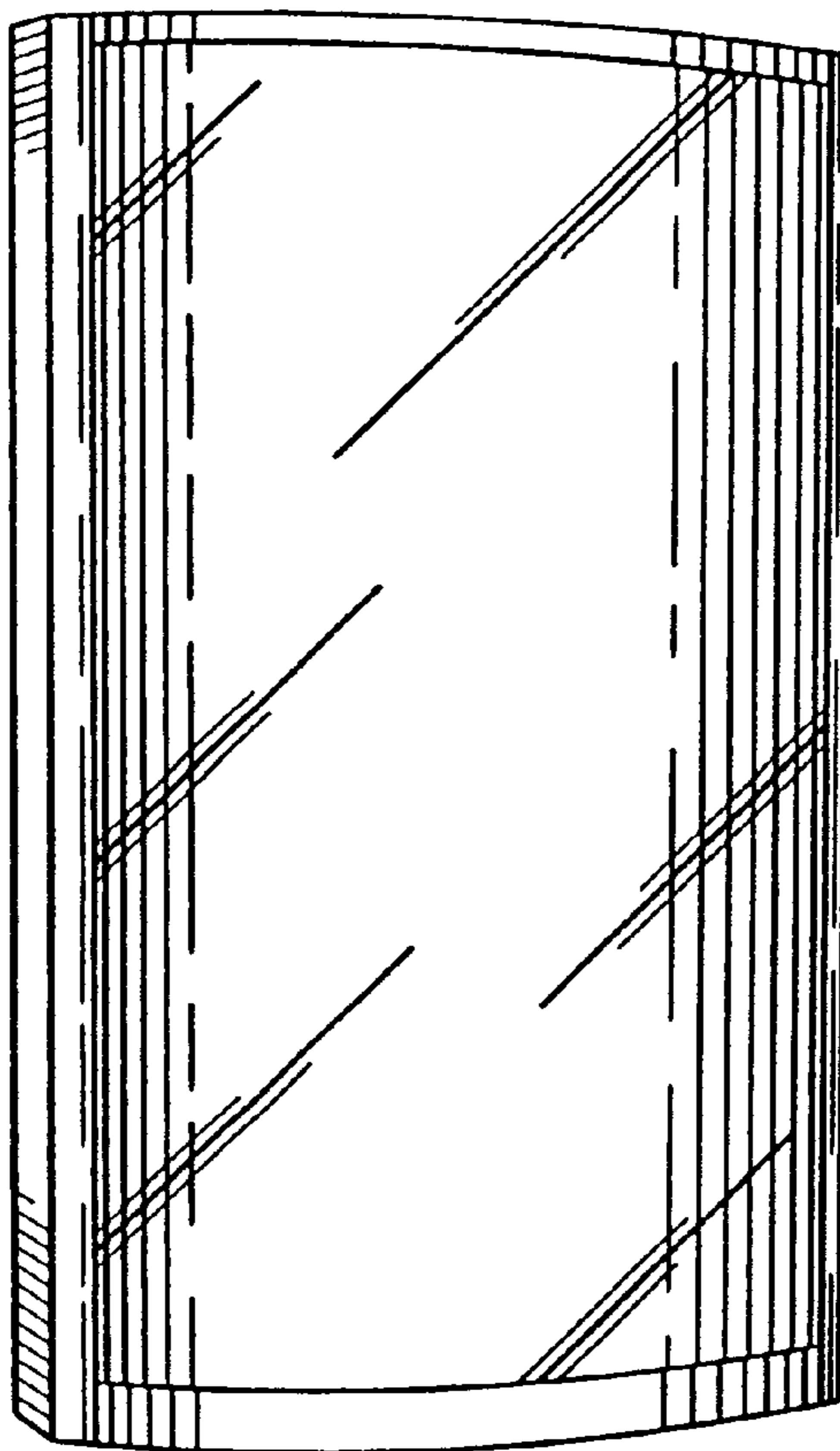
FIG. 3 is a perspective view of another embodiment showing my new design, with the broken line showing for illustrative purposes only and forming no part of the claimed design;

FIG. 4 is a top plan view thereof;

FIG. 5 is a perspective view of yet another embodiment showing my new design; and,

FIG. 6 is a top plan view thereof.

1 Claim, 3 Drawing Sheets



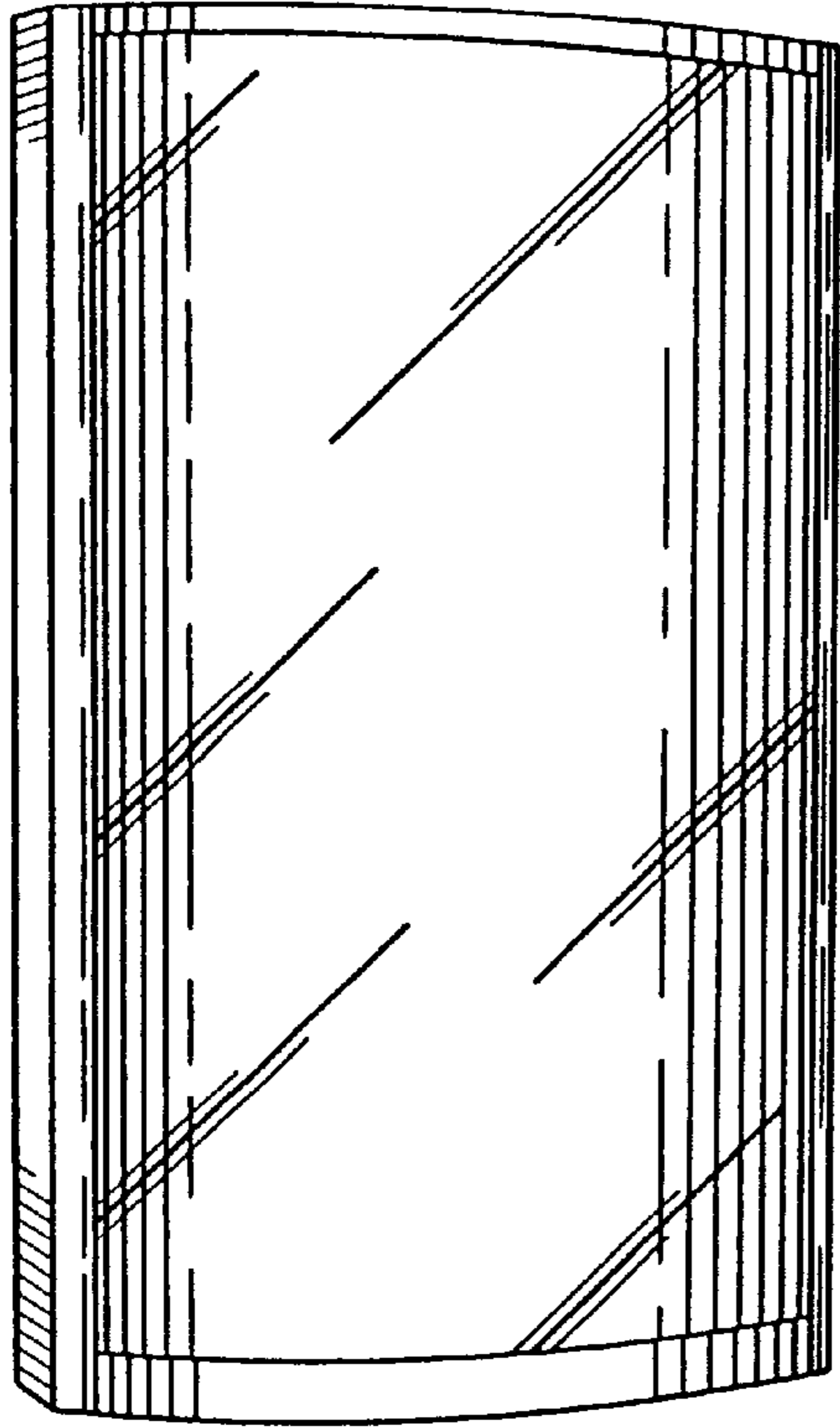


FIG. 1

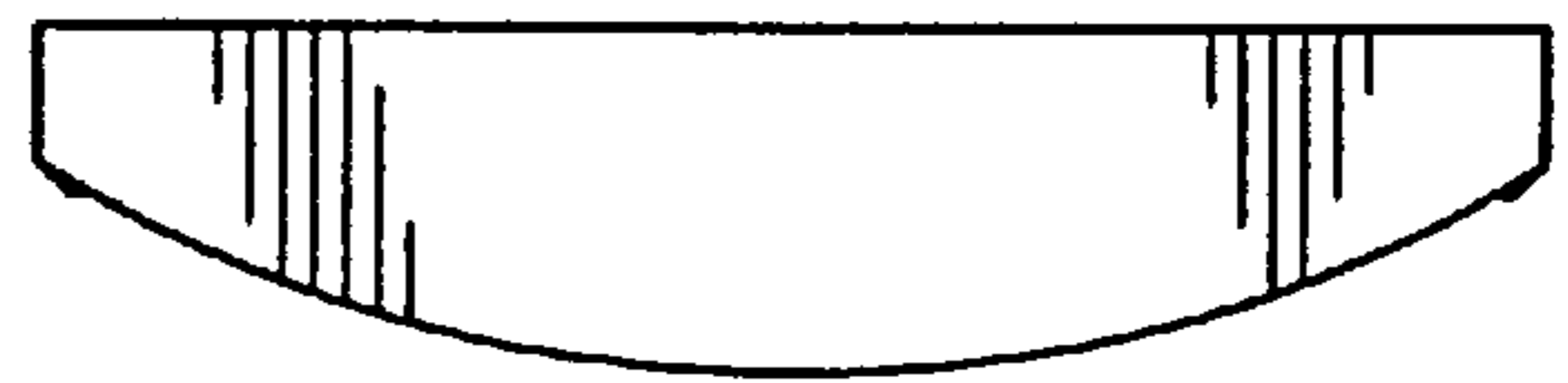


FIG. 2

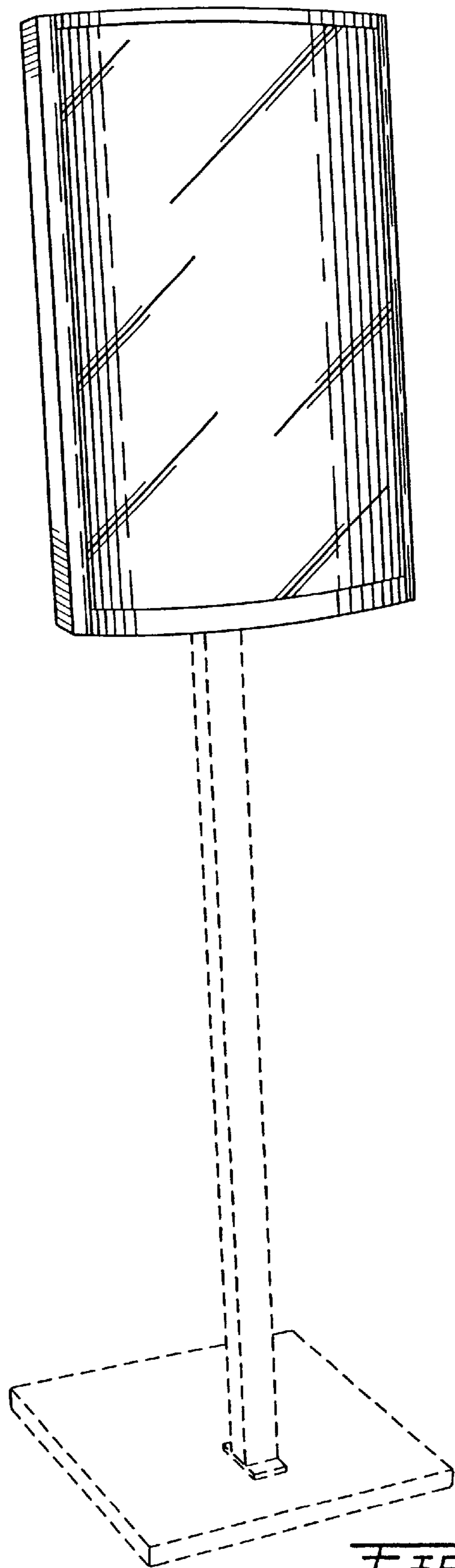


FIG. 3

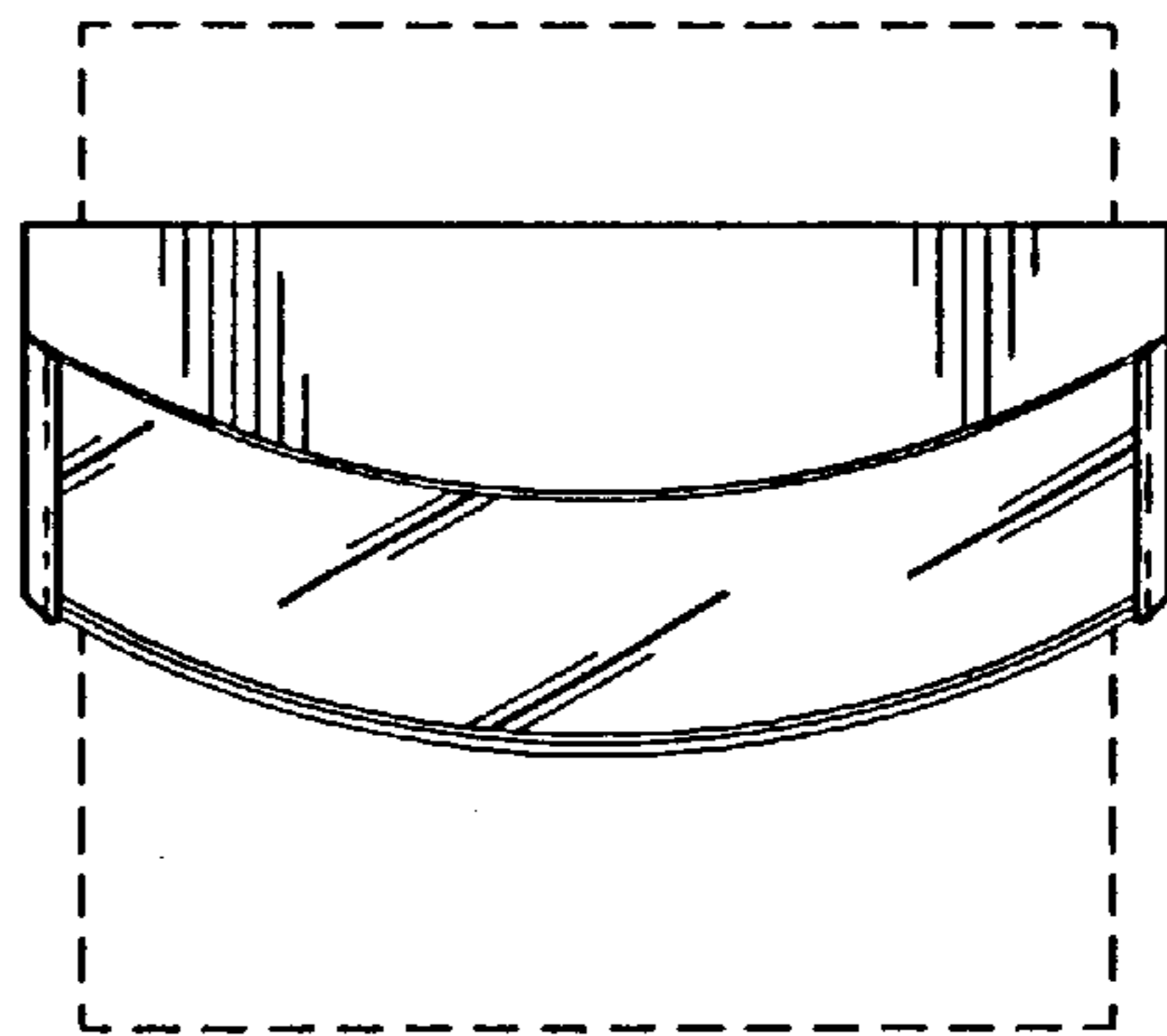


FIG. 4

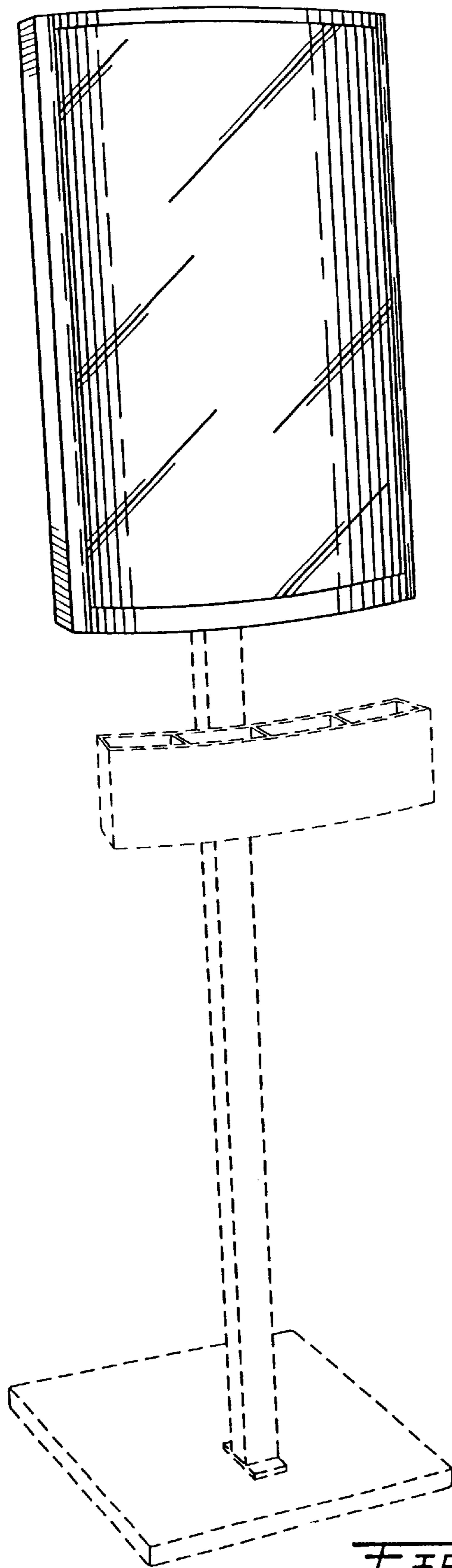


FIG. 5

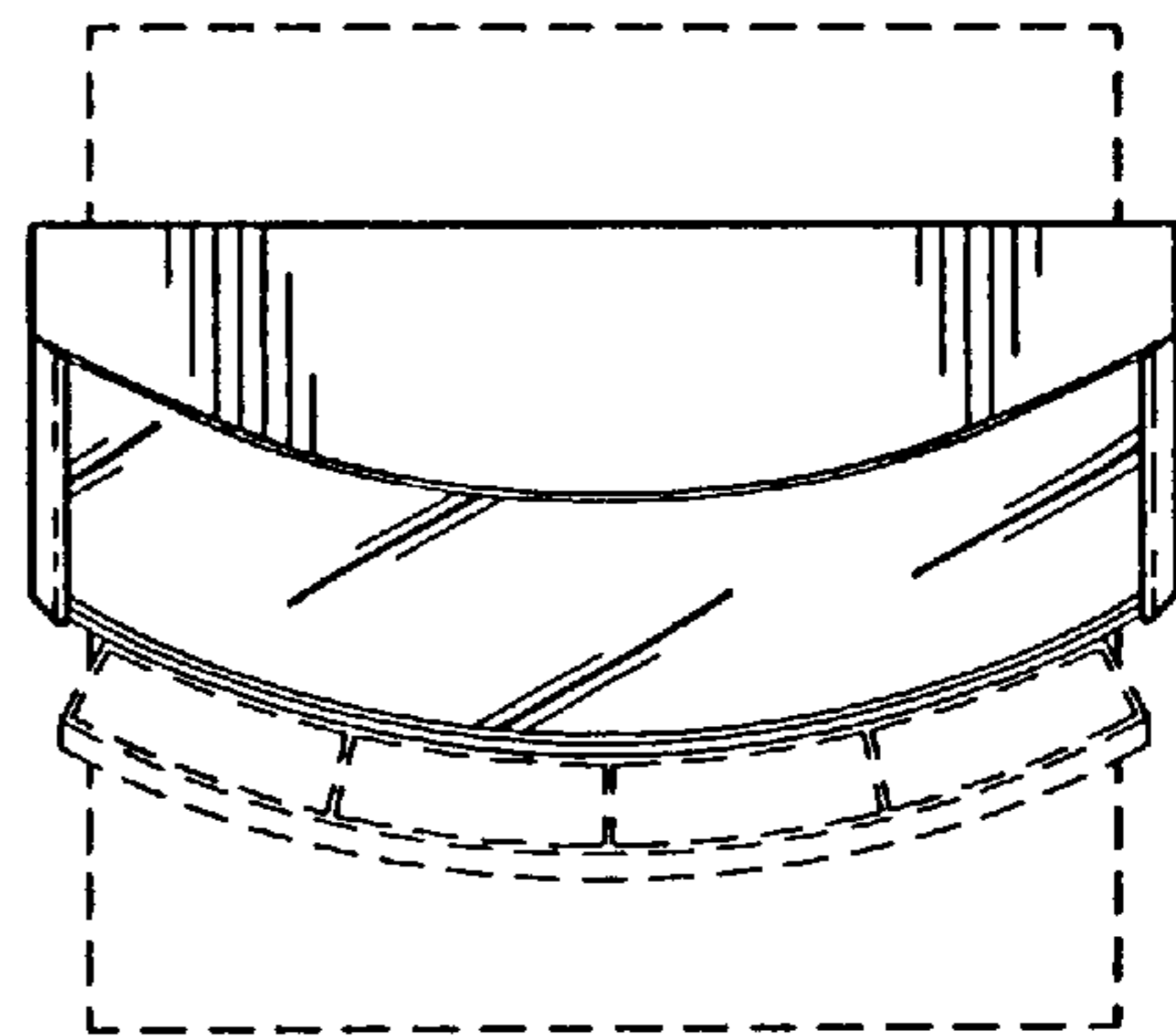


FIG. 6