



US00D452709B1

(12) **United States Design Patent**
Najmi

(10) **Patent No.:** **US D452,709 S**

(45) **Date of Patent:** **** Jan. 1, 2002**

(54) **PAPER HOLDER**

(75) **Inventor:** **Boman K Najmi, Crofton, MD (US)**

(73) **Assignee:** **BHS International, Inc., Crofton, MD (US)**

(**) **Term:** **14 Years**

(21) **Appl. No.:** **29/138,056**

(22) **Filed:** **Mar. 5, 2001**

(51) **LOC (7) Cl.** **19-02**

(52) **U.S. Cl.** **D19/86**

(58) **Field of Search** D19/52, 65, 75,
D19/78, 86, 88, 90, 91, 92, 95, 100, 96;
40/642.02; 248/441.1, 441.2, 445, 450,
451, 452, 453, 460, 469, 473, 910; 281/44

(56) **References Cited**

U.S. PATENT DOCUMENTS

- 2,557,399 A * 6/1951 Teetor 248/473
- D233,074 S * 10/1974 Crockett D19/96
- D333,155 S * 2/1993 Hiromori D19/65

- D393,878 S * 4/1998 Suzuki D19/65
- D406,170 S * 2/1999 Wolff D19/65
- D436,627 S * 1/2001 Bardet D19/86

* cited by examiner

Primary Examiner—Doris V. Coles

Assistant Examiner—Elizabeth A. Albert

(74) *Attorney, Agent, or Firm*—Rabin & Berdo, P.C.

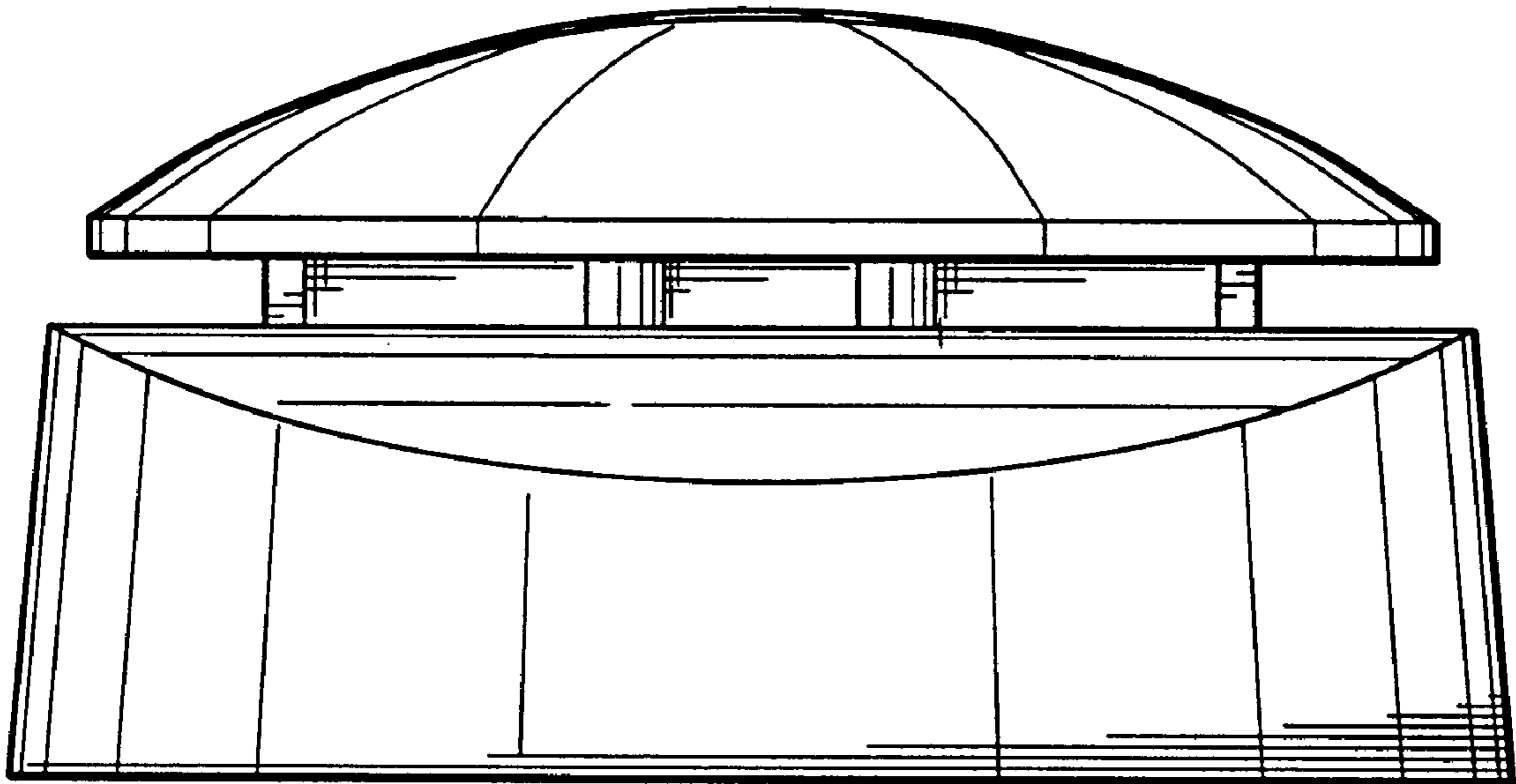
(57) **CLAIM**

The ornamental design for a paper holder, as shown and described.

DESCRIPTION

FIG. 1 is a front perspective view of a paper holder showing my new design;
 FIG. 2 is a front perspective view in opened position;
 FIG. 3 is a front view thereof;
 FIG. 4 is a top view thereof;
 FIG. 5 is a left side view thereof;
 FIG. 6 is a right side view thereof; and,
 FIG. 7 is a rear view thereof.

1 Claim, 4 Drawing Sheets



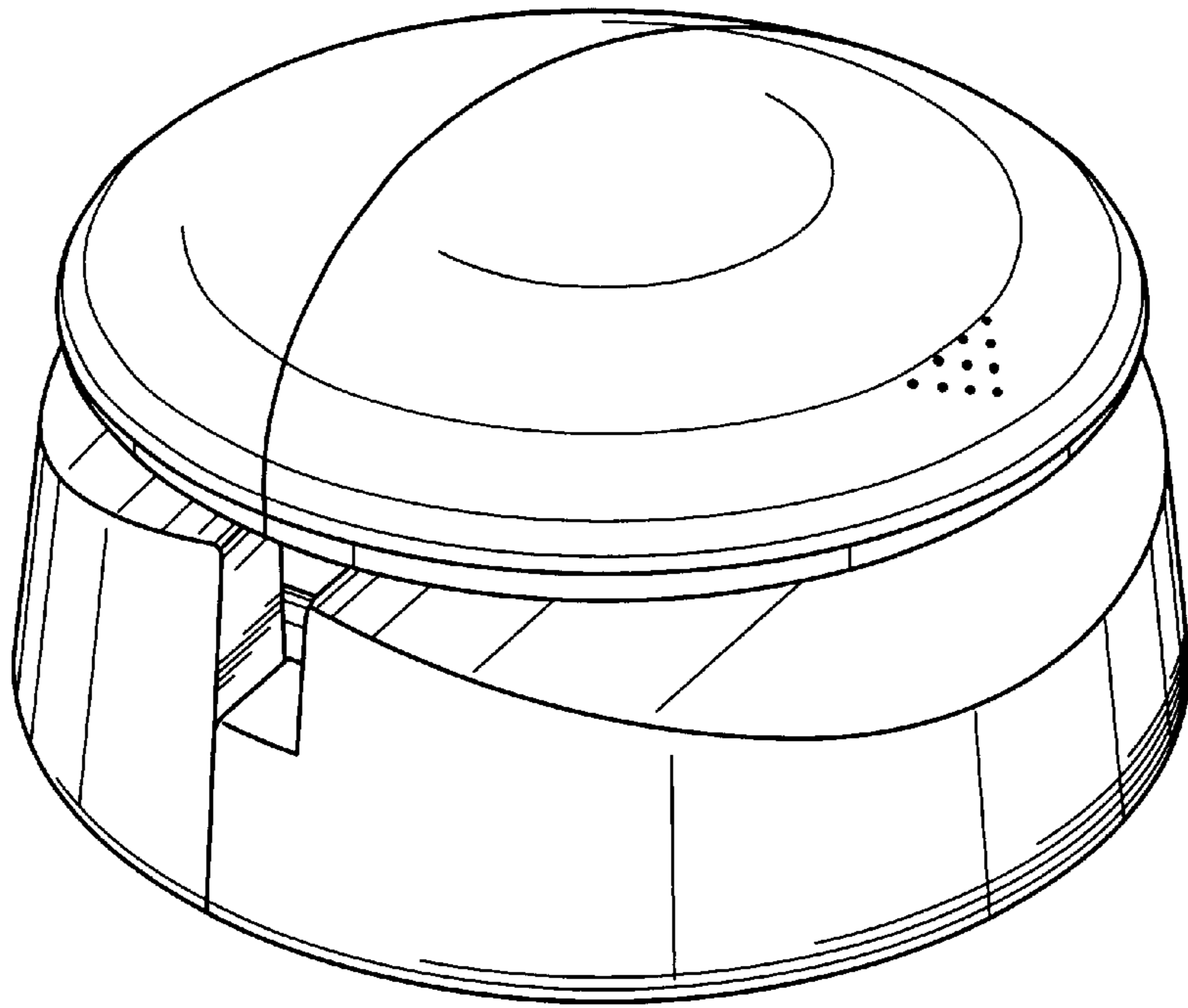


FIG. 1

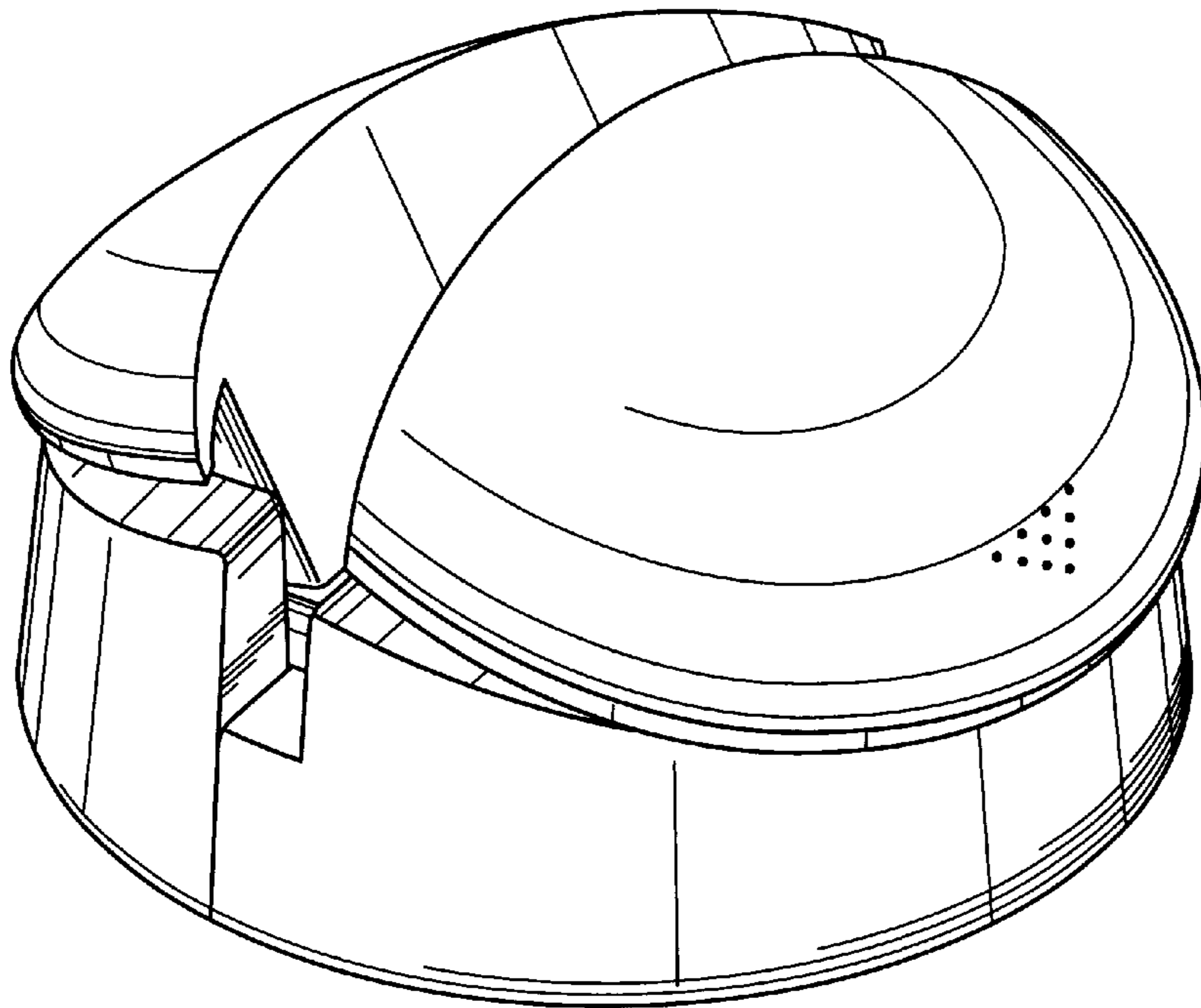


FIG. 2

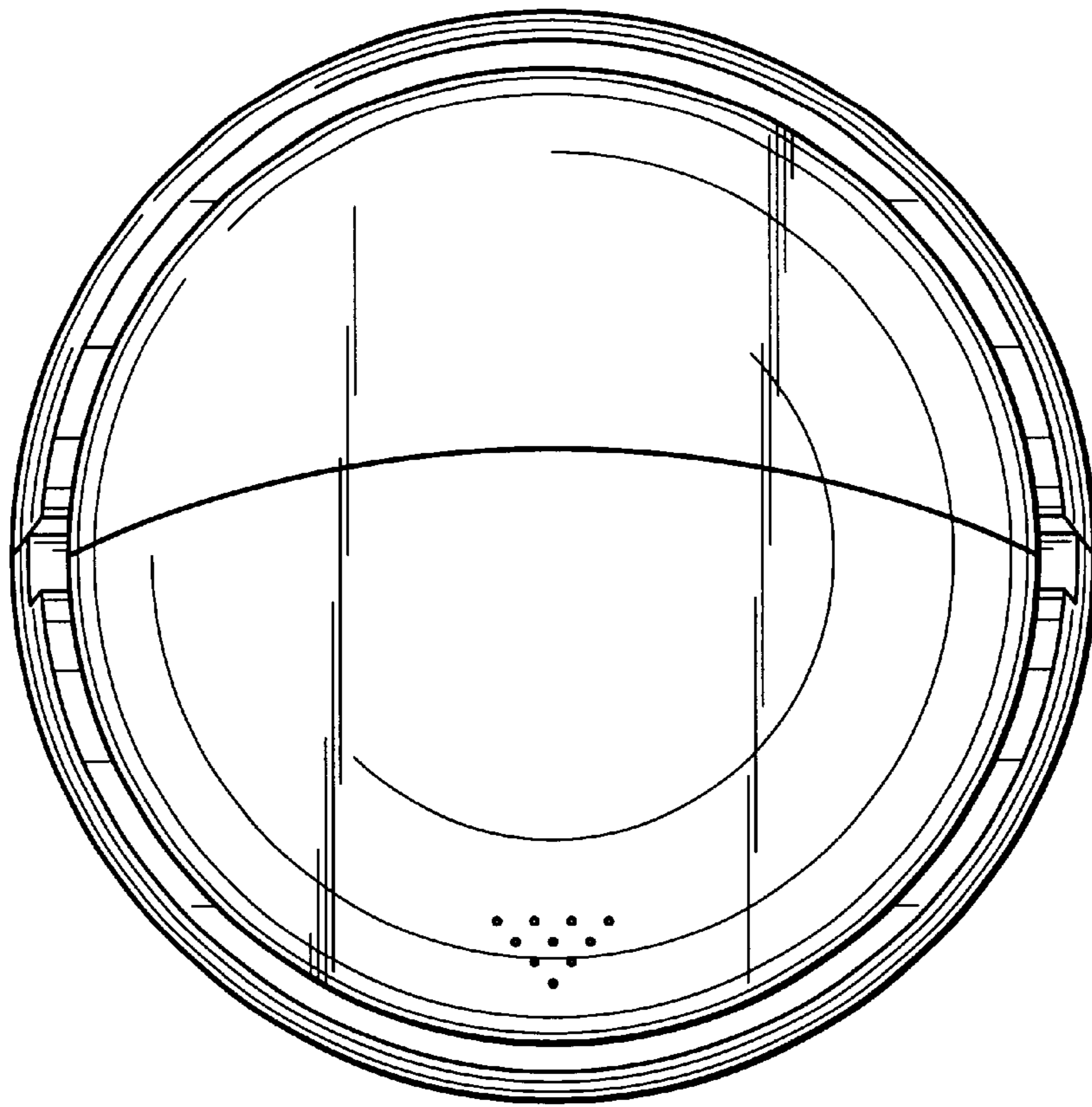


FIG. 4

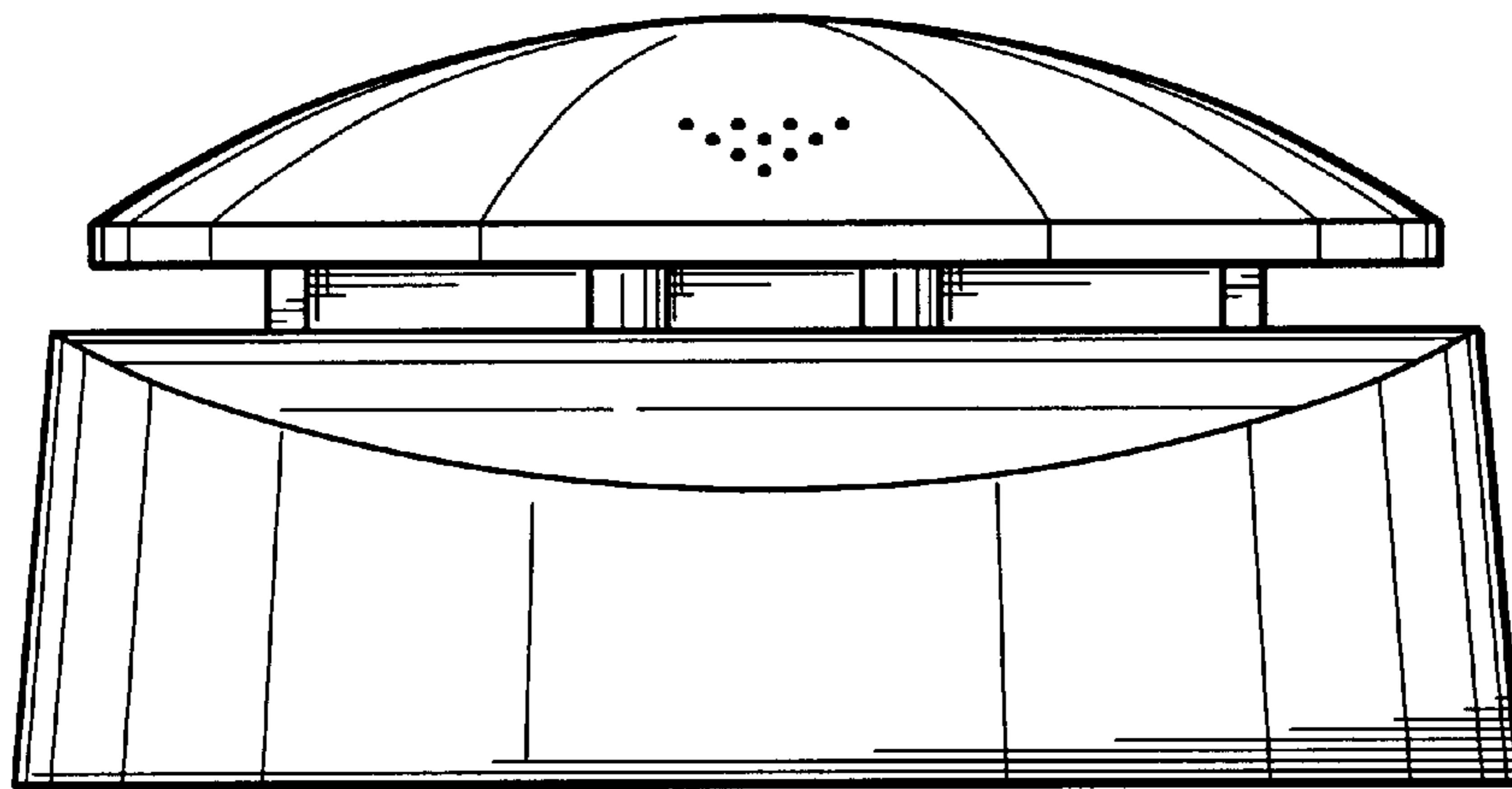


FIG. 3

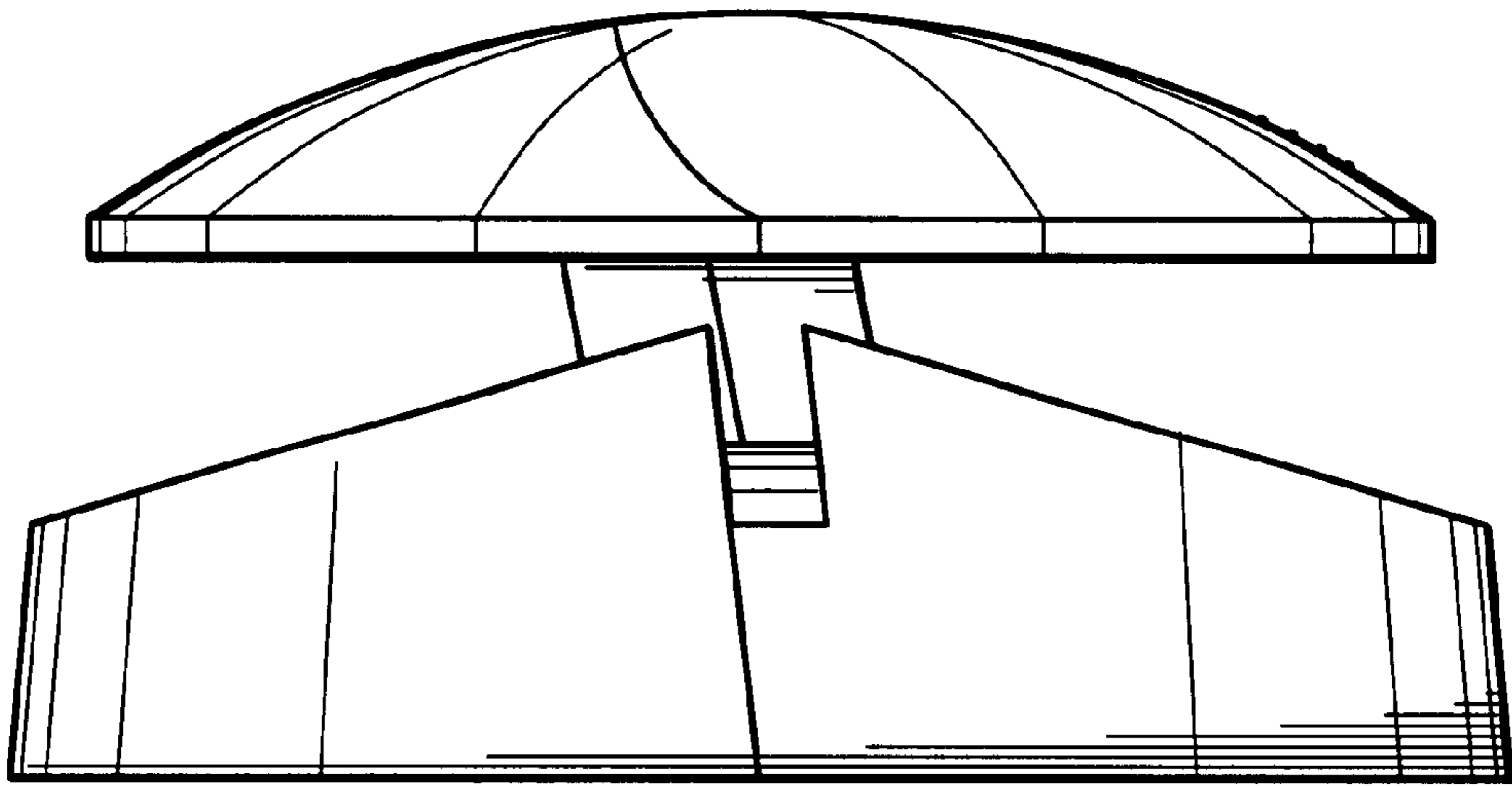


FIG. 5

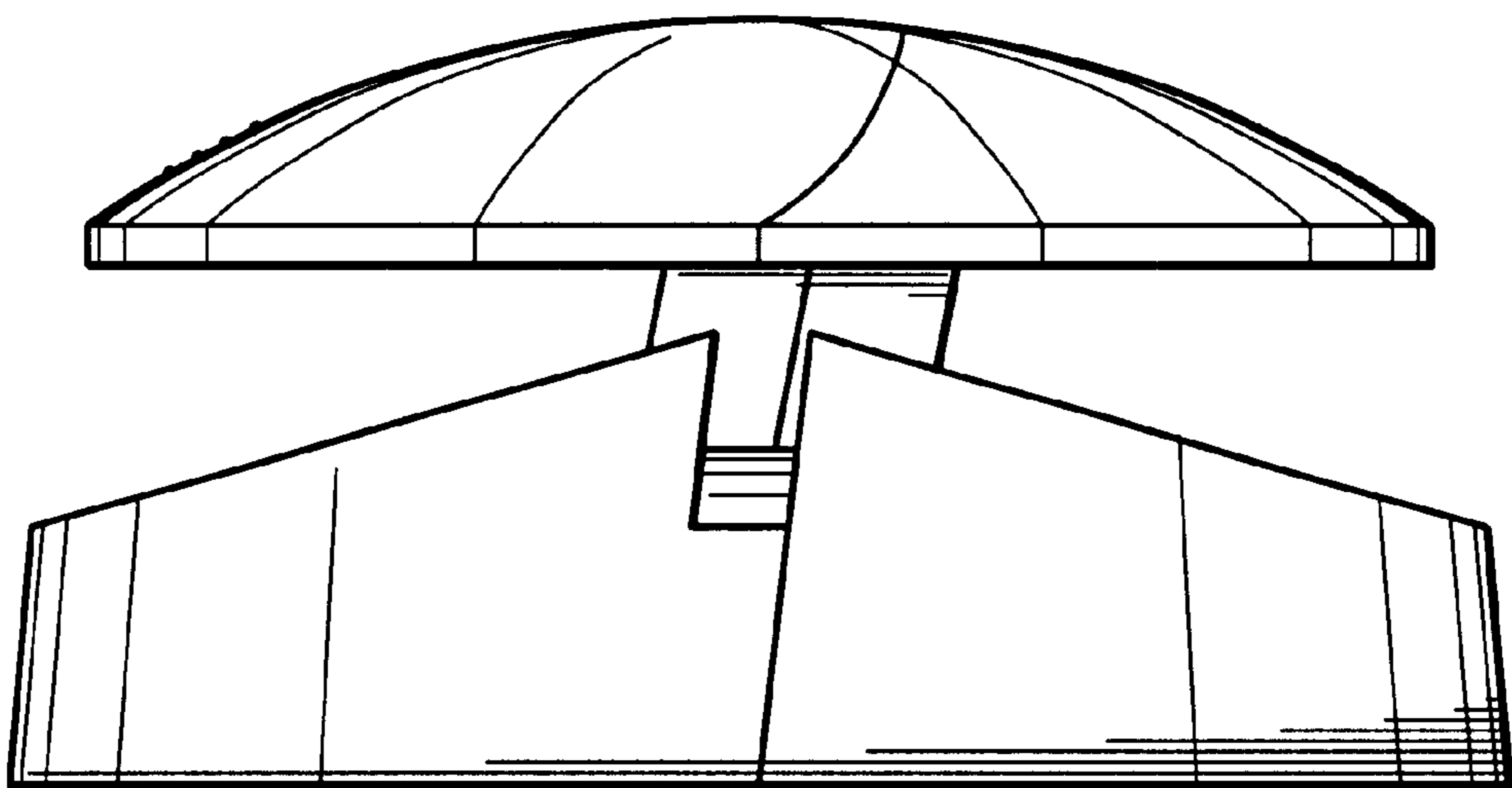


FIG. 6

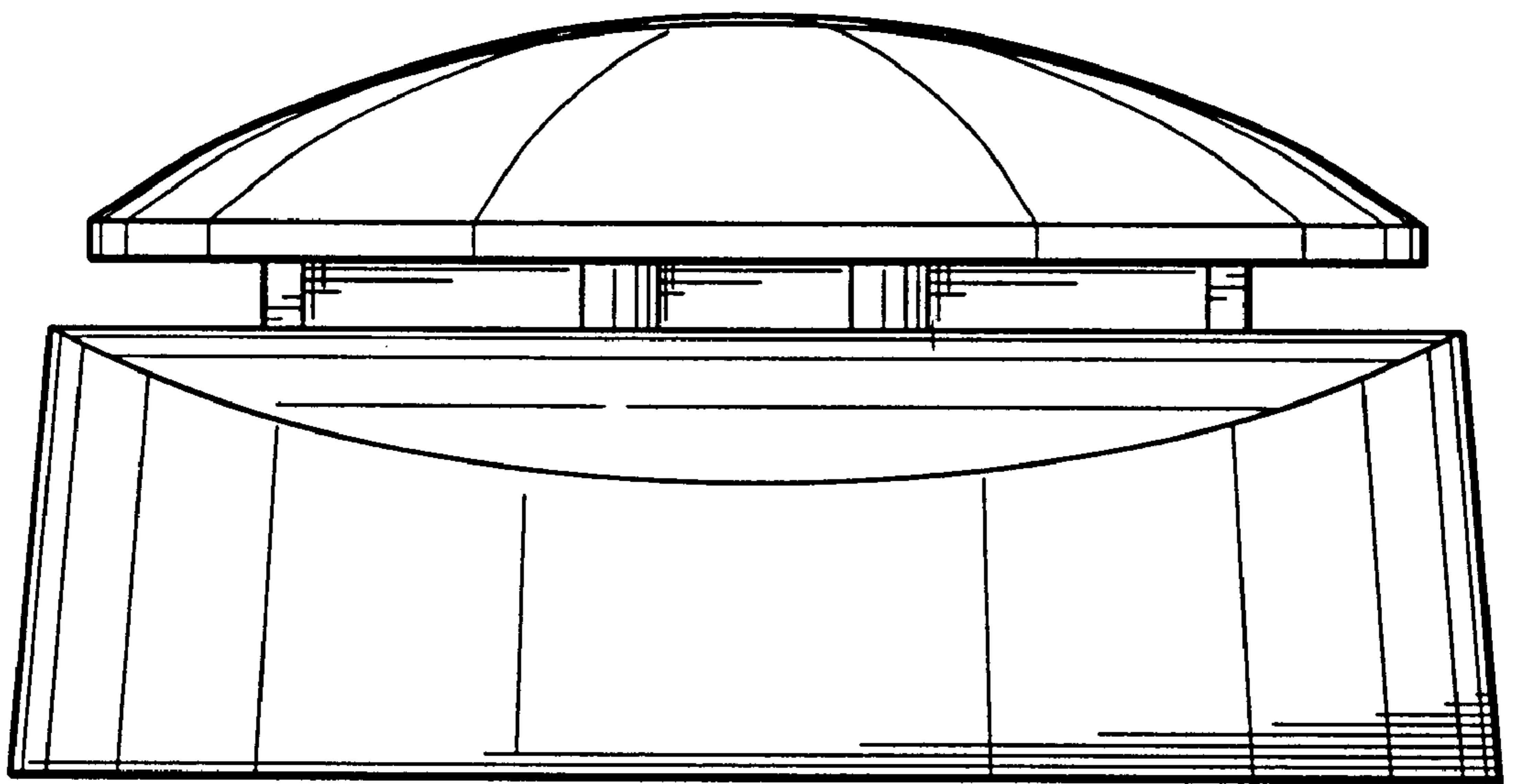


FIG. 7