



US00D452708B1

(12) **United States Design Patent**
Schmidt et al.

(10) **Patent No.:** **US D452,708 S**

(45) **Date of Patent:** **** Jan. 1, 2002**

- (54) **PEN**
- (75) Inventors: **Roland Schmidt; Klaus Lackner**, both of Heidelberg (DE)
- (73) Assignee: **Klio-Eterna Schreibgerate GmbH & Co. KG**, Wolfach (DE)
- (**) Term: **14 Years**
- (21) Appl. No.: **29/142,803**
- (22) Filed: **Jun. 1, 2001**

- D294,263 S * 2/1988 Rodgers et al. D14/411
- D399,874 S * 10/1998 Gacia D19/51
- D416,042 S * 11/1999 Burkhardt, Jr. D19/51
- D425,559 S * 5/2000 Beneyto D19/51
- D427,633 S * 7/2000 Pellisa Beneyto D19/51

* cited by examiner

Primary Examiner—Martie K. Holtje
(74) *Attorney, Agent, or Firm*—Volpe and Koenig, P.C.

Related U.S. Application Data

- (62) Division of application No. 29/128,345, filed on Aug. 22, 2000, now Pat. No. Des. 443,302.

(30) **Foreign Application Priority Data**

Jul. 25, 2000 (WO) 164188001

- (51) **LOC (7) Cl.** **19-06**
- (52) **U.S. Cl.** **D19/49; D19/51; D19/56**
- (58) **Field of Search** D19/35, 36, 41-51, D19/53-58, 81-85; 401/99, 100, 103, 104, 110, 112-114, 116, 117, 209, 33, 65; D14/411

(56) **References Cited**

U.S. PATENT DOCUMENTS

2,491,082 A * 12/1949 Biro 401/114

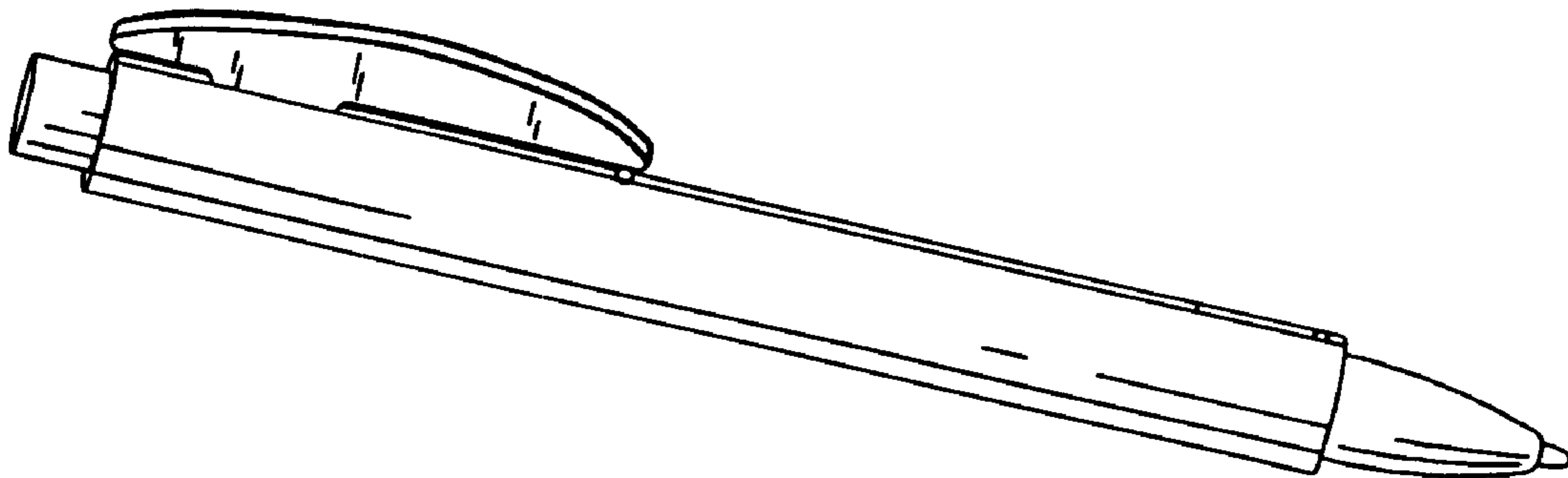
(57) **CLAIM**

The ornamental design for a pen, as shown and described.

DESCRIPTION

- FIG. 1 is a perspective view of a pen in accordance with our new design;
- FIG. 2 is a right side elevational view thereof;
- FIG. 3 is a top plan view thereof;
- FIG. 4 is a front elevational view thereof;
- FIG. 5 is a bottom plan view thereof;
- FIG. 6 is a left side elevational view thereof; and,
- FIG. 7 is a rear elevational view thereof.

1 Claim, 1 Drawing Sheet



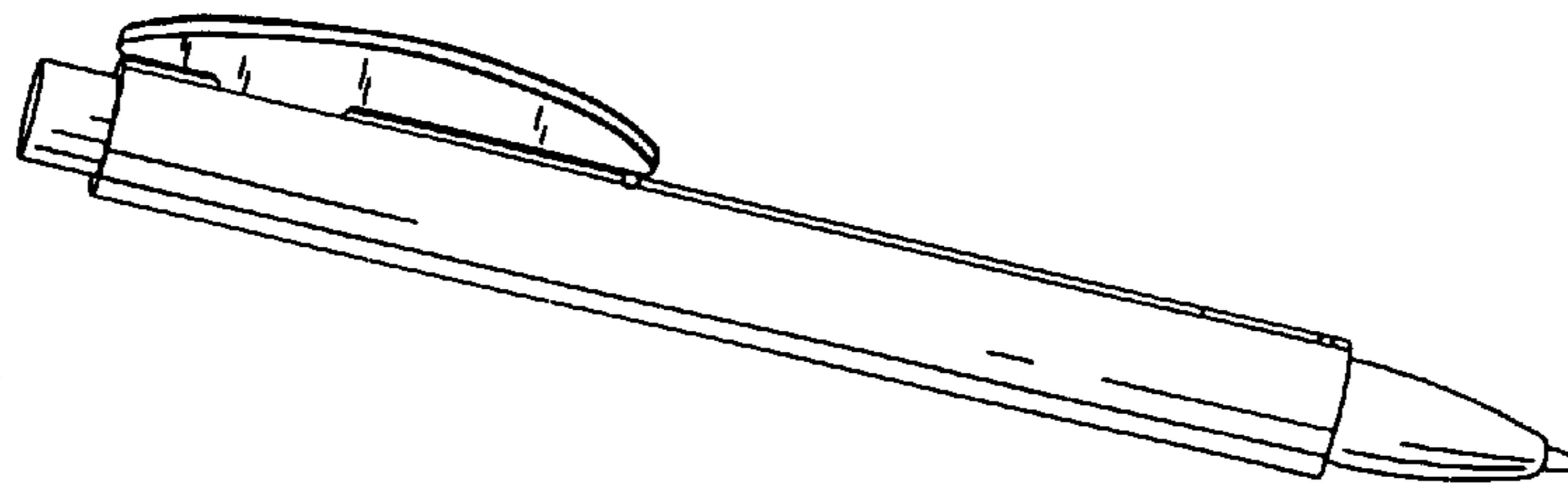


FIG. 1

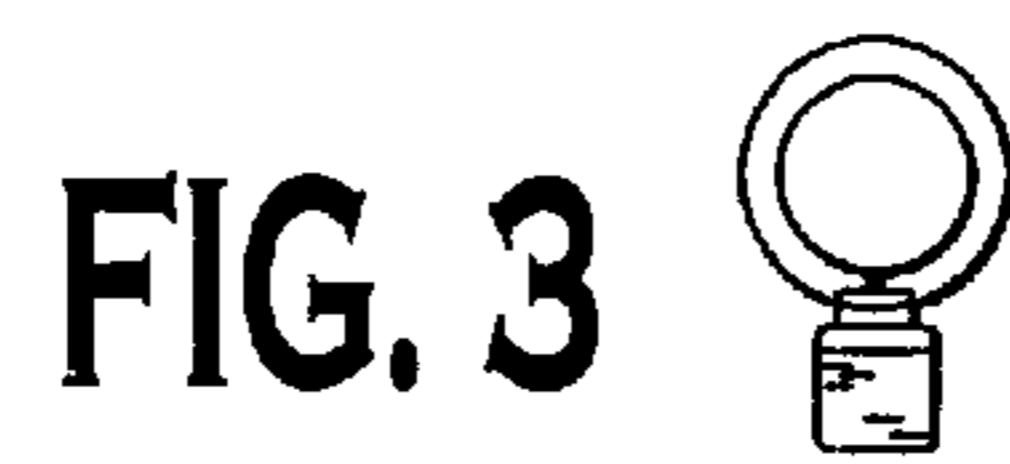


FIG. 2

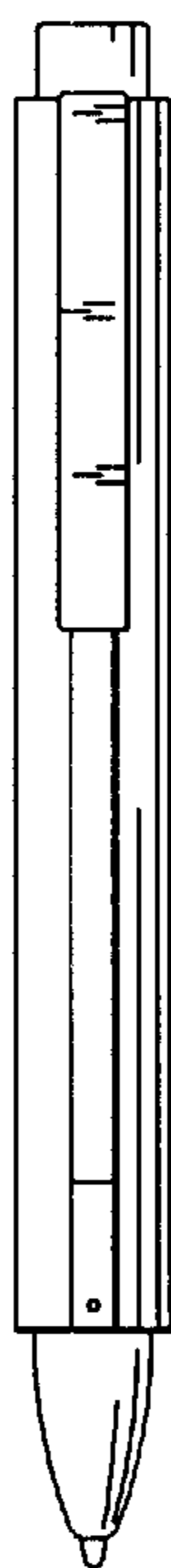


FIG. 4

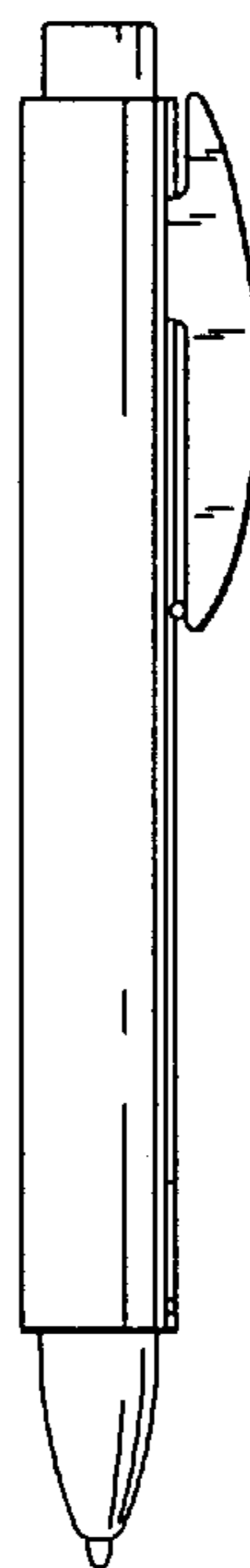


FIG. 6



FIG. 7

