



US00D452706B1

(12) **United States Design Patent**
Senshiki

(10) **Patent No.:** **US D452,706 S**

(45) **Date of Patent:** **** Jan. 1, 2002**

(54) **COMPUTER PRINTER**

(75) **Inventor:** **Yasunori Senshiki, Tachikawa (JP)**

(73) **Assignee:** **Canon Kabushiki Kaisha, Tokyo (JP)**

(**) **Term:** **14 Years**

(21) **Appl. No.:** **29/139,369**

(22) **Filed:** **Mar. 30, 2001**

(30) **Foreign Application Priority Data**

Oct. 3, 2000 (JP) 12-027931

(51) **LOC (7) Cl.** **14-02**

(52) **U.S. Cl.** **D18/55**

(58) **Field of Search** D18/50, 54, 55,
D18/36-39; D14/462-470; 400/613, 613.1-613.4,
691-694, 690.1-690.4

(56) **References Cited**

U.S. PATENT DOCUMENTS

- D390,258 S * 2/1998 Kawahara et al. D18/55
- D400,918 S * 11/1998 Kobayashi et al. D18/55
- D430,894 S * 9/2000 Inoue D18/54
- D439,607 S * 3/2001 Inoue et al. D18/54

- D439,608 S * 3/2001 Gasset et al. D18/55
- D441,012 S * 4/2001 Kawahara et al. D18/55
- D441,783 S * 5/2001 Kawahara et al. D18/55
- D442,218 S * 5/2001 Kobayashi et al. D18/55
- D444,813 S * 7/2001 Quijano D18/55
- D445,823 S * 7/2001 Kawahara et al. D18/50

* cited by examiner

Primary Examiner—Cathy Anne MacCormac

(74) *Attorney, Agent, or Firm*—Fitzpatrick, Cella, Harper & Scinto

(57) **CLAIM**

The ornamental design for a computer printer, as shown and described.

DESCRIPTION

FIG. 1 is a front view of a computer printer showing my new design;

FIG. 2 is a rear view thereof;

FIG. 3 is a top plan view thereof;

FIG. 4 is a bottom plan view thereof;

FIG. 5 is a left side view thereof;

FIG. 6 is a right side view thereof; and,

FIG. 7 is a perspective view thereof.

1 Claim, 6 Drawing Sheets

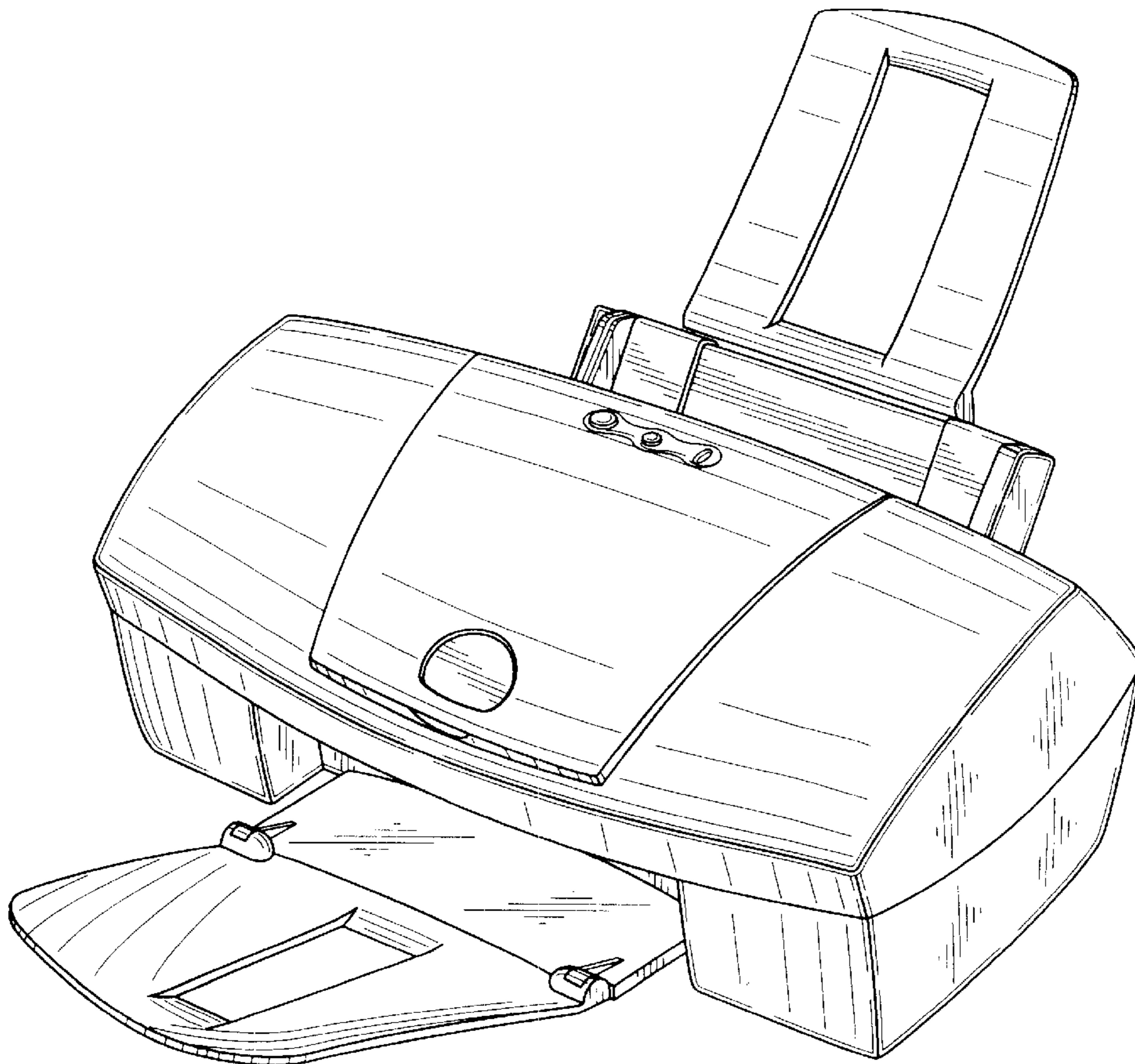


FIG. 1

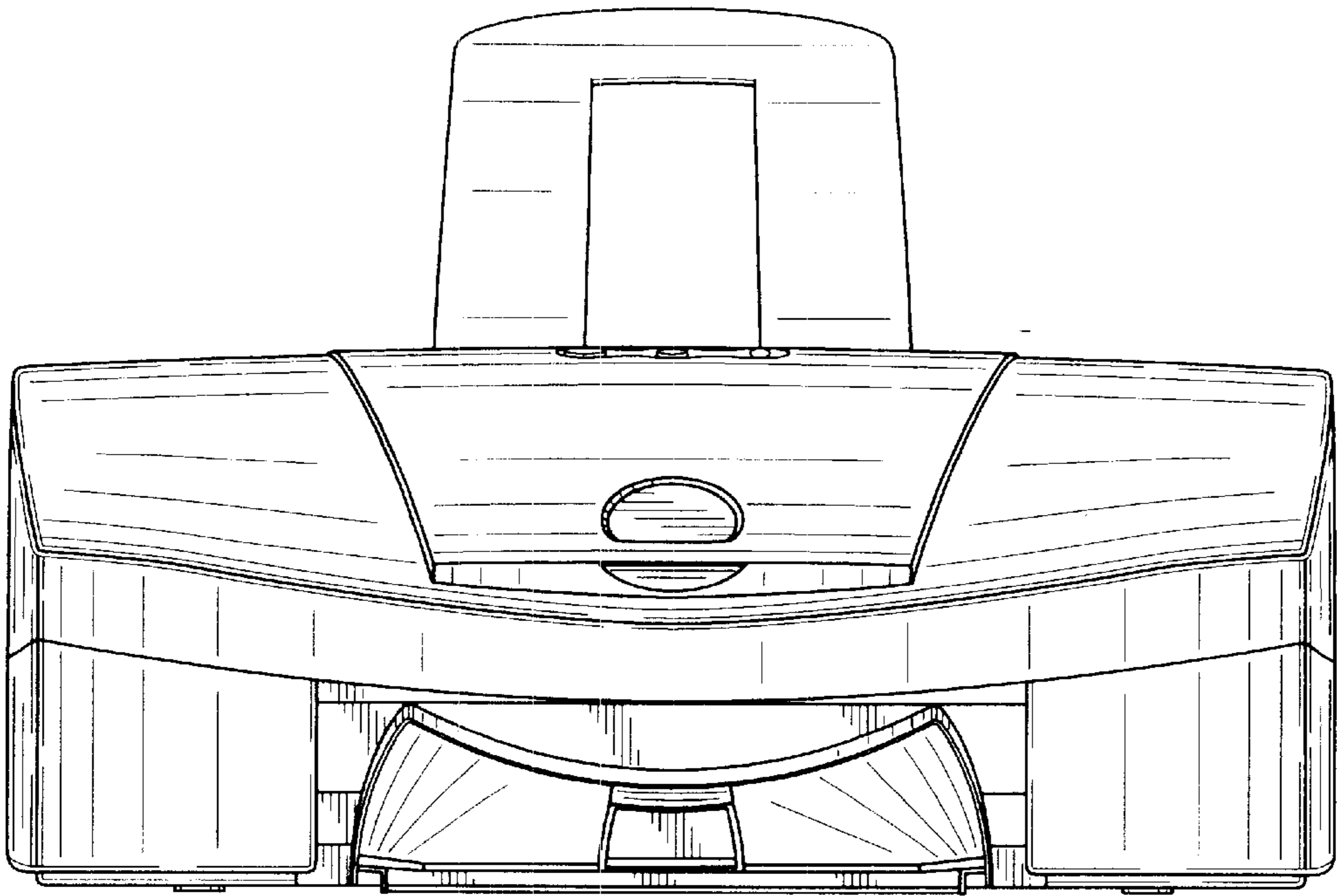


FIG. 2

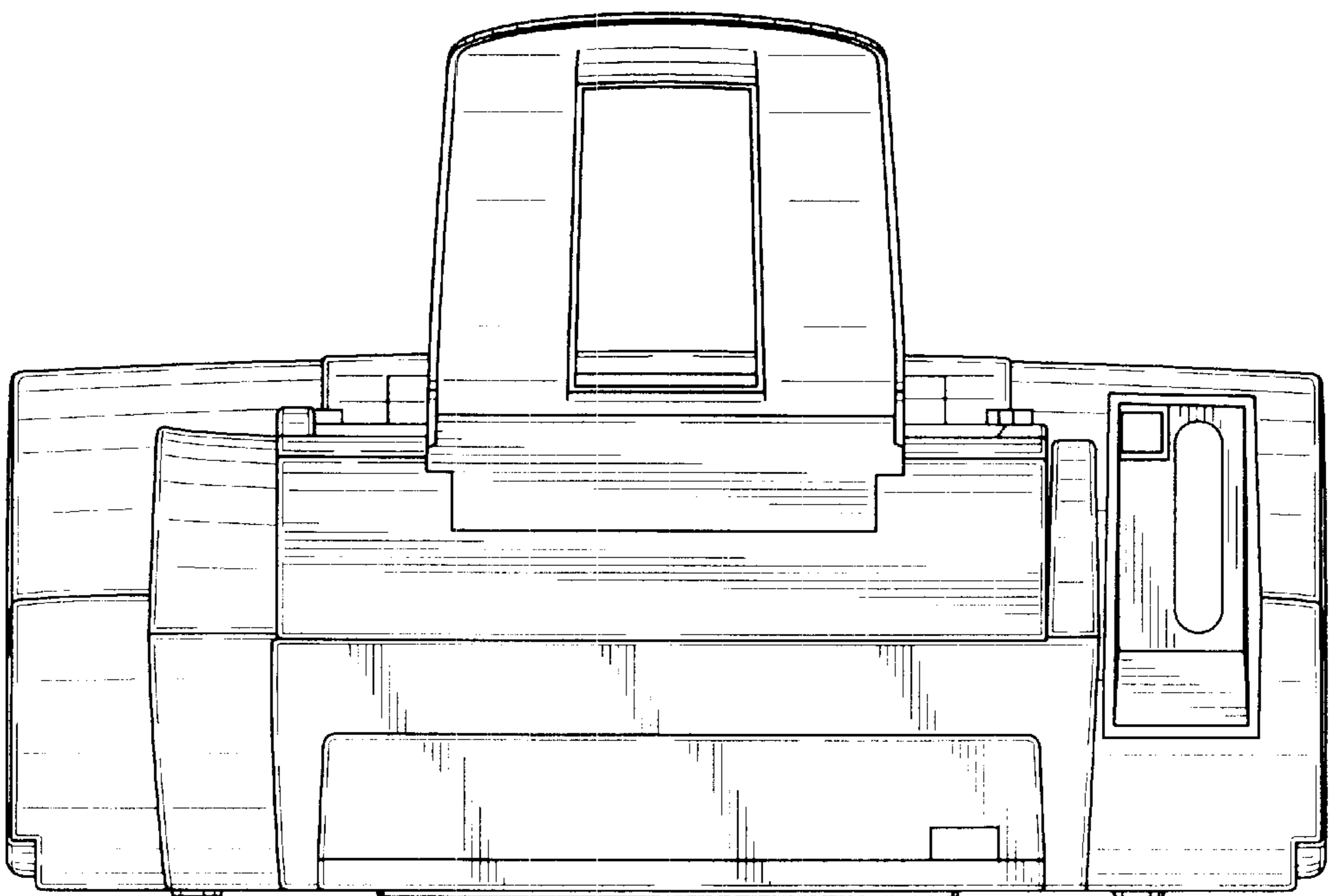


FIG. 3

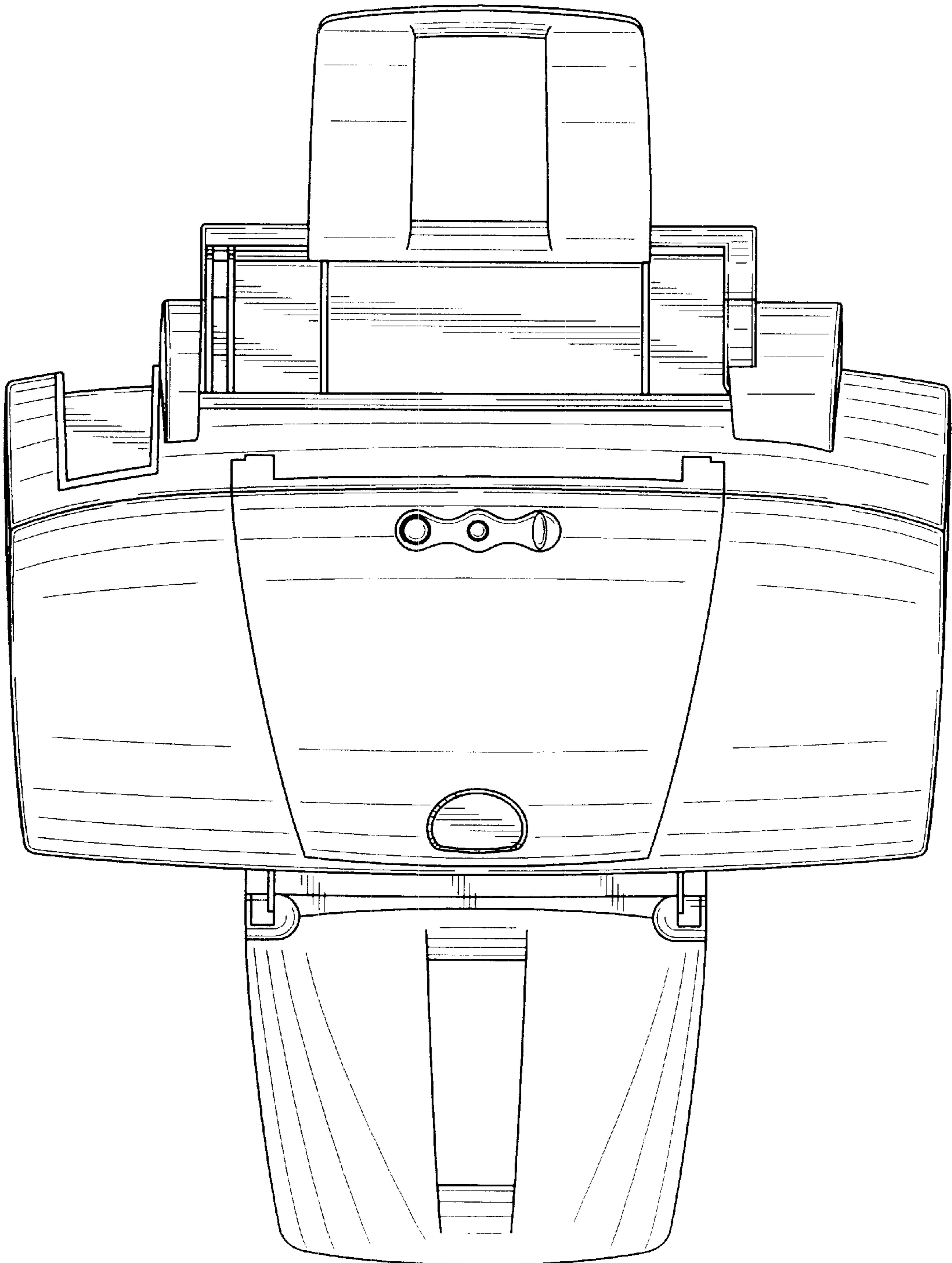


FIG. 4

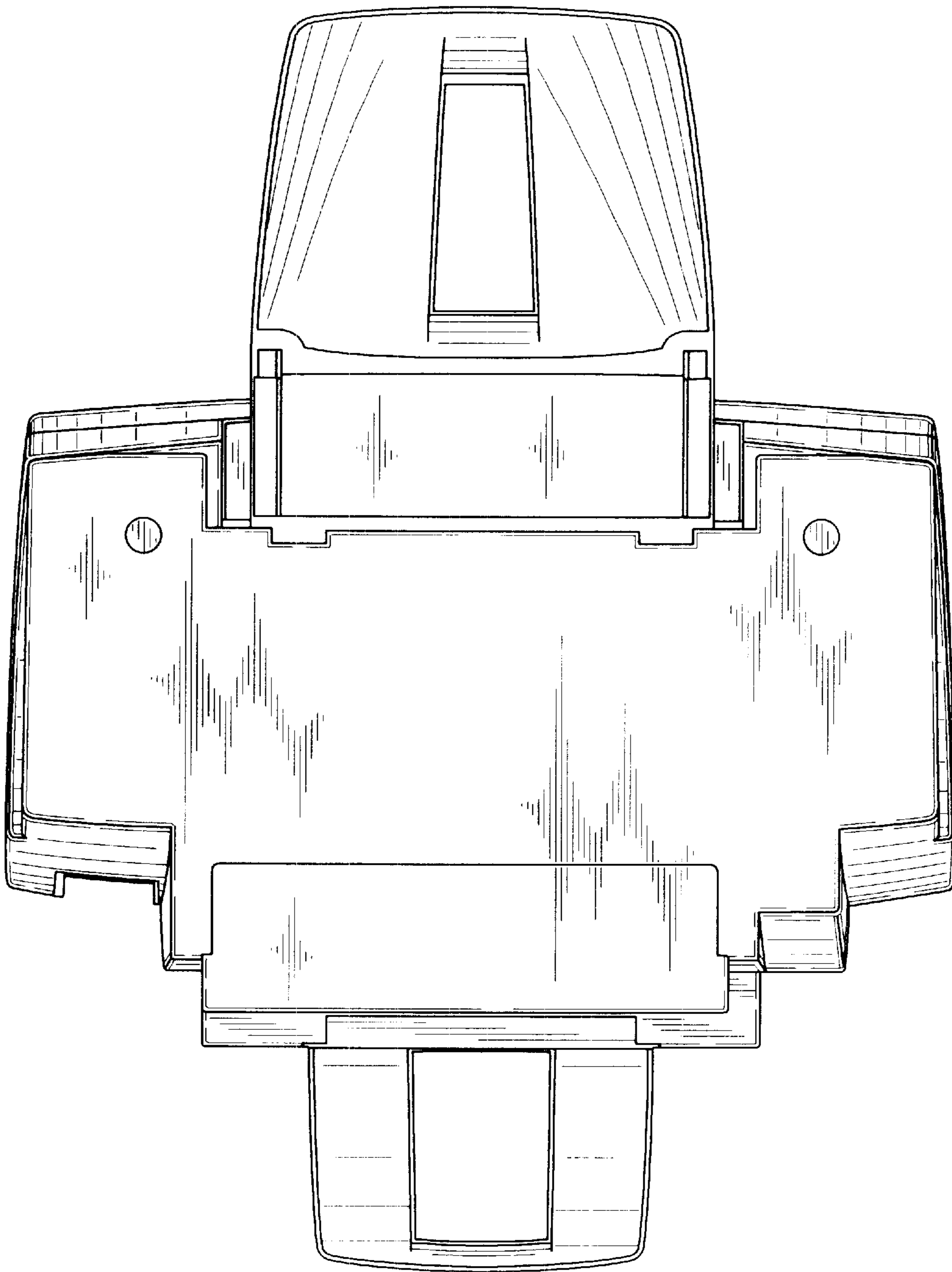


FIG. 5

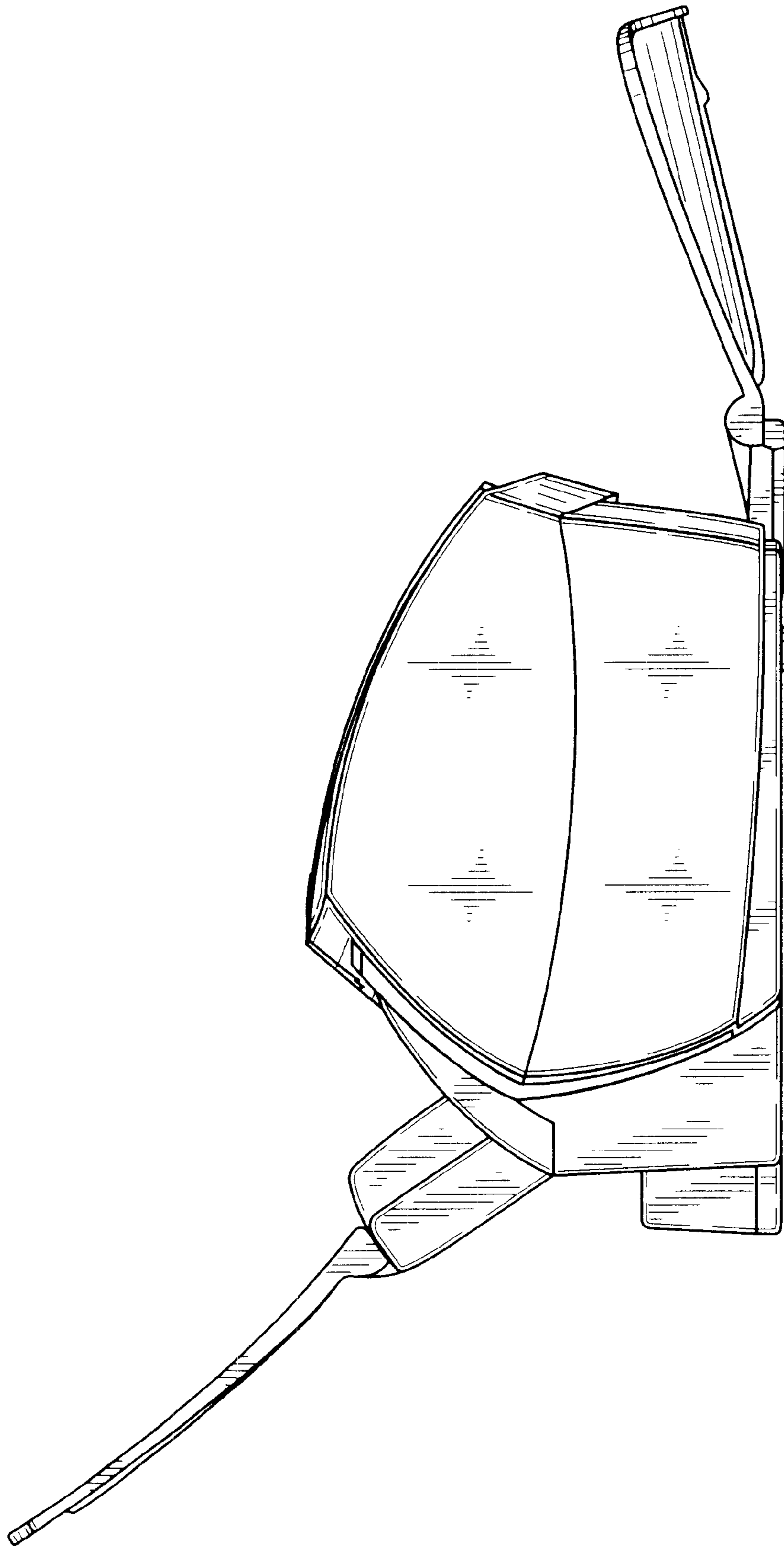


FIG. 6

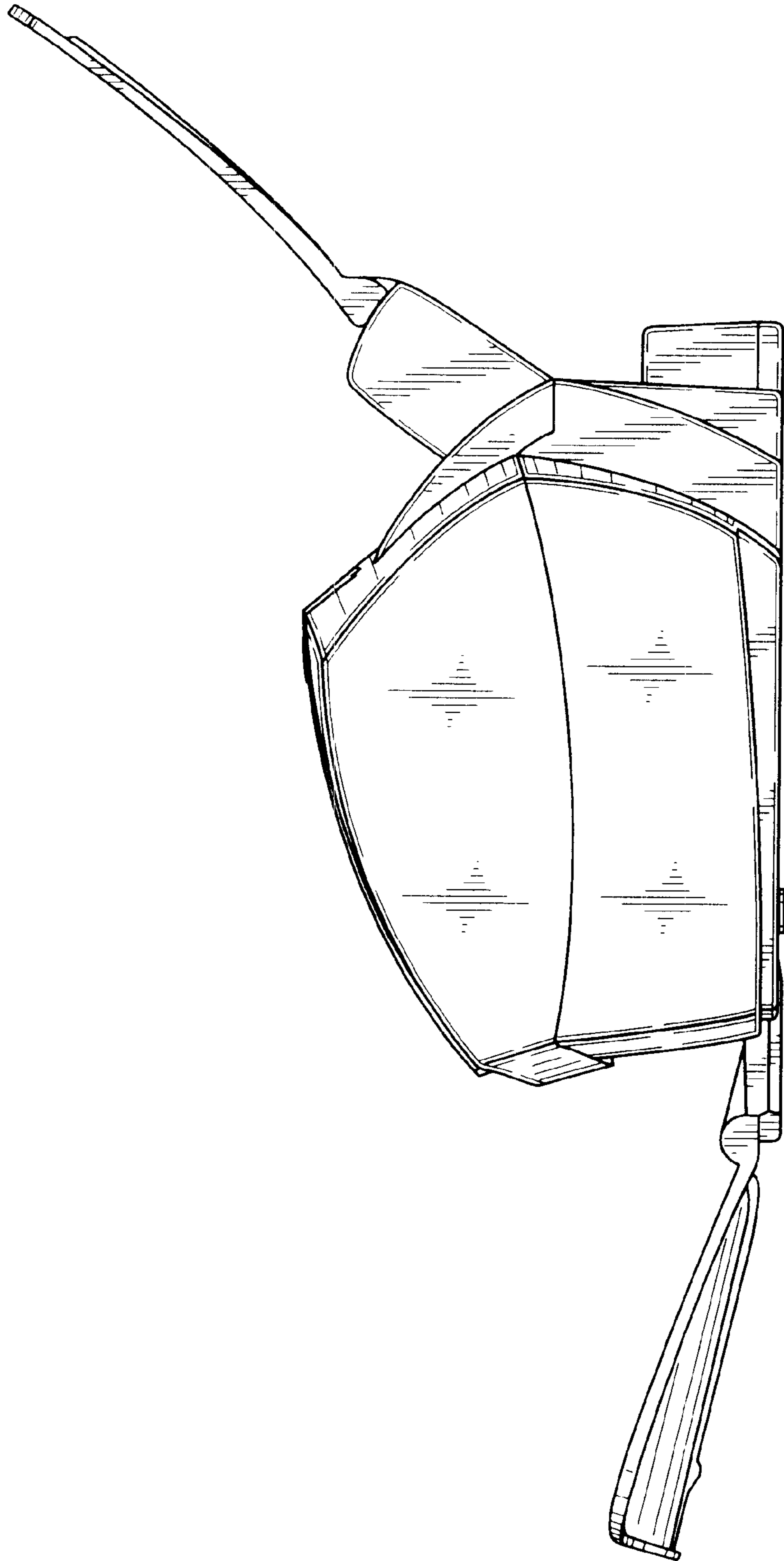


FIG. 7

