



US00D452704B1

(12) **United States Design Patent**  
**Kobayashi**

(10) **Patent No.:** **US D452,704 S**

(45) **Date of Patent:** **\*\* Jan. 1, 2002**

(54) **PRINTER**

(75) **Inventor:** **Tomoyuki Kobayashi, Yokohama (JP)**

(73) **Assignee:** **Fuji Xerox Company, Ltd., Tokyo (JP)**

(\*\*) **Term:** **14 Years**

(21) **Appl. No.:** **29/133,251**

(22) **Filed:** **Nov. 28, 2000**

(30) **Foreign Application Priority Data**

May 31, 2000 (JP) ..... 2000-014512

(51) **LOC (7) Cl.** ..... **14-02**

(52) **U.S. Cl.** ..... **D18/55**

(58) **Field of Search** ..... D18/36-39; D14/462-470;  
400/613, 613.1-613.4, 691-694, 690.1-690.4

(56) **References Cited**

**U.S. PATENT DOCUMENTS**

- D313,613 S \* 1/1991 Nagaya ..... D18/55
- D337,781 S \* 7/1993 Suzuki et al. .... D18/55
- D348,078 S \* 6/1994 Stewart et al. .... D18/55
- D382,584 S \* 8/1997 Takada ..... D18/55

- D384,694 S \* 10/1997 Kobayashi et al. .... D18/55
- D384,695 S \* 10/1997 Takada ..... D18/55
- D399,250 S \* 10/1998 Kawai ..... D18/55
- D402,688 S \* 12/1998 Laidlaw ..... D18/53
- D407,741 S \* 4/1999 Kusanagi ..... D18/55
- D423,562 S \* 4/2000 Kobayashi ..... D18/55
- D441,785 S \* 5/2001 Yoshida et al. .... D18/55

\* cited by examiner

*Primary Examiner*—Cathy Anne MacCormac

(74) *Attorney, Agent, or Firm*—Oliff & Berridge, PLC

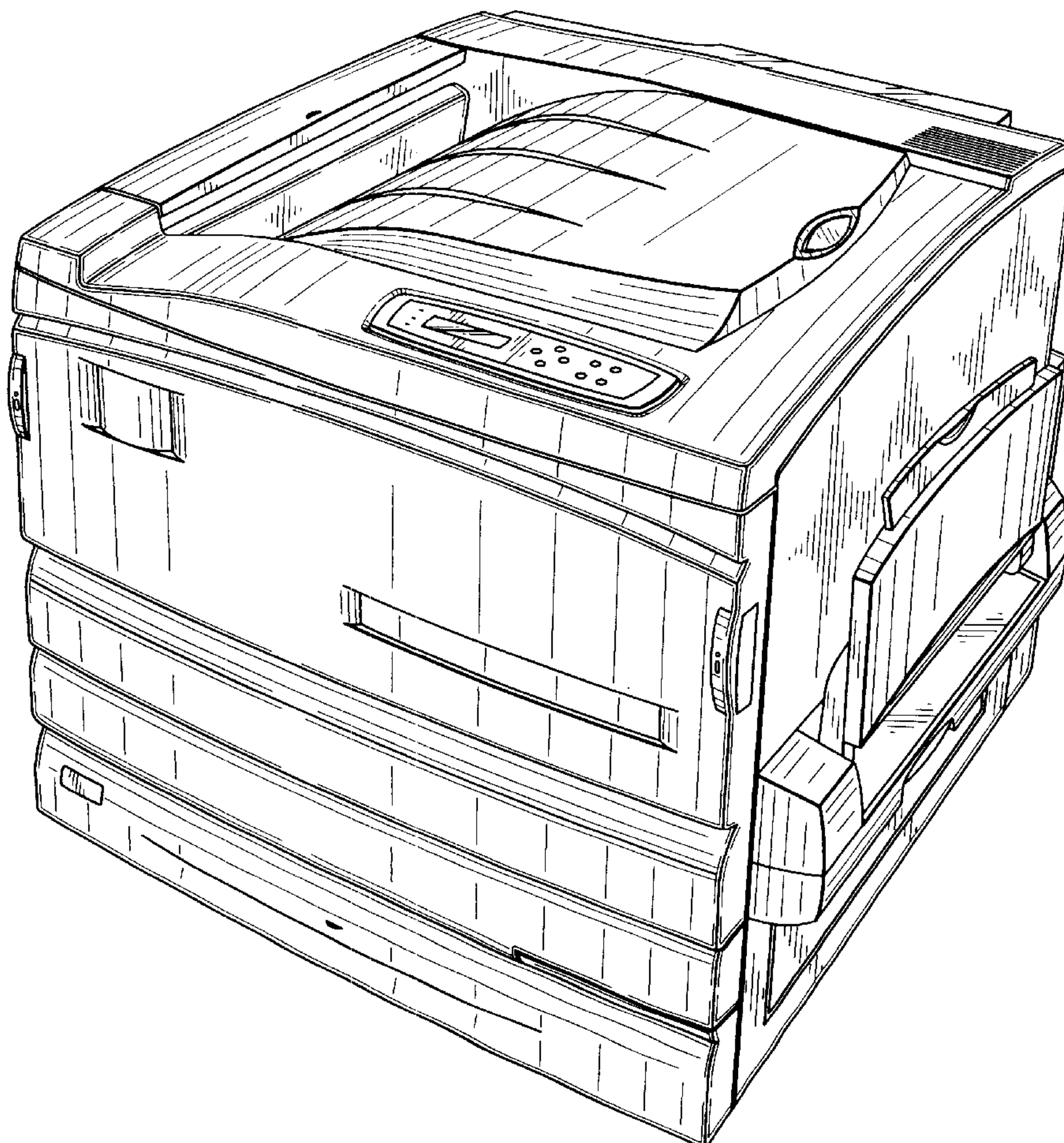
(57) **CLAIM**

The ornamental design for a printer, as shown and described.

**DESCRIPTION**

FIG. 1 is a perspective view of the top, front and right side of a printer showing my new design;  
 FIG. 2 is a front view thereof;  
 FIG. 3 is a top plan view thereof;  
 FIG. 4 is a right side view thereof;  
 FIG. 5 is a left side view thereof;  
 FIG. 6 is a rear view thereof; and,  
 FIG. 7 is a bottom view thereof.

**1 Claim, 7 Drawing Sheets**



*FIG. 1*

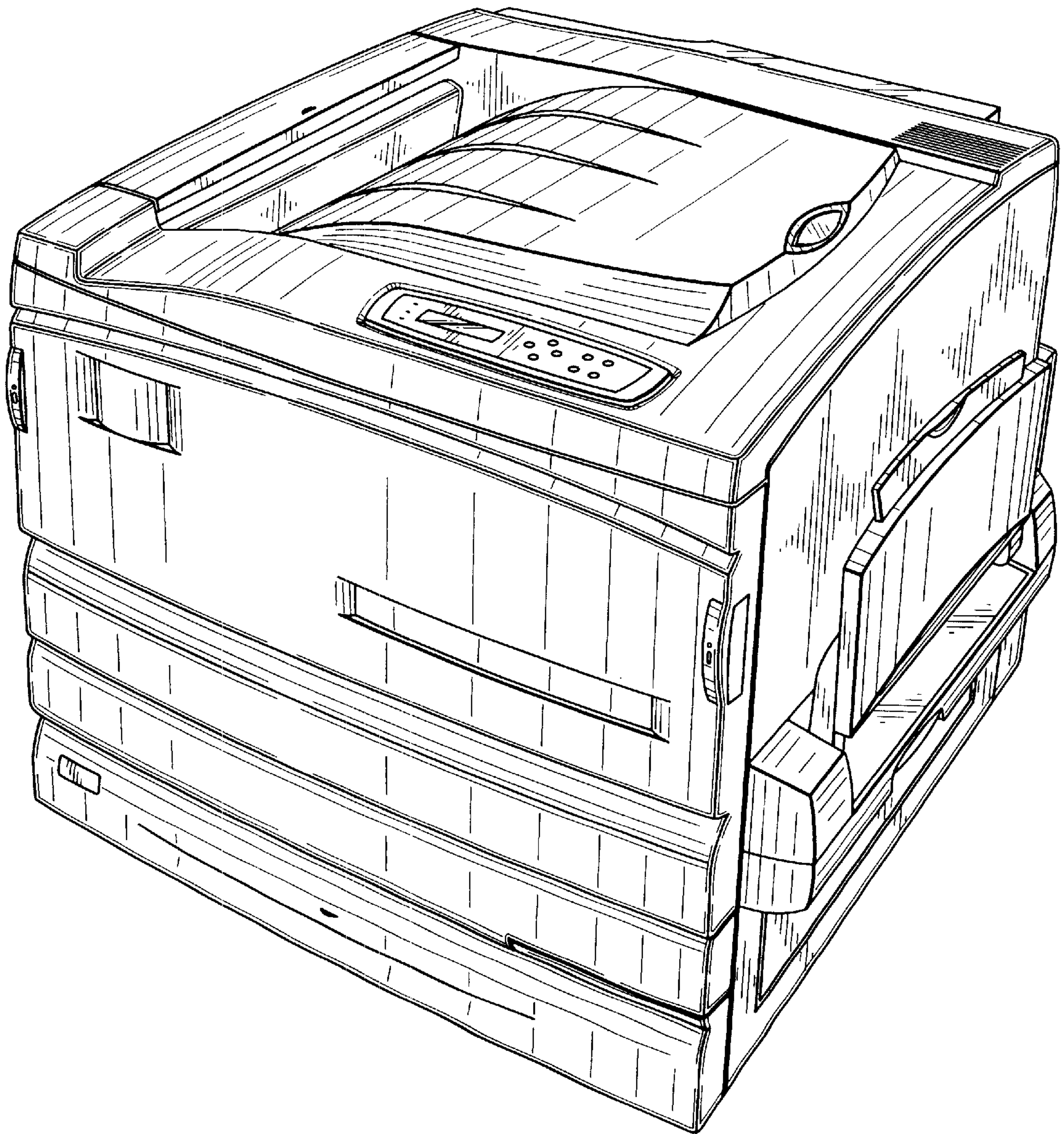
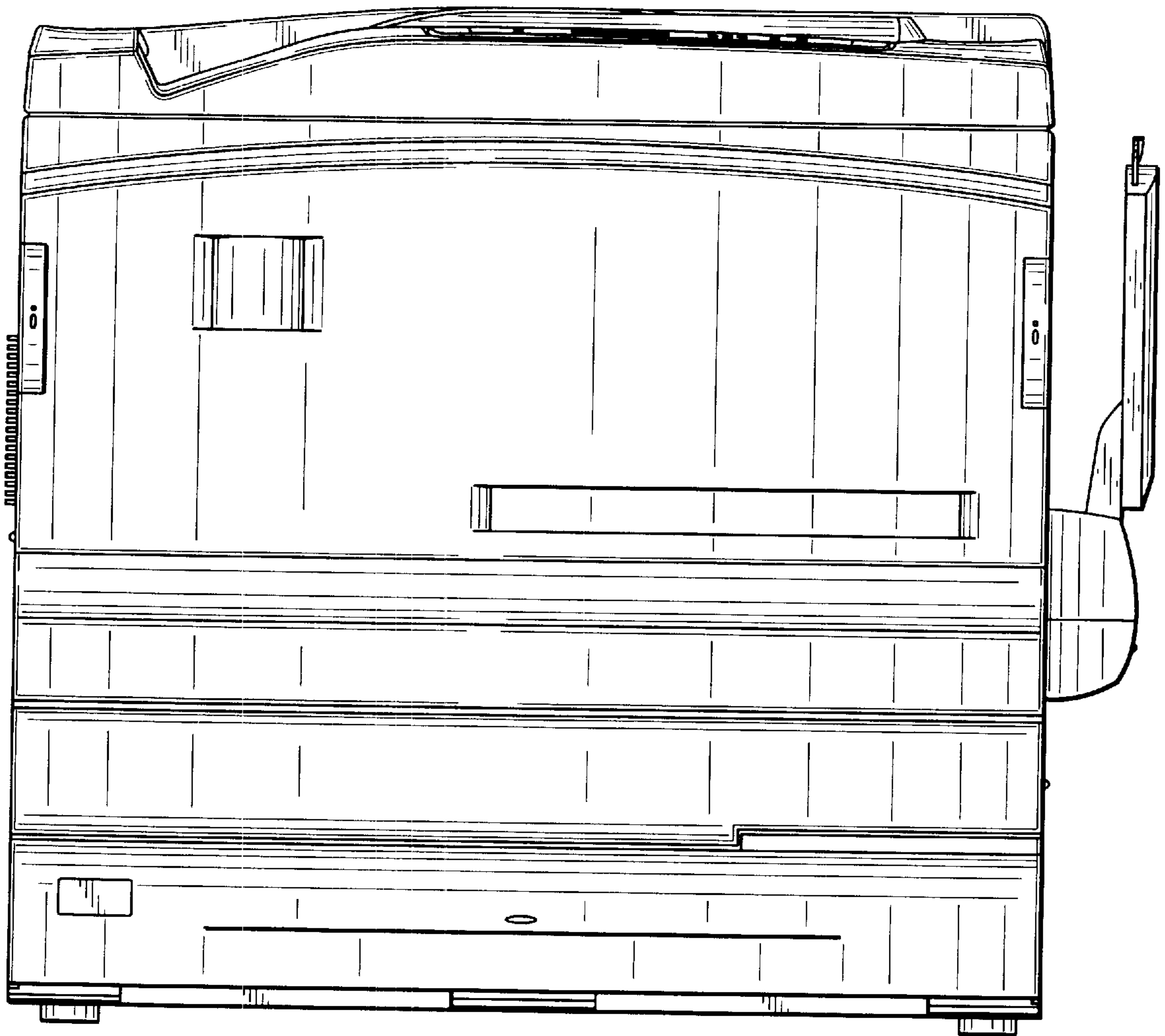




FIG. 2



*FIG. 3*

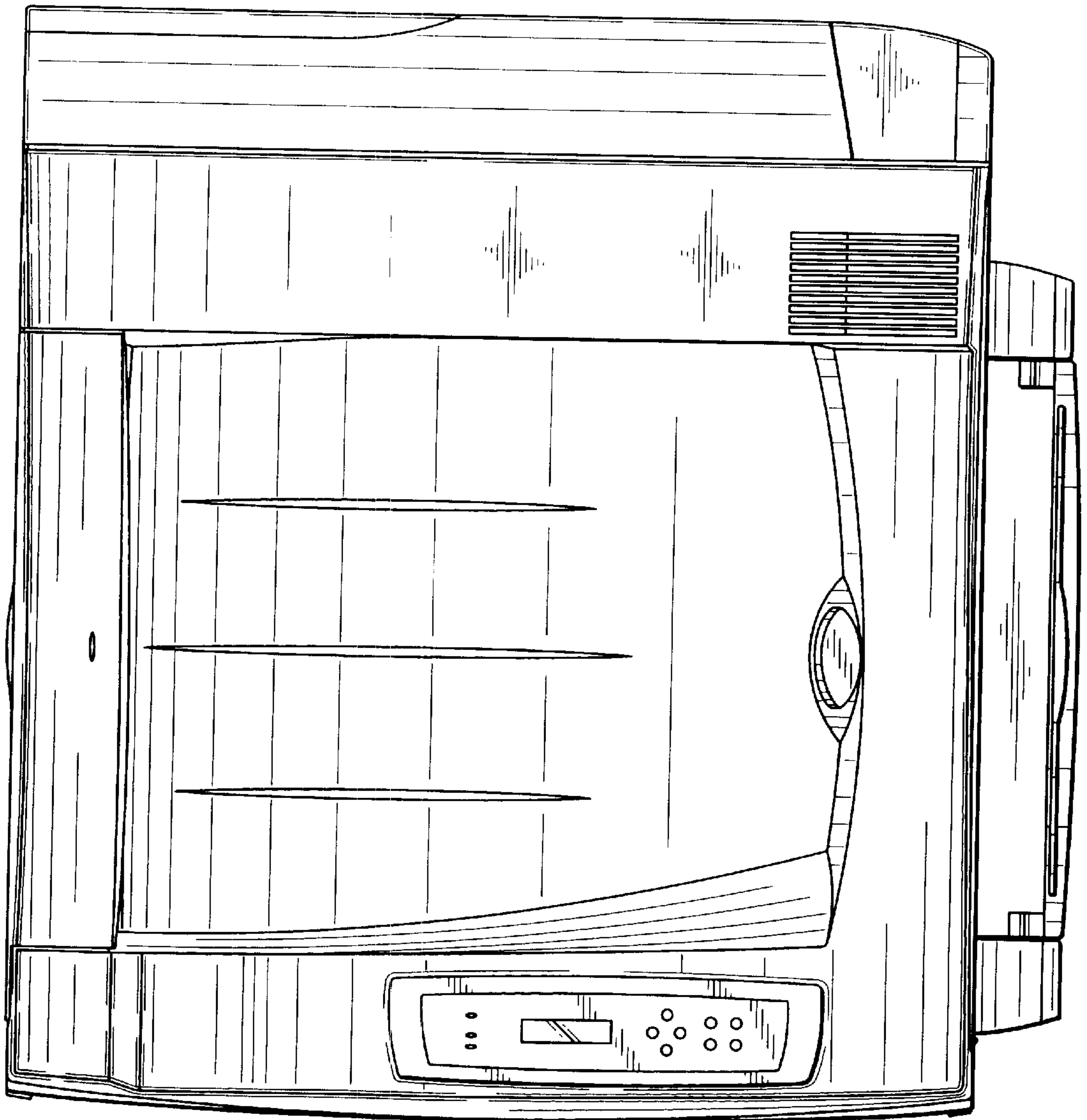


FIG. 4

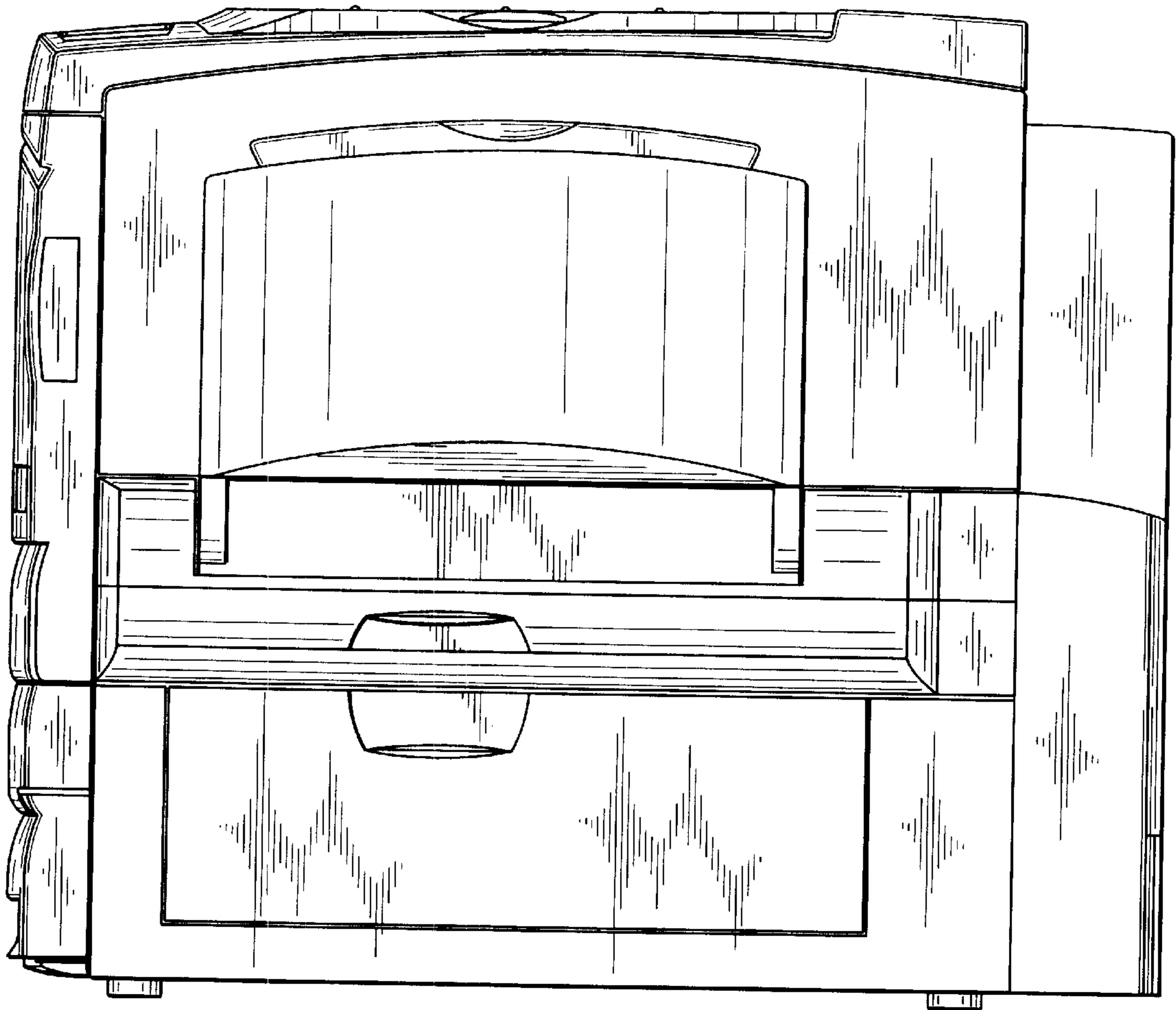
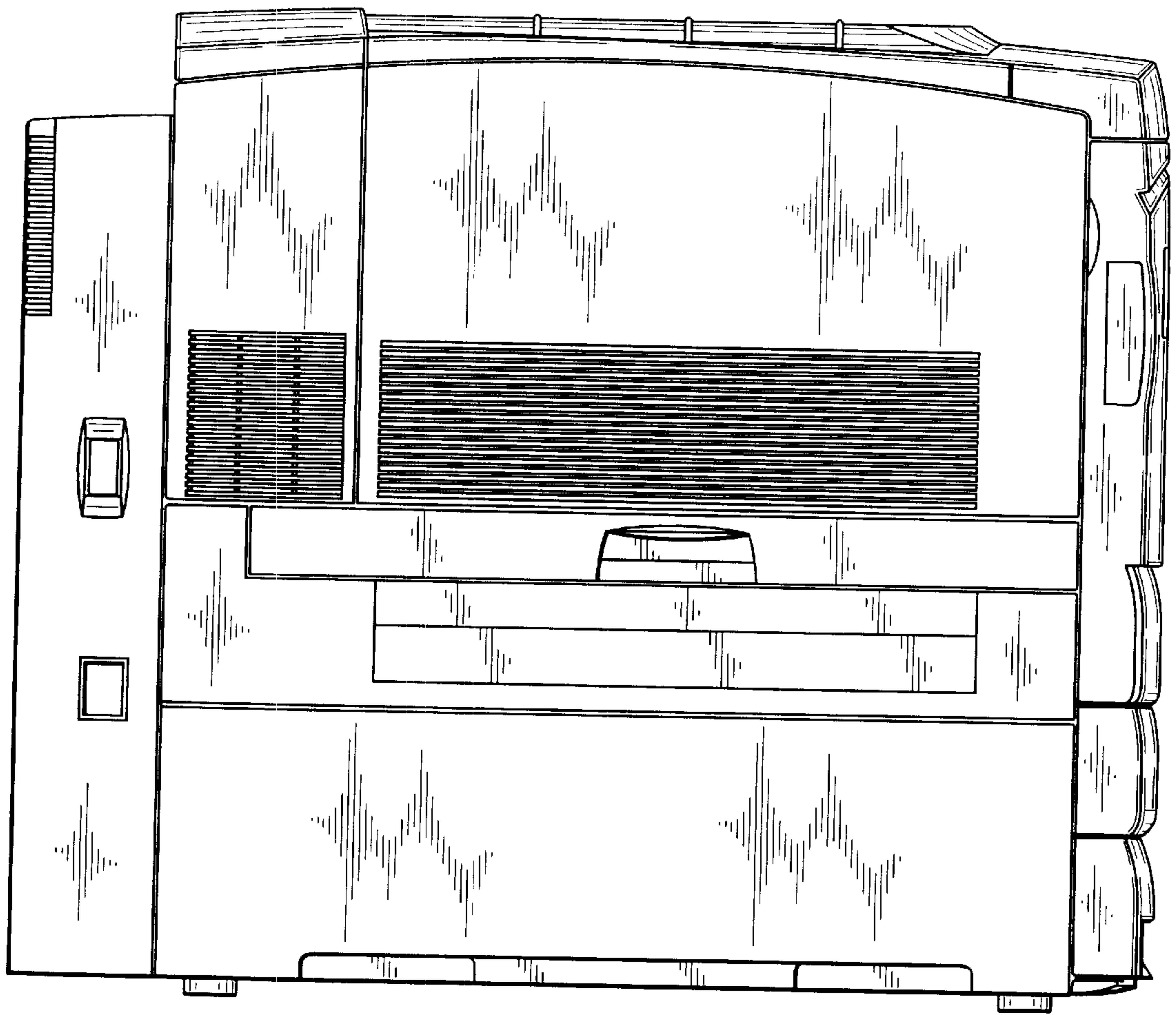
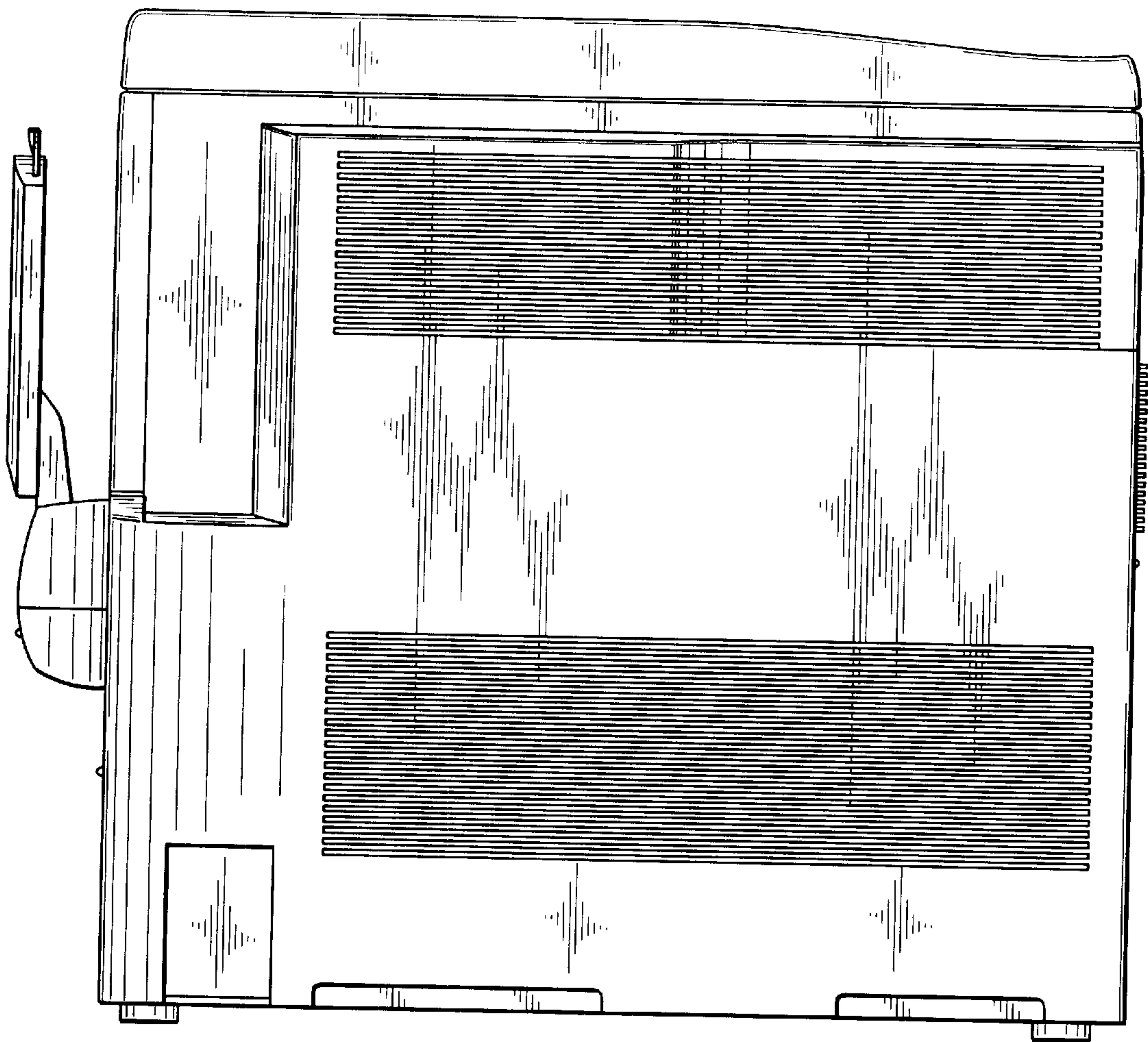


FIG. 5



*FIG. 6*



*FIG. 7*

