



US00D452703B1

(12) **United States Design Patent**
Hirose et al.

(10) **Patent No.:** **US D452,703 S**

(45) **Date of Patent:** **** Jan. 1, 2002**

(54) **PRINTER**

(75) Inventors: **Shingo Hirose**, Kokubunji; **Minoru Ikeda**, Inagi; **Kazuhiro Wakamatsu**, Hitachi, all of (JP)

(73) Assignee: **Hitachi, Ltd.**, Tokyo (JP)

(**) Term: **14 Years**

(21) Appl. No.: **29/132,372**

(22) Filed: **Nov. 8, 2000**

(30) **Foreign Application Priority Data**

Jul. 5, 2000 (JP) 12-018357

(51) **LOC (7) Cl.** **14-02**

(52) **U.S. Cl.** **D18/55**

(58) **Field of Search** D18/36-39, 50,
D18/54-55; D14/462-470; 400/613, 613.1-613.4,
691-694, 690.1-690.4

(56) **References Cited**

U.S. PATENT DOCUMENTS

D376,171 S * 12/1996 Senshiki D18/55
D386,519 S * 11/1997 Meschter et al. D18/55

D405,110 S * 2/1999 Yamamoto et al. D18/54
D421,455 S * 3/2000 Kobayashi et al. D18/54
D434,068 S * 11/2000 Ikeda et al. D18/54
D436,987 S * 1/2001 Suzuki et al. D18/55
D437,348 S * 2/2001 Hirose et al. D18/55
D443,891 S * 6/2001 Yonekawa et al. D18/55

* cited by examiner

Primary Examiner—Cathy Anne MacCormac

(74) *Attorney, Agent, or Firm*—Antonelli, Terry, Stout & Kraus, LLP

(57) **CLAIM**

The ornamental design for a printer, as shown and described.

DESCRIPTION

FIG. 1 is a front, top and right side perspective view of a printer showing our new design;
FIG. 2 is a top plan view thereof;
FIG. 3 is a front elevational view thereof;
FIG. 4 is a right side elevational view thereof;
FIG. 5 is a left side elevational view thereof;
FIG. 6 is a rear elevational view thereof; and,
FIG. 7 is a bottom view thereof.

1 Claim, 4 Drawing Sheets

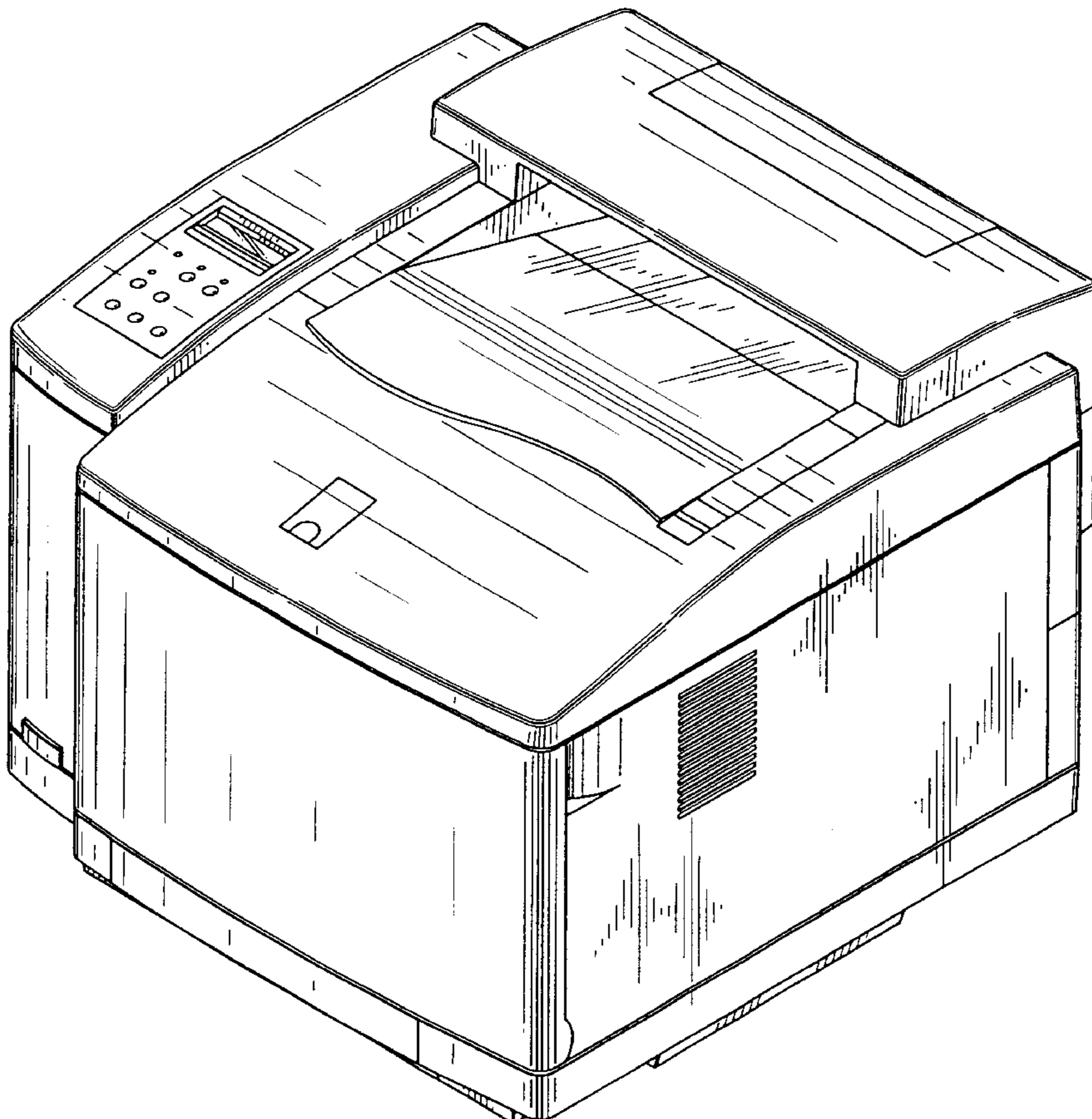


FIG. 1

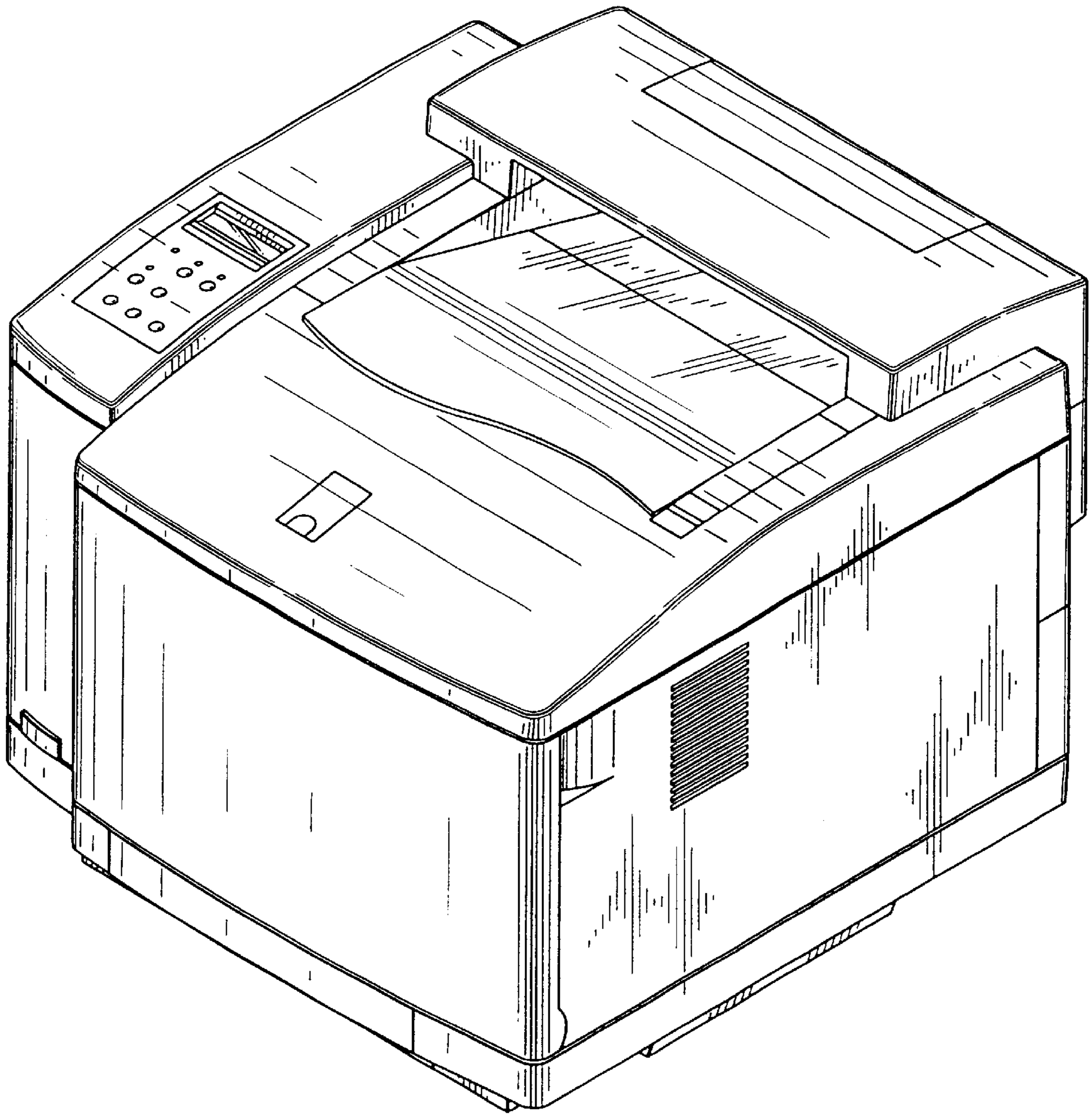


FIG. 2

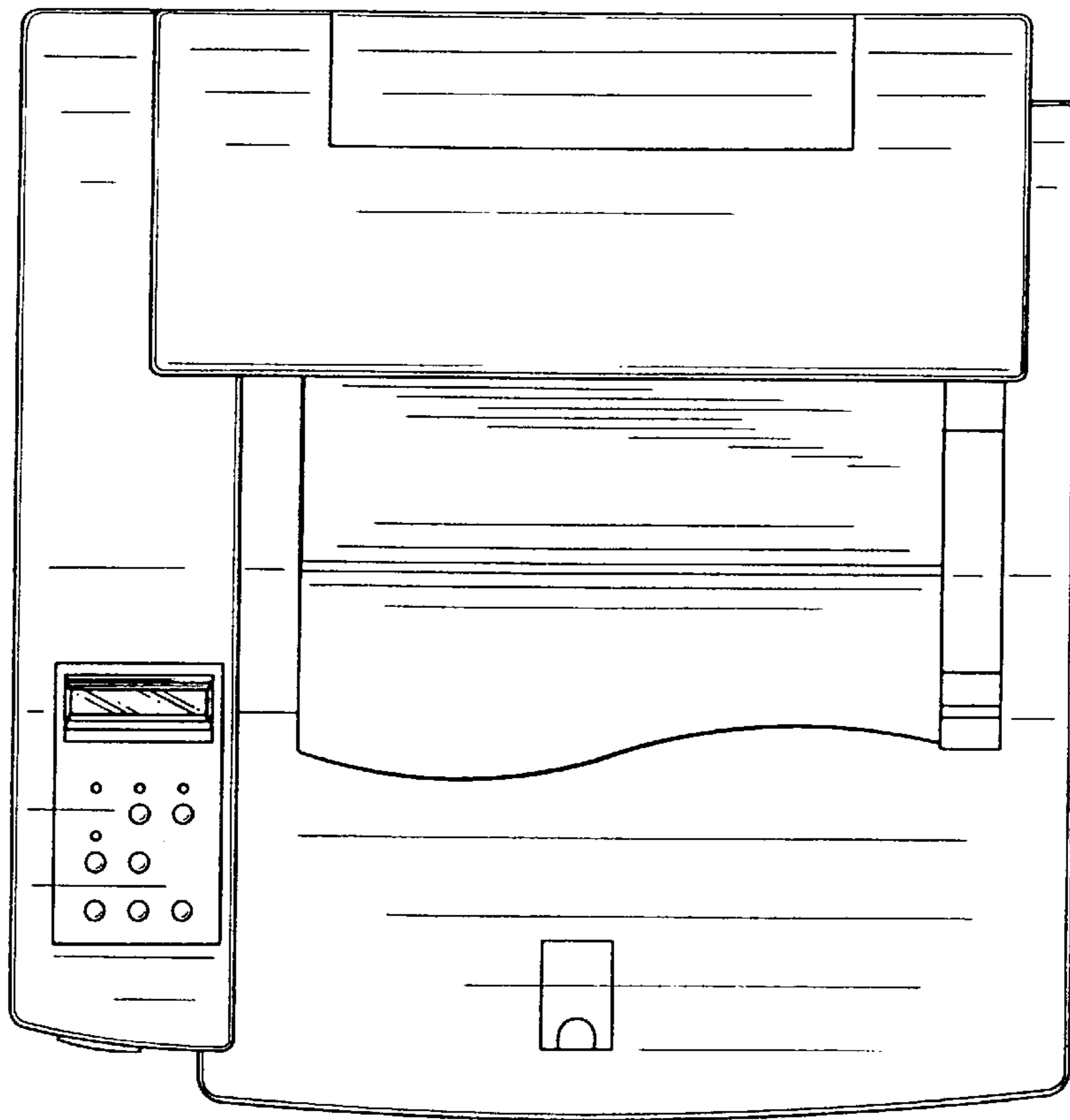


FIG. 3

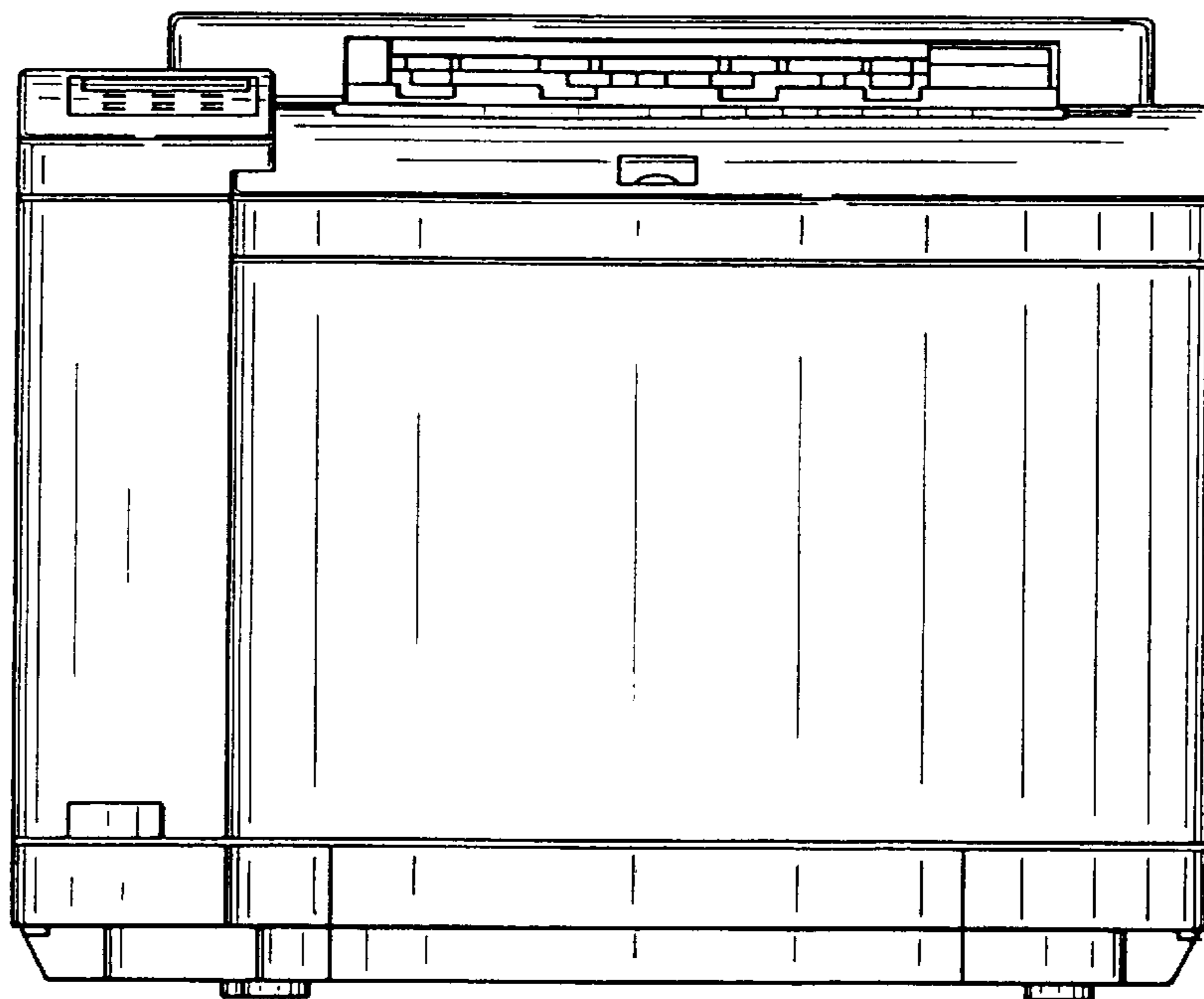


FIG. 4

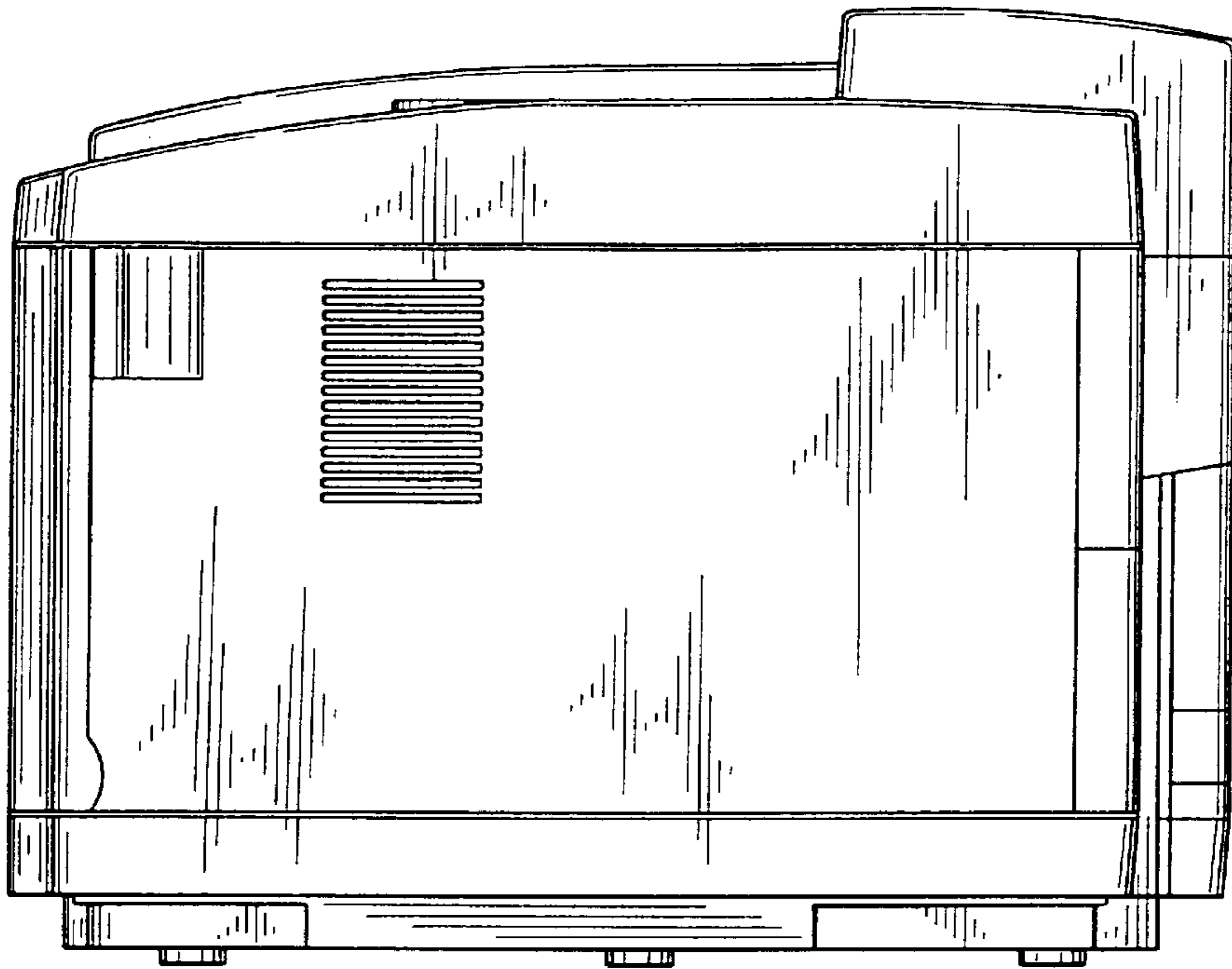


FIG. 5

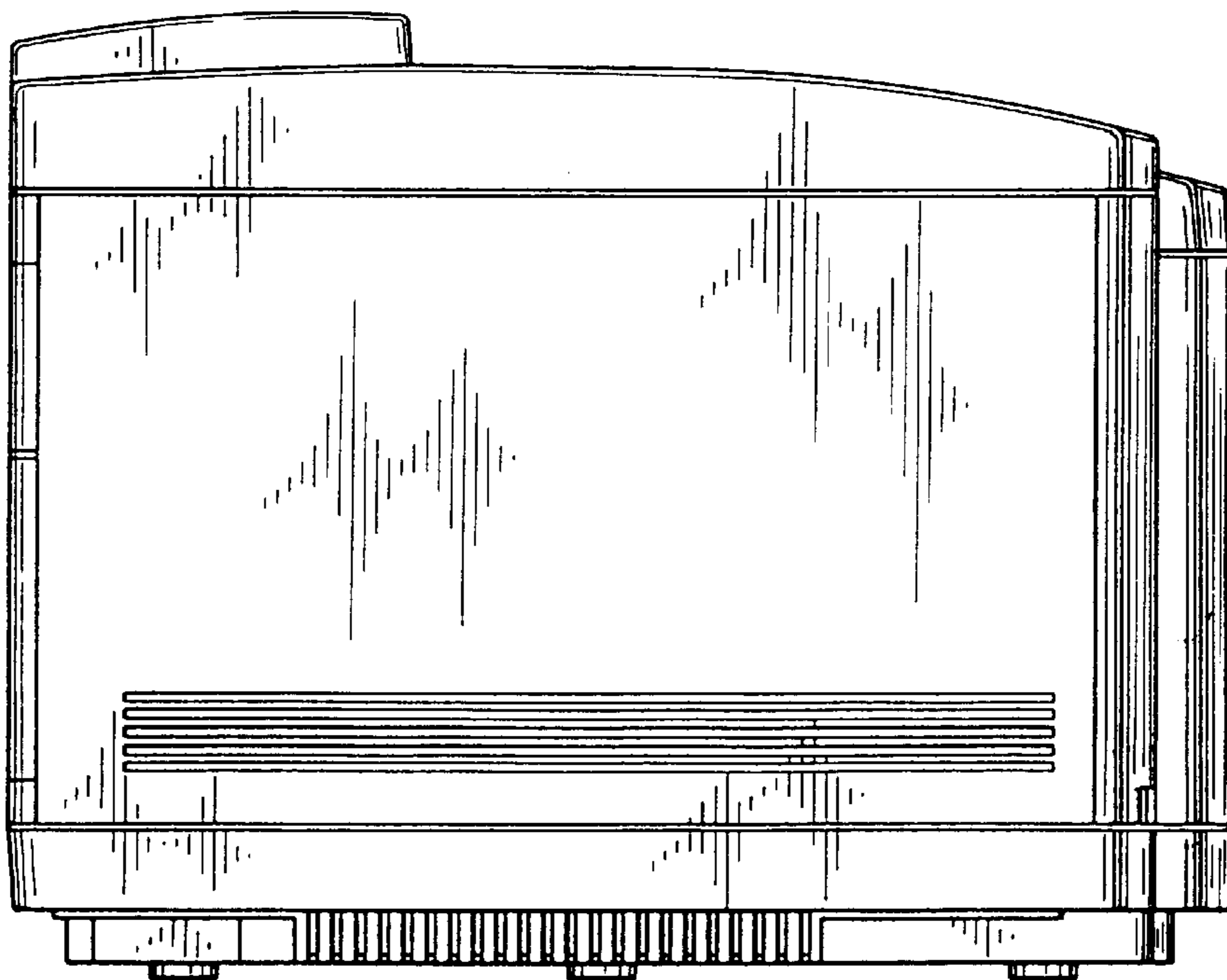


FIG. 6

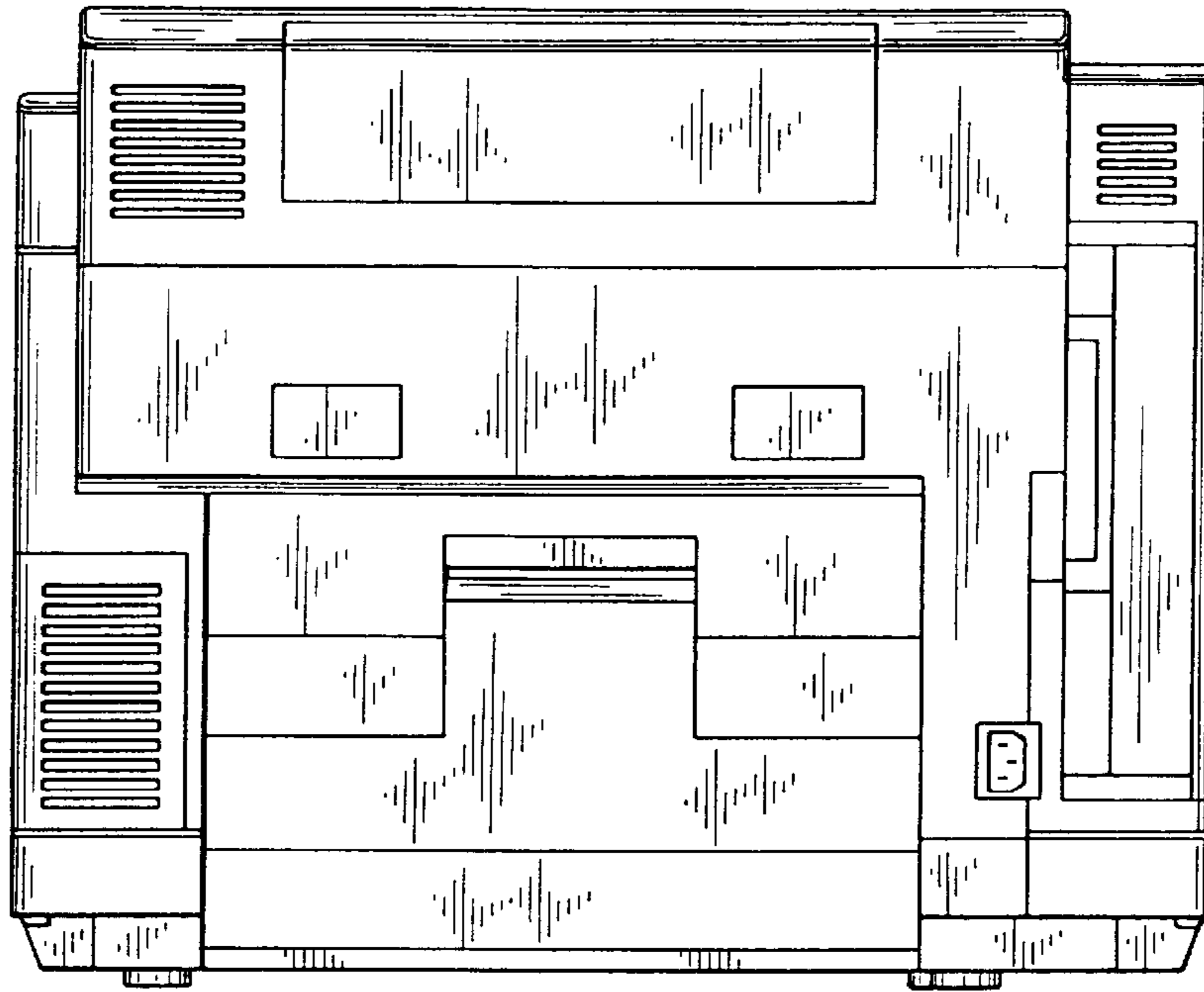


FIG. 7

