



US00D452699B1

(12) **United States Design Patent**  
**Isomoto et al.**

(10) **Patent No.:** **US D452,699 S**  
(45) **Date of Patent:** **\*\* Jan. 1, 2002**

(54) **TONER SUPPLYING CARTRIDGE FOR PHOTOCOPIER**

D404,063 S \* 1/1999 Komatsu et al. .... D18/43  
D422,302 S \* 4/2000 Ohashi et al. .... D18/43

(75) Inventors: **Masataka Isomoto**, Yokohama;  
**Yukihiro Kitozaki**, Kashiwa; **Hironori Minagawa**, Moriya-machi, all of (JP)

\* cited by examiner

*Primary Examiner*—Caron D. Veynar  
(74) *Attorney, Agent, or Firm*—Fitzpatrick, Cella, Harper & Scinto

(73) Assignee: **Canon Kabushiki Kaisha**, Tokyo (JP)

(\*\*) Term: **14 Years**

(57) **CLAIM**

(21) Appl. No.: **29/144,543**

The ornamental design for a toner supplying cartridge for photocopier, as shown and described.

(22) Filed: **Jul. 6, 2001**

**DESCRIPTION**

(30) **Foreign Application Priority Data**

Jan. 22, 2001 (JP) ..... 12-001042

FIG. 1 is a front view of a toner supplying cartridge for photocopier showing our new design;  
FIG. 2 is a rear view thereof;  
FIG. 3 is a top plan view thereof;  
FIG. 4 is a bottom plan view thereof;  
FIG. 5 is a left side view thereof;  
FIG. 6 is a right side view thereof; and,  
FIG. 7 is a perspective view thereof.

(51) **LOC (7) Cl.** ..... **16-03**

(52) **U.S. Cl.** ..... **D18/43**

(58) **Field of Search** ..... D18/40, 43, 56;  
399/24, 25, 27, 28, 61, 99, 106, 262

(56) **References Cited**

**U.S. PATENT DOCUMENTS**

D353,615 S \* 12/1994 Agata et al. .... D18/43

**1 Claim, 6 Drawing Sheets**

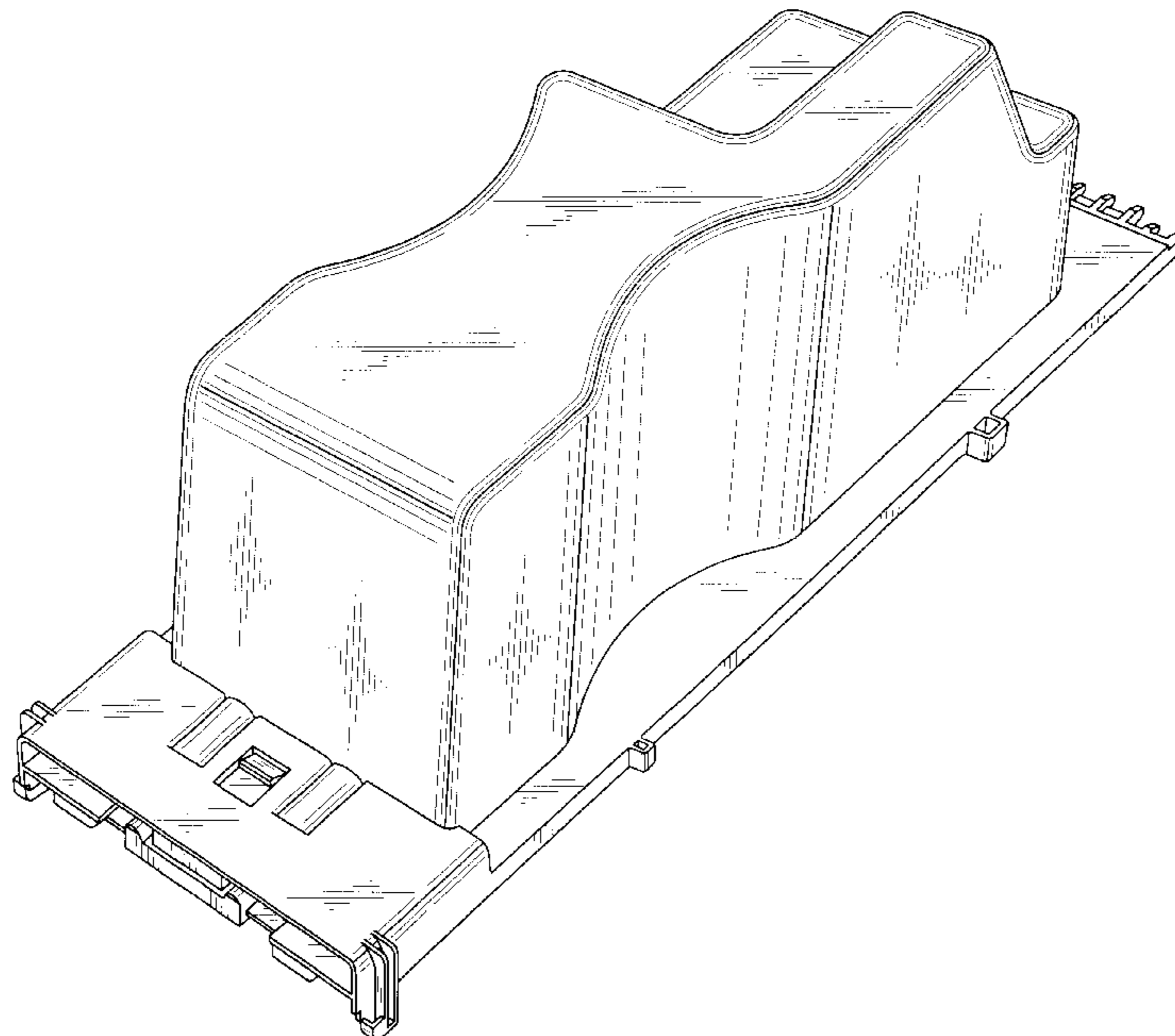


FIG. 1

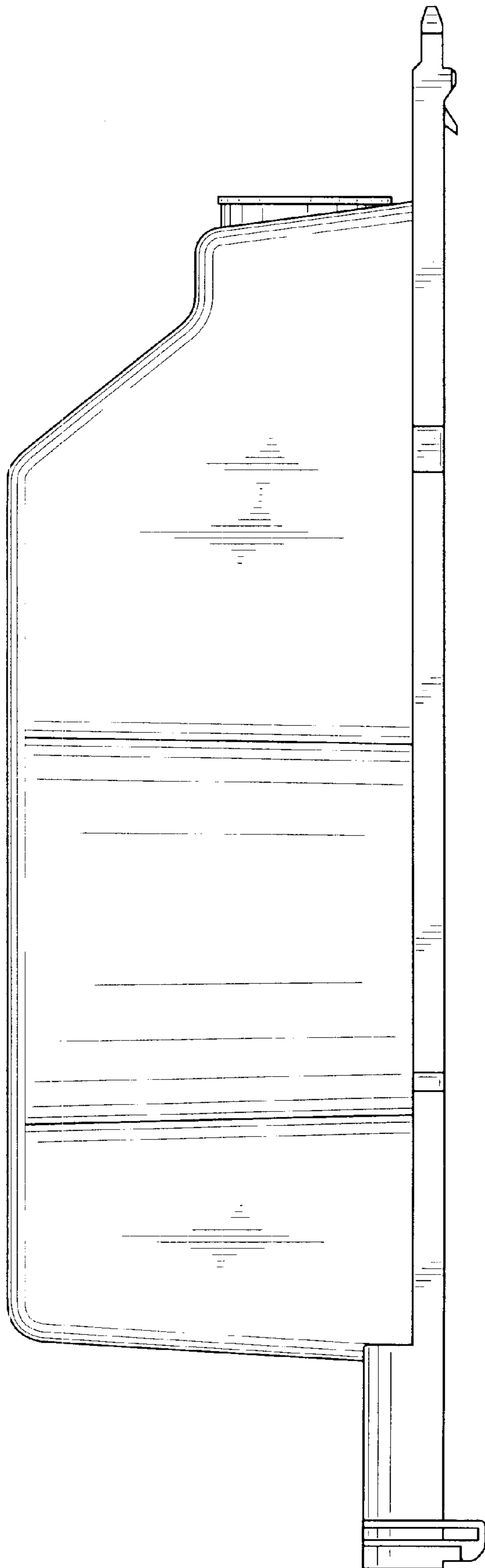


FIG. 2

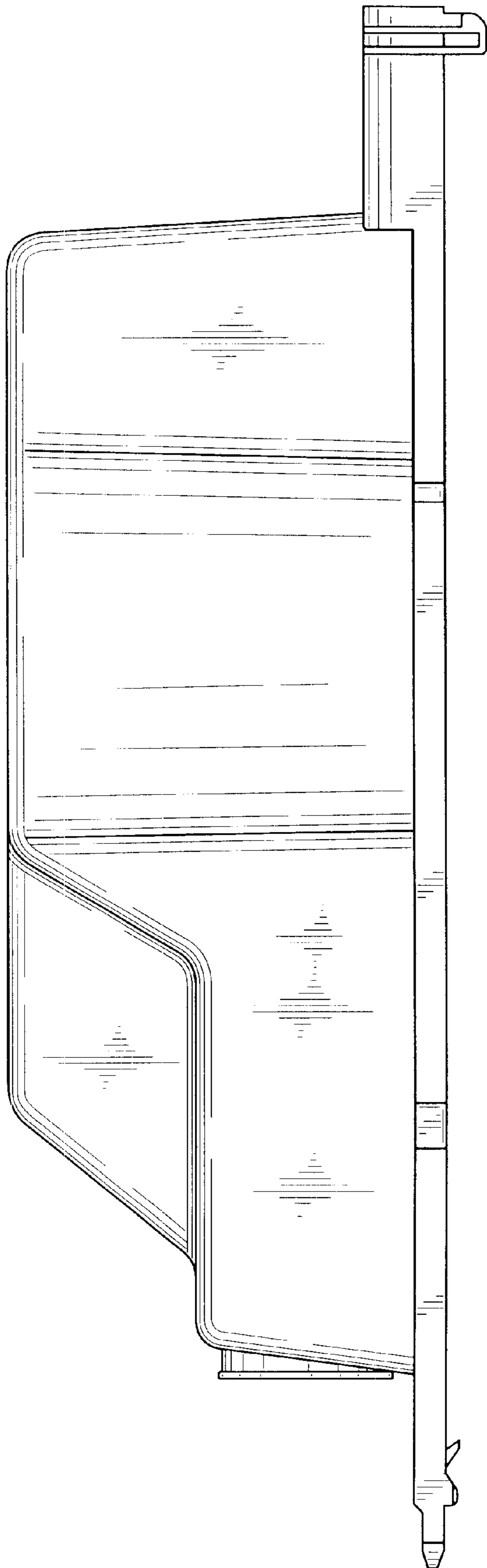
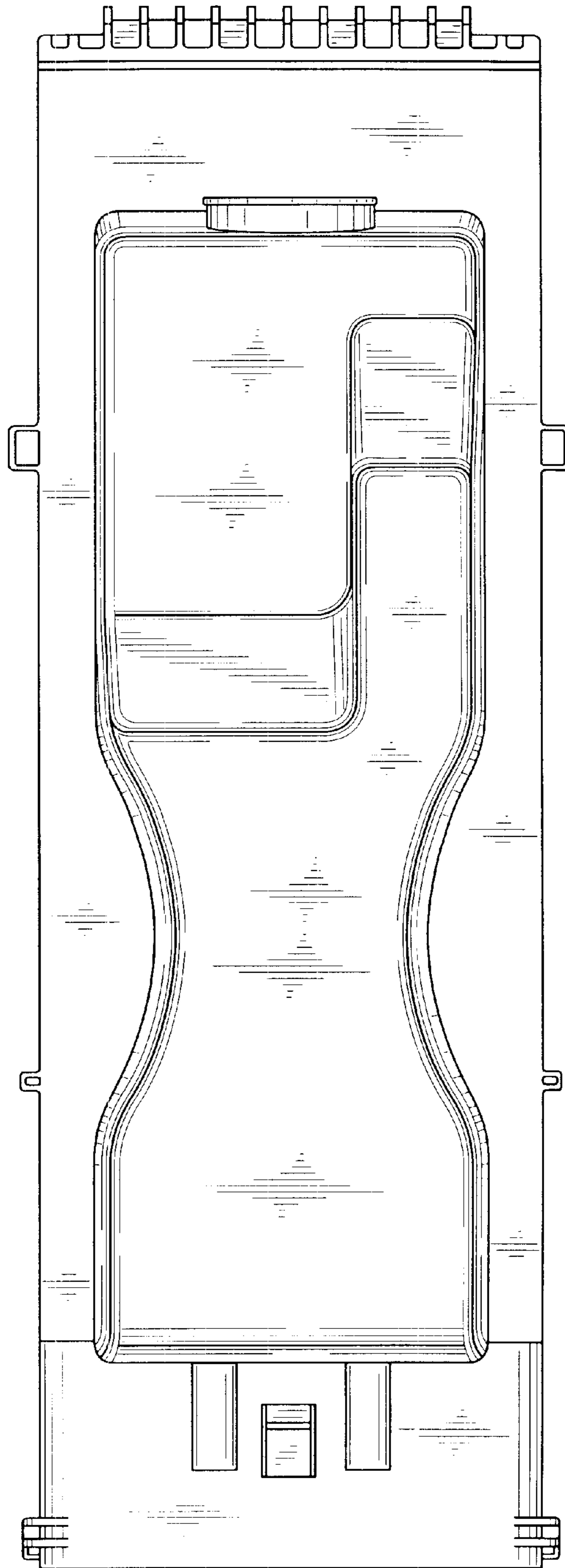


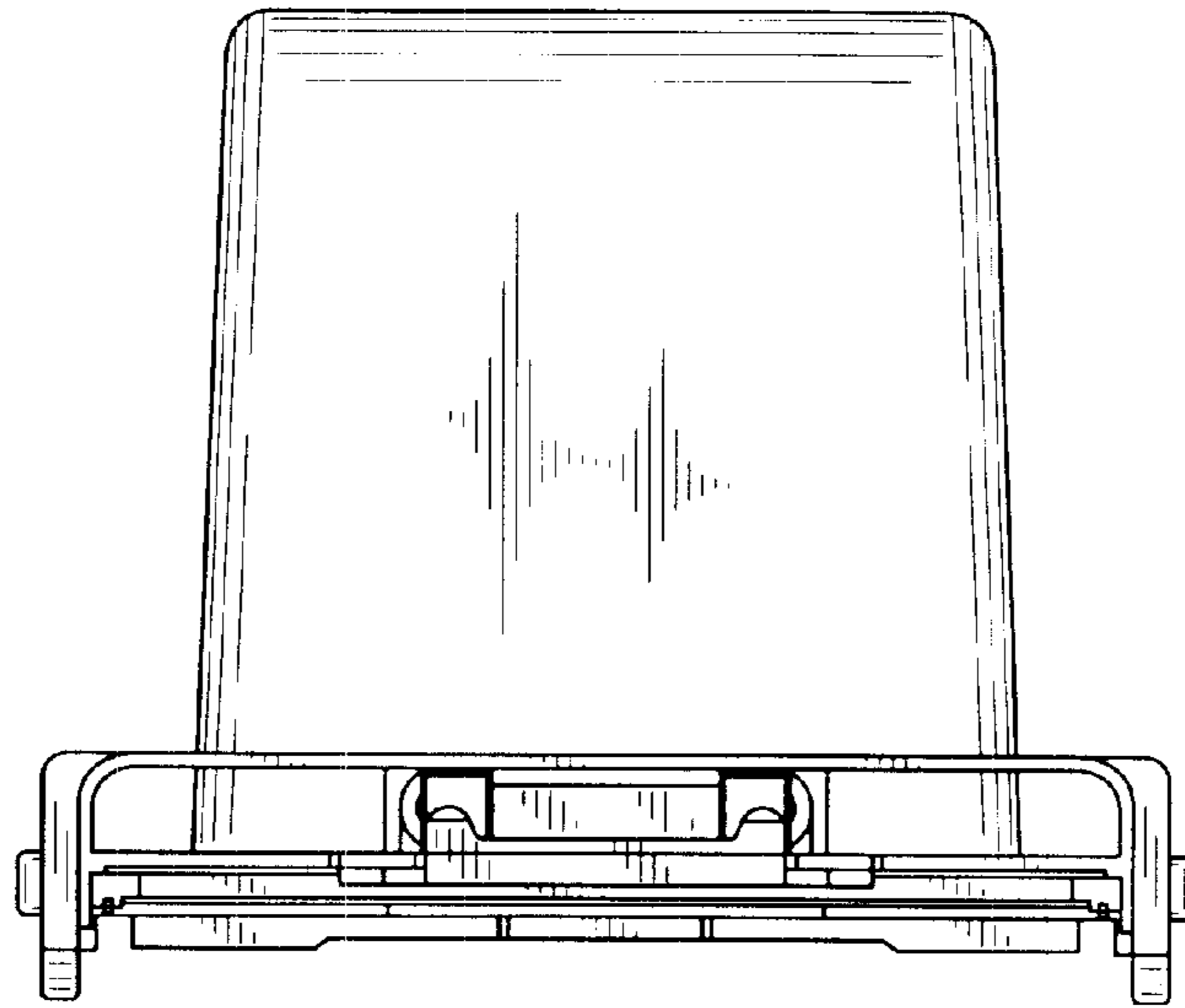
FIG. 3



*FIG. 4*



*FIG. 5*



*FIG. 6*

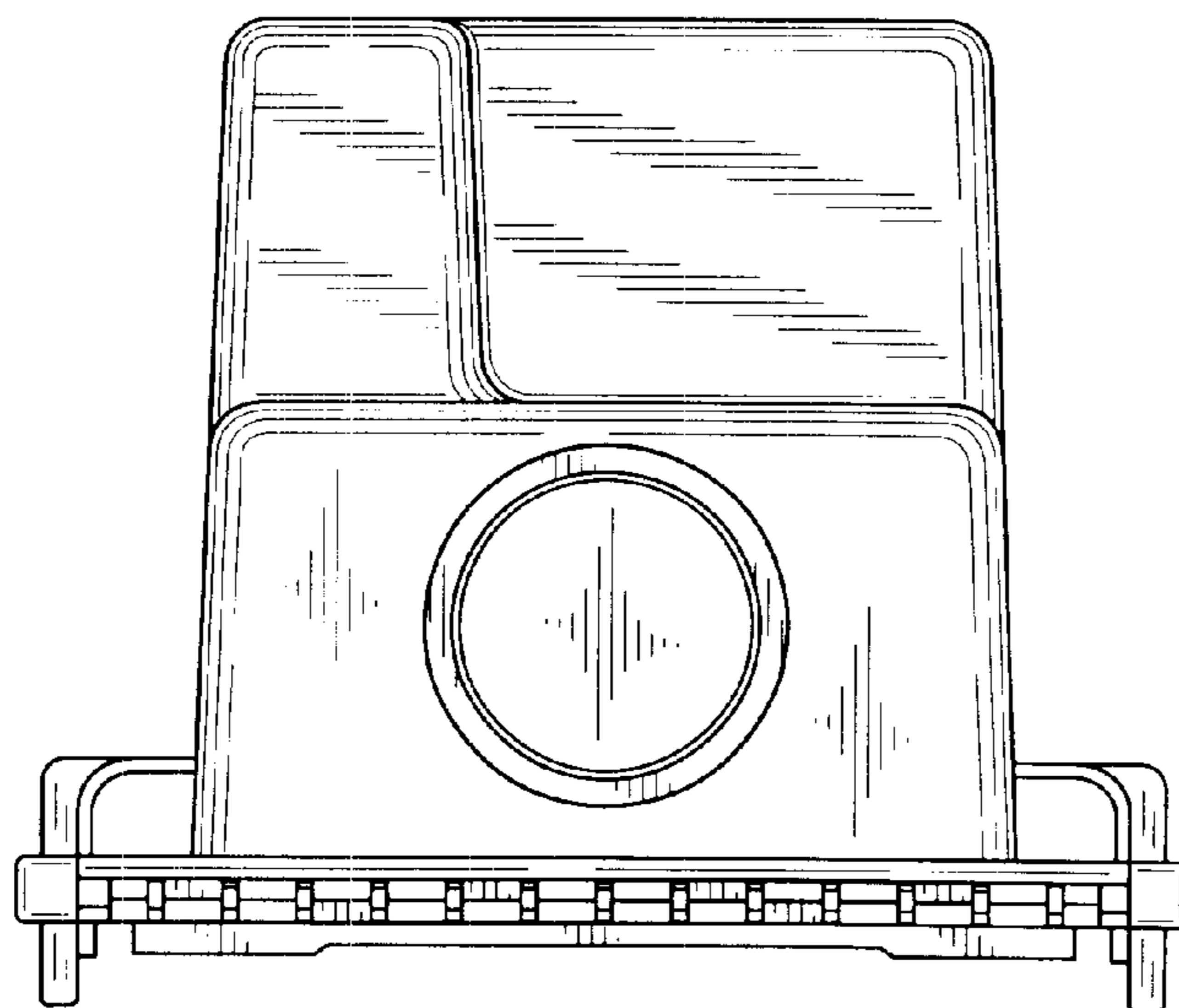
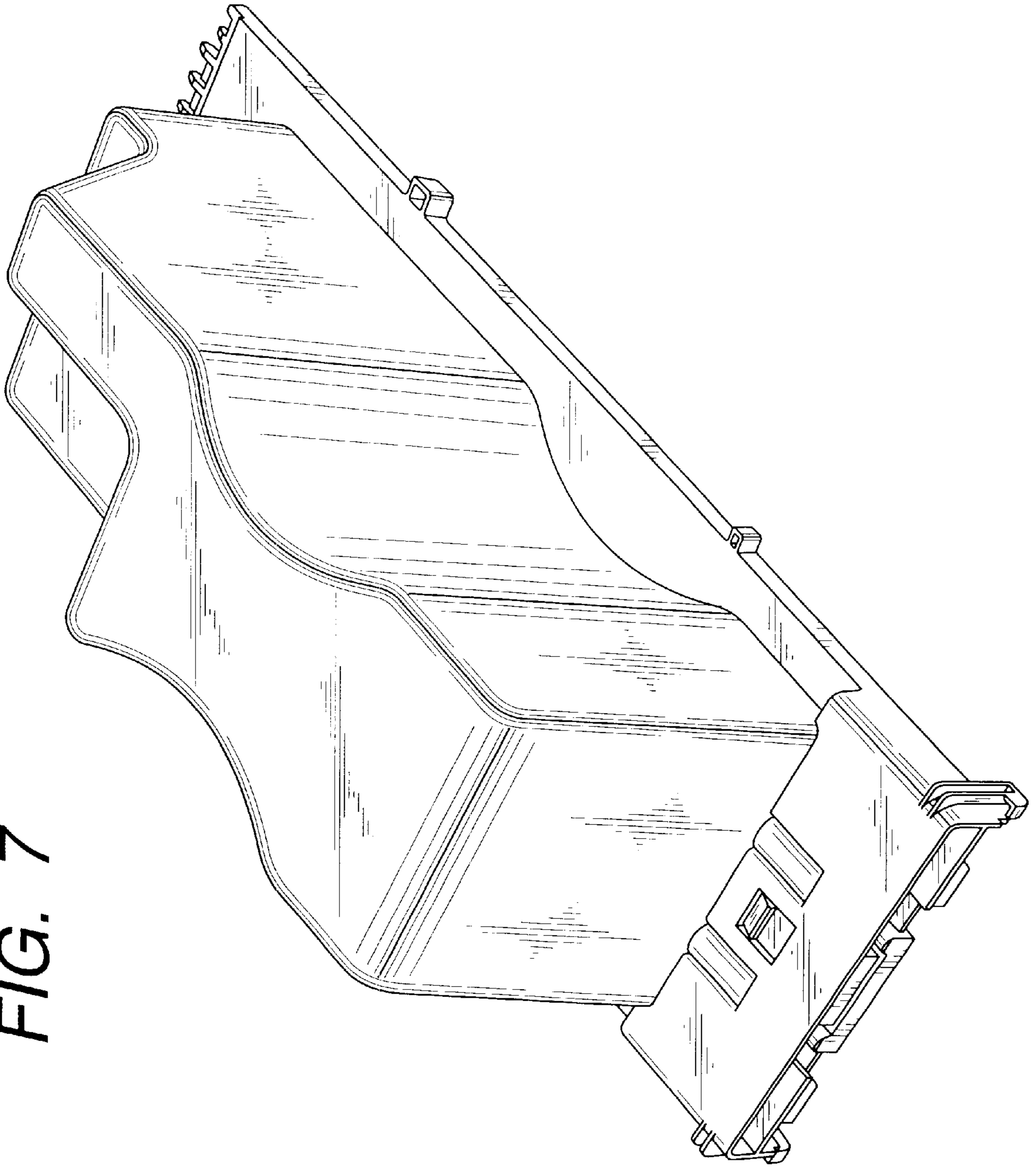


FIG. 7





UNITED STATES PATENT AND TRADEMARK OFFICE  
**CERTIFICATE OF CORRECTION**

PATENT NO. : Des 452,699 S  
DATED : January 1, 2002  
INVENTOR(S) : Masatak Isomoto et al.

Page 1 of 1

It is certified that error appears in the above-identified patent and that said Letters Patent is hereby corrected as shown below:

Title page,

Item [30], **Foreign Application Priority Data**, "12-001042" should read  
-- 2001-001042 --.

Signed and Sealed this

Fourth Day of June, 2002

*Attest:*

A handwritten signature in black ink, appearing to read "James E. Rogan", written over a horizontal line.

*Attesting Officer*

JAMES E. ROGAN  
*Director of the United States Patent and Trademark Office*