



US00D452697B1

(12) **United States Design Patent**
Fallowfield et al.

(10) **Patent No.:** **US D452,697 S**

(45) **Date of Patent:** **** Jan. 1, 2002**

(54) **CAMERA MOUNTING**

(75) Inventors: **Alan John Fallowfield**, Pennington;
Martin William Willis, Fleet, both of
(GB)

(73) Assignee: **A-109 Company Limited**, East Wellow
(GB)

(**) Term: **14 Years**

(21) Appl. No.: **29/102,494**

(22) Filed: **Mar. 25, 1999**

(30) **Foreign Application Priority Data**

Sep. 29, 1998 (GB) 2078044

(51) **LOC (7) Cl.** **16-05**

(52) **U.S. Cl.** **D16/242**

(58) **Field of Search** D16/237, 242,
D16/245, 203; 348/373-376, 143; 248/177.1,
178.1, 183.3, 187.1; 396/419, 427, 428

(56) **References Cited**

U.S. PATENT DOCUMENTS

3,916,097 A * 10/1975 Imai 396/419

D248,305 S * 6/1978 Scott D16/203
4,736,218 A * 4/1988 Kutman 396/427
D308,067 S * 5/1990 Mednick D16/245
5,181,120 A * 1/1993 Hickey et al. 348/373
5,905,923 A * 5/1999 Chitsaz et al. 396/428

* cited by examiner

Primary Examiner—Adir Aronovich

(74) *Attorney, Agent, or Firm*—Mattingly, Stanger &
Malur, P.C.

(57) **CLAIM**

The ornamental design for a camera mounting, as shown and described.

DESCRIPTION

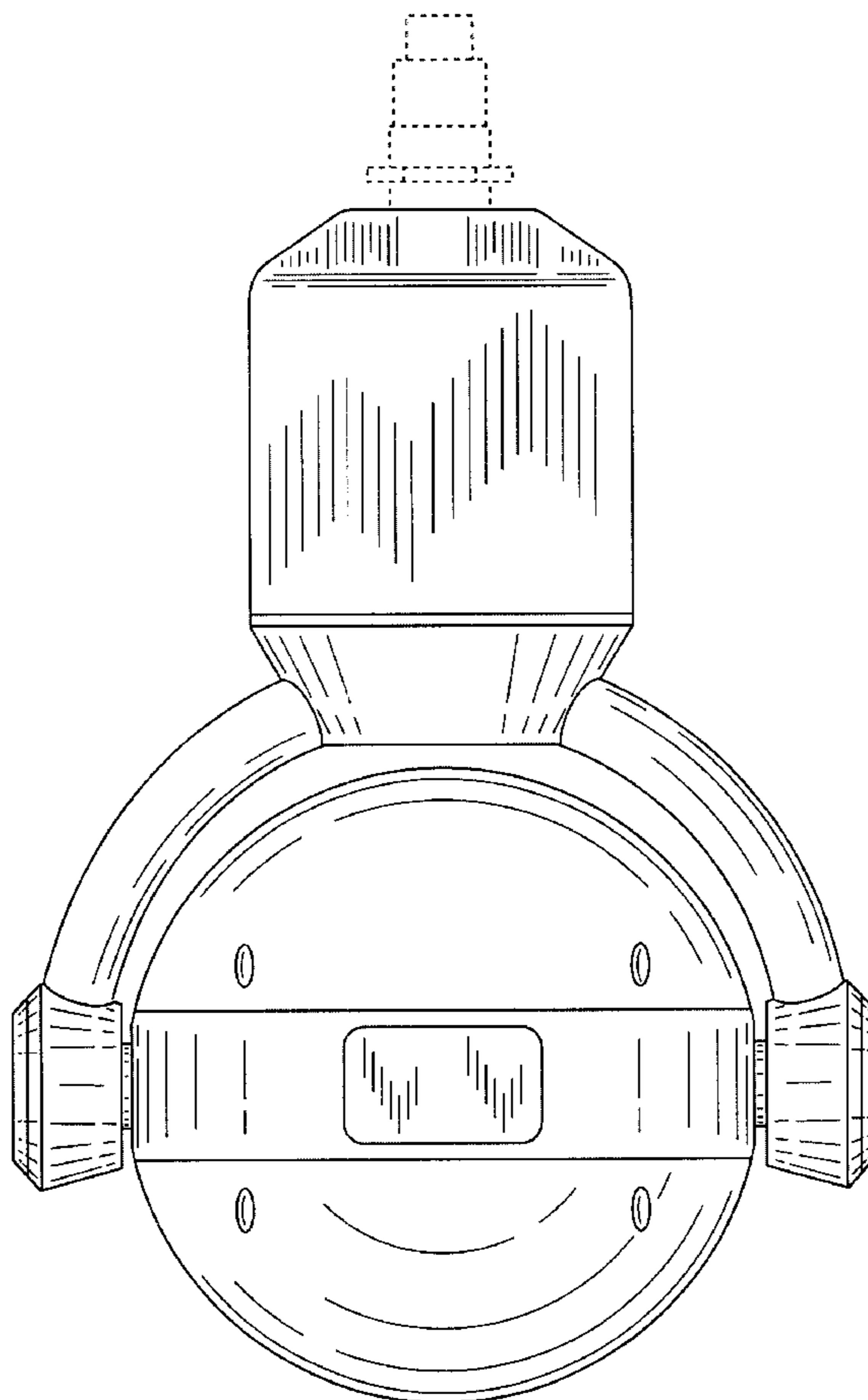
FIG. 1 is a front elevational view of a camera mounting showing my new design;

FIG. 2 is a side elevational view thereof; and,

FIG. 3 is a bottom plan view thereof.

The broken lines in FIG. 1 and 2 are shown to illustrate environment only and form no part of the claimed design.

1 Claim, 3 Drawing Sheets



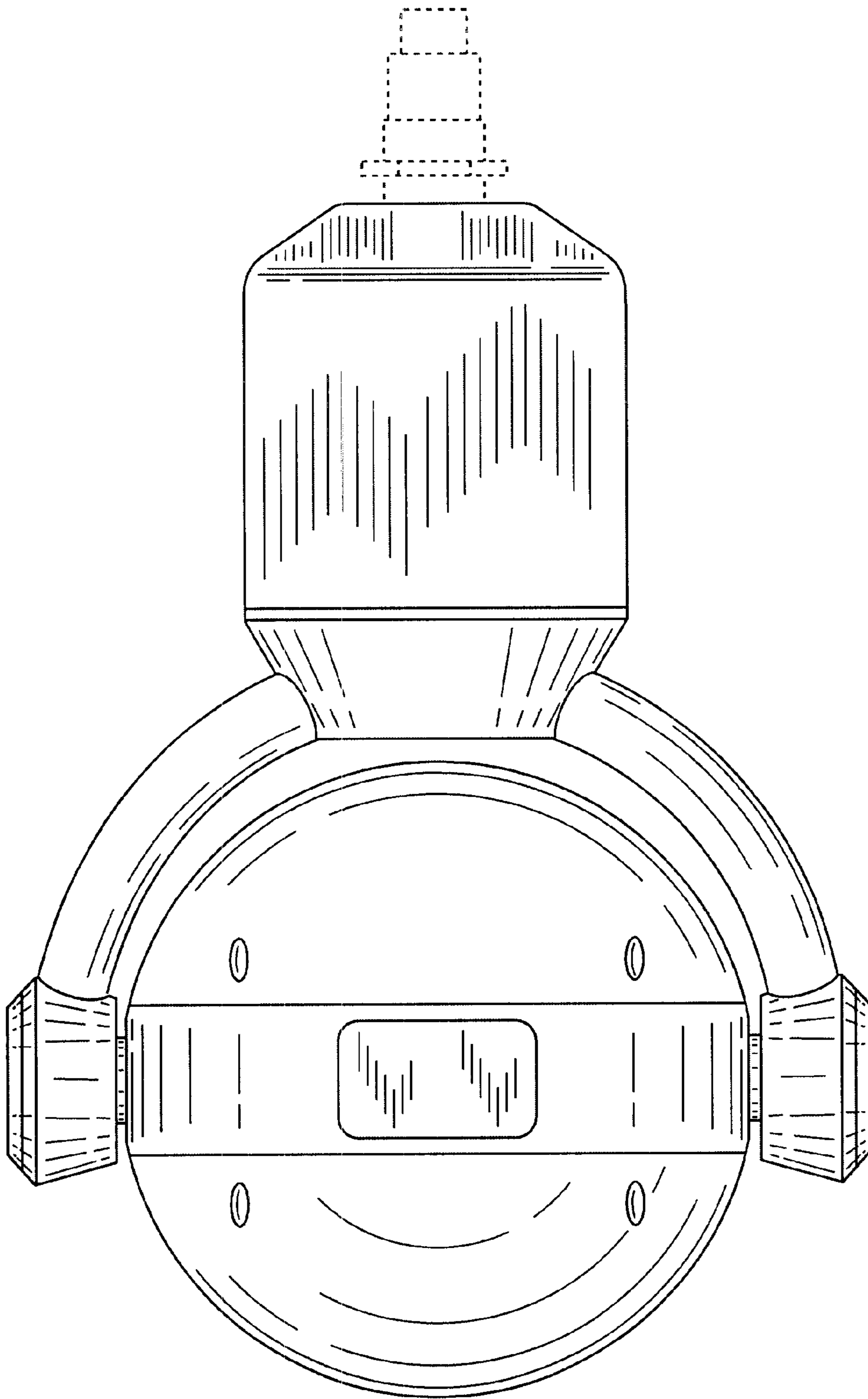


FIG. 1

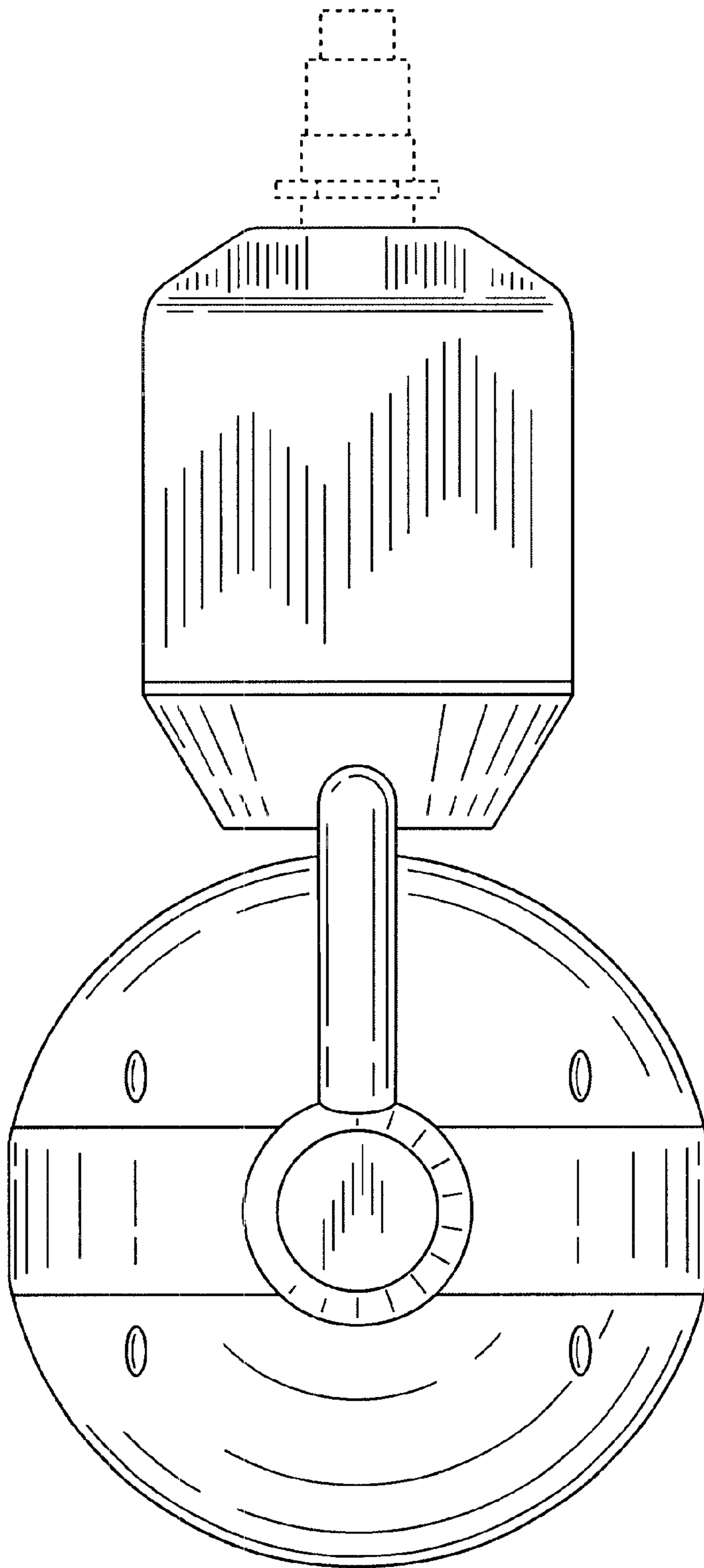


FIG. 2

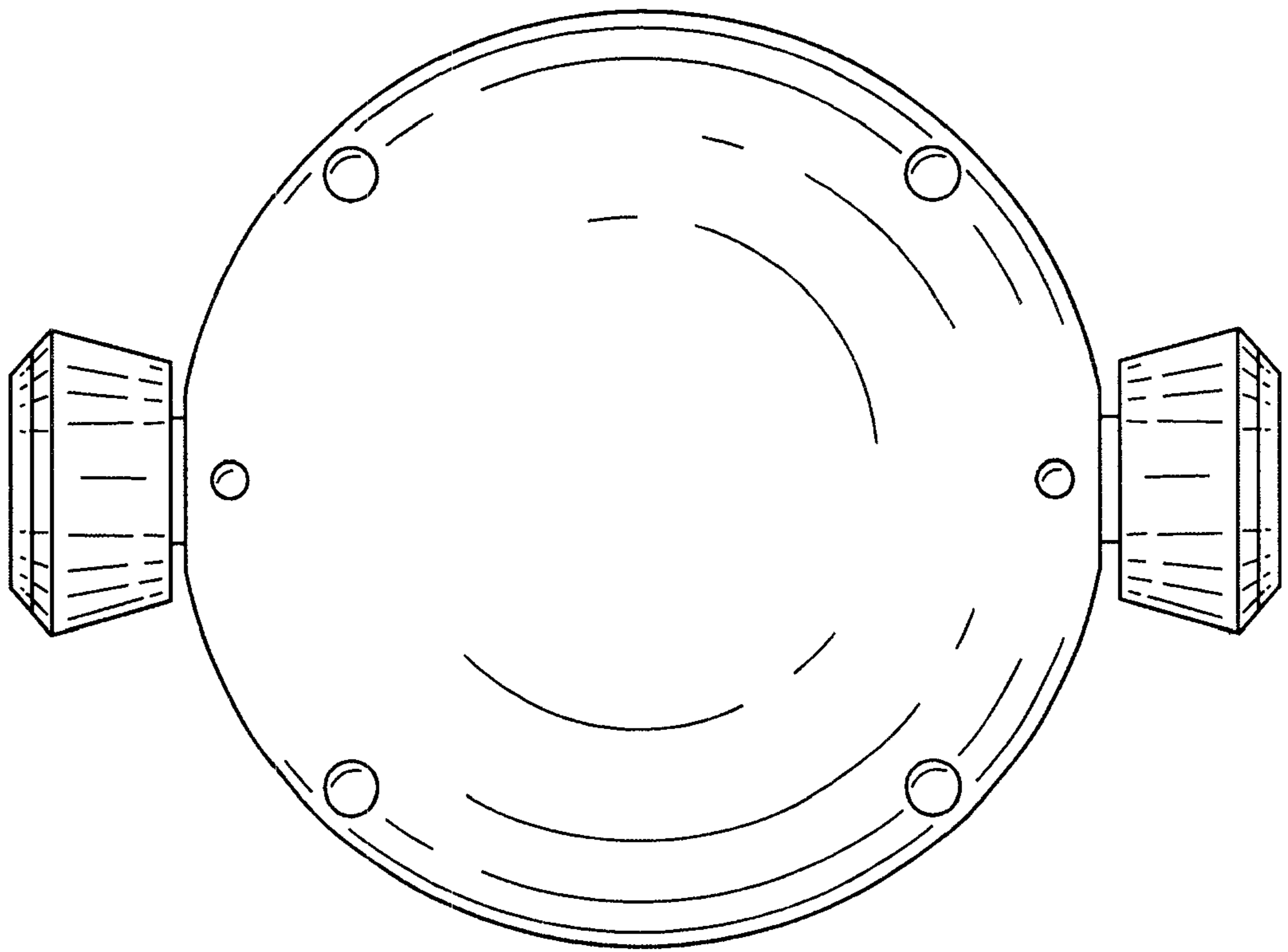


FIG. 3