



US00D452696B1

(12) **United States Design Patent**
Fenton

(10) **Patent No.:** **US D452,696 S**

(45) **Date of Patent:** **** Jan. 1, 2002**

(54) **ENCLOSURE FOR A DOME MONITOR CAMERA**

D433,953 S * 11/2000 Woznicki et al. D10/106

OTHER PUBLICATIONS

(75) Inventor: **William E. Fenton, Surrey (CA)**

Sony home page "Sony Security System Web" Jan. 11, 2001 (camera housing model SSC-CX61V).*

(73) Assignee: **Silent Witness Enterprises, Ltd., Surrey (CA)**

* cited by examiner

(**) Term: **14 Years**

Primary Examiner—Adir Aronovich

(21) Appl. No.: **29/143,335**

(74) *Attorney, Agent, or Firm*—Hall, Priddy, Myers & Vande Sande

(22) Filed: **Jun. 13, 2001**

(57) **CLAIM**

(51) **LOC (7) Cl.** **16-01**

The ornamental design for an enclosure for a dome monitor camera, as shown.

(52) **U.S. Cl.** **D16/203**

(58) **Field of Search** D10/104, 106;
D16/200–205, 208, 219; 348/373–376,
143; 396/427, 535–541

DESCRIPTION

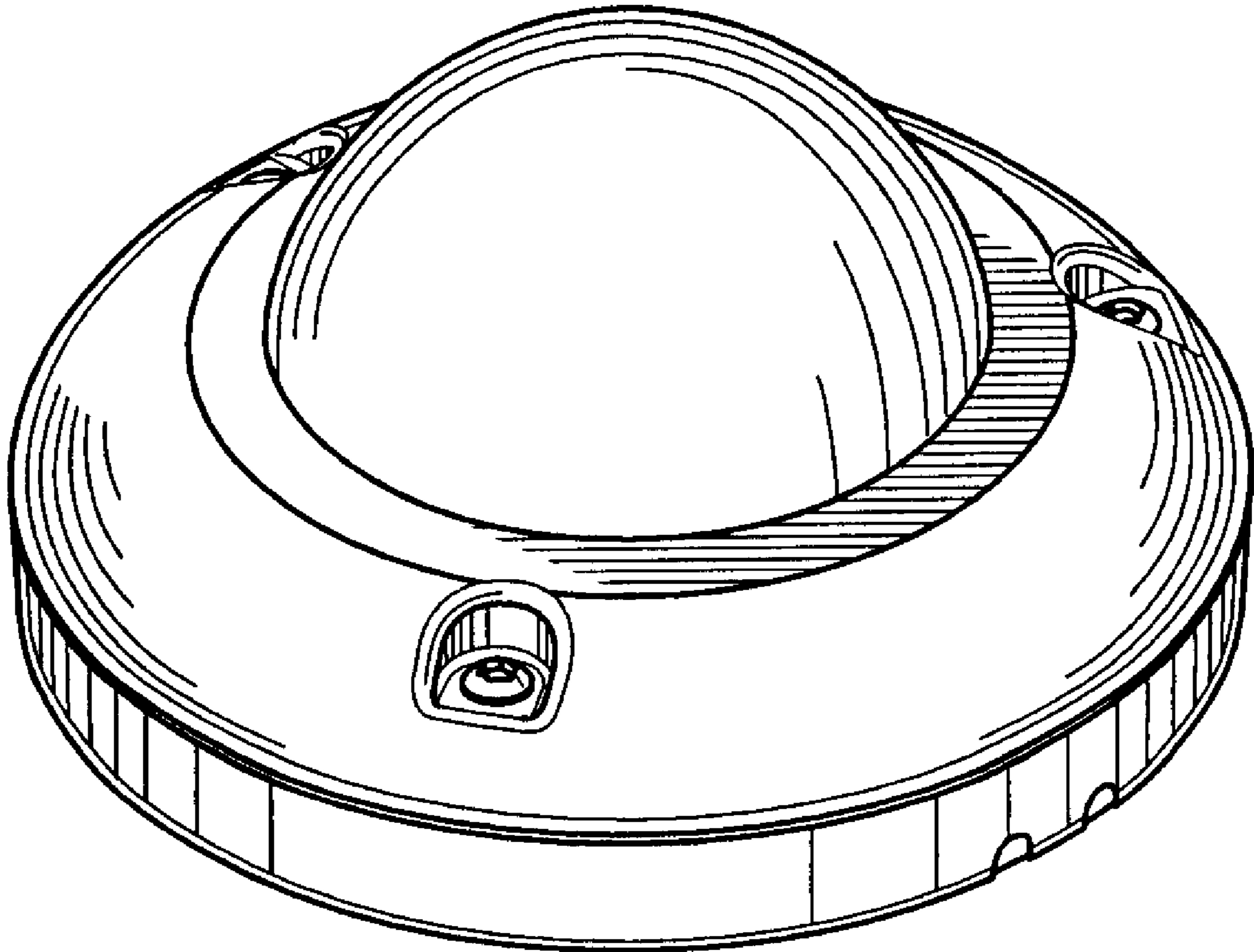
(56) **References Cited**

FIG. 1 is a front perspective of an enclosure for a dome monitor camera showing my new design; FIG. 2 is a top view of the design; FIG. 3 is a bottom view of the design; FIG. 4 is a left view of the design; FIG. 5 is a right side view of the design; FIG. 6 is a back view of the design; and, FIG. 7 is a front view of the design.

U.S. PATENT DOCUMENTS

D374,189 S	*	10/1996	Hubben	D10/106
5,689,304 A	*	11/1997	Jones et al.	348/373
D391,184 S	*	2/1998	Kawabata	D10/106
D412,924 S	*	8/1999	Hiraguchi	D16/219
D416,273 S	*	11/1999	Yamakawa et al.	D16/203

1 Claim, 3 Drawing Sheets



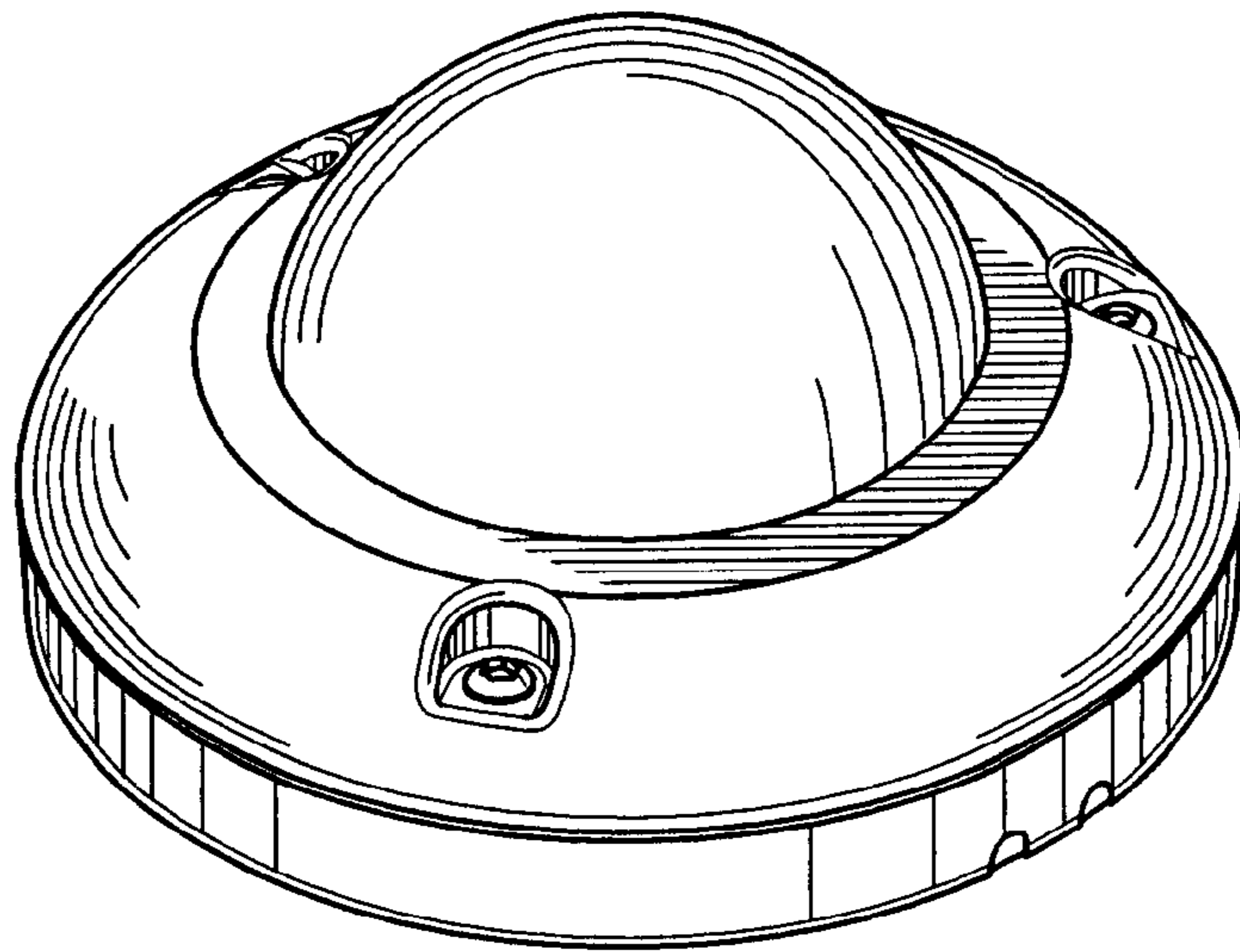


FIG. 1

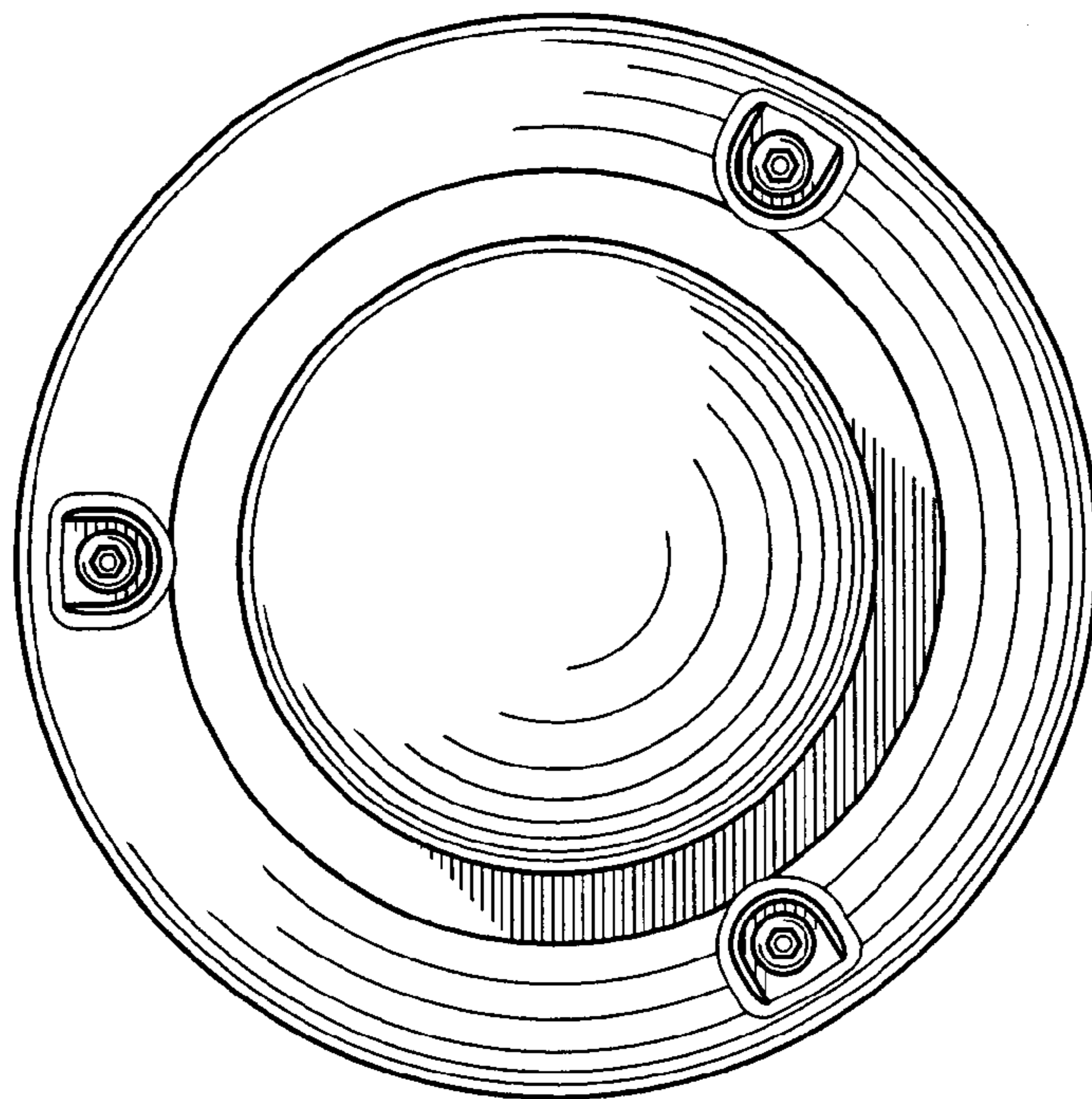


FIG. 2

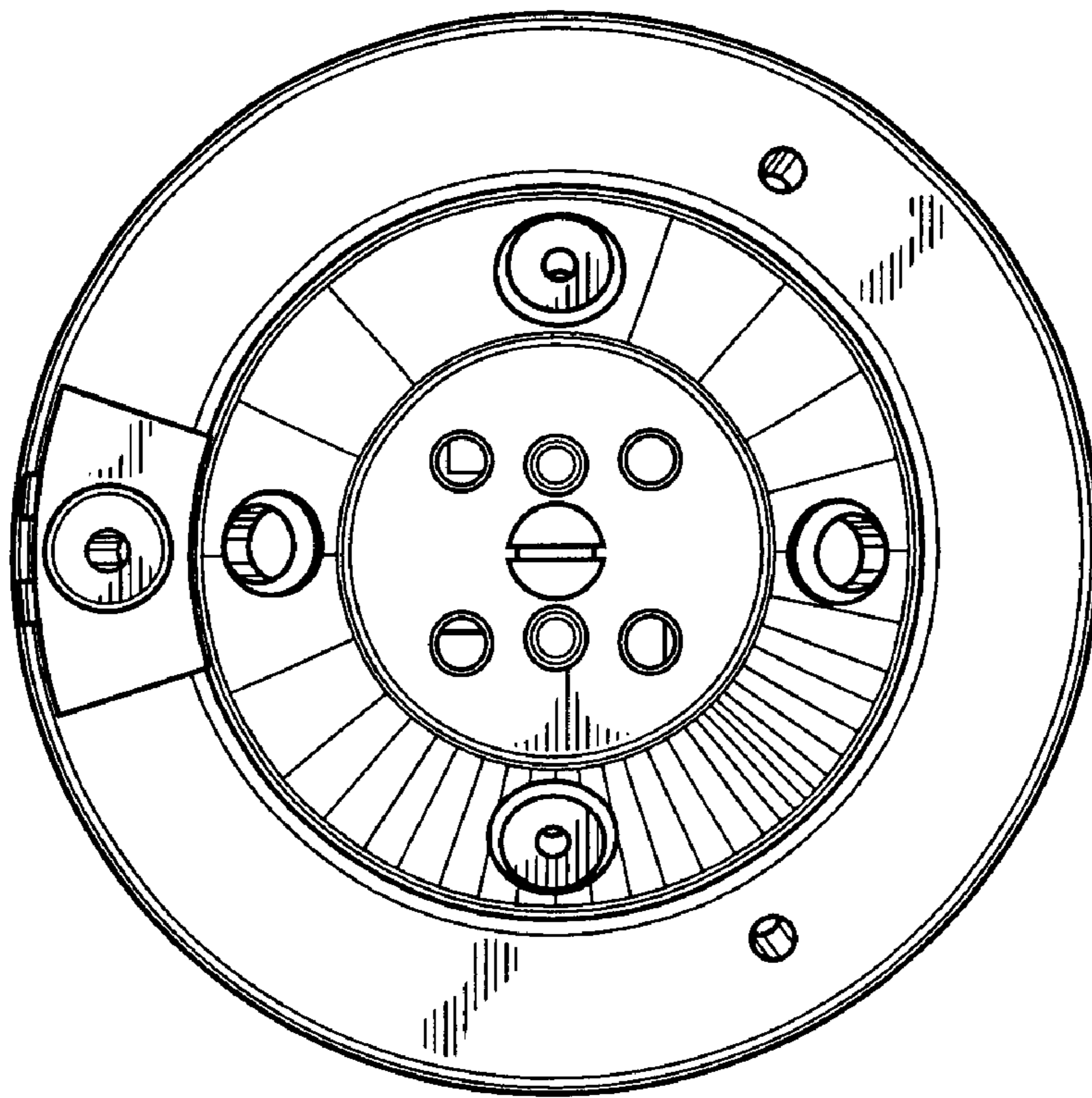


FIG. 3

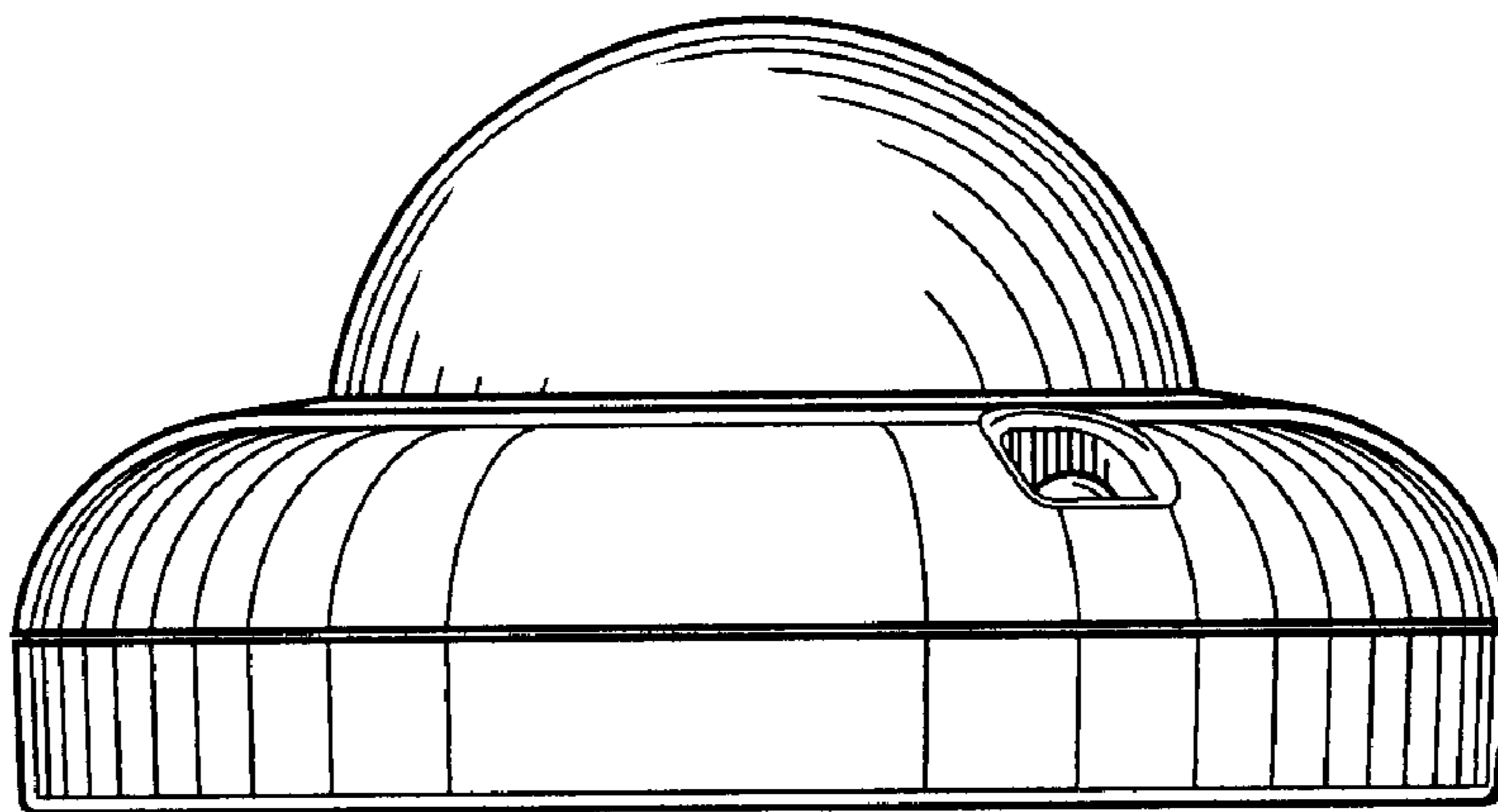


FIG. 4

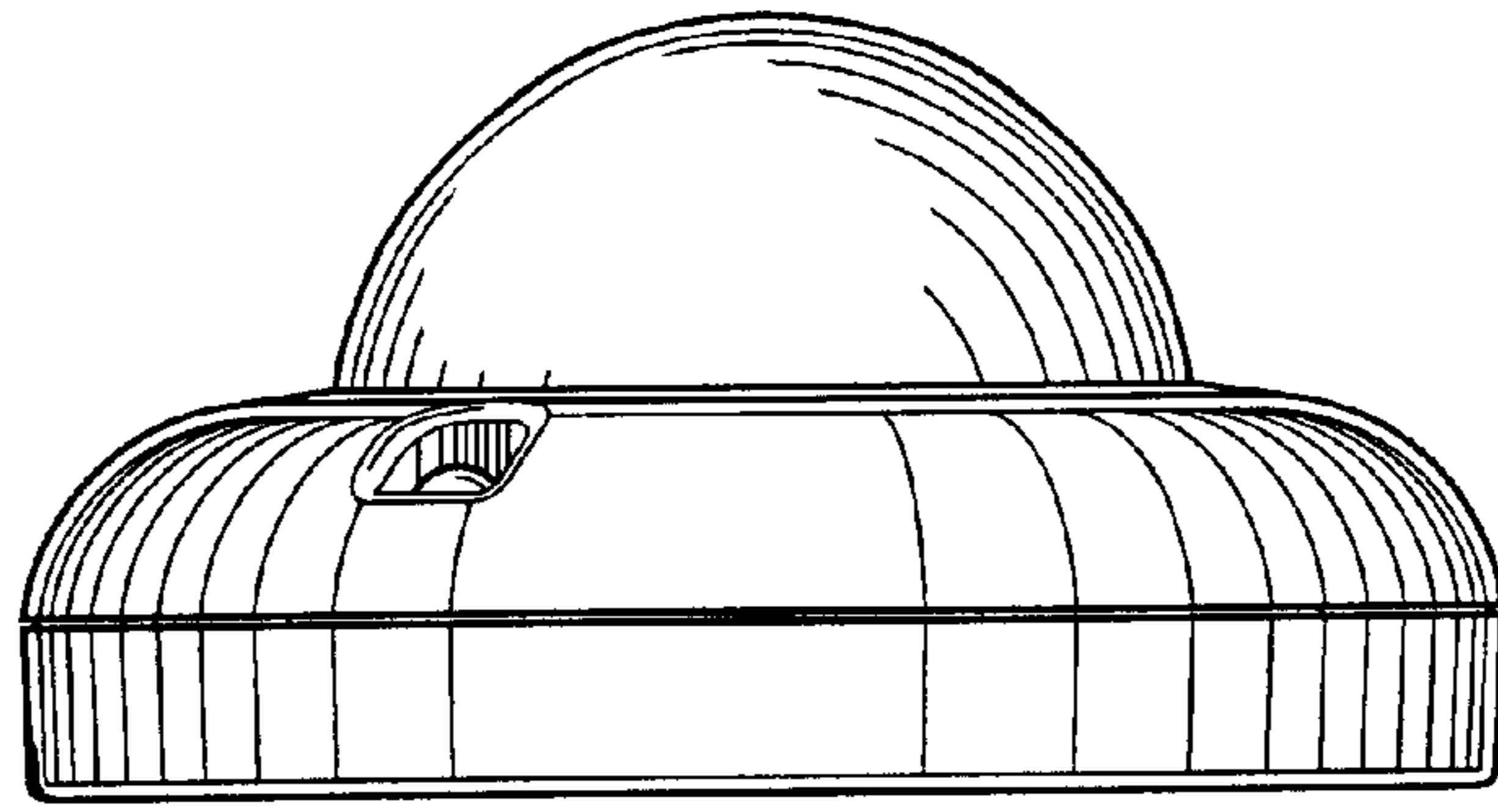


FIG. 5

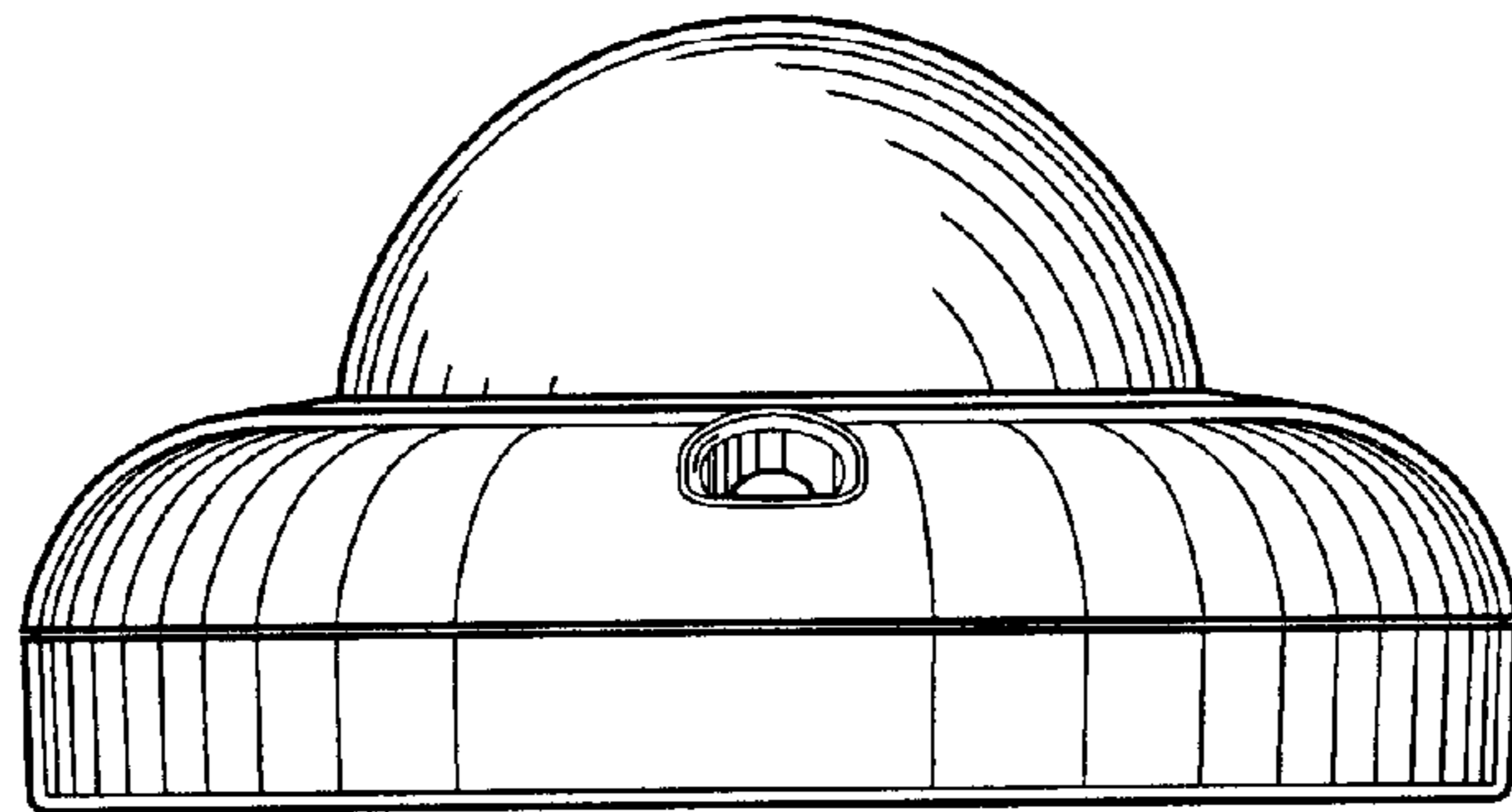


FIG. 6

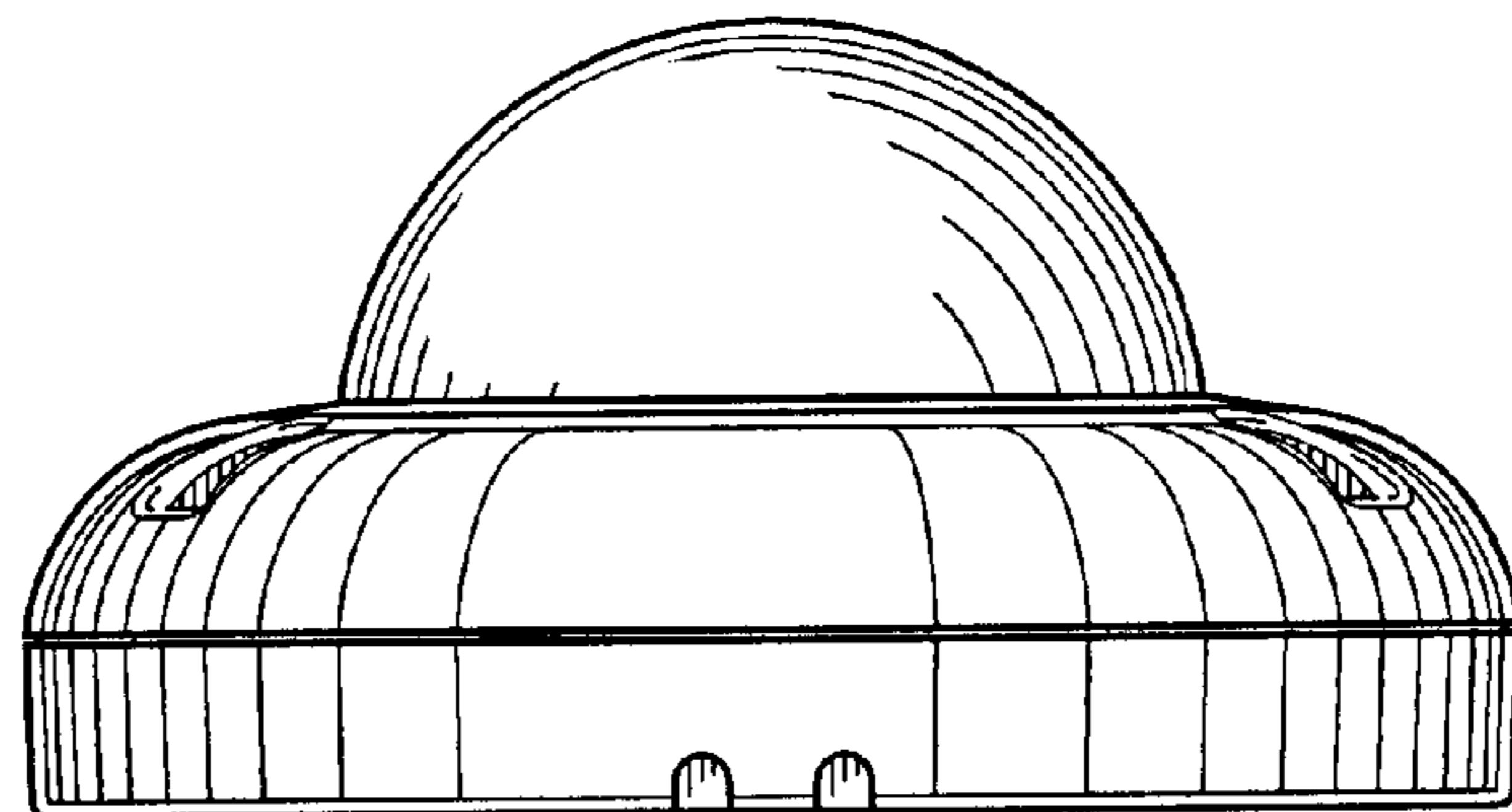


FIG. 7