



US00D452689B1

(12) **United States Design Patent**
Tani

(10) **Patent No.:** **US D452,689 S**

(45) **Date of Patent:** **** Jan. 1, 2002**

(54) **LIQUID CRYSTAL DISPLAY MODULE**

D363,709 S * 10/1995 Matsumoto D14/374
D364,153 S * 11/1995 Umaba et al. D14/374

(75) Inventor: **Shinichi Tani**, Nara-ken (JP)

* cited by examiner

(73) Assignee: **Sharp Kabushiki Kaisha**, Osaka (JP)

Primary Examiner—Freda Nunn

(**) Term: **14 Years**

(74) *Attorney, Agent, or Firm*—Nixon & Vanderhye P.C.

(21) Appl. No.: **29/134,254**

(57) **CLAIM**

(22) Filed: **Dec. 19, 2000**

The ornamental design for a liquid crystal display module, as shown and described.

(51) **LOC (7) Cl.** **14-02**

DESCRIPTION

(52) **U.S. Cl.** **D14/374**

FIG. 1 is a front, bottom and right side perspective view of a liquid crystal display module according to my design; FIG. 2 is a front elevational view thereof; FIG. 3 is a rear elevational view thereof; FIG. 4 is a bottom plan view thereof; FIG. 5 is a top plan view thereof; FIG. 6 is a right side elevational view thereof, the left side being a mirror image thereof; and, FIG. 7 is a rear, bottom and left side perspective view thereof.

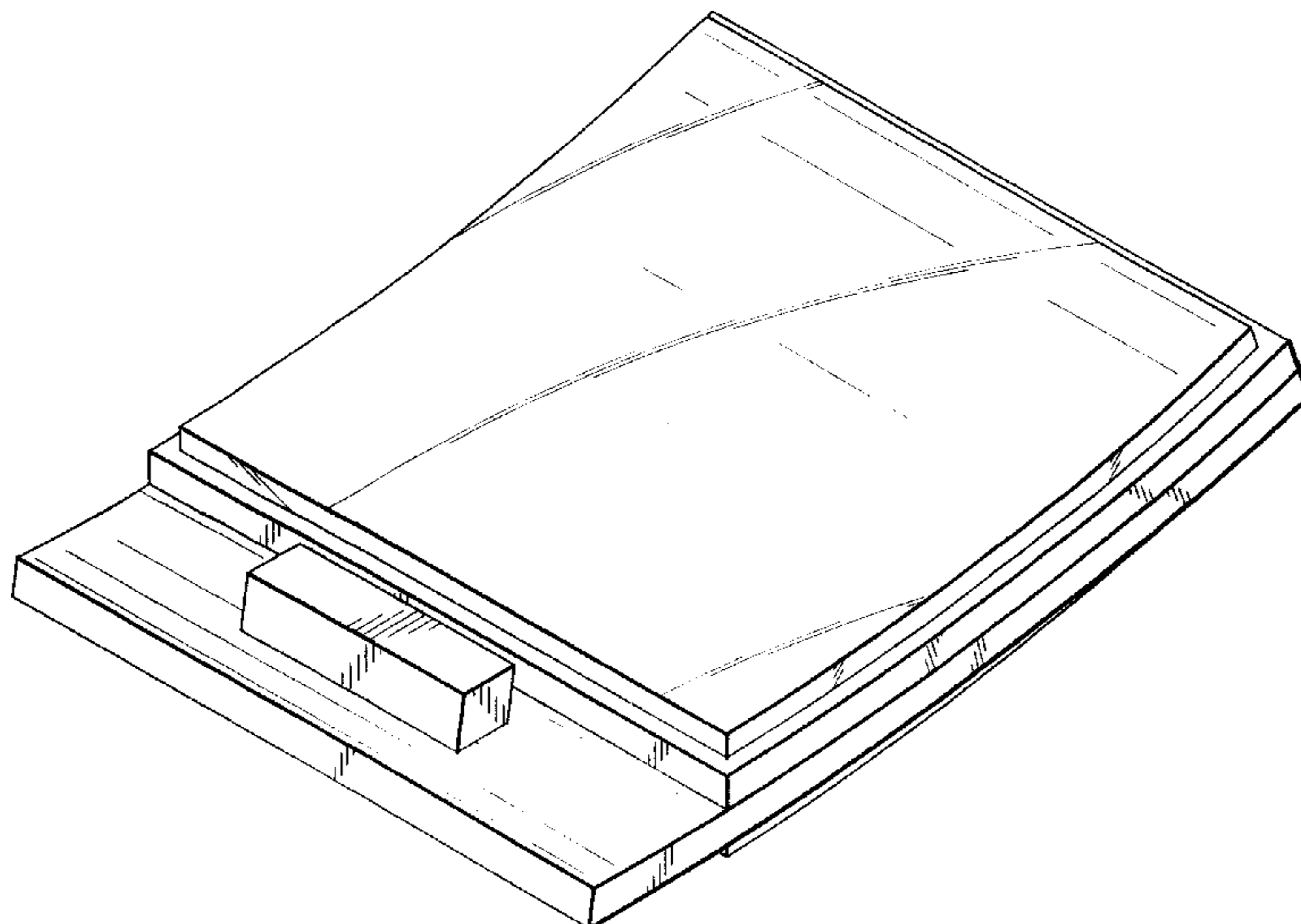
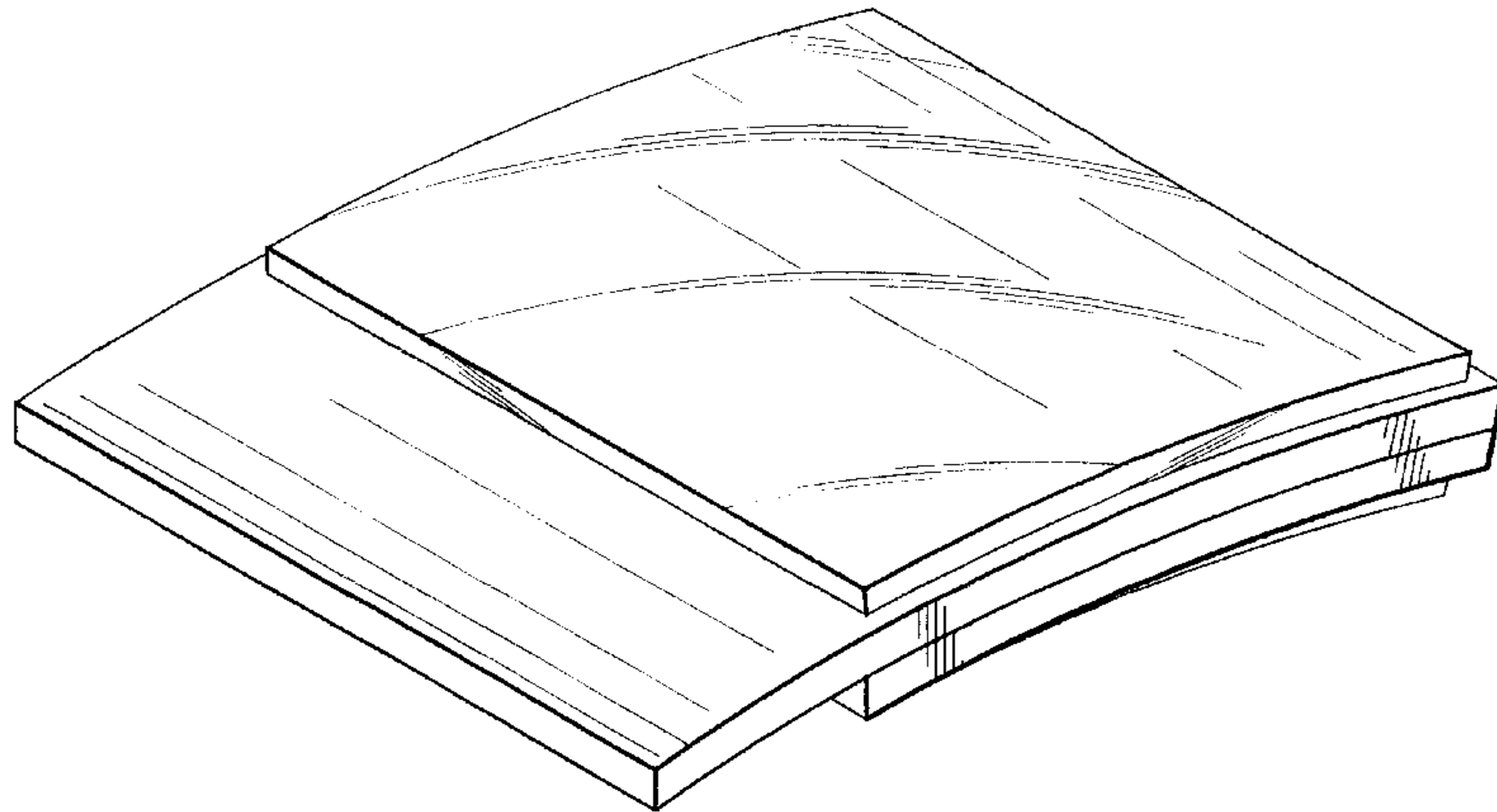
(58) **Field of Search** D14/371, 373, D14/374, 125-128, 140, 130; 345/104, 156, 168, 173, 87; 348/180, 184, 325, 739; 248/917-924; 341/12; 349/1, 2, 11, 62

(56) **References Cited**

U.S. PATENT DOCUMENTS

4,632,529 A * 12/1986 Levin 353/122
D357,912 S * 5/1995 Martin D14/130
D363,476 S * 10/1995 Oyama et al. D14/374

1 Claim, 6 Drawing Sheets



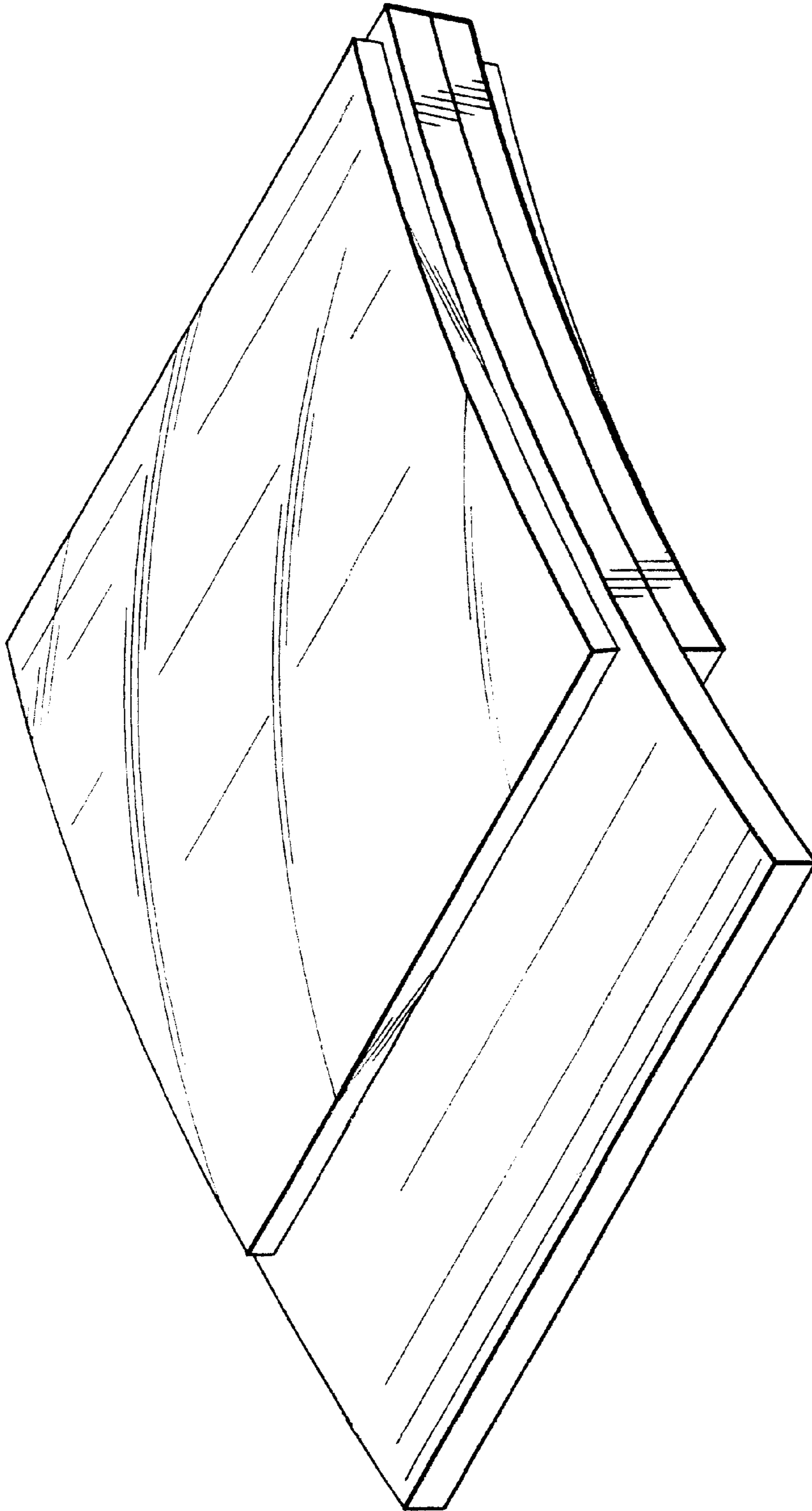


Fig.1

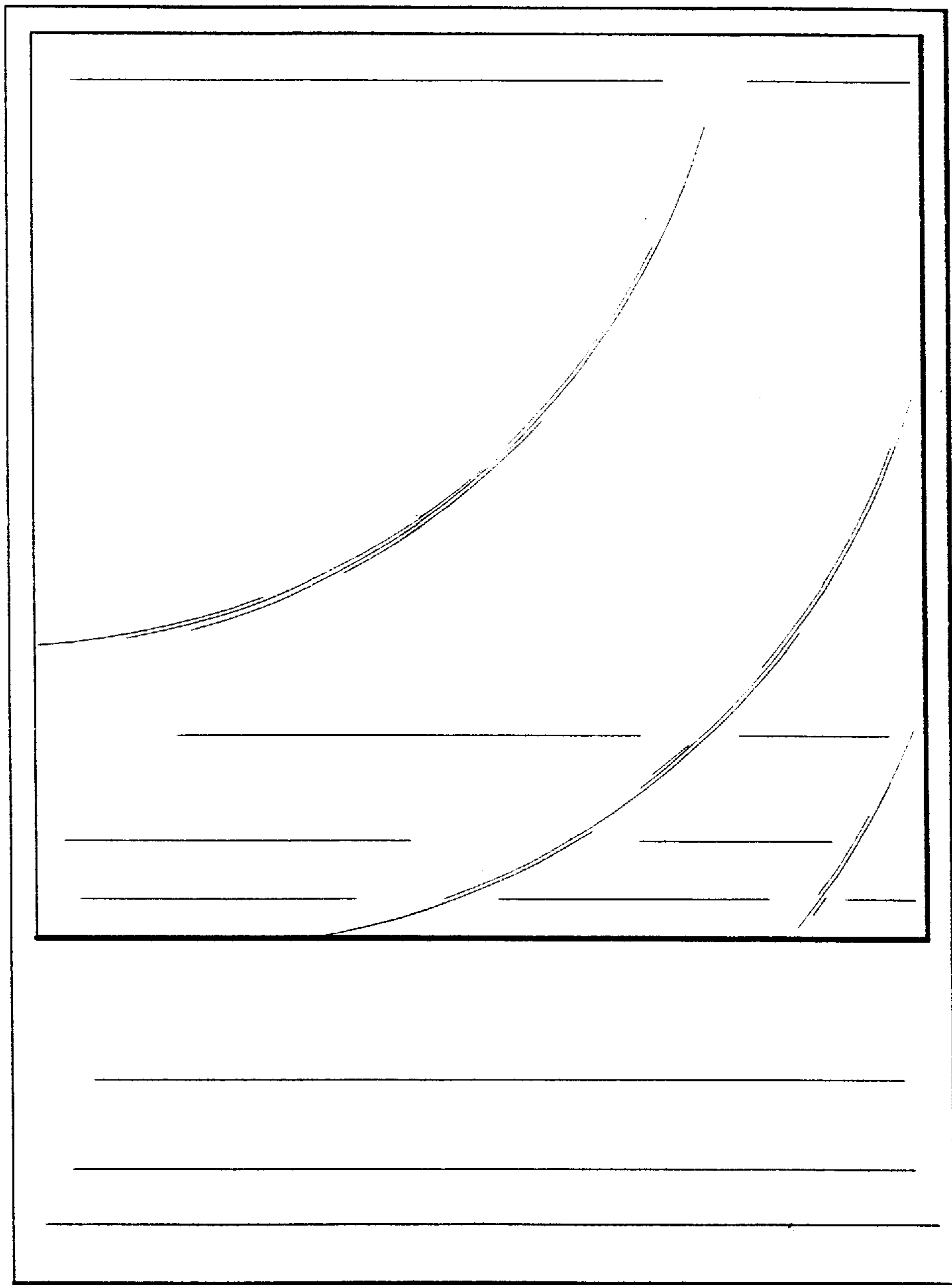


Fig.2

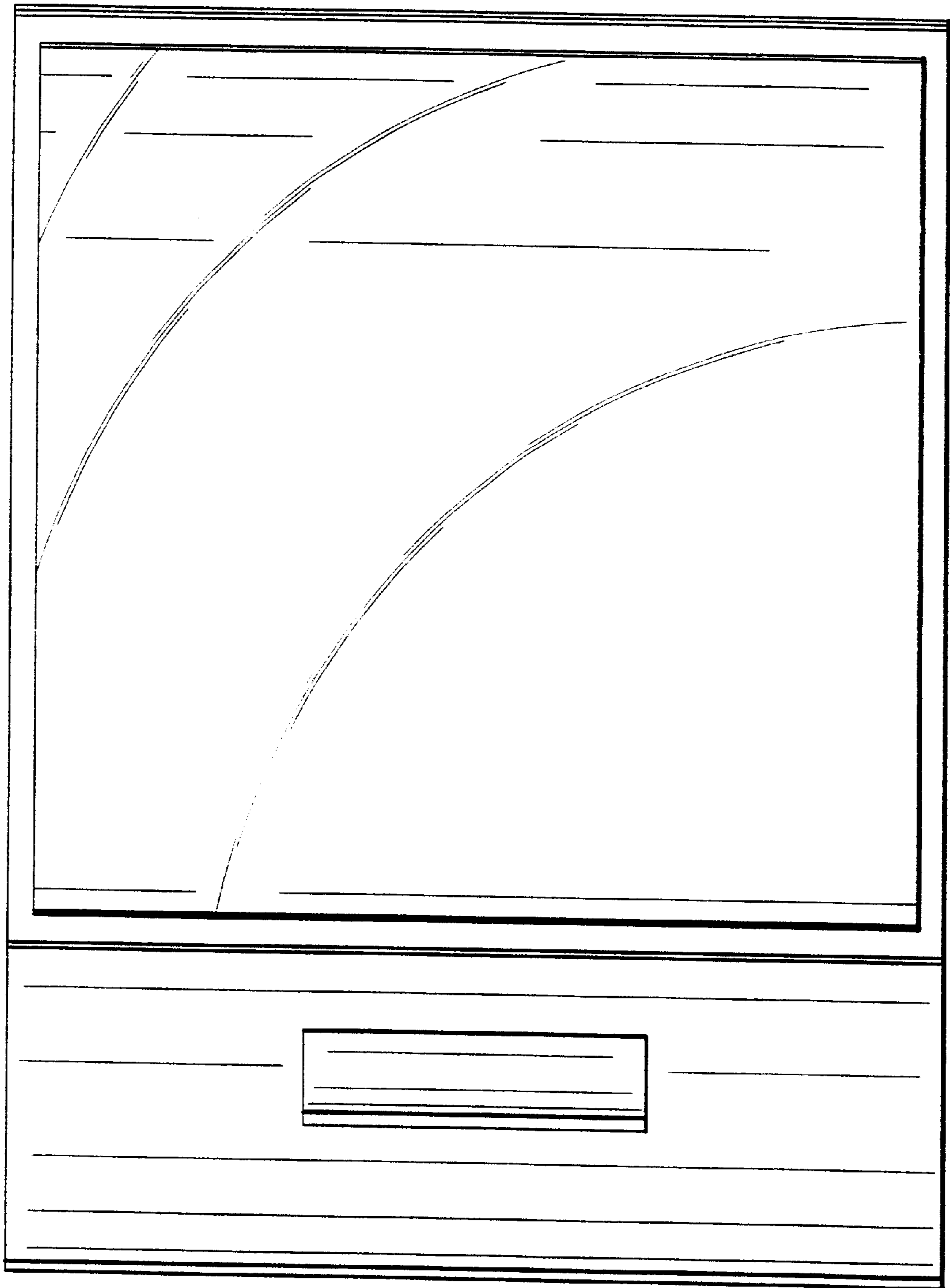


Fig.3

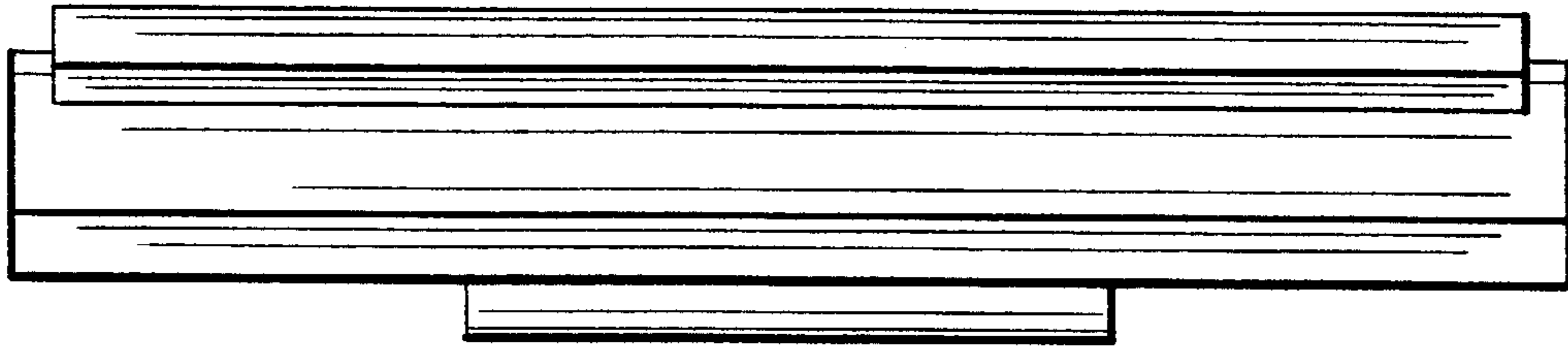


Fig.4



Fig.5

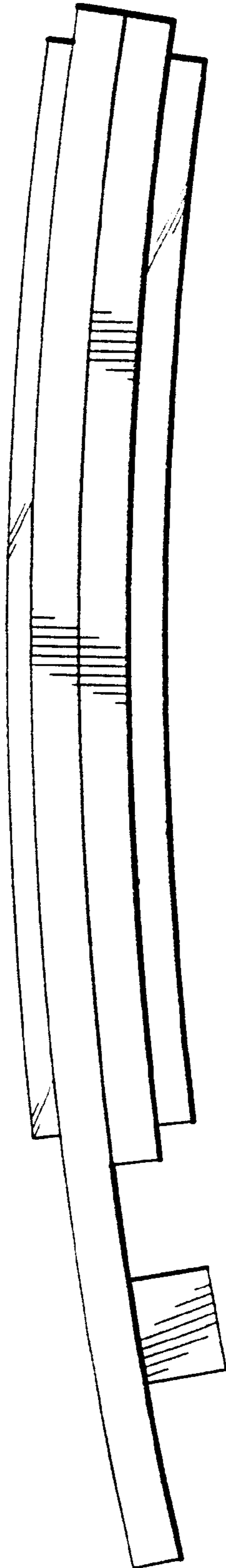


Fig.6

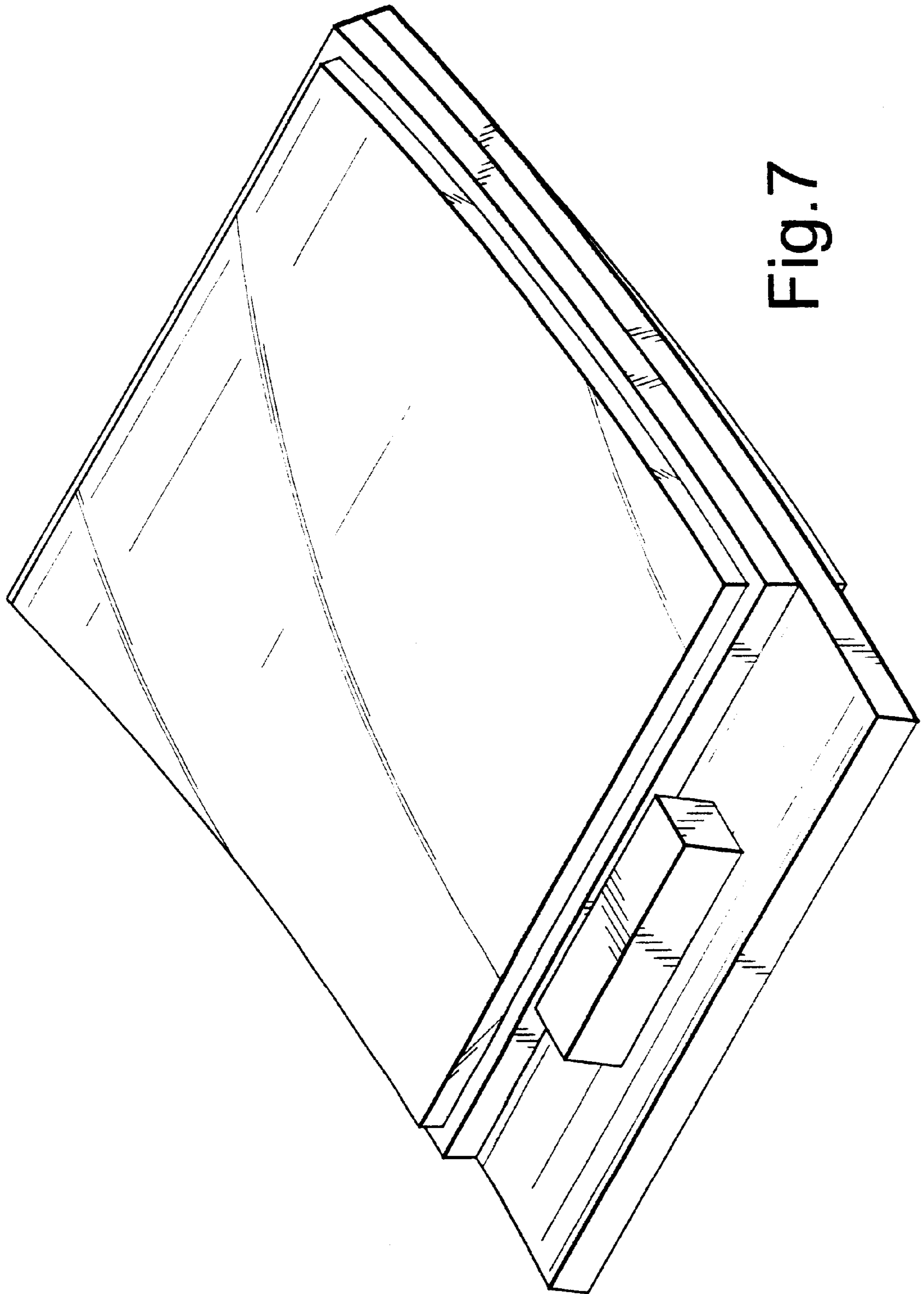


Fig. 7