



US00D452684B1

(12) **United States Design Patent**
Sedan et al.

(10) **Patent No.:** **US D452,684 S**

(45) **Date of Patent:** **** Jan. 1, 2002**

(54) **RADIO TRANSCEIVER**

(75) Inventors: **Gary Robert Sedan**, Rolling Meadows;
Aimee Jo Volanski, Chicago, both of
IL (US); **Daniel Aaron Phipps**, Round
Rock, TX (US); **Erin Marie Yeaton**,
Chicago, IL (US)

(73) Assignee: **Cobra Electronics Corporation**,
Chicago, IL (US)

(**) Term: **14 Years**

(21) Appl. No.: **29/113,700**

(22) Filed: **Nov. 9, 1999**

(Under 37 CFR 1.47)

(51) **LOC (7) Cl.** **14-03**

(52) **U.S. Cl.** **D14/137**

(58) **Field of Search** D14/137, 138,
D14/218, 147-148, 188, 192, 247-248,
159, 197, 144, 249, 155, 198, 341-347,
191; 379/433.434, 419, 420, 428, 440;
455/550-575, 90, 347, 350, 351

(56) **References Cited**

U.S. PATENT DOCUMENTS

D295,404 S	*	4/1988	Tokiyama	D14/137
5,263,195 A		11/1993	Panther et al.		
D371,781 S	*	7/1996	Nowak et al.	D14/137
5,631,635 A		5/1997	Robertson et al.		
5,689,807 A		11/1997	Wong et al.		
D387,758 S	*	12/1997	Oross et al.	D14/137
D389,827 S	*	1/1998	Oross et al.	D14/137
5,706,331 A		1/1998	Wang et al.		
5,708,422 A		1/1998	Blonder et al.		
5,712,624 A		1/1998	Ayerst et al.		
D395,433 S	*	6/1998	Kee	D14/192
D395,882 S	*	7/1998	Oross et al.	D14/137
D408,396 S	*	4/1999	Tyneski et al.	D14/137

5,898,904 A		4/1999	Wang		
D412,501 S	*	8/1999	Tyneski et al.	D14/137
D416,016 S	*	11/1999	Hughes et al.	D14/147
D416,252 S	*	11/1999	Haase et al.	D14/137
D416,893 S	*	11/1999	Tyneski et al.	D14/137
D421,261 S	*	2/2000	Heuel	D14/191
D421,435 S	*	3/2000	Haase et al.	D14/137
D422,585 S	*	4/2000	Ng et al.	D14/137
D428,866 S	*	8/2000	You	D14/137
D429,708 S	*	8/2000	Kodera et al.	D14/138
D430,126 S	*	8/2000	Lee	D14/137
D433,001 S	*	10/2000	Haase et al.	D14/137
D433,395 S	*	11/2000	Wong	D14/137
D433,396 S	*	11/2000	Wong	D14/137
D434,017 S	*	11/2000	Warren et al.	D14/138
D434,401 S	*	11/2000	Haase et al.	D14/137

OTHER PUBLICATIONS

Advertising for Motorola Two-way Radios—2000, No date given.

Advertising for Cherokee Waterproof/Vibrating Two Way Radio, No date given.

* cited by examiner

Primary Examiner—Jeffrey Asch

(74) *Attorney, Agent, or Firm*—Wallenstein & Wagner, Ltd.

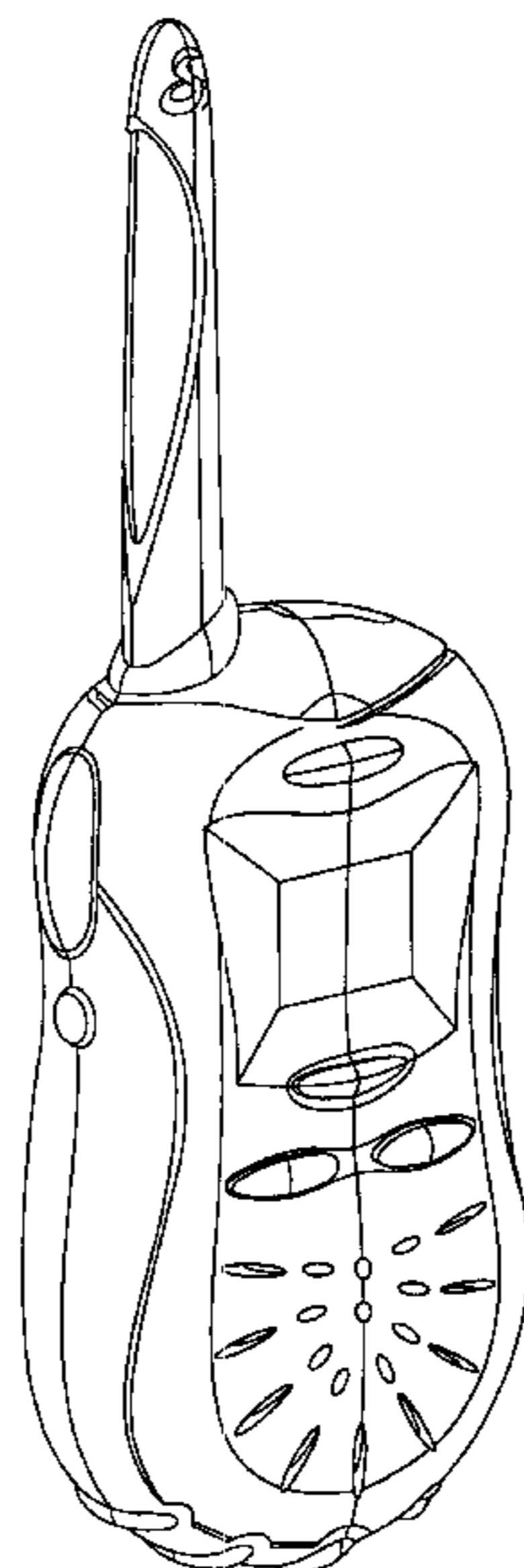
(57) **CLAIM**

The ornamental design for a radio transceiver, as shown and described.

DESCRIPTION

FIG. 1 is a front view of a radio transceiver;
FIG. 2 is a side view of the radio transceiver;
FIG. 3 is a side view of the radio transceiver;
FIG. 4 is a top view of the radio transceiver;
FIG. 5 is a bottom view of the radio transceiver;
FIG. 6 is a perspective view of the radio transceiver; and,
FIG. 7 is a perspective view of the radio transceiver.

1 Claim, 3 Drawing Sheets



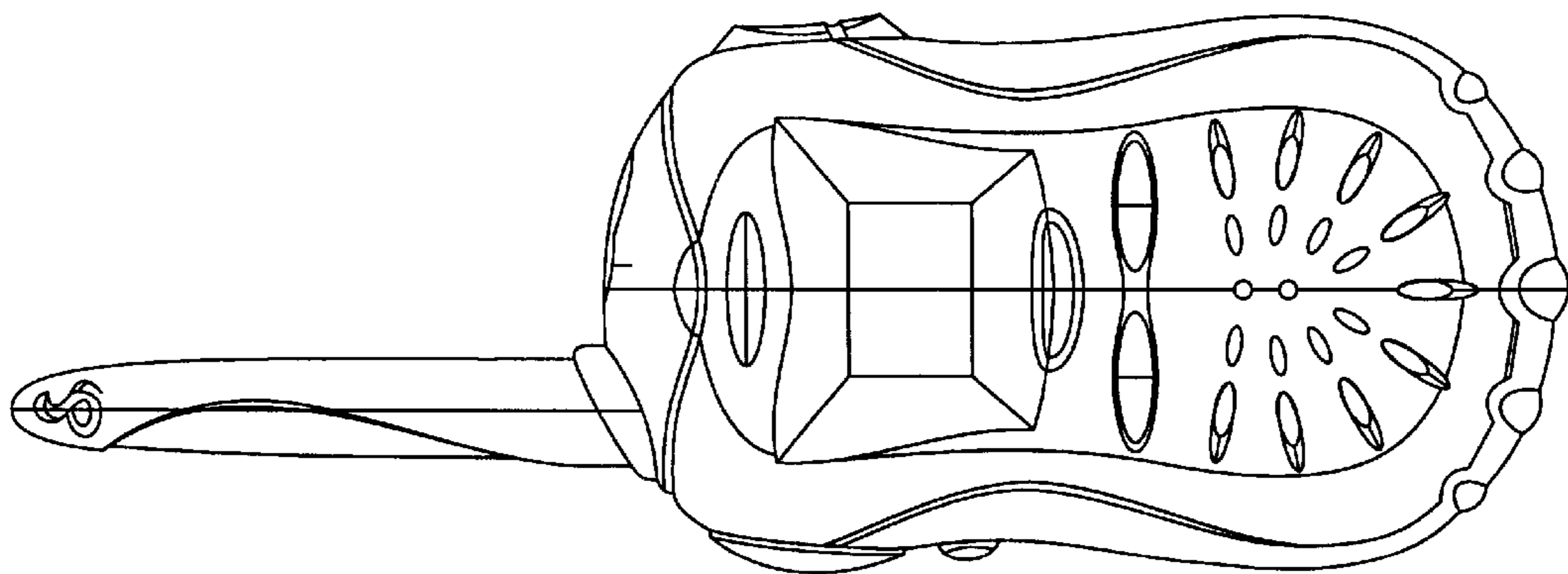


FIG. 1

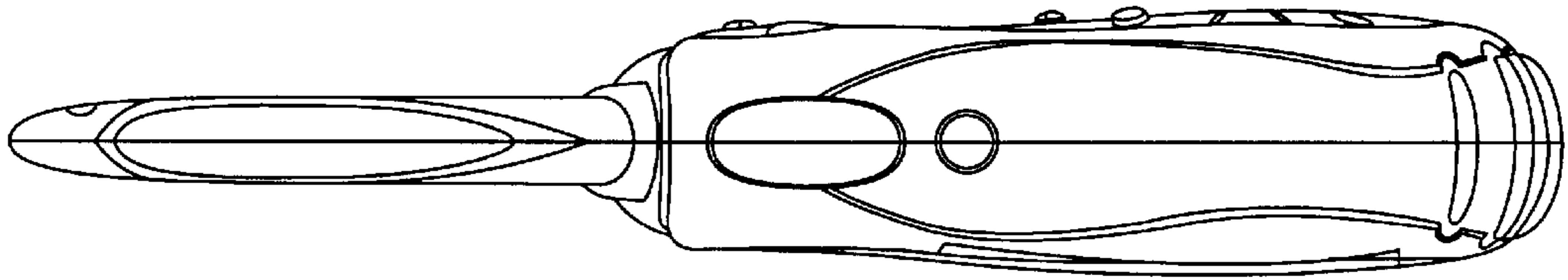


FIG. 2

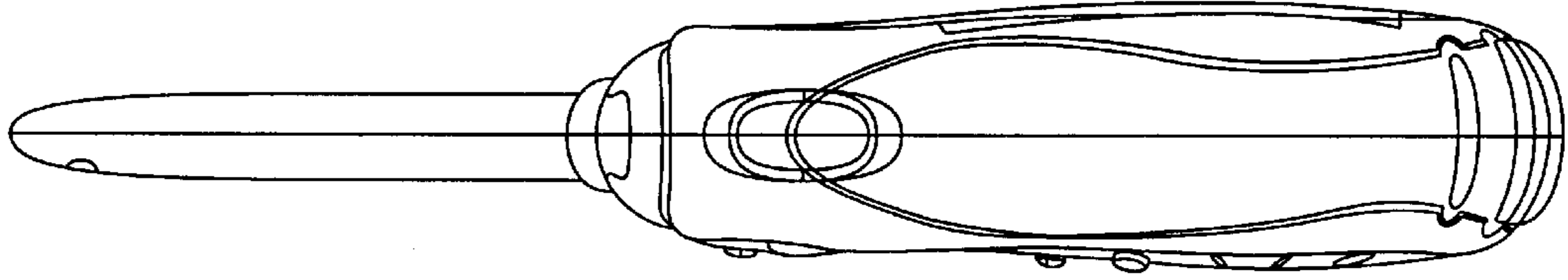


FIG. 3

FIG. 4

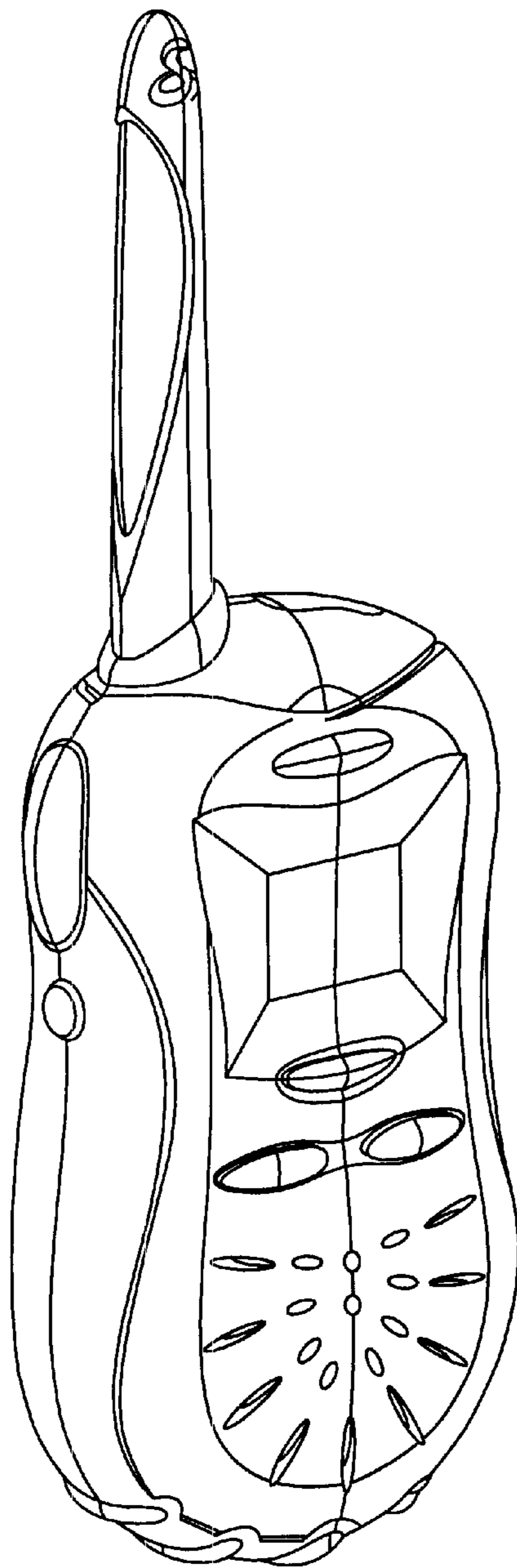
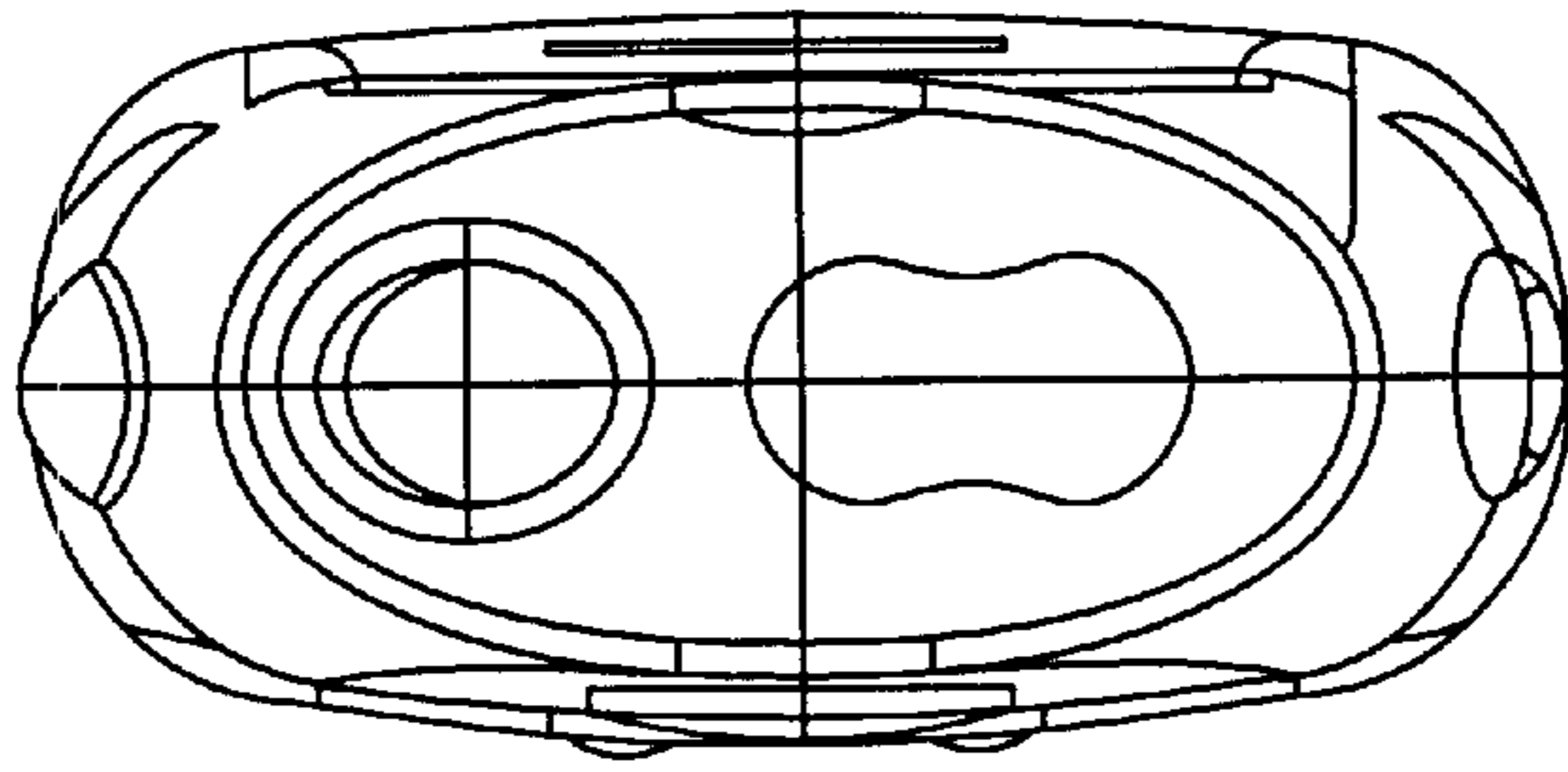


FIG. 6

FIG. 5

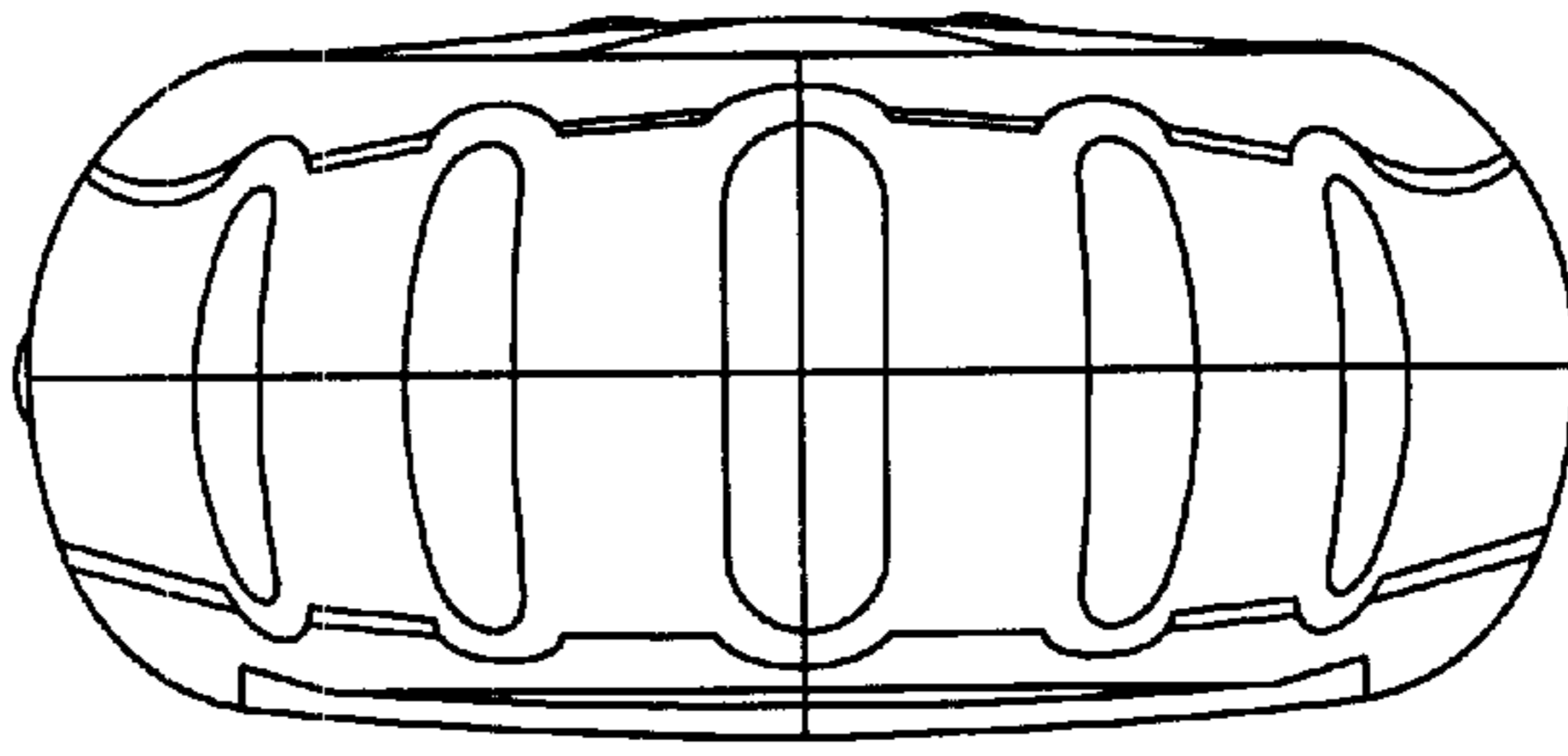


FIG. 7

