



US00D452682B1

(12) **United States Design Patent**
Inoue

(10) **Patent No.:** **US D452,682 S**

(45) **Date of Patent:** **** *Jan. 1, 2002**

(54) **DISTRIBUTOR FOR TELEVISION SIGNAL**

(75) **Inventor:** **Shigemi Inoue, Kobe (JP)**

(73) **Assignee:** **DX Antenna Co., Ltd., Hyogo (JP)**

(*) **Notice:** This patent is subject to a terminal disclaimer.

(**) **Term:** **14 Years**

(21) **Appl. No.:** **29/114,907**

(22) **Filed:** **Dec. 6, 1999**

(30) **Foreign Application Priority Data**

Jul. 9, 1999 (JP) 11-18374

(51) **LOC (7) Cl.** **13-03**

(52) **U.S. Cl.** **D13/151**

(58) **Field of Search** D13/146, 147,
D13/151; D14/217, 230, 299; 439/578;
333/100; 174/52.1, 59, 65 R

(56) **References Cited**

U.S. PATENT DOCUMENTS

- D301,241 S * 5/1989 Chino D13/147 X
- D301,242 S * 5/1989 Chino D13/146 X
- D301,243 S * 5/1989 Chino D13/146 X

- D396,691 S * 8/1998 Shen D13/147
- D404,713 S * 1/1999 Hsiang D13/147
- D409,985 S * 5/1999 Hsiang D13/151

* cited by examiner

Primary Examiner—Joel Sincavage

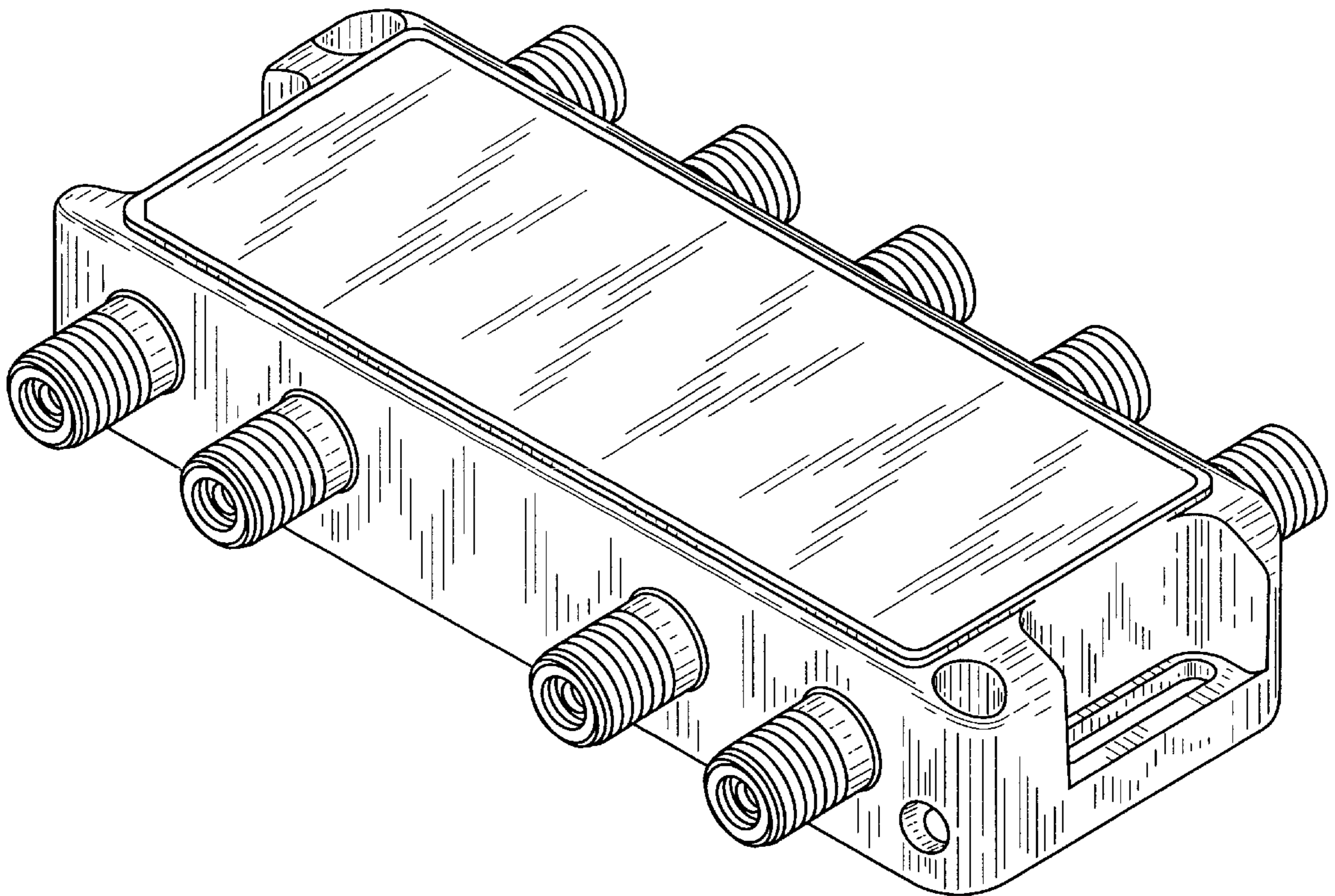
(57) **CLAIM**

I claim the ornamental design of a distributor for television signal, as shown and described.

DESCRIPTION

FIG. 1 is a top plan view of a distributor for television signal of my new design;
 FIG. 2 is a front, elevational view of the distributor for television signal of FIG. 1;
 FIG. 3 is a right side, elevational view of the distributor for television signal of FIG. 1;
 FIG. 4 is a left side elevational view of the distributor for television signal of FIG. 1;
 FIG. 5 is a back, elevational view of the distributor for television signal of FIG. 1;
 FIG. 6 is a bottom, plan view of the distributor for television signal of FIG. 1; and,
 FIG. 7 is a front, perspective view of the distributor for television signal of FIG. 1.

1 Claim, 4 Drawing Sheets



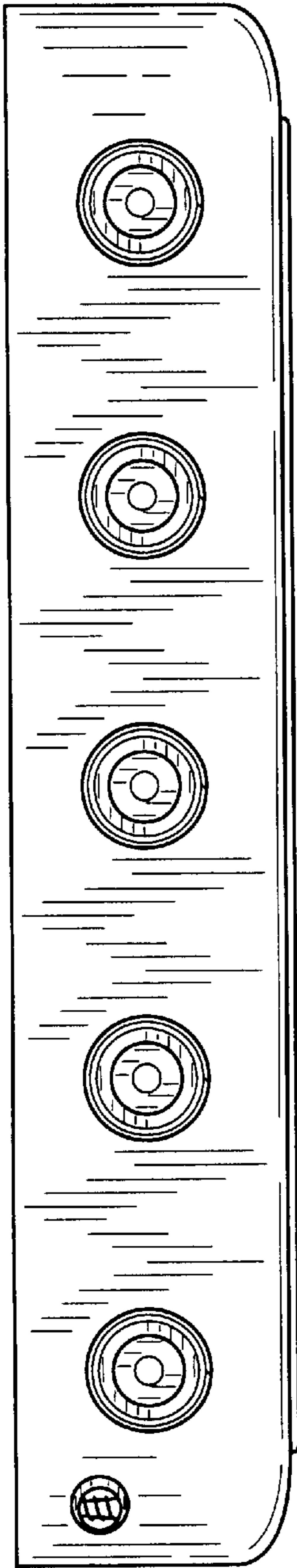


FIG. 1

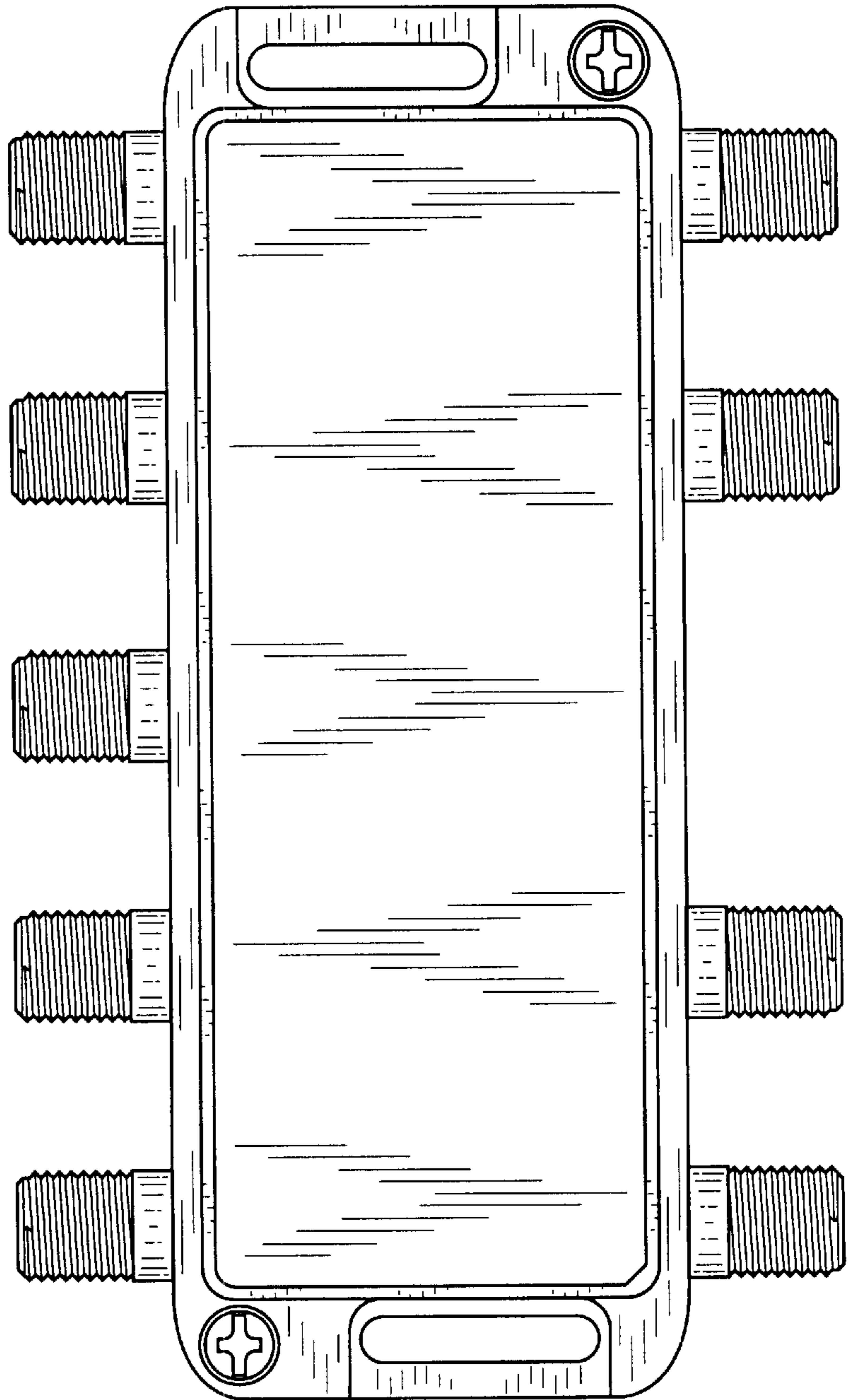


FIG. 2

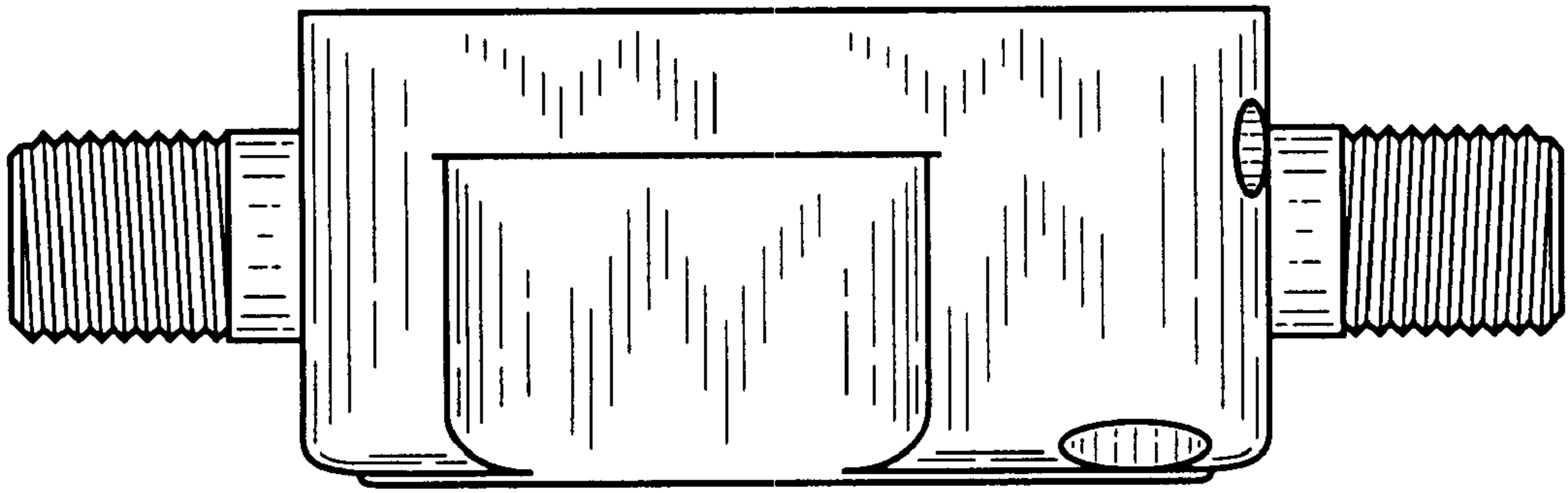


FIG. 3

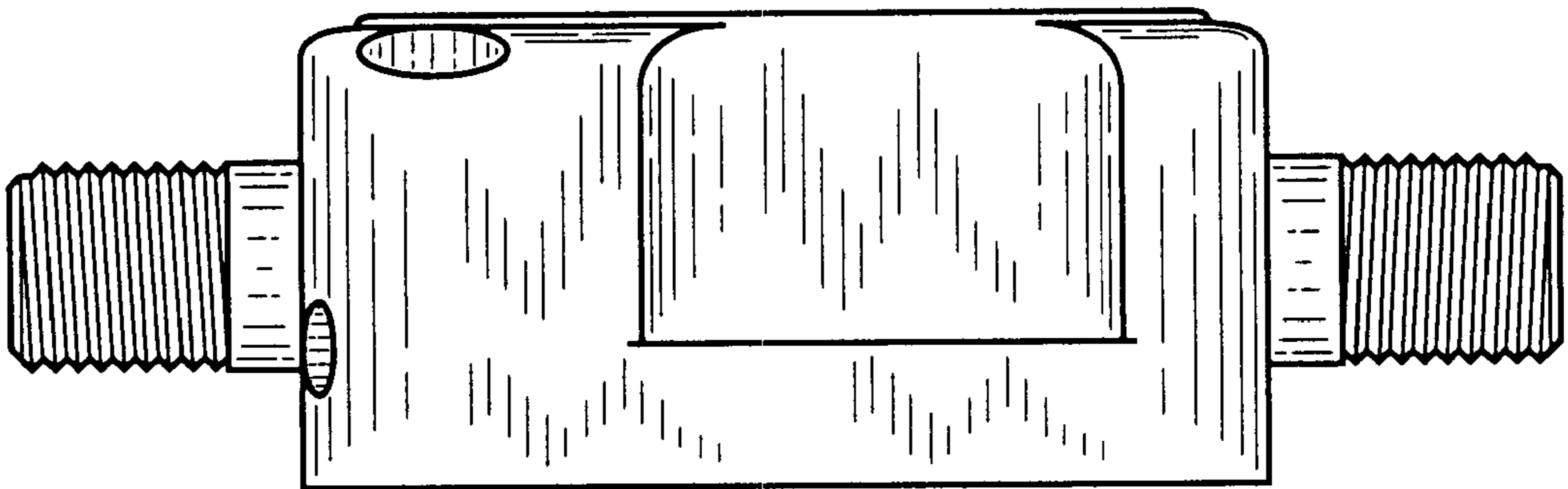


FIG. 4

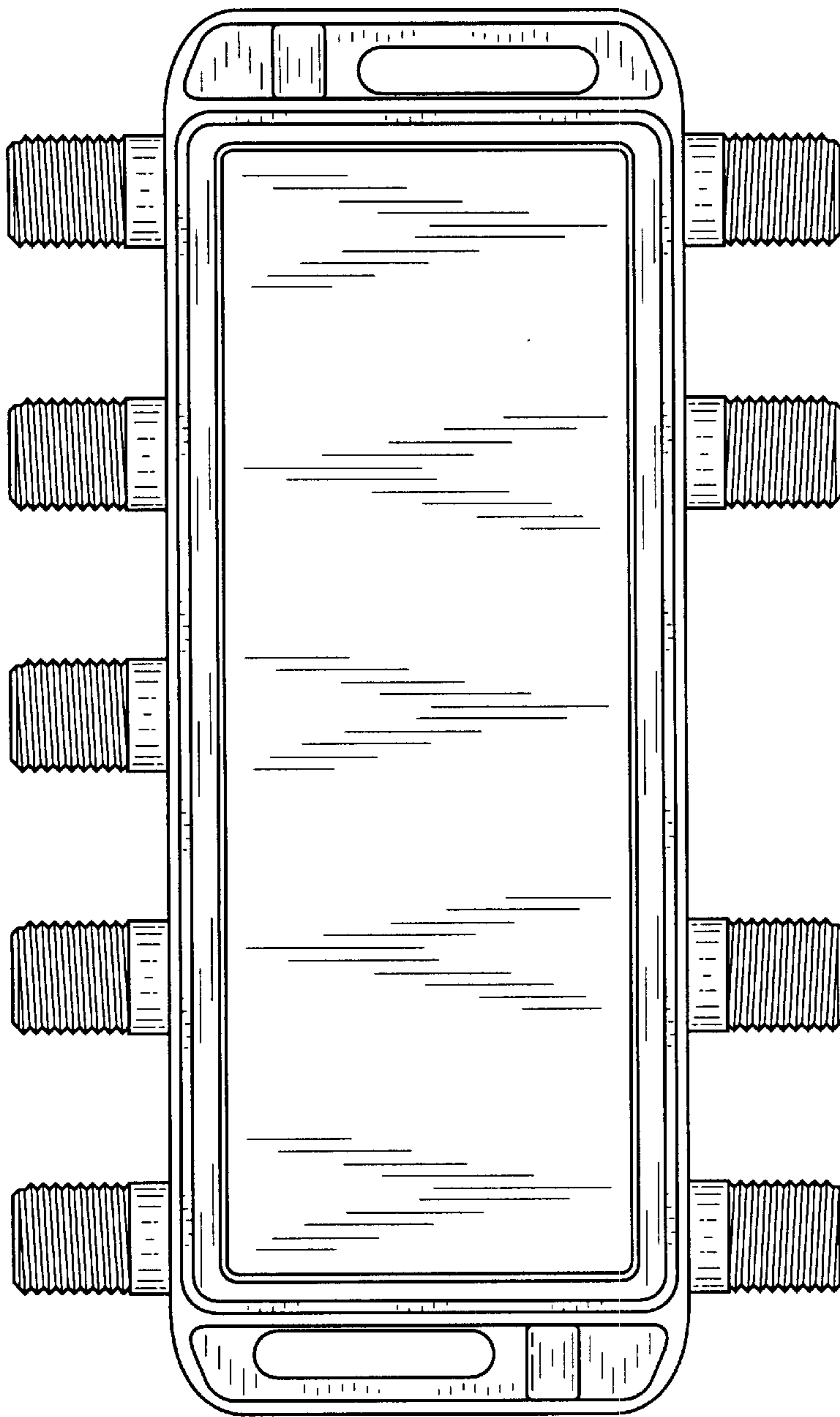


FIG. 5

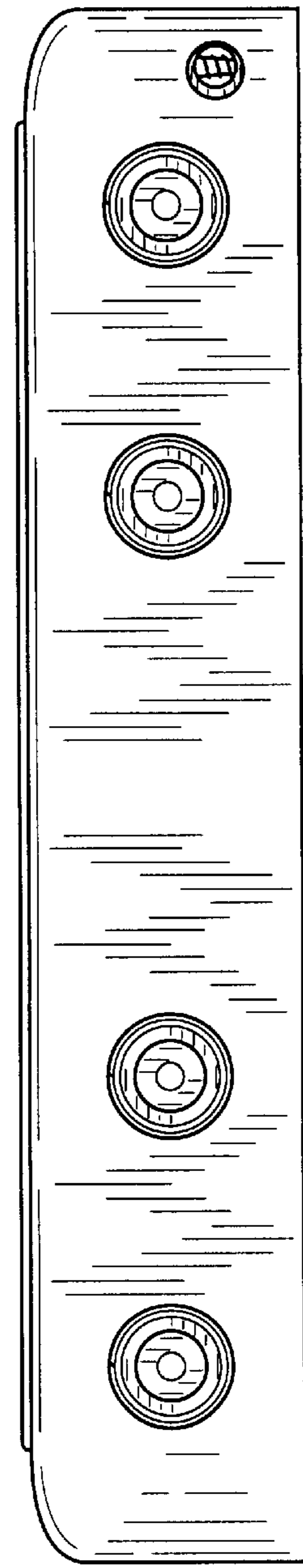


FIG. 6

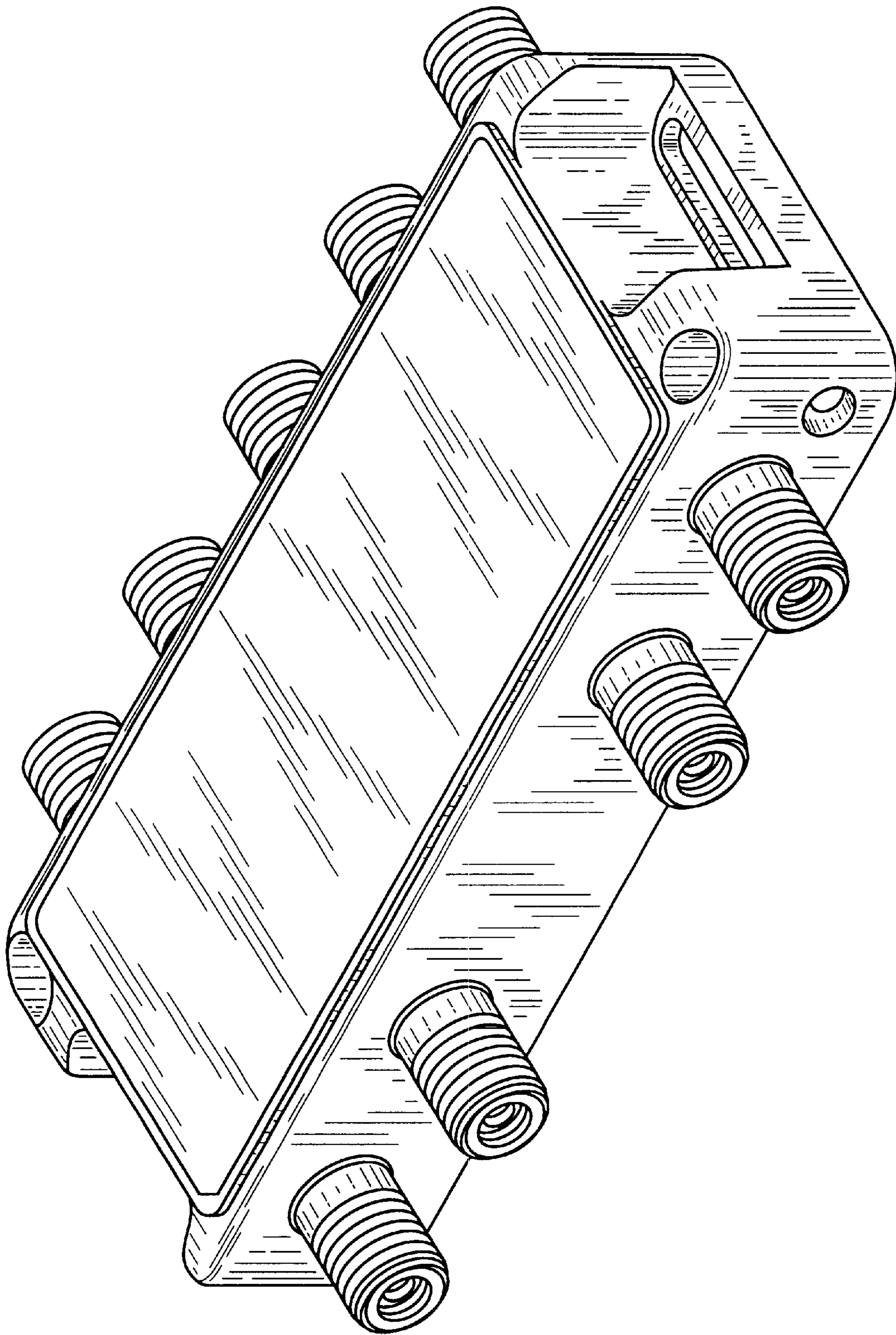


FIG. 7