



US00D452681B1

(12) **United States Design Patent**  
**Inoue**

(10) **Patent No.:** **US D452,681 S**

(45) **Date of Patent:** **\*\* \*Jan. 1, 2002**

(54) **DISTRIBUTOR FOR TELEVISION SIGNAL**

(75) **Inventor:** **Shigemi Inoue, Hyogo (JP)**

(73) **Assignee:** **DX Antenna Co., Ltd., Hyogo (JP)**

(\*) **Notice:** This patent is subject to a terminal disclaimer.

(\*\*) **Term:** **14 Years**

(21) **Appl. No.:** **29/114,905**

(22) **Filed:** **Dec. 6, 1999**

(30) **Foreign Application Priority Data**

Jul. 9, 1999 (JP) ..... 11-18373

(51) **LOC (7) Cl.** ..... **13-03**

(52) **U.S. Cl.** ..... **D13/151**

(58) **Field of Search** ..... D13/146, 147,  
D13/151; D14/217, 230, 299; 439/578;  
333/100; 174/52.1, 59, 65 R

(56) **References Cited**

**U.S. PATENT DOCUMENTS**

- 3,676,744 A \* 7/1972 Pennypacker ..... 333/125
- 4,806,116 A \* 2/1989 Ackerman ..... 439/578 X
- D301,239 S \* 5/1989 Chino ..... D13/146 X
- D301,241 S \* 5/1989 Chino ..... D13/147 X
- D301,242 S \* 5/1989 Chino ..... D13/146 X

- D301,243 S \* 5/1989 Chino ..... D13/146 X
- 5,153,380 A \* 10/1992 Chang ..... 174/52.1
- D396,691 S \* 8/1998 Shen ..... D13/147
- D409,985 S \* 5/1999 Hsiang ..... D13/151

\* cited by examiner

*Primary Examiner*—Joel Sincavage

(57) **CLAIM**

I claim the ornamental design of a distributor for television signal, as shown and described.

**DESCRIPTION**

FIG. 1 is a top plan view of a distributor for television signal of my new design;

FIG. 2 is a front, elevational view of the distributor for television signal of FIG. 1;

FIG. 3 is a right side, elevational view of the distributor for television signal of FIG. 1;

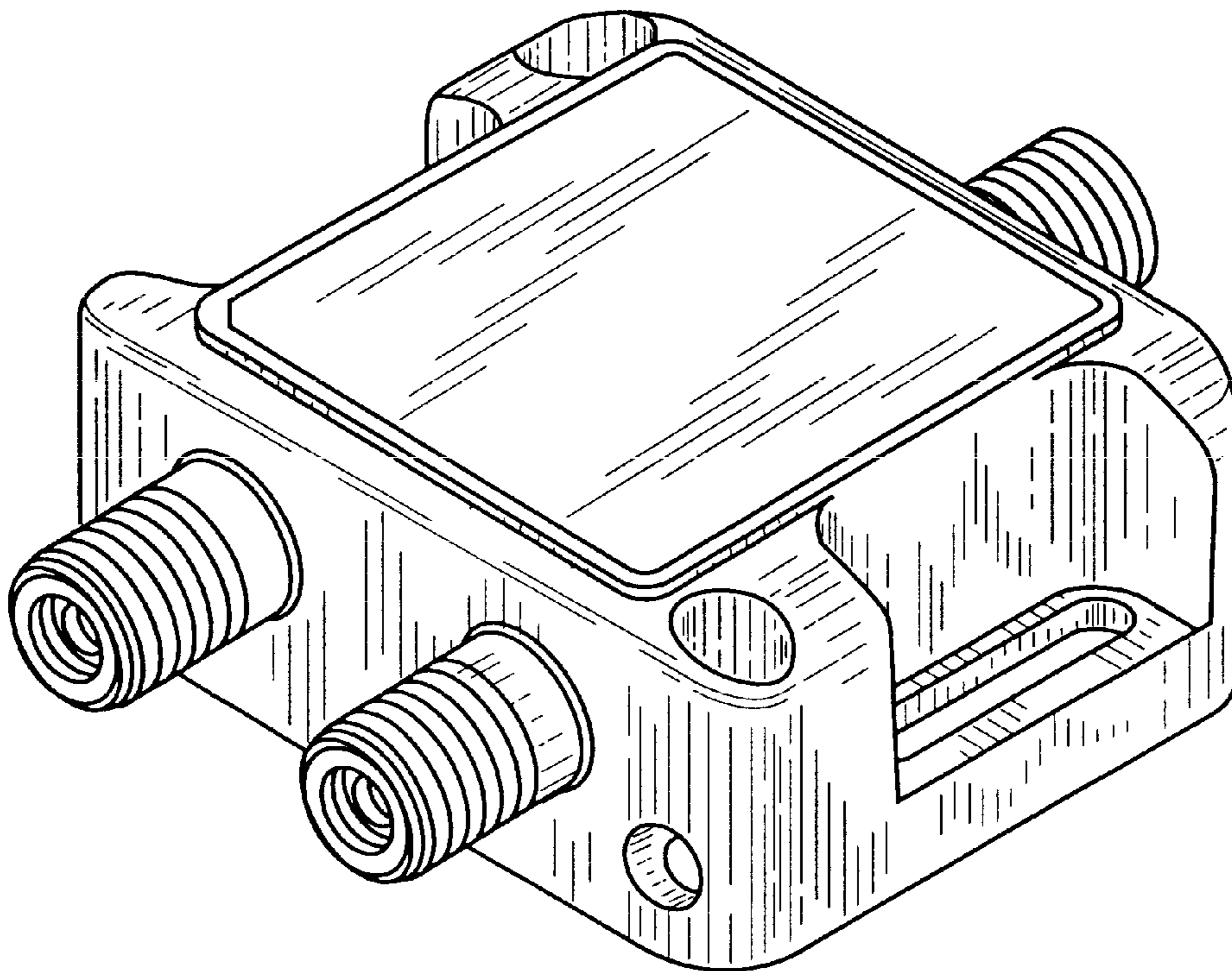
FIG. 4 is a bottom plan view of the distributor for television signal of FIG. 1;

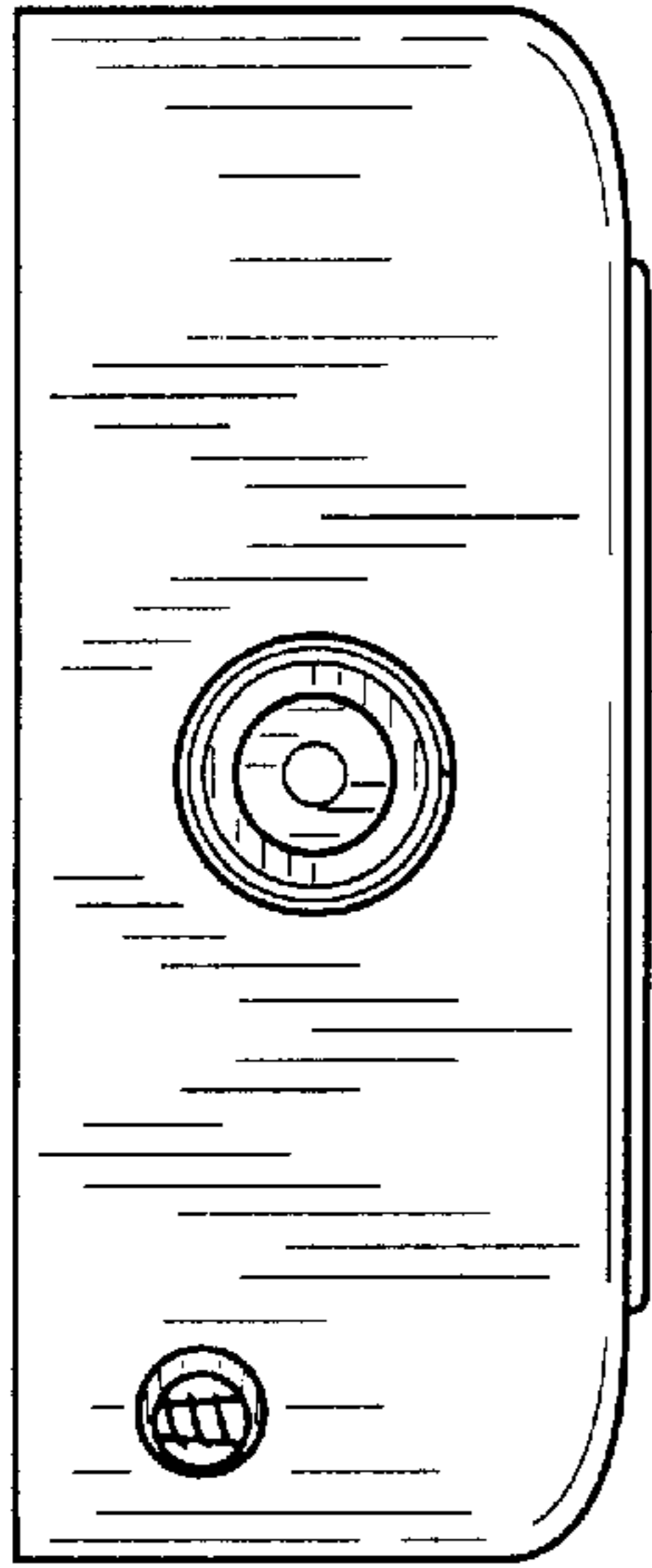
FIG. 5 is a left side, elevational view of the distributor for television signal of FIG. 1;

FIG. 6 is a back, elevational view of the distributor for television signal of FIG. 1; and,

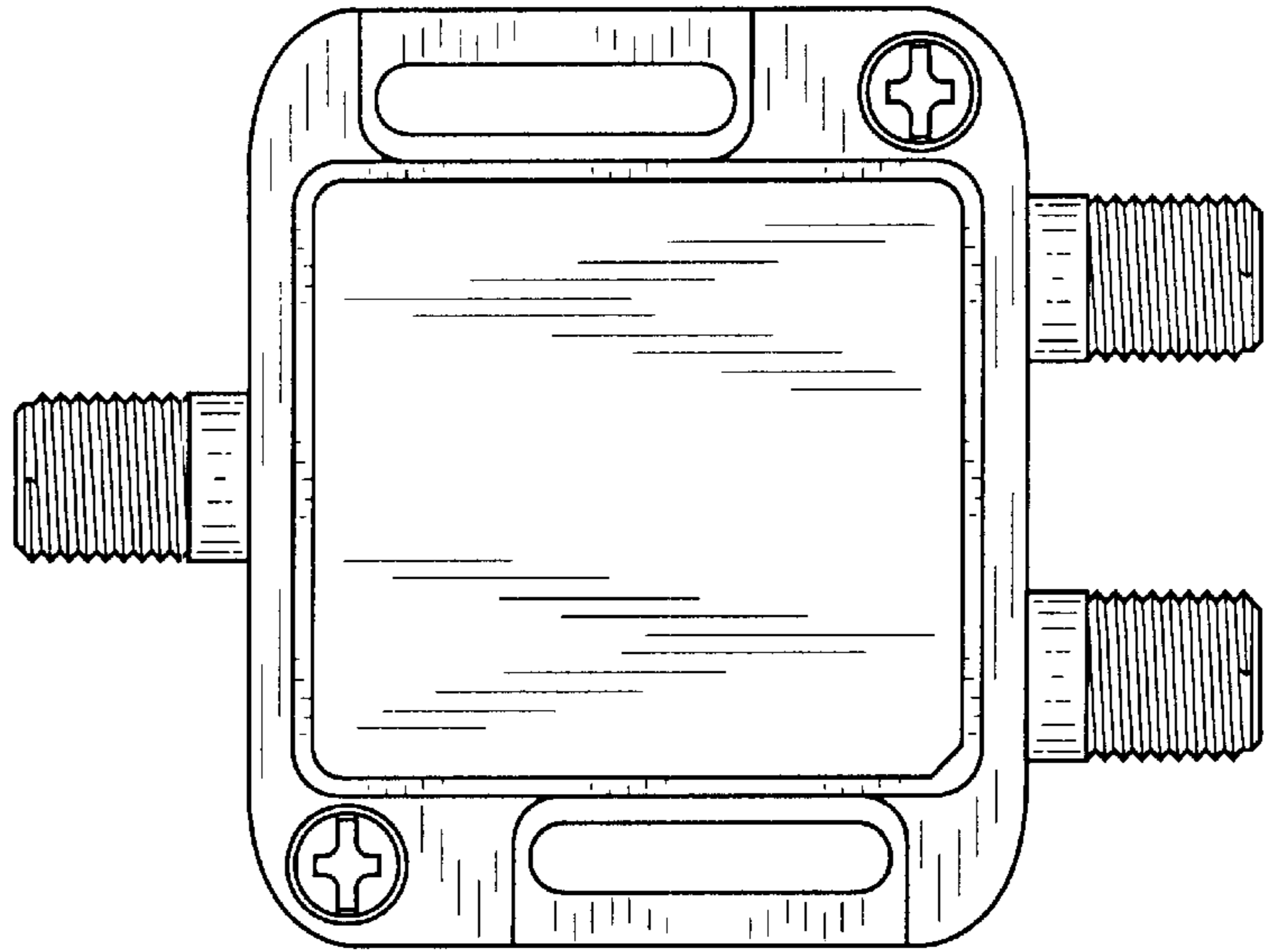
FIG. 7 is a front, perspective view of the distributor for television signal of FIG. 1.

**1 Claim, 3 Drawing Sheets**

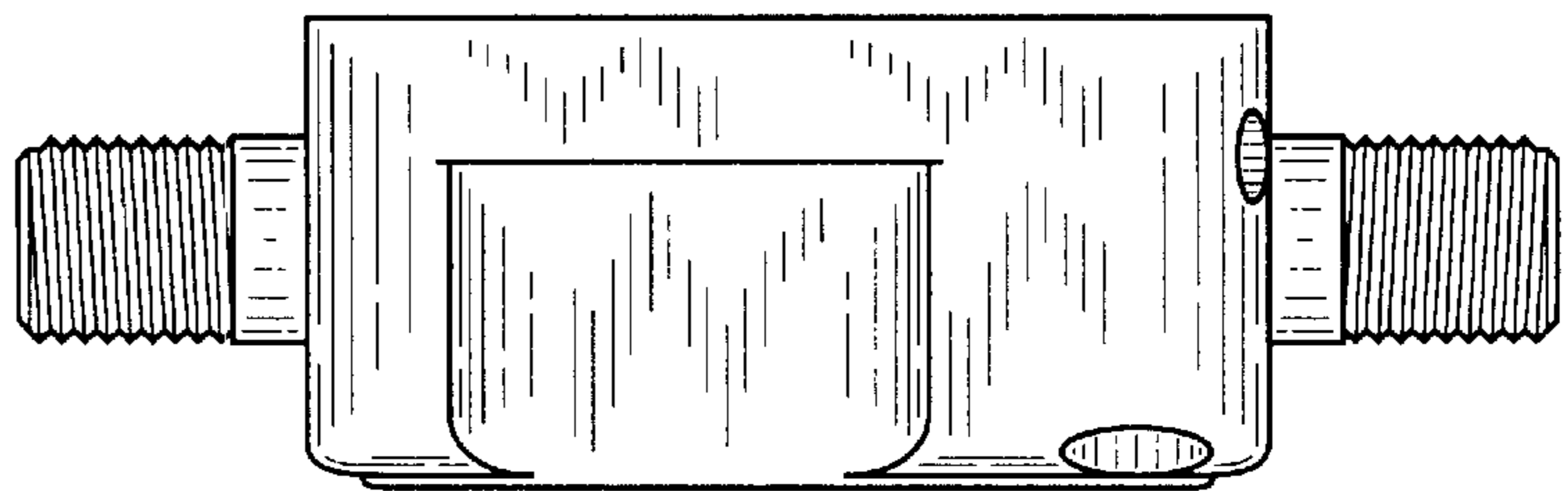




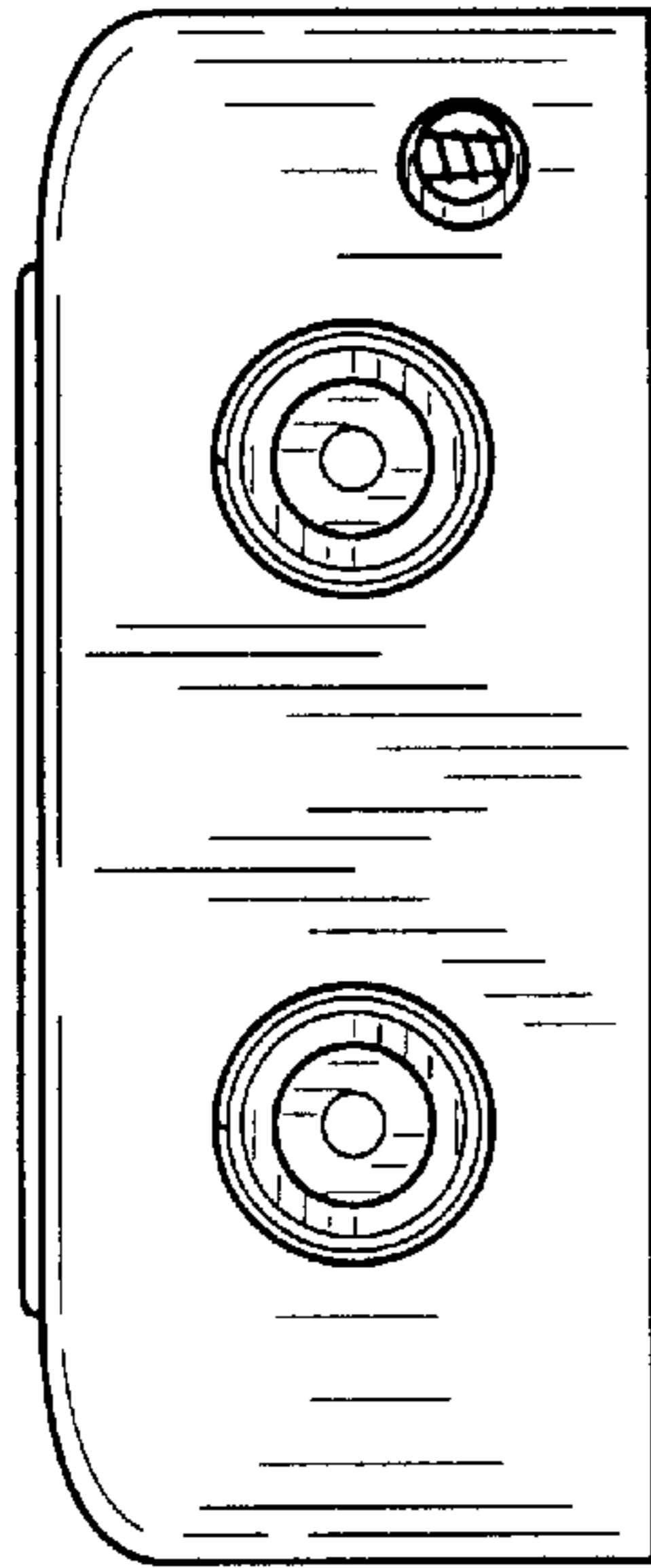
**FIG. 1**



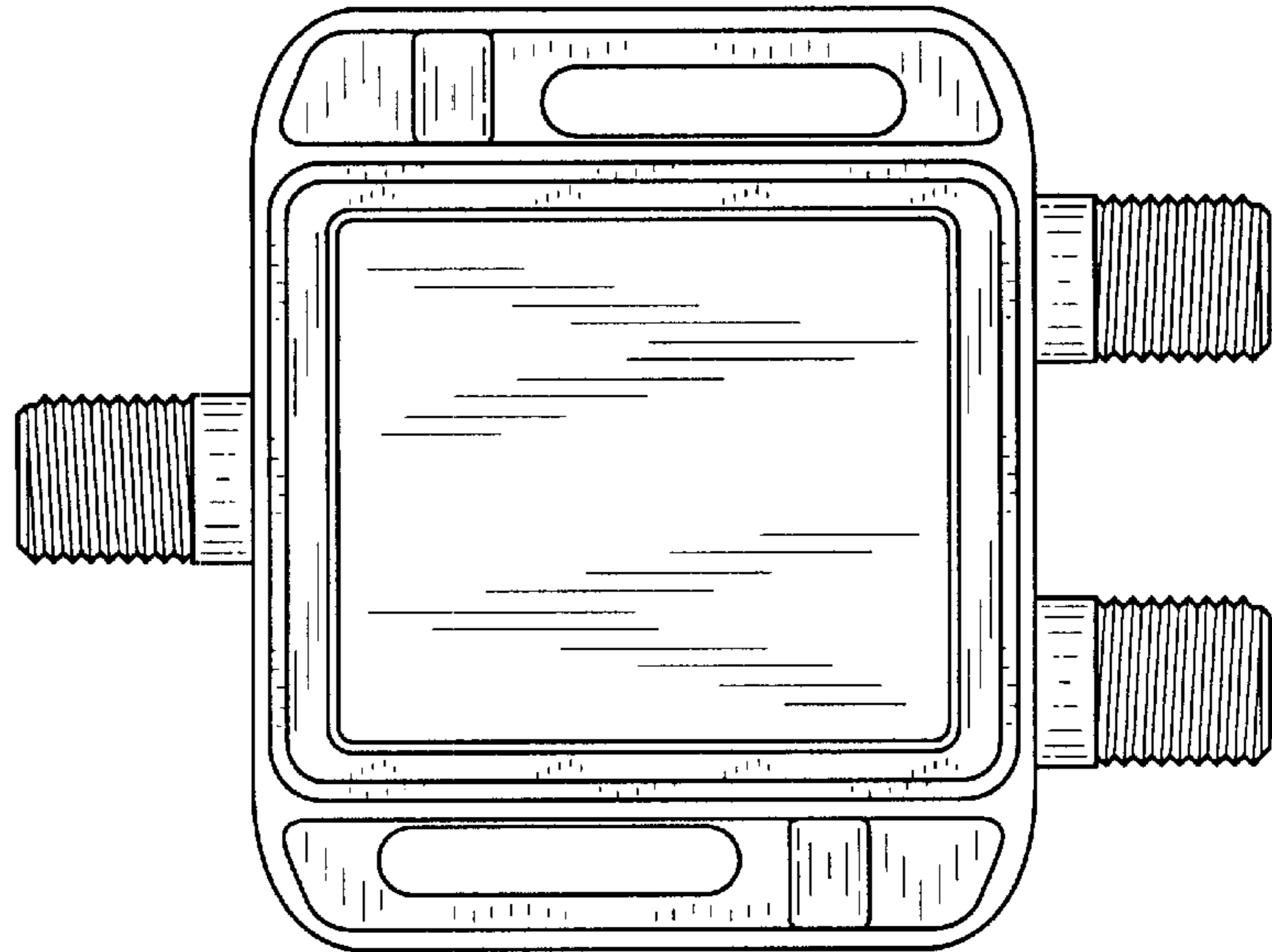
**FIG. 2**



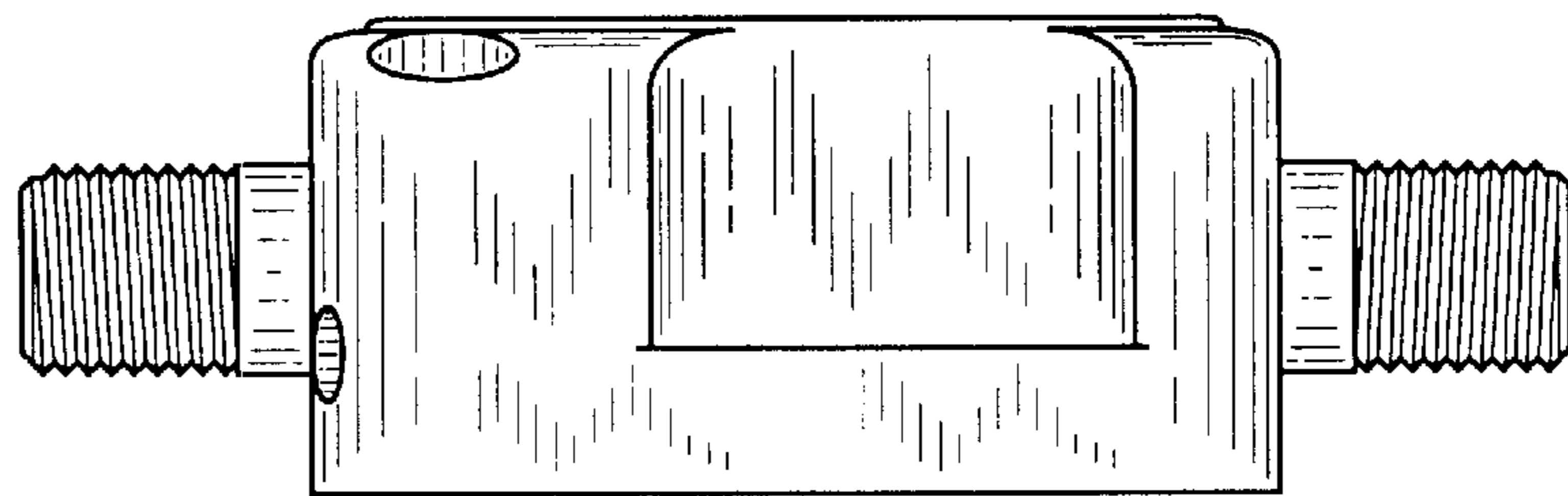
**FIG. 3**



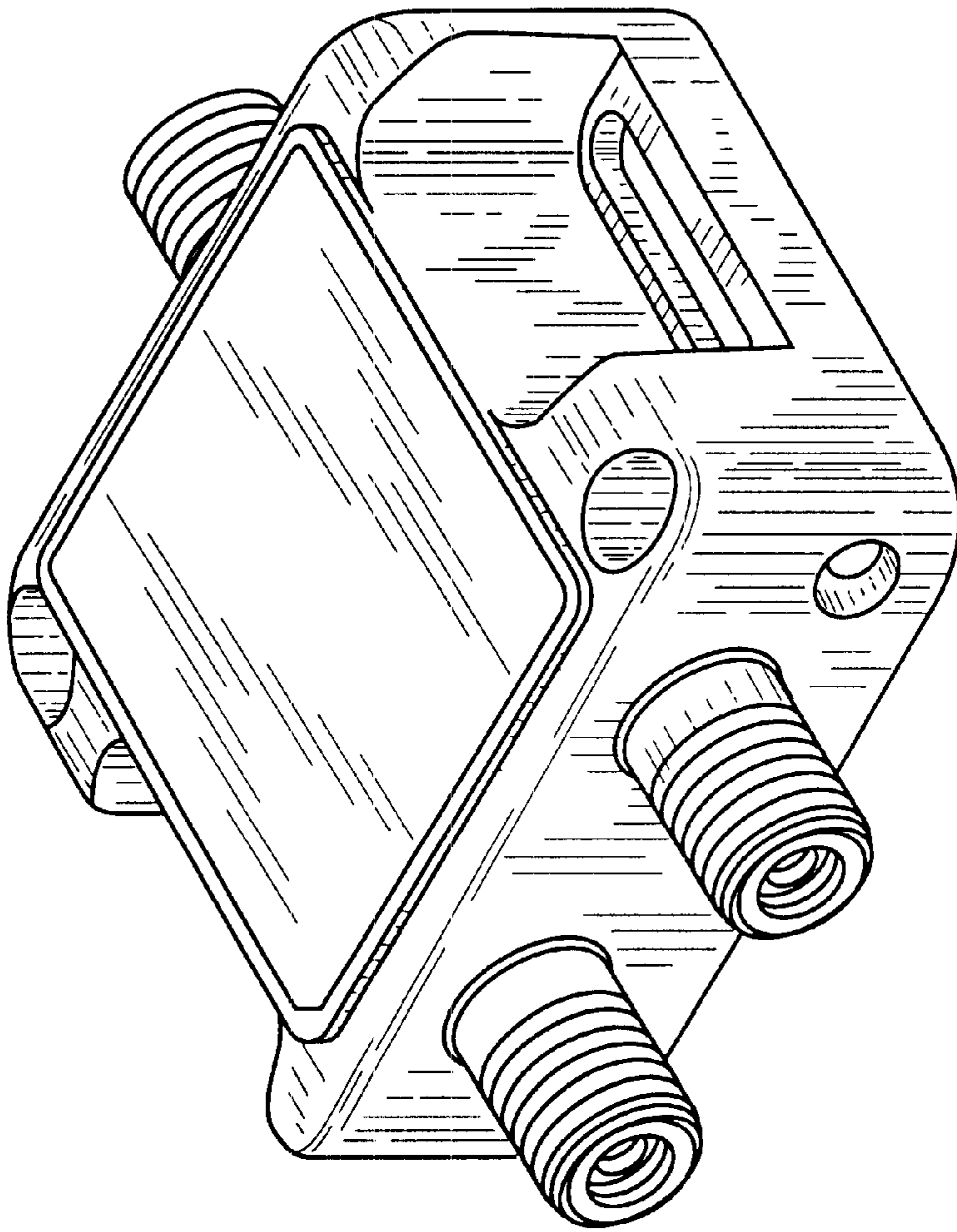
**FIG. 4**



**FIG. 6**



**FIG. 5**



**FIG. 7**