



US00D452674B1

(12) **United States Design Patent**
Wartono

(10) **Patent No.:** **US D452,674 S**
(45) **Date of Patent:** **** Jan. 1, 2002**

- (54) **VEHICLE WHEEL**
- (75) Inventor: **Wartono**, Jawa Tengah (ID)
- (73) Assignee: **PT Prima Alloy Steel Universal** (ID)
- (**) Term: **14 Years**
- (21) Appl. No.: **29/144,129**
- (22) Filed: **Jun. 25, 2001**
- (51) **LOC (7) Cl.** **12-16**
- (52) **U.S. Cl.** **D12/209**
- (58) **Field of Search** **D12/204-211;**
301/37.1, 64.1, 65

D433,375 S	*	11/2000	Fitzgerald	D12/209
D433,658 S	*	11/2000	Donikoglu	D12/209
D436,567 S	*	1/2001	Takechi	D12/209
D436,574 S	*	1/2001	Tunstill	D12/211
D436,907 S	*	1/2001	Ong	D12/209
D437,576 S	*	2/2001	Ir	D12/209
D438,158 S	*	2/2001	Fitzgerald	D12/209
D438,159 S	*	2/2001	Kaucher	D12/209
D443,579 S	*	6/2001	Herrera	D12/209
D445,390 S	*	7/2001	Wartono	D12/209

* cited by examiner

Primary Examiner—Stacia Cadmus

(74) *Attorney, Agent, or Firm*—Fulwider Patton Lee & Utecht, LLP

- (56) **References Cited**
- U.S. PATENT DOCUMENTS**
- D408,345 S * 4/1999 Cullen D12/209
- D413,852 S * 9/1999 Cullen D12/209
- D418,794 S * 1/2000 Chung D12/209
- D423,442 S * 4/2000 Hussaini et al. D12/209
- D428,594 S * 7/2000 Neeper D12/209
- D430,095 S * 8/2000 Lotson D12/211
- D431,515 S * 10/2000 Donikoglu D12/209
- D431,516 S * 10/2000 Kaucher D12/209
- D431,517 S * 10/2000 Donikoglu D12/209
- D432,972 S * 10/2000 Chung D12/209
- D433,370 S * 11/2000 Hussaini et al. D12/109
- D433,373 S * 11/2000 Hussaini et al. D12/209

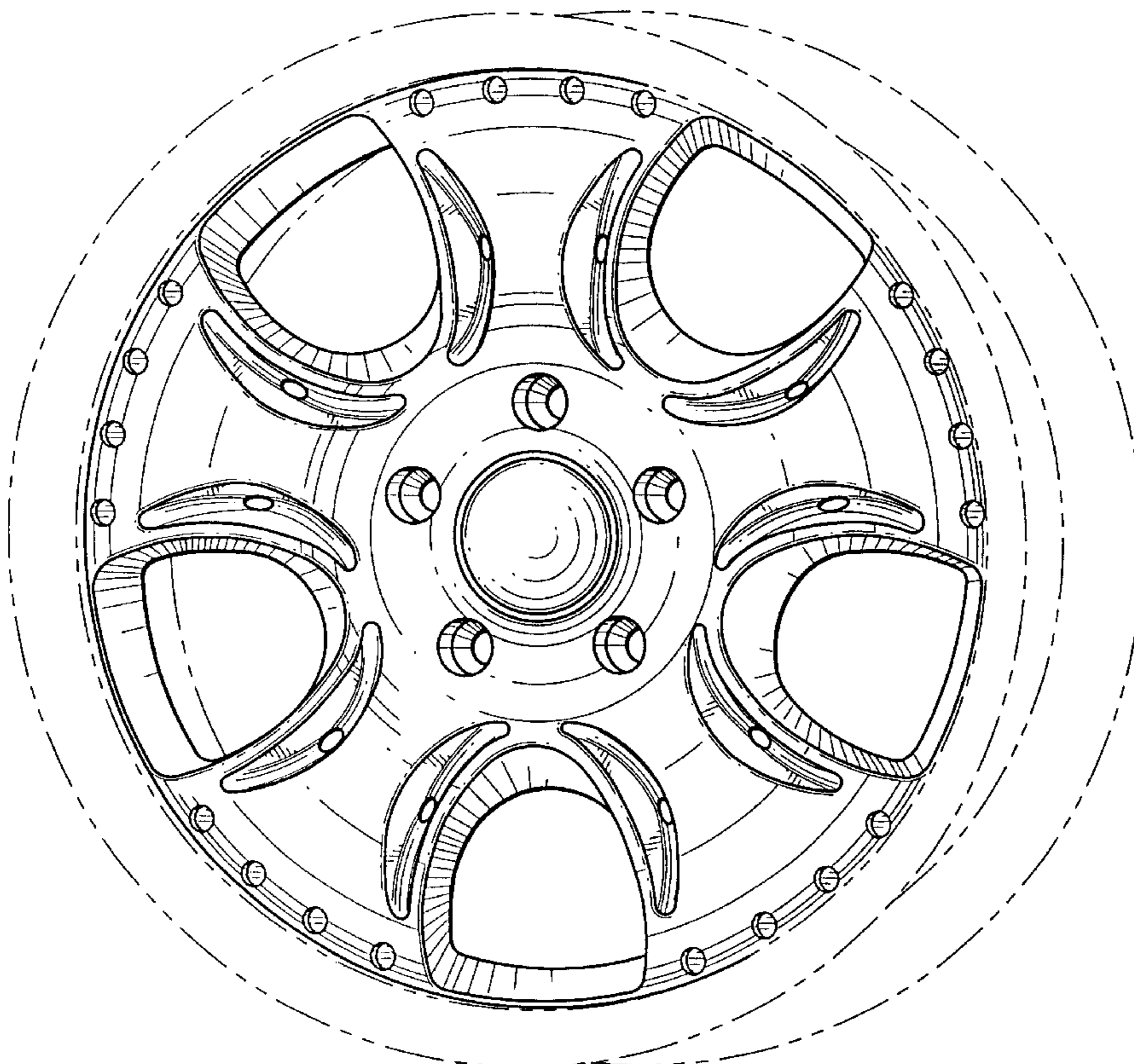
(57) **CLAIM**

The ornamental design for a vehicle wheel, as shown and described.

DESCRIPTION

FIG. 1 is a perspective view of the vehicle wheel showing my new design;
 FIG. 2 is a front elevational view thereof; and,
 FIG. 3 is a section view thereof taken along the line 3—3 of FIG. 2.
 The broken line showing of environment is for illustrative purposes only and forms no part of the claimed design.

1 Claim, 3 Drawing Sheets



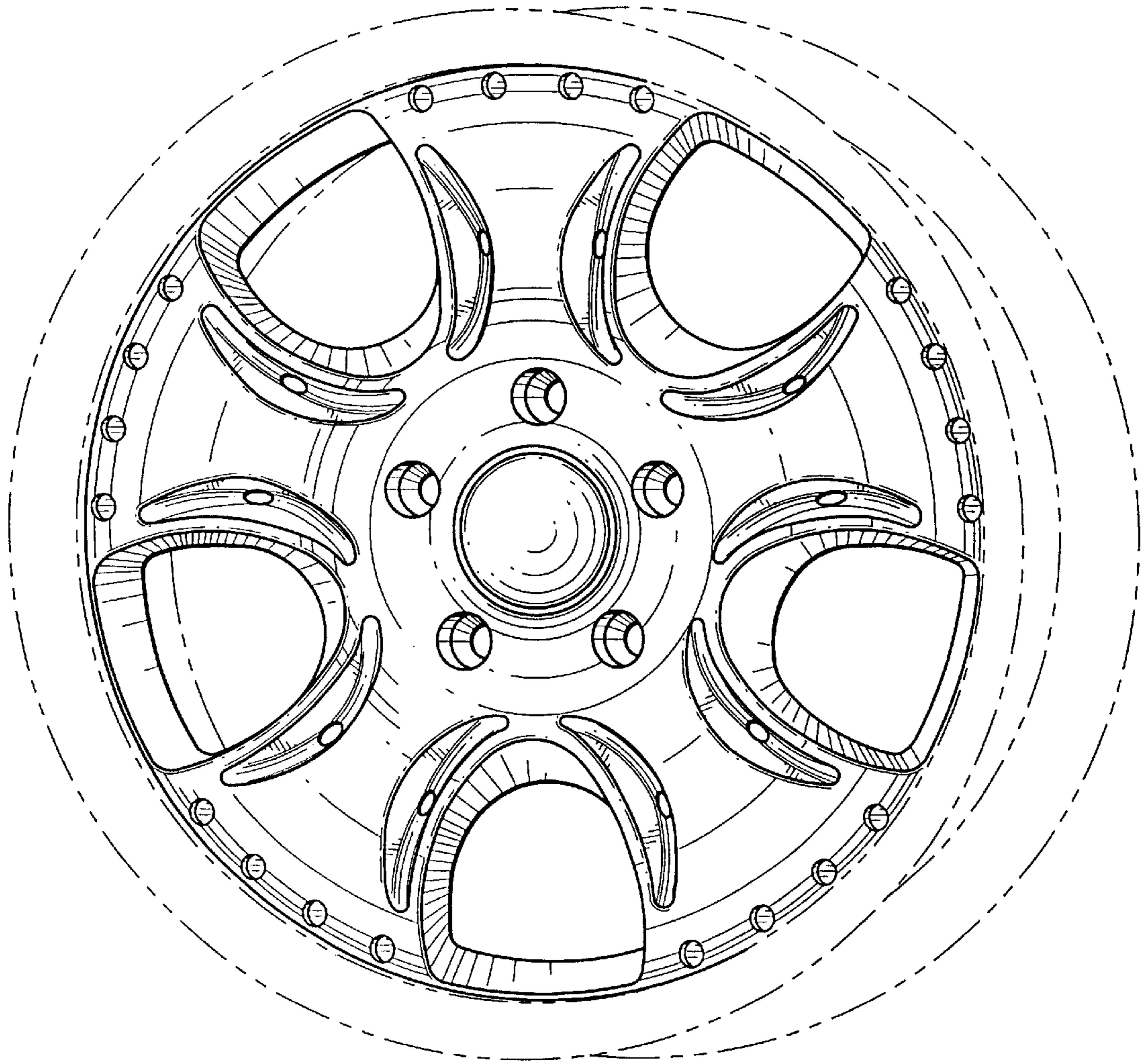


FIG. 1

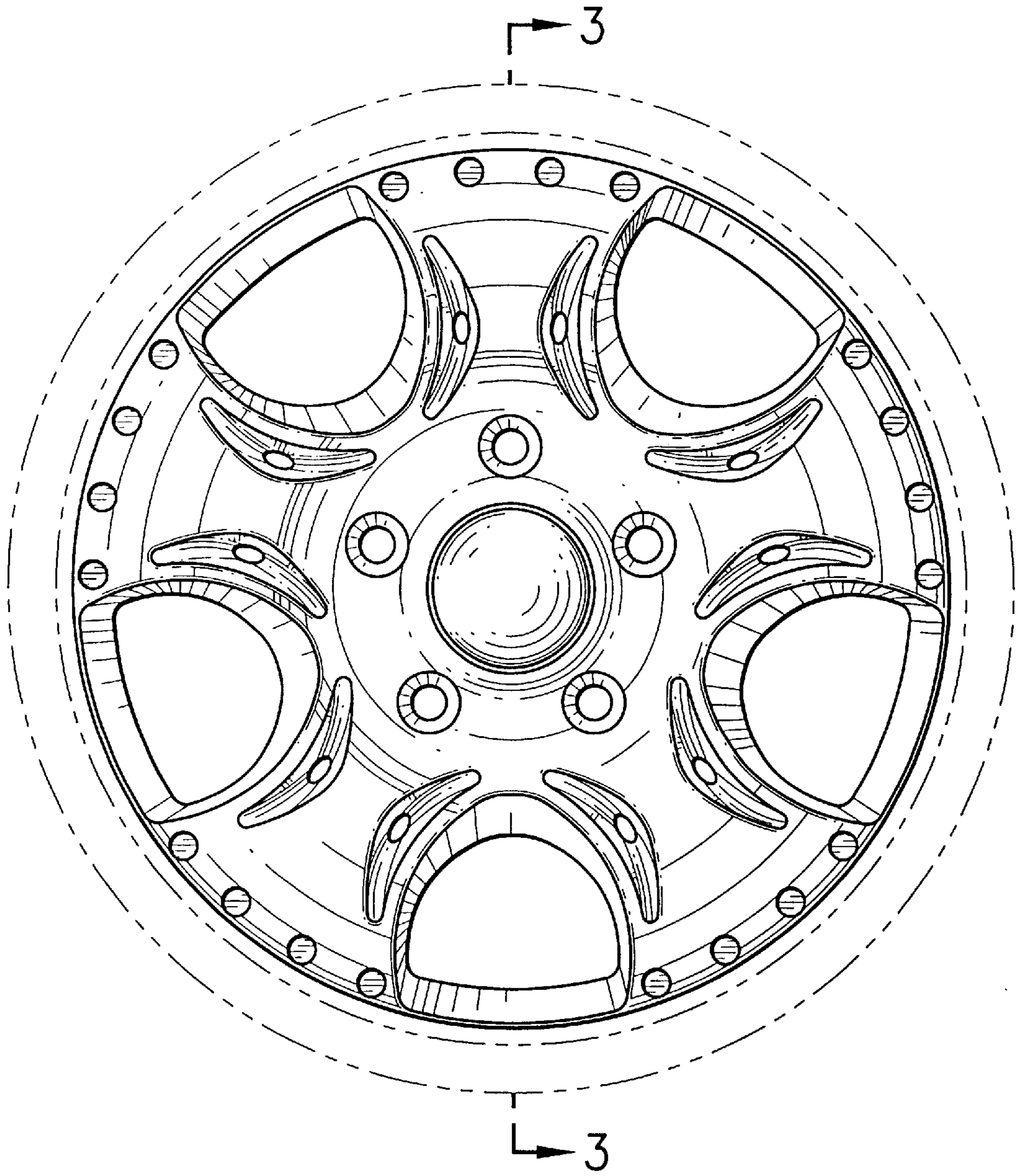


FIG. 2

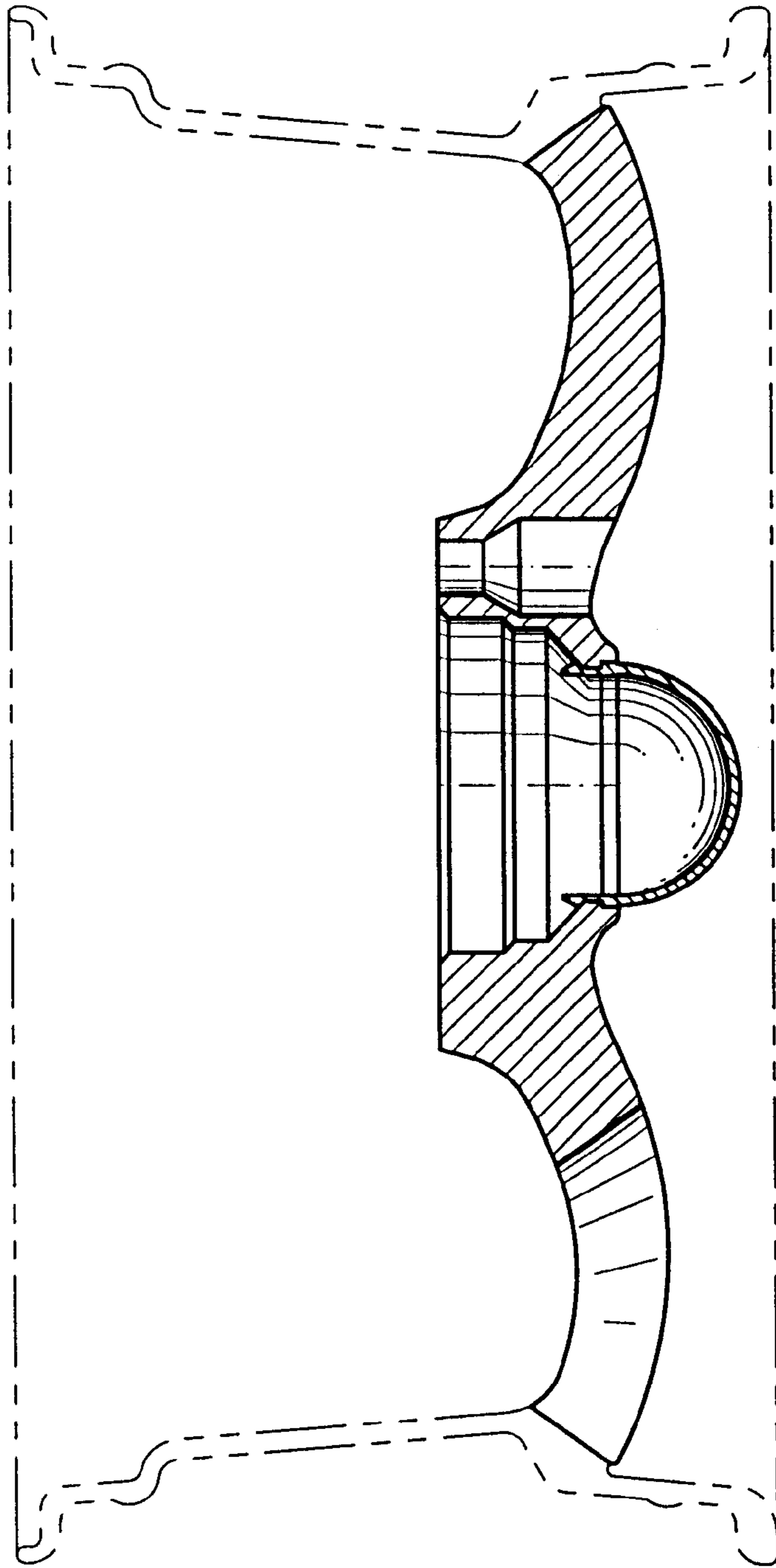


FIG. 3