



US00D452667B1

(12) **United States Design Patent**  
**Tsubono**

(10) **Patent No.:** **US D452,667 S**

(45) **Date of Patent:** **\*\* Jan. 1, 2002**

(54) **TIRE FOR AUTOMOBILE**

JP D1064079 3/2000

(75) Inventor: **Fumihito Tsubono**, Kobe (JP)

**OTHER PUBLICATIONS**

(73) Assignee: **Sumitomo Rubber Industries, Ltd.**,  
Hyogo-ken (JP)

Dayton Daytona HR Tire, 1999 Tread Design Guide, Jan. 1999, p. 24. 2/4.\*

(\*\*) Term: **14 Years**

\* cited by examiner

*Primary Examiner*—Robert M. Spear

(21) Appl. No.: **29/134,061**

(57) **CLAIM**

(22) Filed: **Dec. 14, 2000**

The ornamental design for a tire for automobile, as shown and described.

(30) **Foreign Application Priority Data**

**DESCRIPTION**

Jun. 23, 2000 (JP) ..... 12-017101

(51) **LOC (7) Cl.** ..... **12-15**

FIG. 1 is a front view of a tire for automobile showing my new design;

(52) **U.S. Cl.** ..... **D12/147**

FIG. 2 is a rear view thereof;

(58) **Field of Search** ..... D12/134-152;  
152/209.1, 209.3, 209.9, 209.13, 209.28,  
902, 903, 904

FIG. 3 is a top plan view thereof;

FIG. 4 is a left side view thereof;

FIG. 5 is a right side view thereof;

FIG. 6 is a perspective view thereof;

(56) **References Cited**

FIG. 7 is an enlarged end face view taken along line 7—7 of FIG. 1;

**U.S. PATENT DOCUMENTS**

6,202,725 B1 \* 3/2001 Moriya ..... 152/209.28

6,213,180 B1 \* 4/2001 Himuro ..... 152/209.28

FIG. 8 is an enlarged end face view taken along 8—8 of FIG. 1; and,

**FOREIGN PATENT DOCUMENTS**

FIG. 9 is a referential front view thereof showing a part of the grooves in black for clarity of disclosure.

JP 1030847 1/1999

**1 Claim, 3 Drawing Sheets**

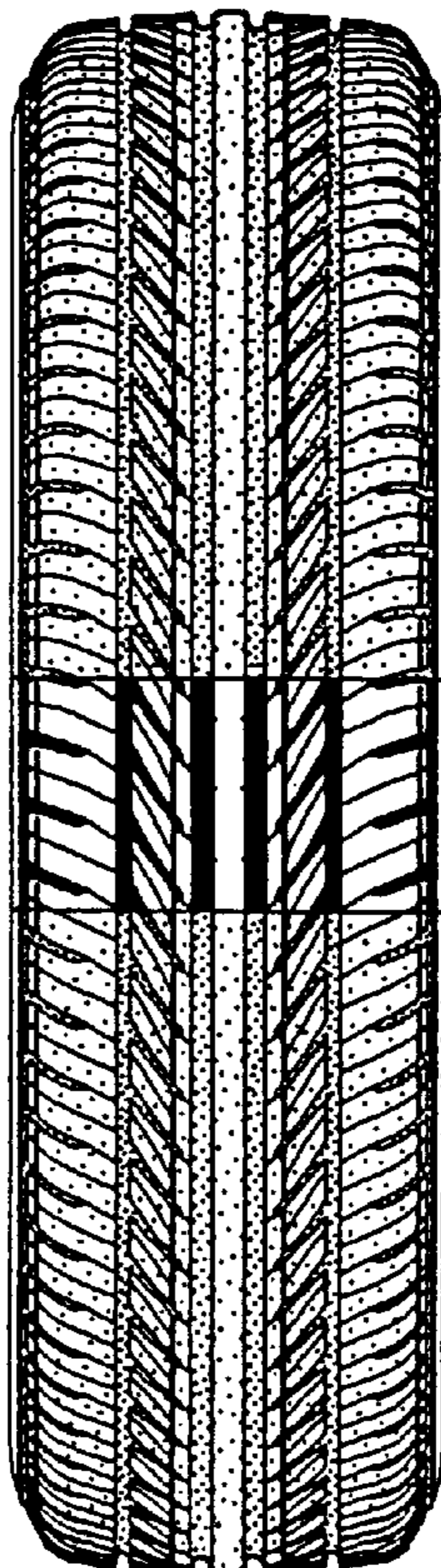


Fig. 1

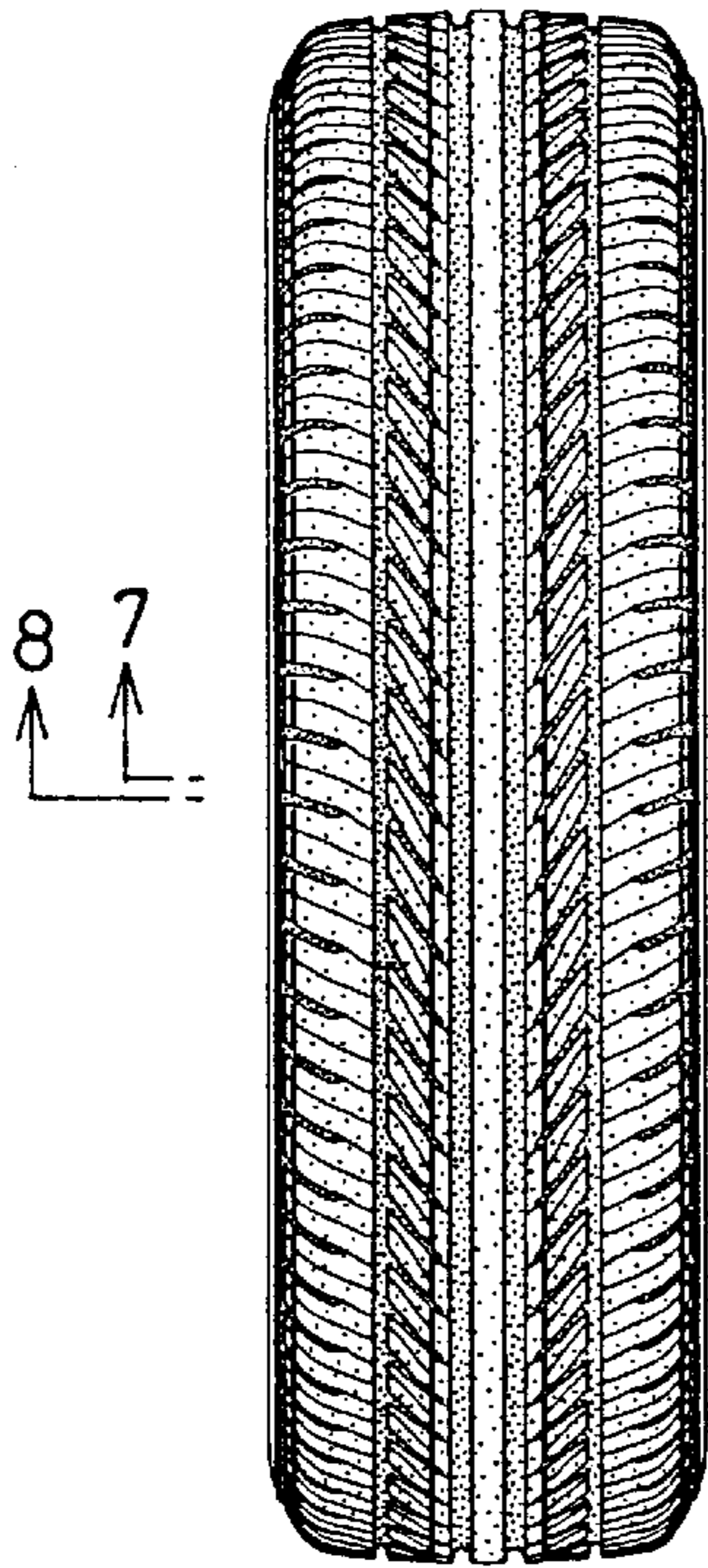


Fig. 2

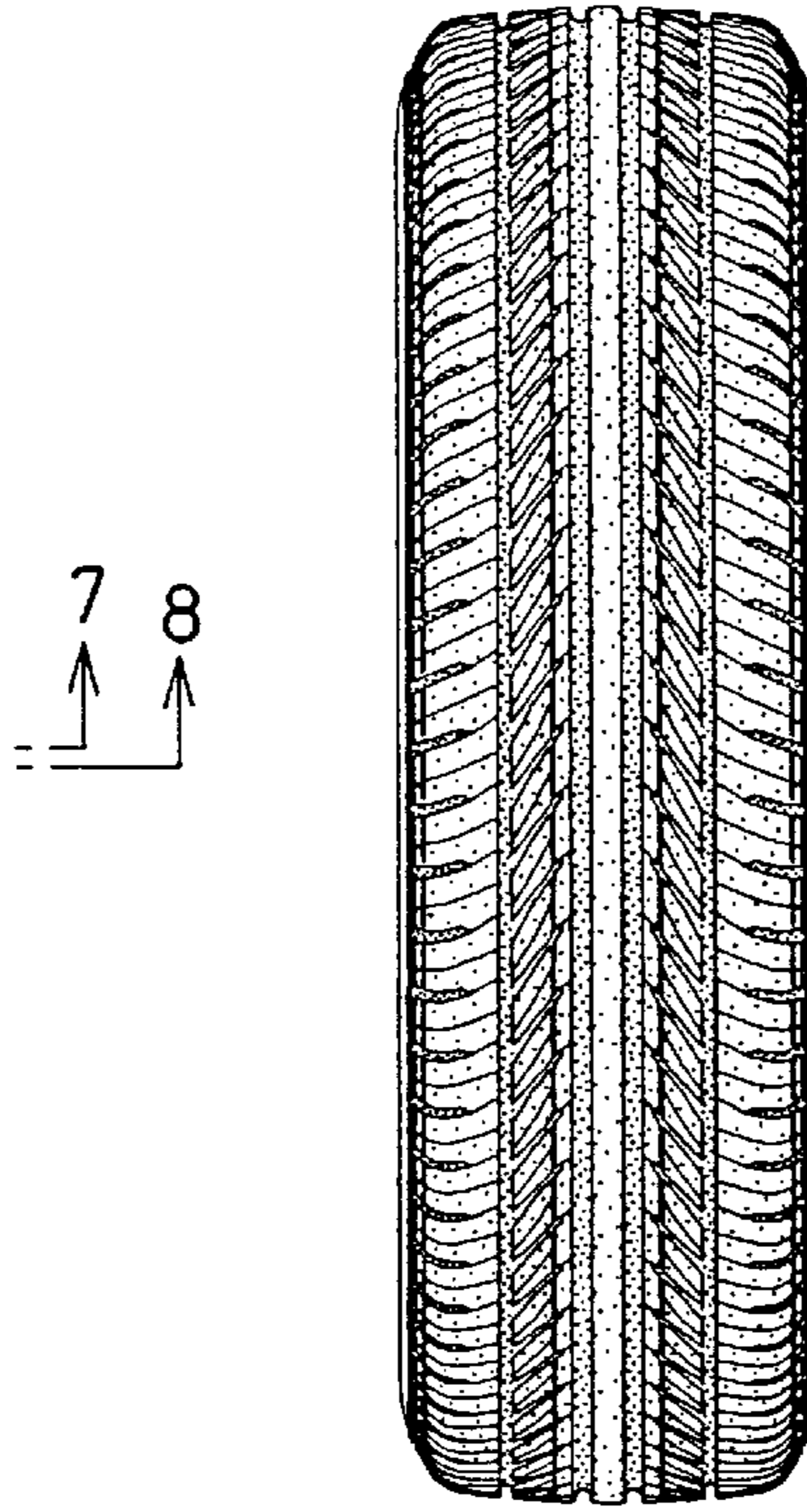


Fig. 3

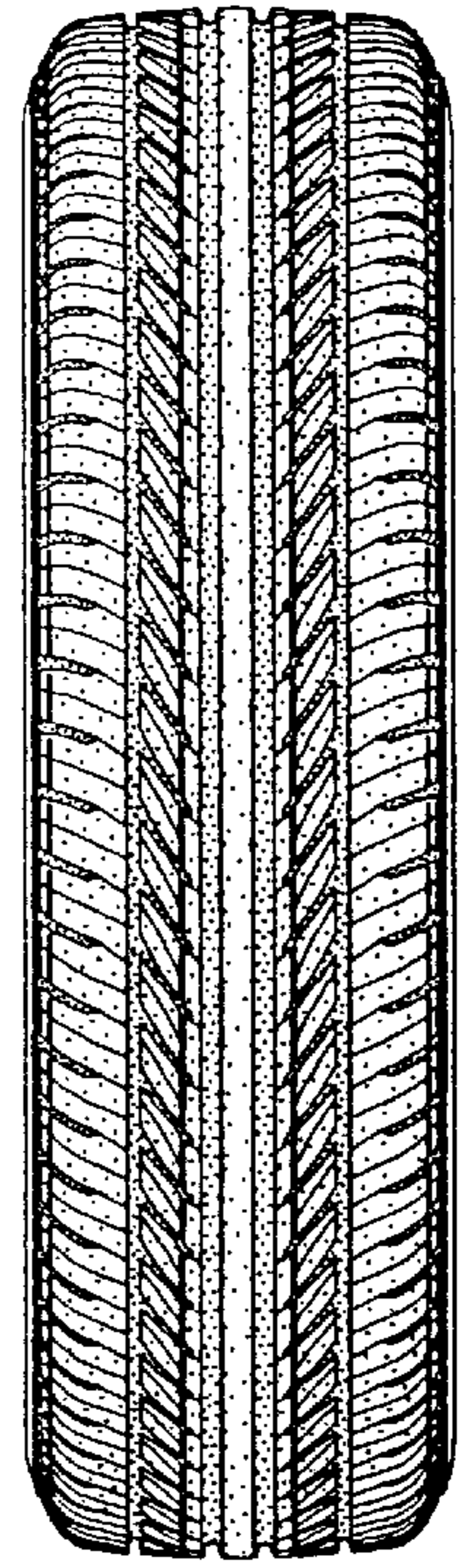


Fig. 4

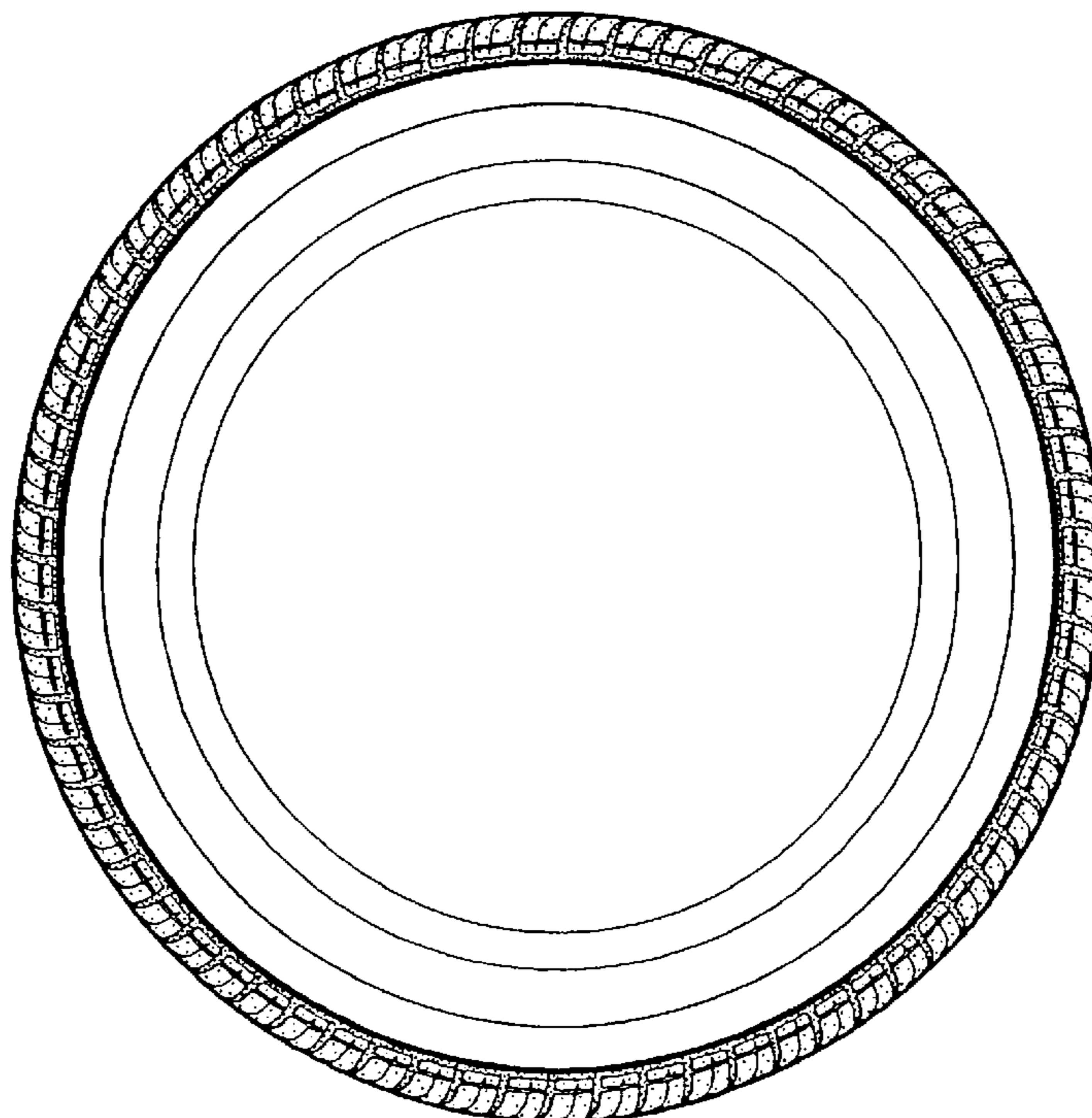


Fig. 5

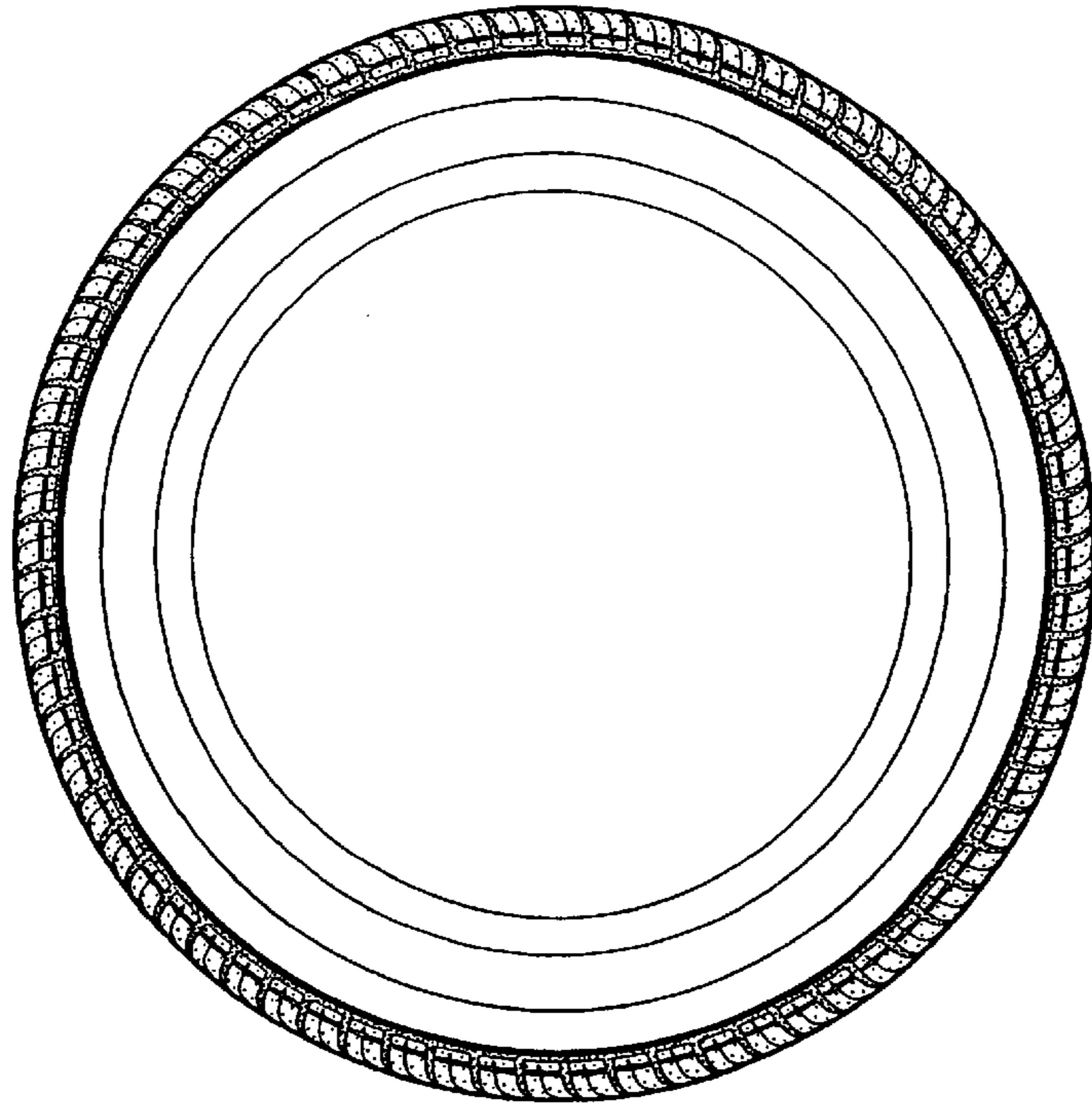


Fig. 6

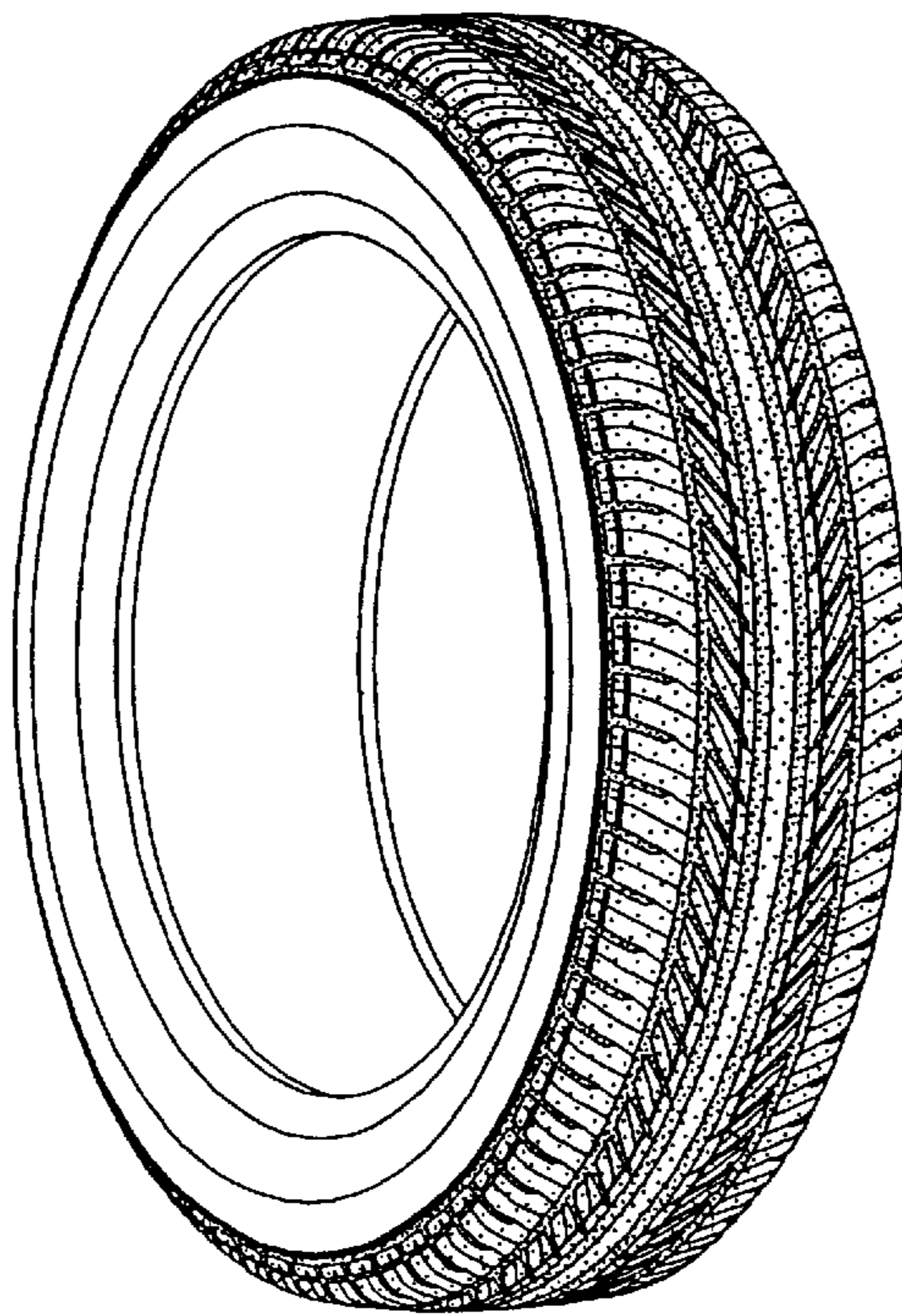


Fig. 7

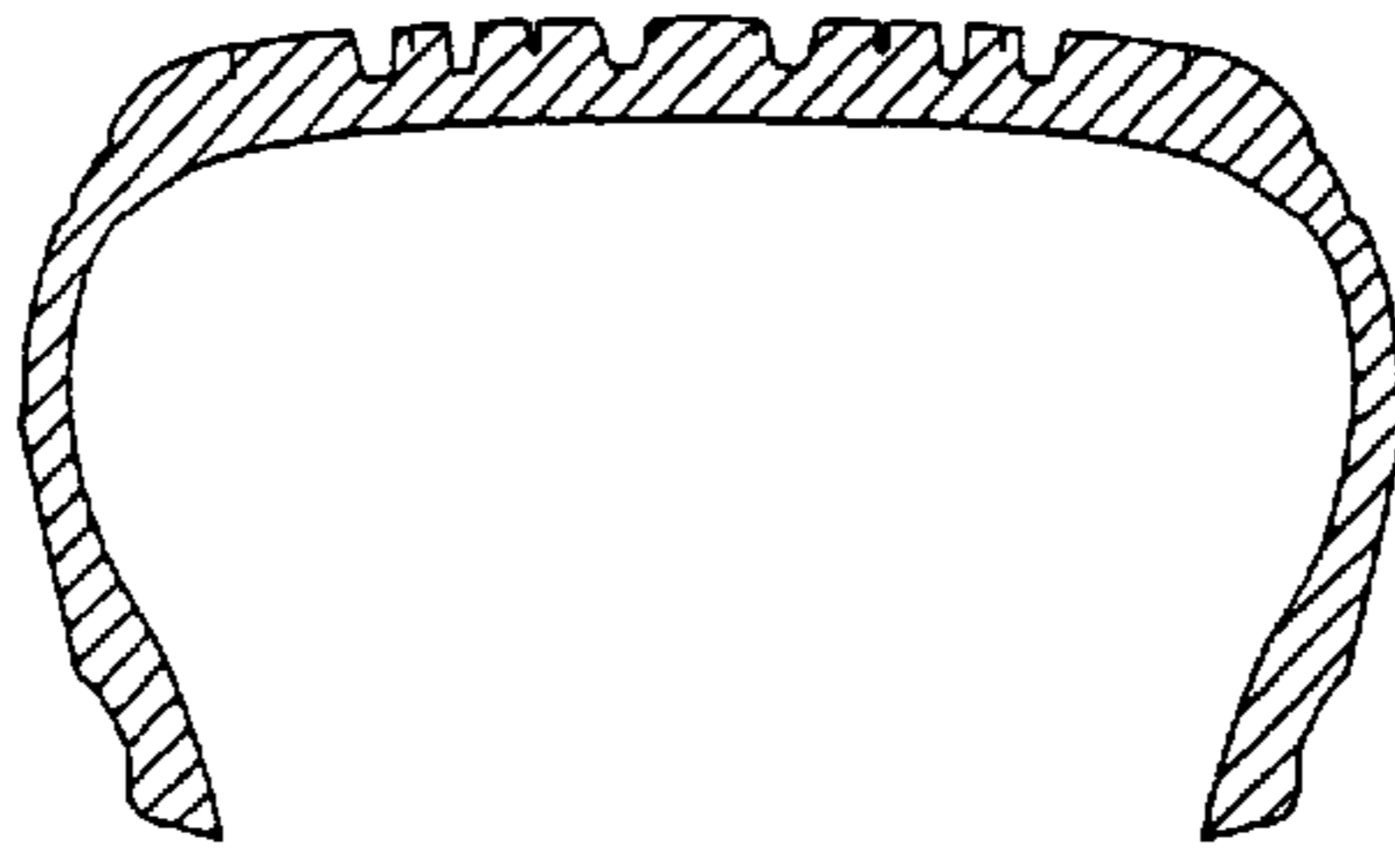


Fig. 8

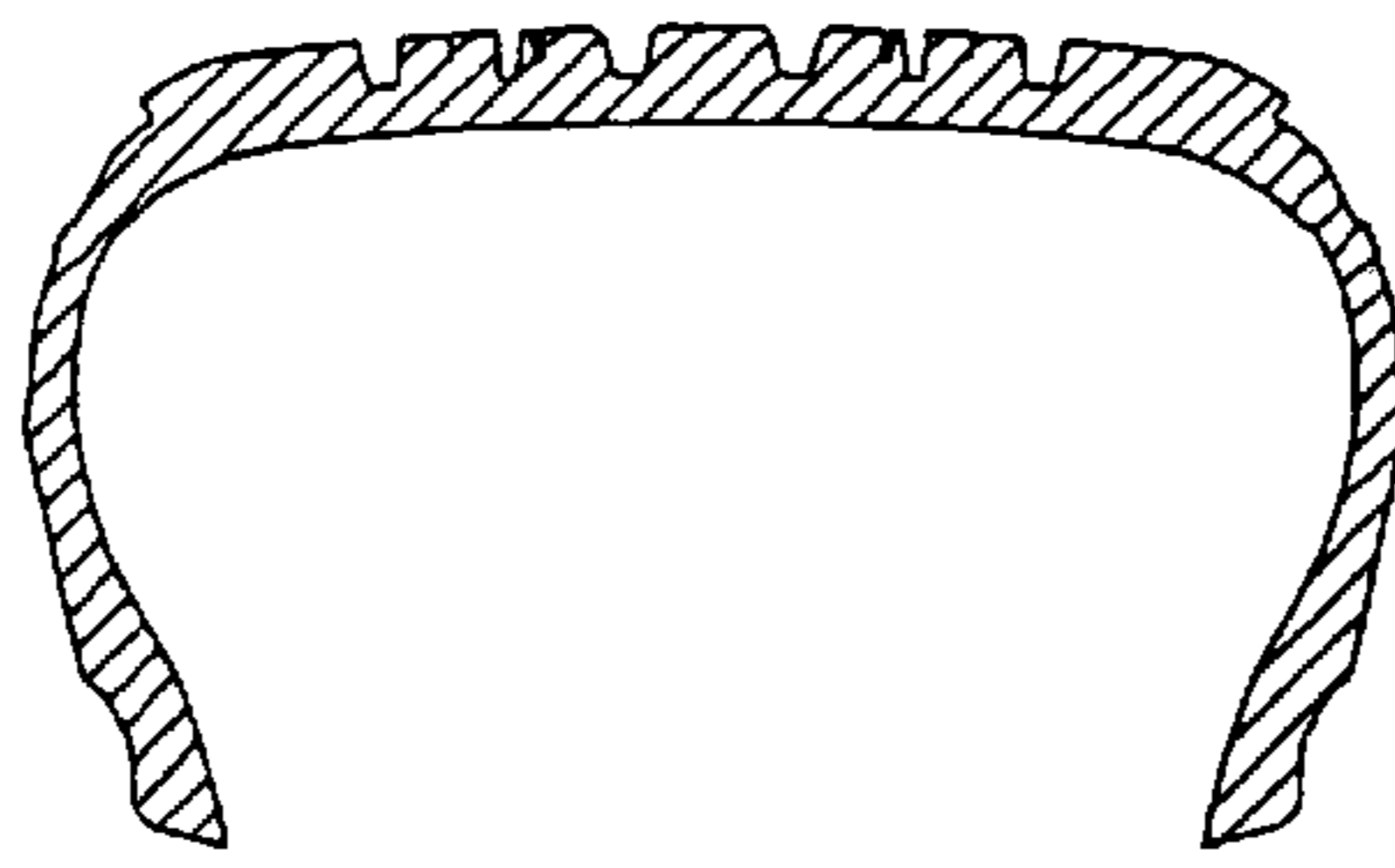


Fig. 9

