



US00D452660B1

(12) **United States Design Patent**
Bachmayer et al.

(10) **Patent No.:** **US D452,660 S**
(45) **Date of Patent:** **** Jan. 1, 2002**

(54) **SCALE**

(75) Inventors: **Nicolaus Bachmayer**, Stuttgart;
Wolfgang Fabian, Mannheim, both of
(DE)

(73) Assignee: **Soehnle AG**, Montlingen (CH)

(**) Term: **14 Years**

(21) Appl. No.: **29/132,644**

(22) Filed: **Nov. 14, 2000**

Related U.S. Application Data

(62) Division of application No. 29/109,607, filed on Aug. 17, 1999, now Pat. No. Des. 446,140.

(30) **Foreign Application Priority Data**

Feb. 17, 1999 (WO) 133 440 501
Apr. 19, 1999 (WO) 136 625 401

(51) **LOC (7) Cl.** **10-04**

(52) **U.S. Cl.** **D10/91**

(58) **Field of Search** D10/91; 177/238-245

(56) **References Cited**

U.S. PATENT DOCUMENTS

D415,051 S * 10/1999 Fabian D10/92

* cited by examiner

Primary Examiner—Antoine Duval Davis

(74) *Attorney, Agent, or Firm*—Jones, Tullar & Cooper, P.C.

(57) **CLAIM**

The ornamental design for a scale, as shown and described.

DESCRIPTION

FIG. 1 is a top view of another variant of the scale according to the present invention;

FIG. 2 is a bottom view of the scale of FIG. 1;

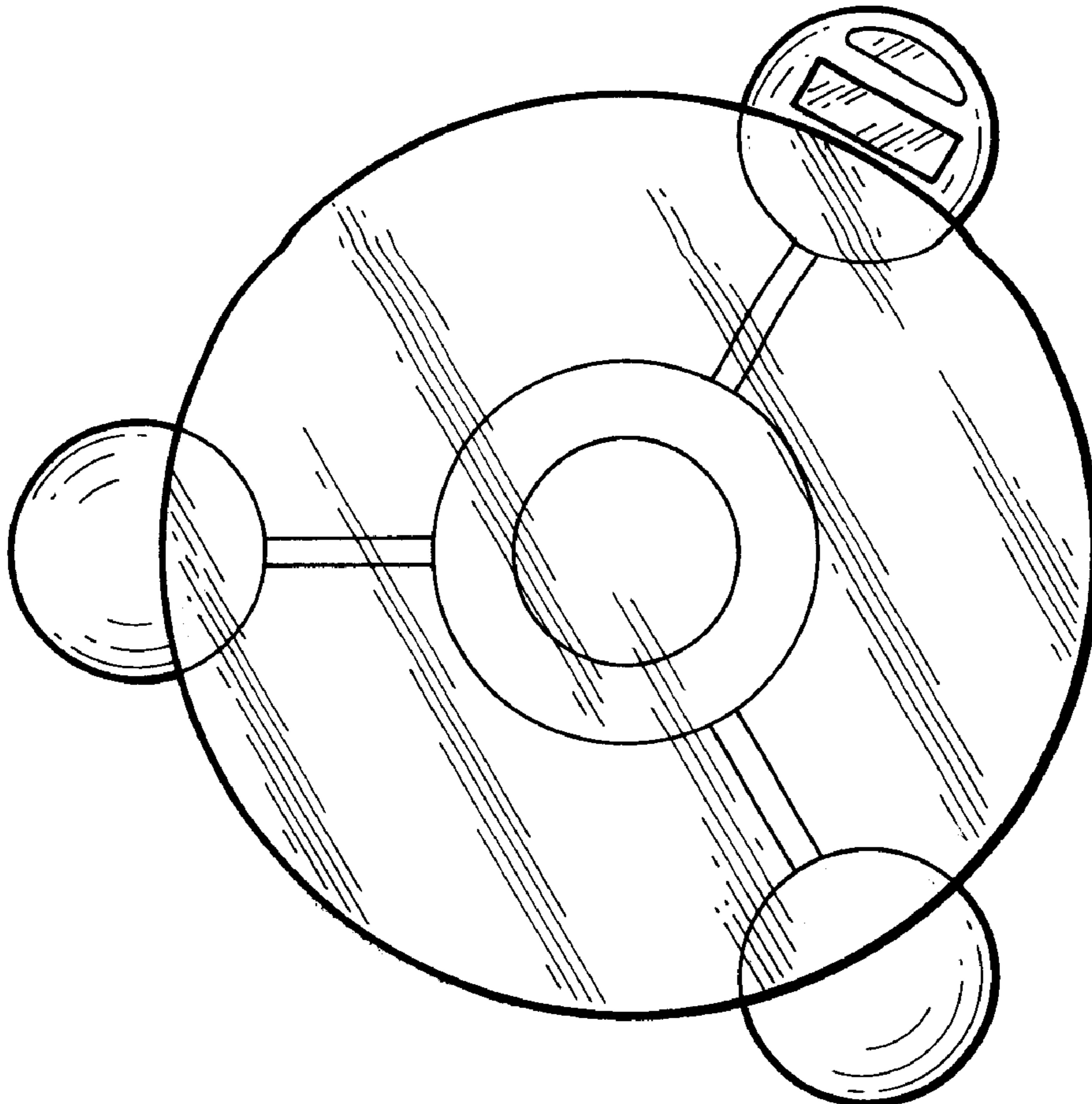
FIG. 3 is a front elevation view of the scale of FIGS. 1 and 2;

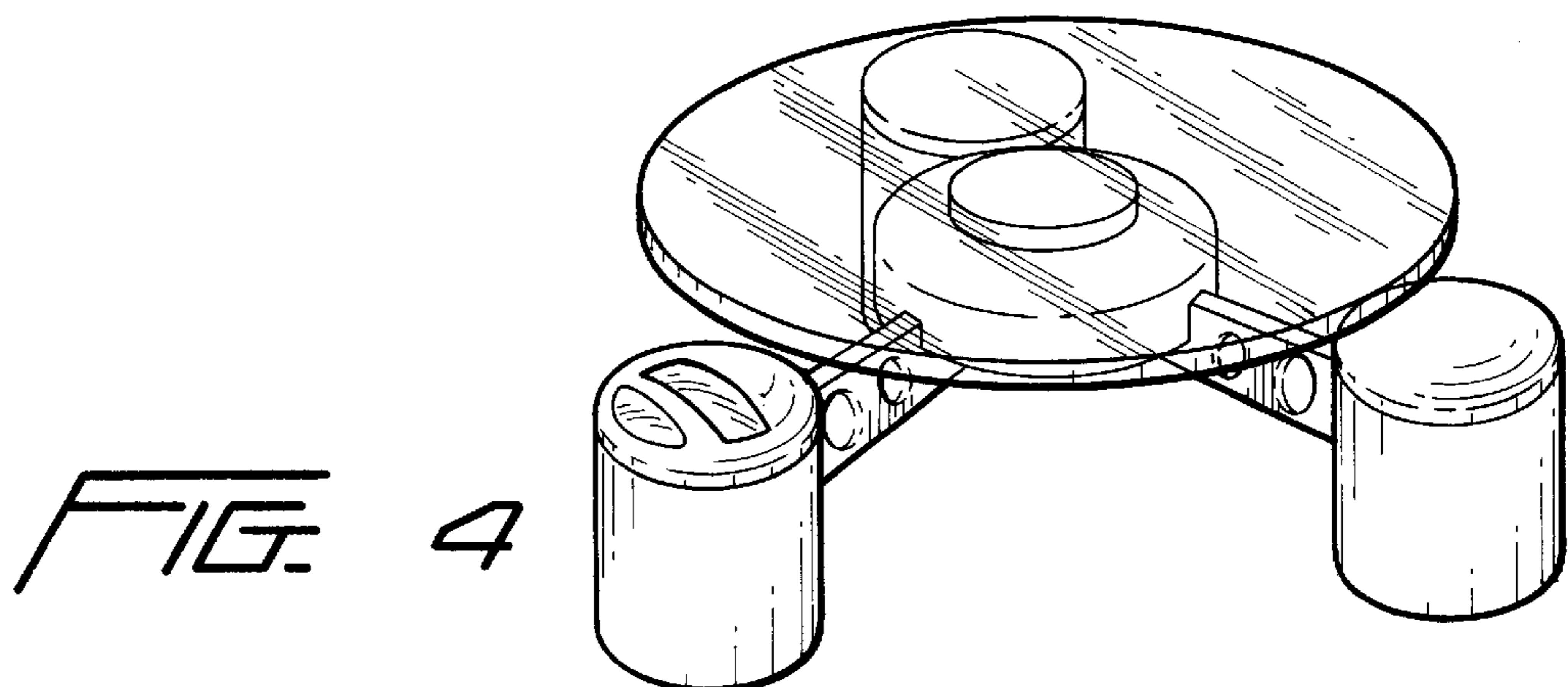
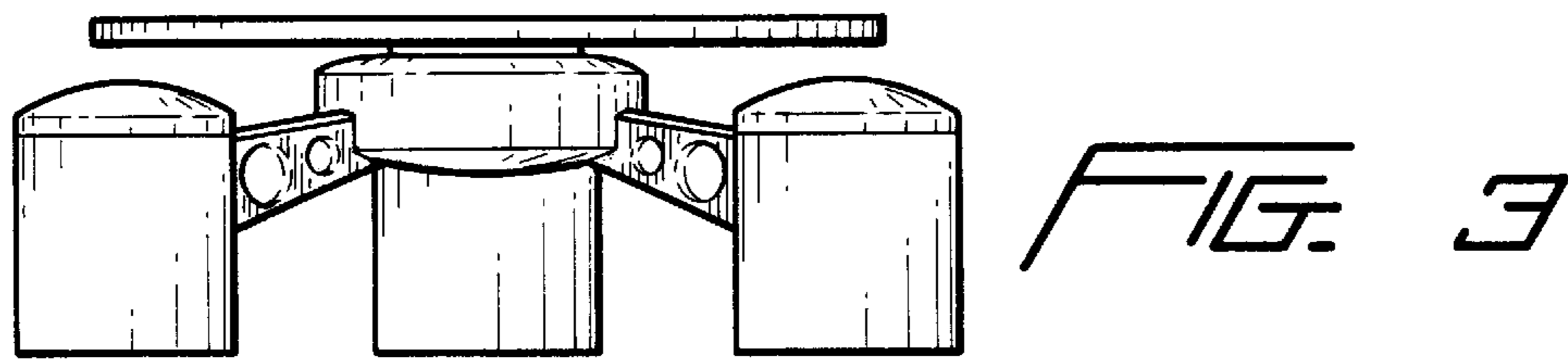
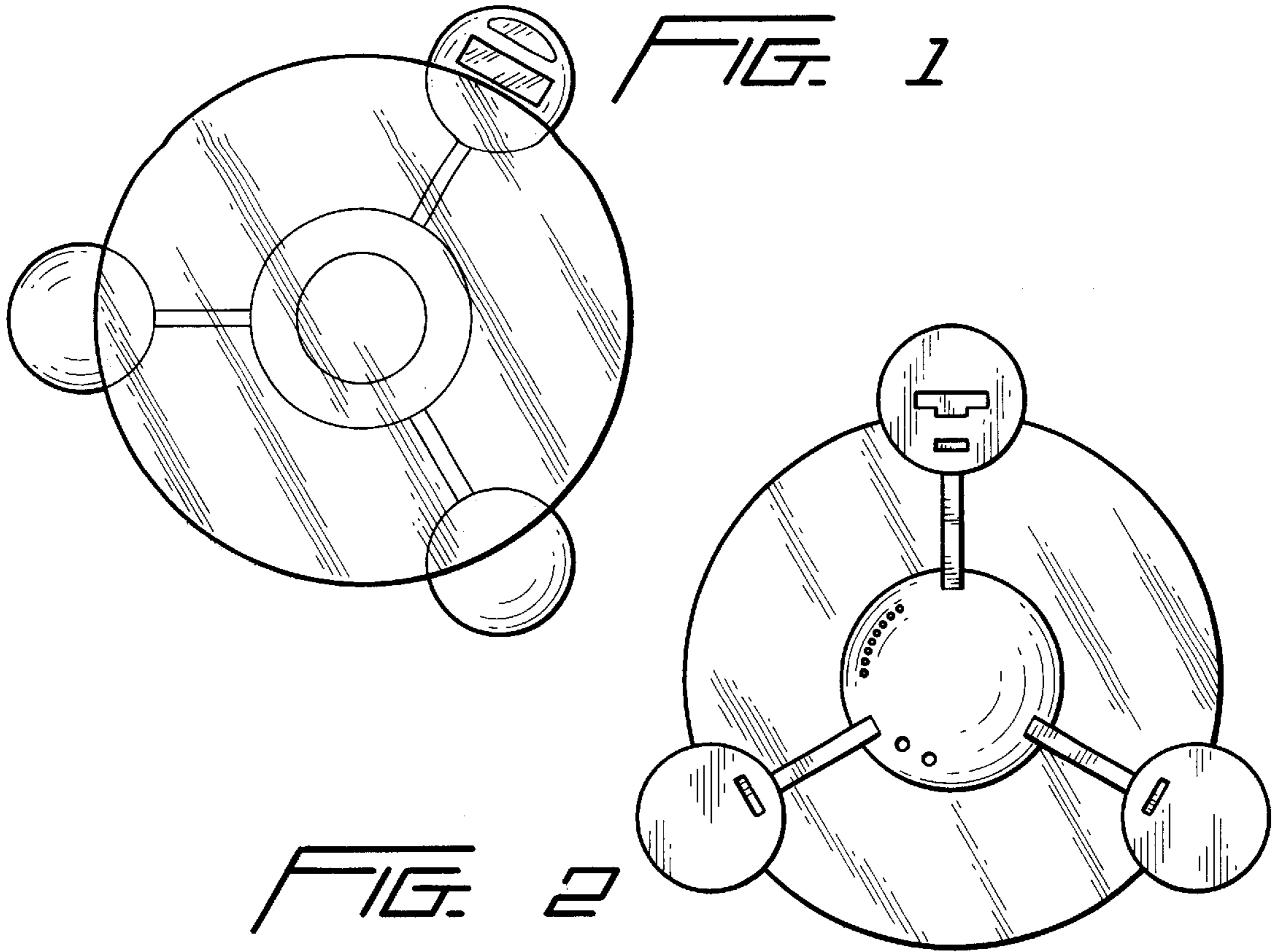
FIG. 4 is a front perspective view of the scale of FIGS. 1-3;

FIG. 5 is a rear elevation view of the scale of FIGS. 1-4; and,

FIG. 6 is a rear perspective view of the scale of FIGS. 1-5.

1 Claim, 2 Drawing Sheets





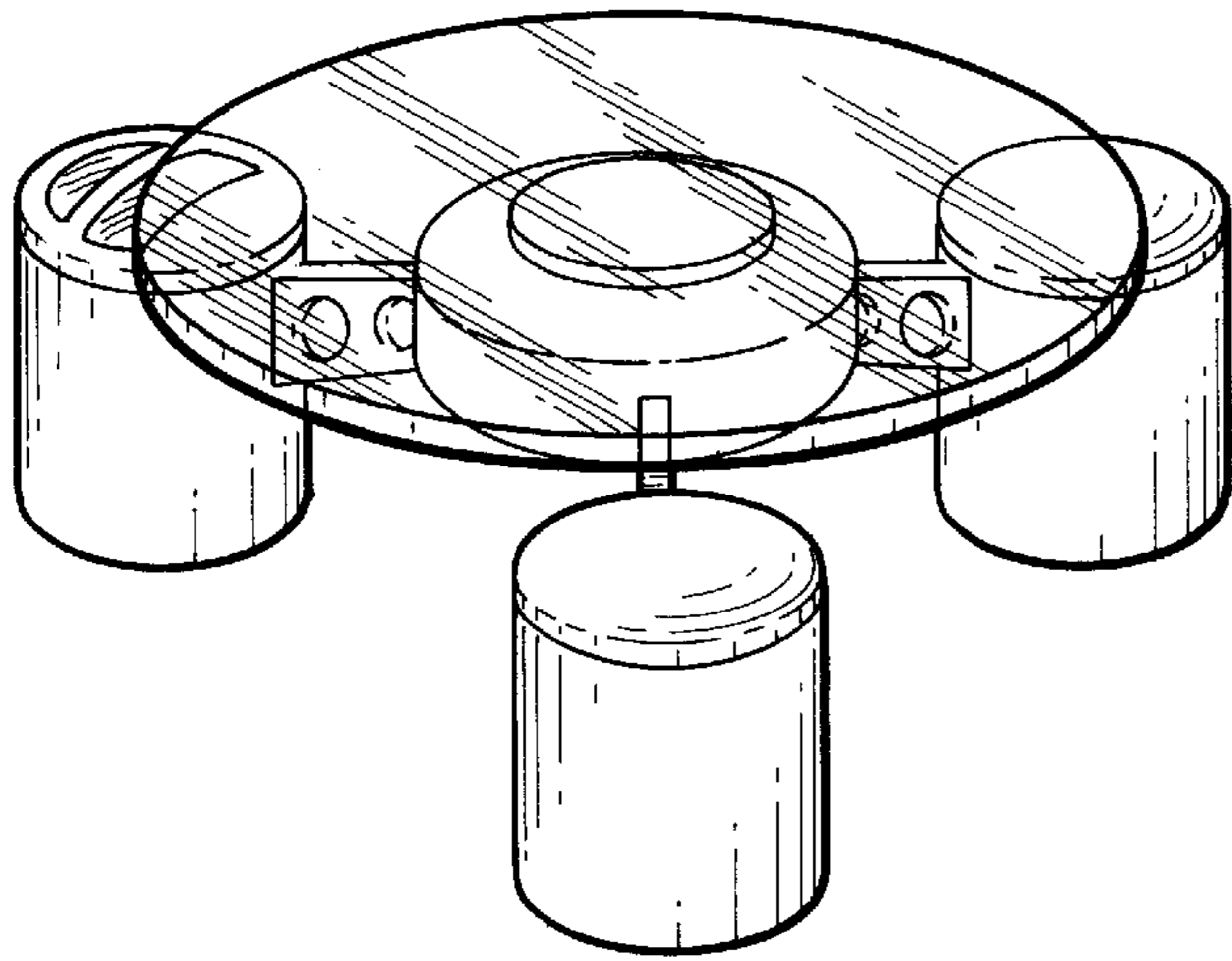


FIG. 5

FIG. 6

