



US00D452659B1

(12) **United States Design Patent**
Harju et al.

(10) **Patent No.:** **US D452,659 S**

(45) **Date of Patent:** **** Jan. 1, 2002**

(54) **CLAMP METER**

(75) Inventors: **Rey P. Harju**, Fullerton, CA (US);
James L. Gregorec, Jr., Sycamore, IL
(US); **David Hines**, Santa Ana, CA
(US)

(73) Assignee: **Ideal Industries, Inc.**, Sycamore, IL
(US)

(**) Term: **14 Years**

(21) Appl. No.: **29/136,451**

(22) Filed: **Jan. 31, 2001**

(51) **LOC (7) Cl.** **10-04**

(52) **U.S. Cl.** **D10/79**

(58) **Field of Search** D10/79; 324/99 D,
324/115-117, 126-130, 142, 143, 149,
156, 158 F, 158 P

(56) **References Cited**

U.S. PATENT DOCUMENTS

D440,892 S * 4/2001 Kuramoto D10/79

* cited by examiner

Primary Examiner—Antoine Duval Davis
(74) *Attorney, Agent, or Firm*—Cook, Alex, McFarron,
Manzo, Cummings & Mehler, Ltd.

(57) **CLAIM**

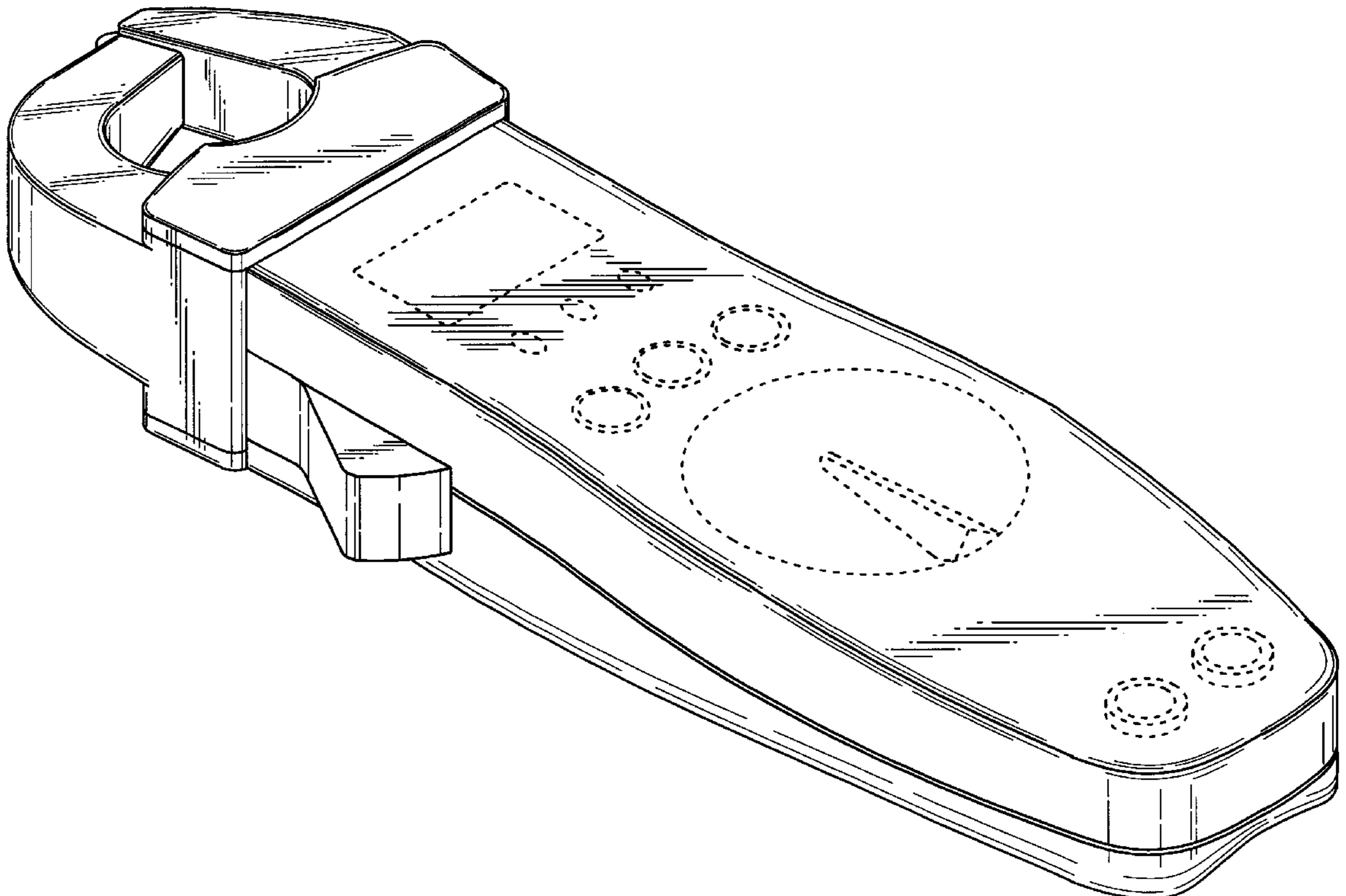
The ornamental design for a clamp meter, as shown and described.

DESCRIPTION

FIG. 1 is a perspective view of the clamp meter.
FIG. 2 is a front perspective view of the clamp meter.
FIG. 3 is a rear elevation view of the clamp meter.
FIG. 4 is a left side elevation view of the clamp meter.
FIG. 5 is a right side elevation view of the clamp meter.
FIG. 6 is a top plan view of the clamp meter; and,
FIG. 7 is a bottom plan view of the clamp meter.

The broken line showings of a display screen, LED indicators, pushbuttons, function selector dial and test lead jacks, as best seen in FIGS. 1 and 2, are for illustrative purposes only and form no part of the claimed design. The broken line showing of screw holes, as seen in FIG. 3, is for illustrative purposes only and forms no part of the claimed design.

1 Claim, 3 Drawing Sheets



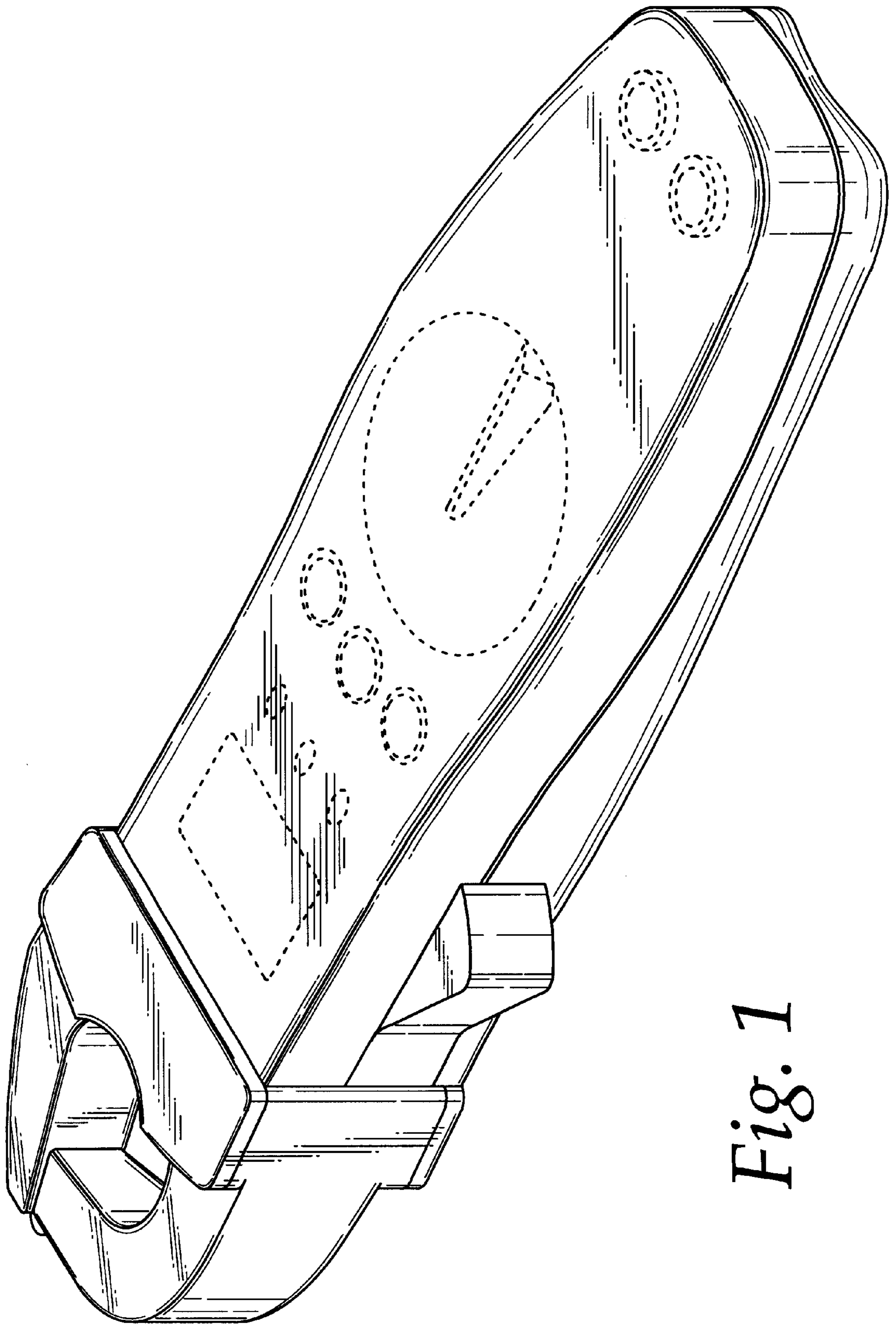


Fig. 1

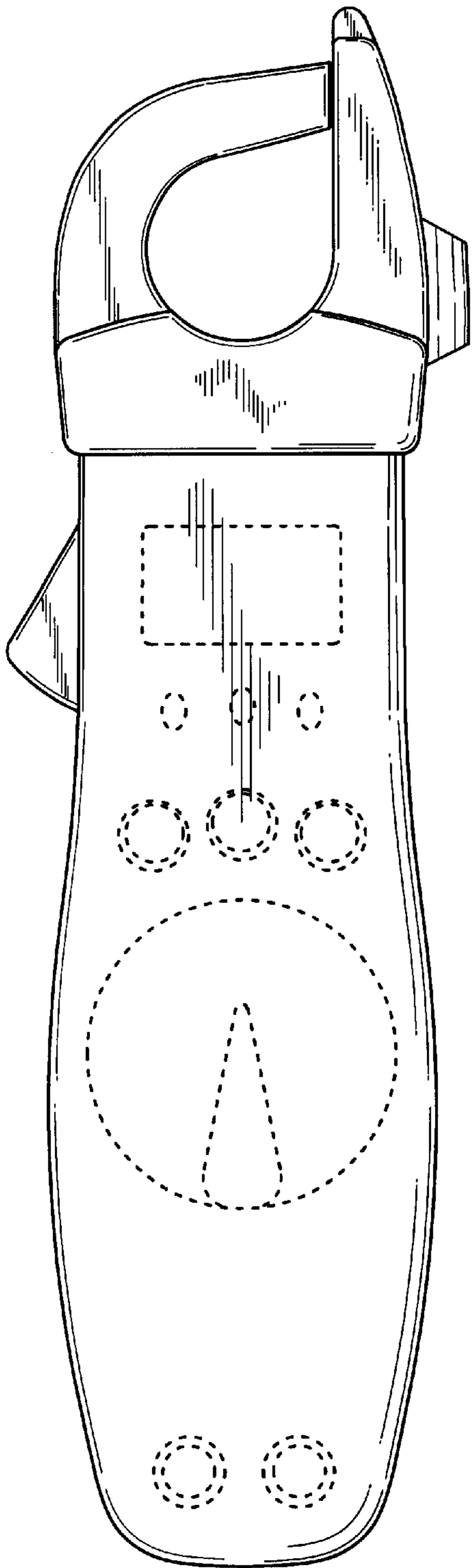


Fig. 2

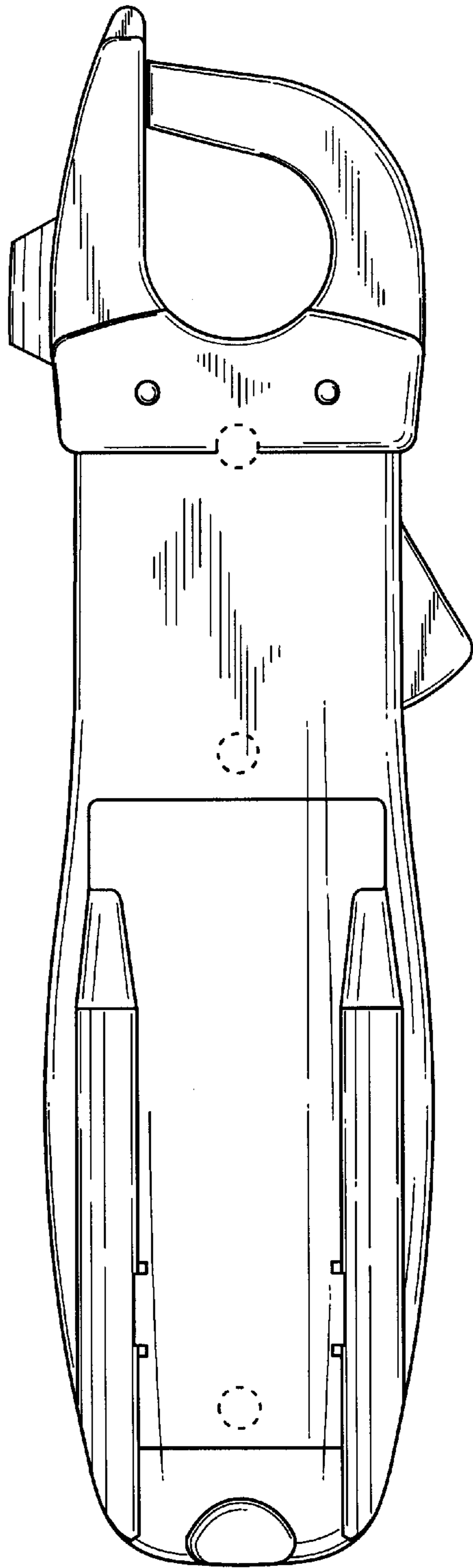


Fig. 3

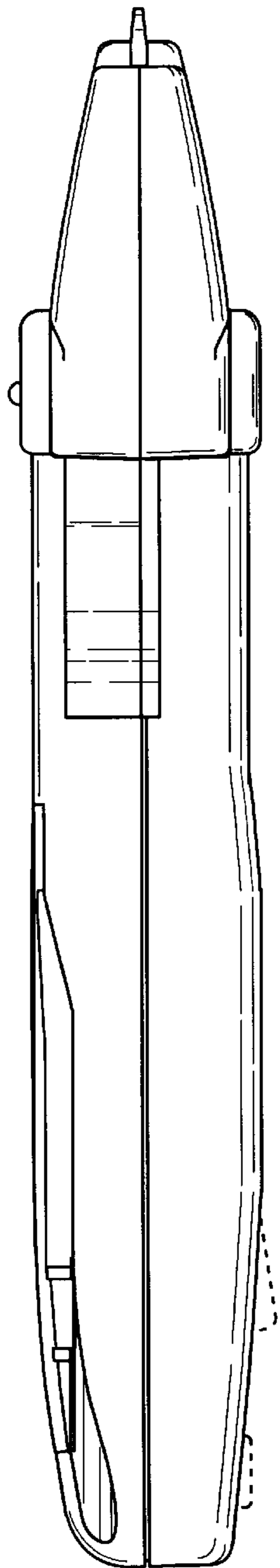


Fig. 4

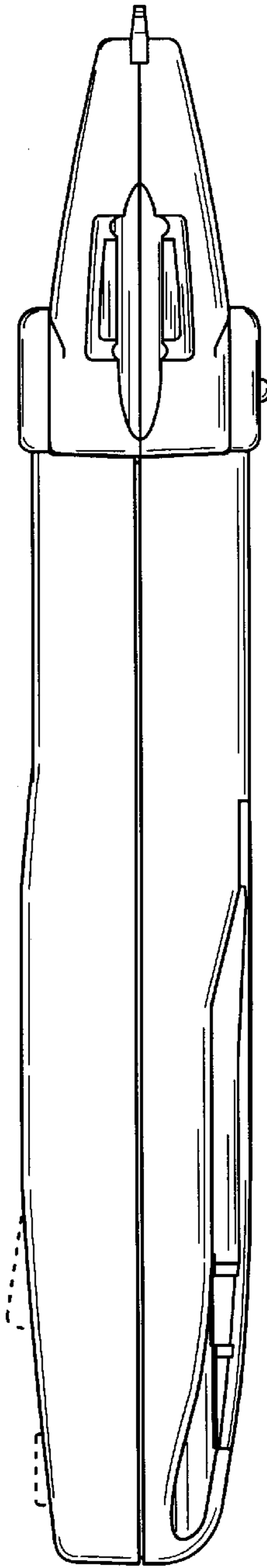


Fig. 5

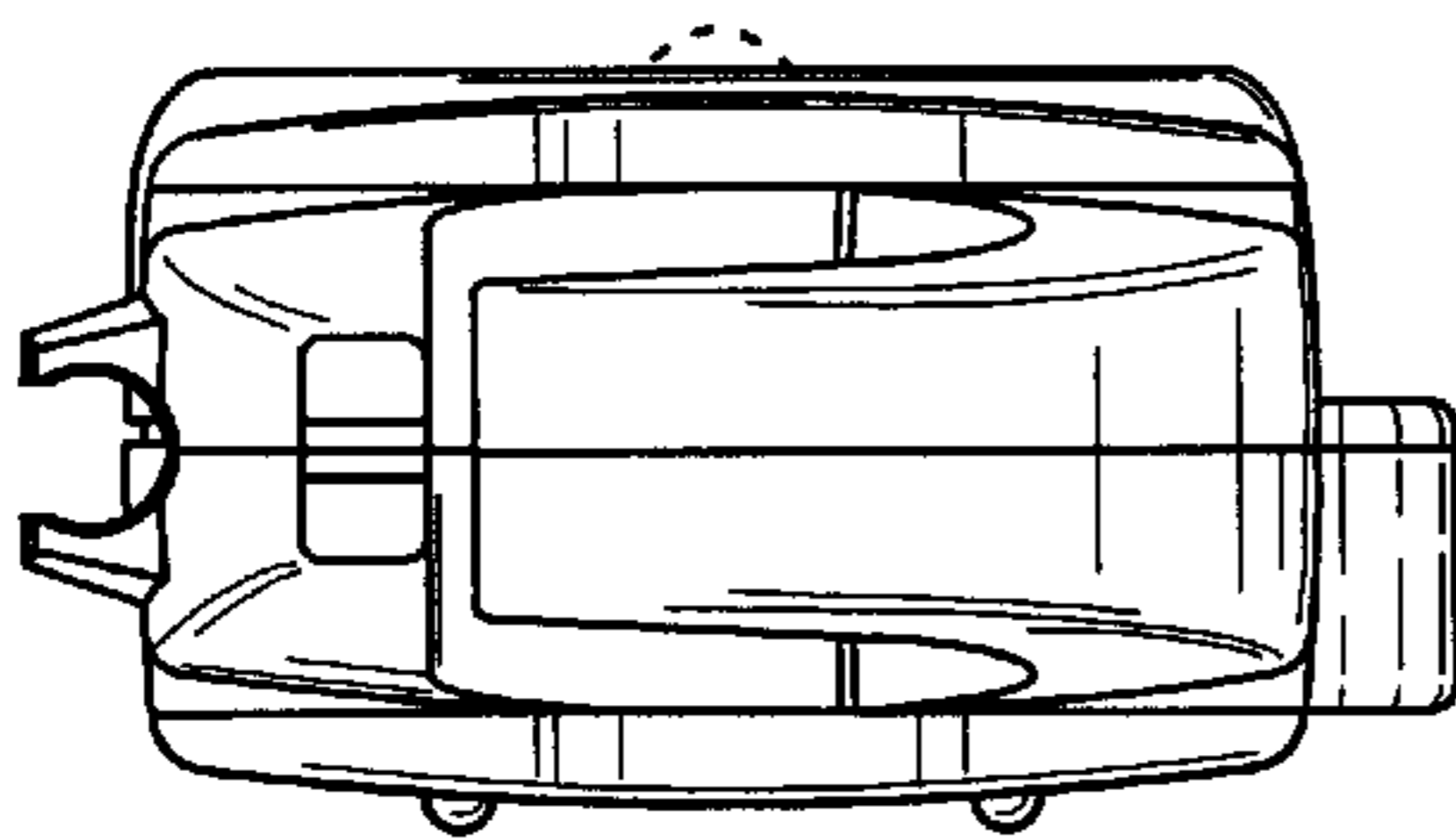


Fig. 6

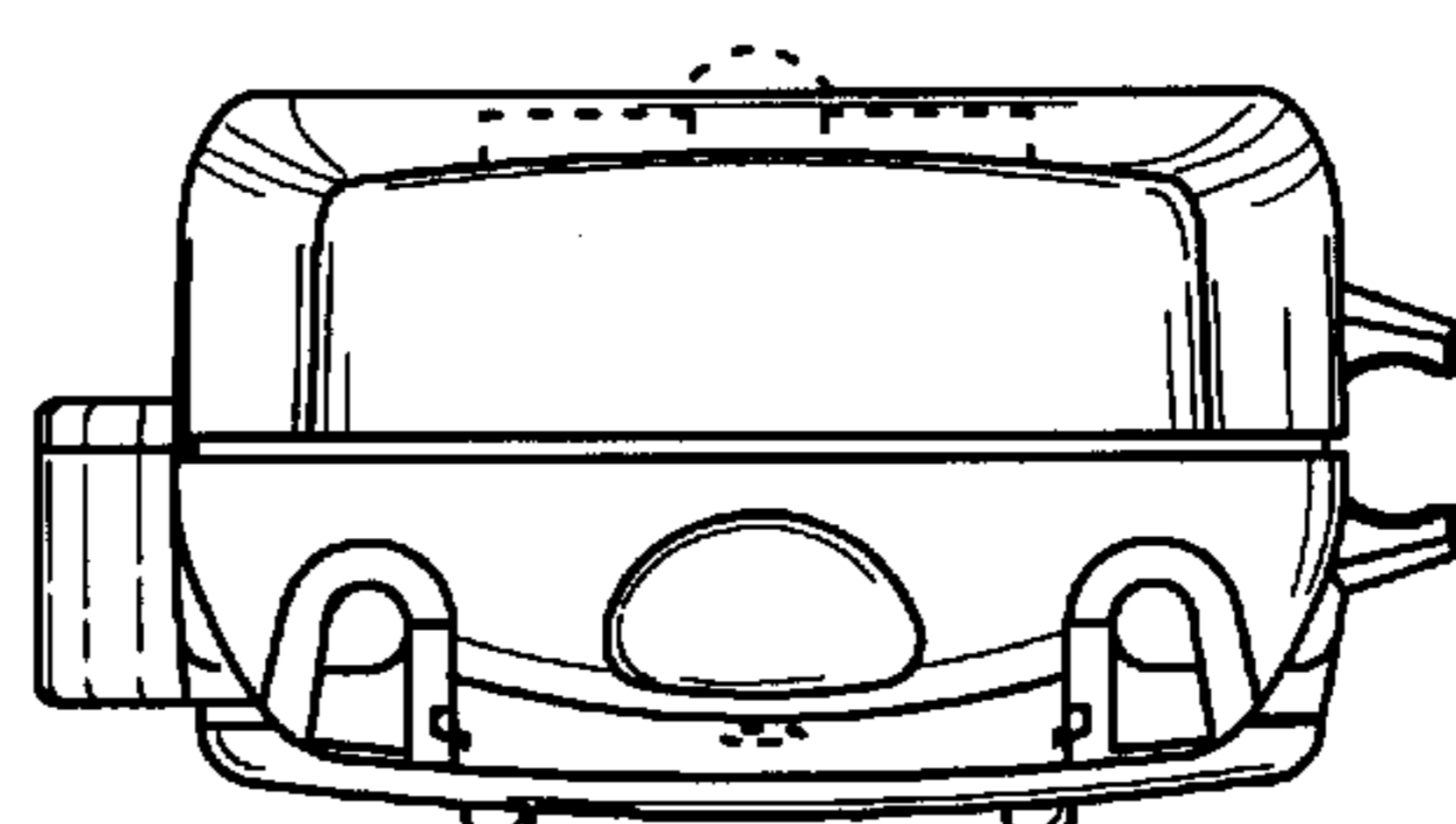


Fig. 7