



US00D452655B1

(12) **United States Design Patent**
Considine

(10) **Patent No.:** **US D452,655 S**

(45) **Date of Patent:** **** Jan. 1, 2002**

(54) **GLASS BOTTLE**

(75) **Inventor:** **Ralph J. Considine**, Vernon Hills, IL
(US)

(73) **Assignee:** **Berlin Packaging, Inc.**, Chicago, IL
(US)

(**) **Term:** **14 Years**

(21) **Appl. No.:** **29/127,049**

(22) **Filed:** **Jul. 28, 2000**

(51) **LOC (7) Cl.** **09-01**

(52) **U.S. Cl.** **D9/556; D9/558; D9/571**

(58) **Field of Search** D9/300, 301, 434,
D9/500, 502, 516, 538, 539, 545, 556-558,
574, 559, 569; 215/381-384, 396, 398;
222/213, 215, 206

(56) **References Cited**

U.S. PATENT DOCUMENTS

D20,656 S	*	3/1891	Dawes	D9/545
D22,058 S	*	12/1892	Rockwood et al.	D9/545
D27,906 S	*	11/1897	Levis	D9/545
D35,668 S	*	2/1902	Taussig	D9/544
D78,729 S	*	6/1929	Coster	D9/563
D112,190 S	*	11/1938	Bireley	D9/540
D114,763 S	*	5/1939	Meyer	D9/554

D167,213 S	*	7/1952	Lapin	D9/300
D176,487 S	*	12/1955	Sherman	D9/556
D200,603 S	*	3/1965	Petitlo	D9/538
D223,019 S	*	2/1972	Strand	D9/545
D258,566 S	*	3/1981	Potter	D9/538
D384,888 S	*	10/1997	Diekhoff	D9/500
D407,648 S	*	4/1999	Glaser et al.	D9/500
D414,414 S	*	9/1999	Larson et al.	D9/434

* cited by examiner

Primary Examiner—Philip S. Hyder

Assistant Examiner—Carol Rademaker

(74) *Attorney, Agent, or Firm*—Piper Marbury Rudnick & Wolfe

(57) **CLAIM**

The ornamental design for a glass bottle, as shown and described.

DESCRIPTION

FIG. 1 is a side elevational view of a glass bottle embodying my new design;

FIG. 2 is a top plan view of the glass bottle of FIG. 1; and,

FIG. 3 is a bottom plan view of the glass bottle of FIG. 1.

The broken line showing of threads in FIG. 1 is for illustrative purposes only and forms no part of the claimed design.

1 Claim, 1 Drawing Sheet

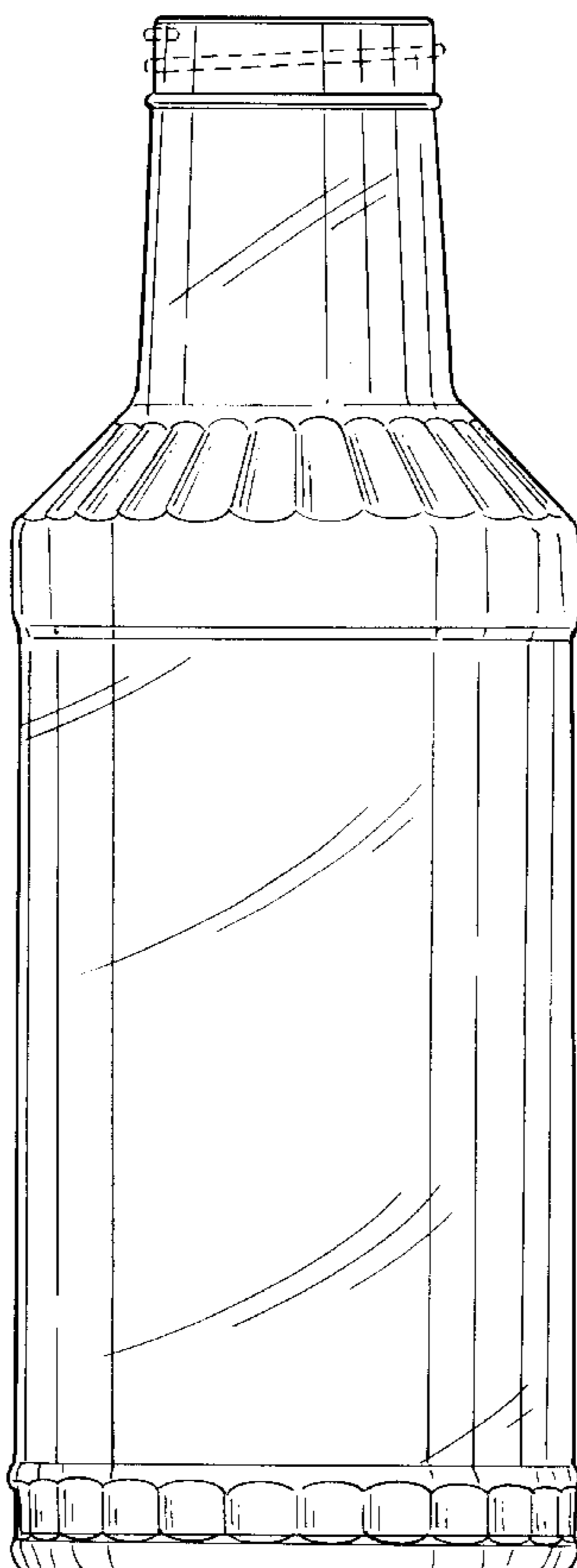


FIG. 1

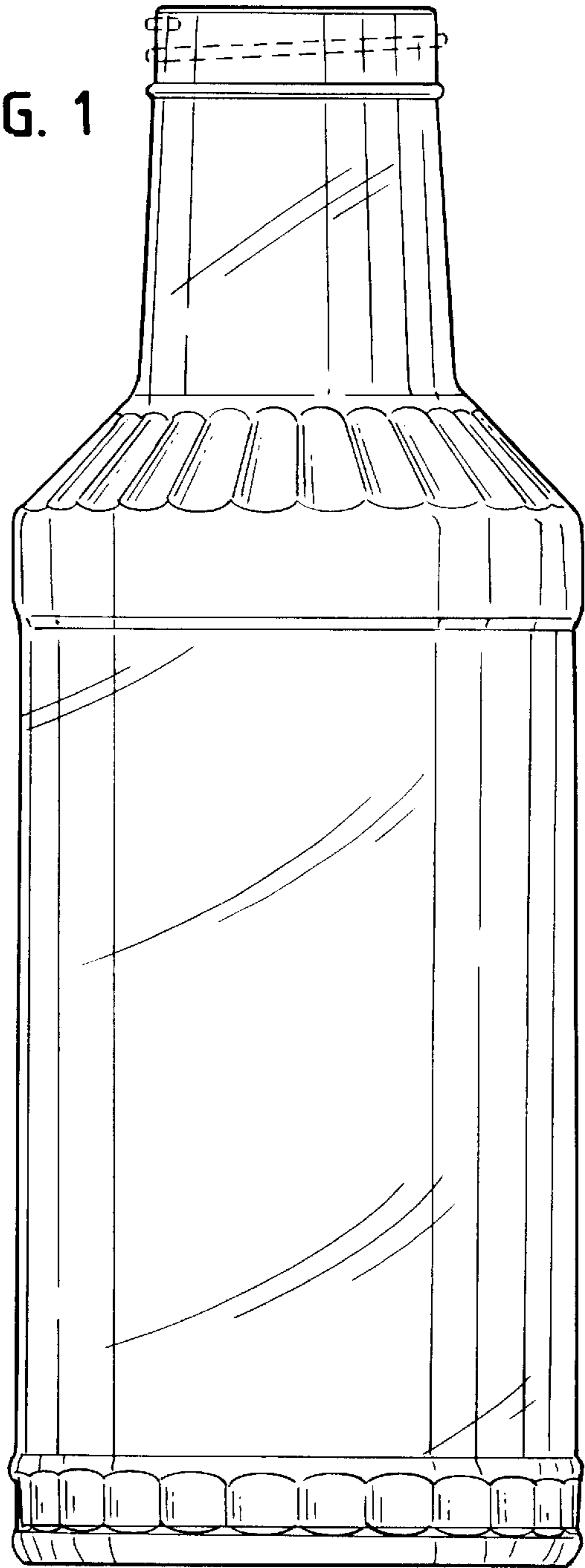


FIG. 2

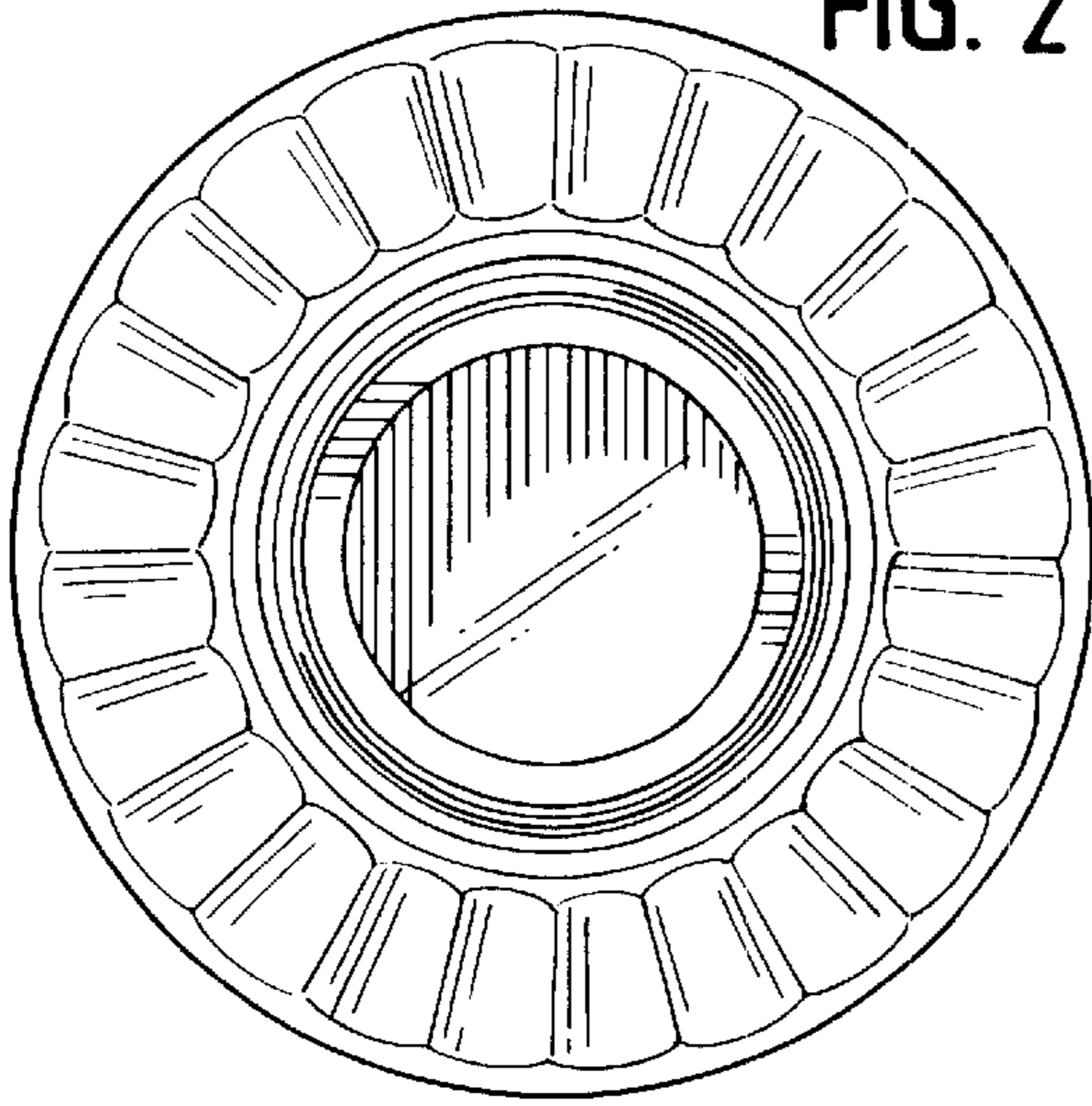


FIG. 3

