



US00D452653B1

(12) **United States Design Patent**  
**Boshuizen et al.**

(10) **Patent No.:** **US D452,653 S**  
(45) **Date of Patent:** **\*\* Jan. 1, 2002**

(54) **FOAM DISPENSER**  
(75) Inventors: **Sylvia Boshuizen**, Leiden; **Edgar van der Heijden**, Broek op Langedijk, both of (NL)

5,385,303 A \* 1/1995 Gosselin et al. .... 222/153.1  
D413,257 S \* 8/1999 Favre ..... D9/300  
D418,793 S \* 9/1999 Favre ..... D9/300  
D418,746 S \* 1/2000 Featherston et al. .... D9/300  
6,065,647 A \* 5/2000 Bliss, III et al. .... 222/153.02  
D437,224 S \* 2/2001 Brozell ..... D9/448

(73) Assignee: **Airspray International BV** (NL)

\* cited by examiner

(\*\*) Term: **14 Years**

*Primary Examiner*—Cathron C. Brooks

(21) Appl. No.: **29/129,821**

(74) *Attorney, Agent, or Firm*—Brooks & Kushman P.C.

(22) Filed: **Sep. 21, 2000**

(57) **CLAIM**

(30) **Foreign Application Priority Data**

The ornamental design for the foam dispenser, as shown and described.

Mar. 22, 2000 (BX) ..... 76920-01/03

**DESCRIPTION**

(51) **LOC (7) Cl.** ..... **09-07**

FIG. 1 is a side elevation of the foam dispenser with the canister;

(52) **U.S. Cl.** ..... **D9/448**

FIG. 2 is a top view of the foam dispenser of FIG. 1;

(58) **Field of Search** ..... D9/300, 445, 447, D9/448; 222/153.1, 153.11, 153.12, 153.13, 153.14, 320, 321.1, 321.6, 321.7, 321.8, 321.9

FIG. 3 is a rear view of the foam dispenser;

FIG. 4 is a side view of the foam dispenser; and,

FIG. 5 is a front view of the foam dispenser.

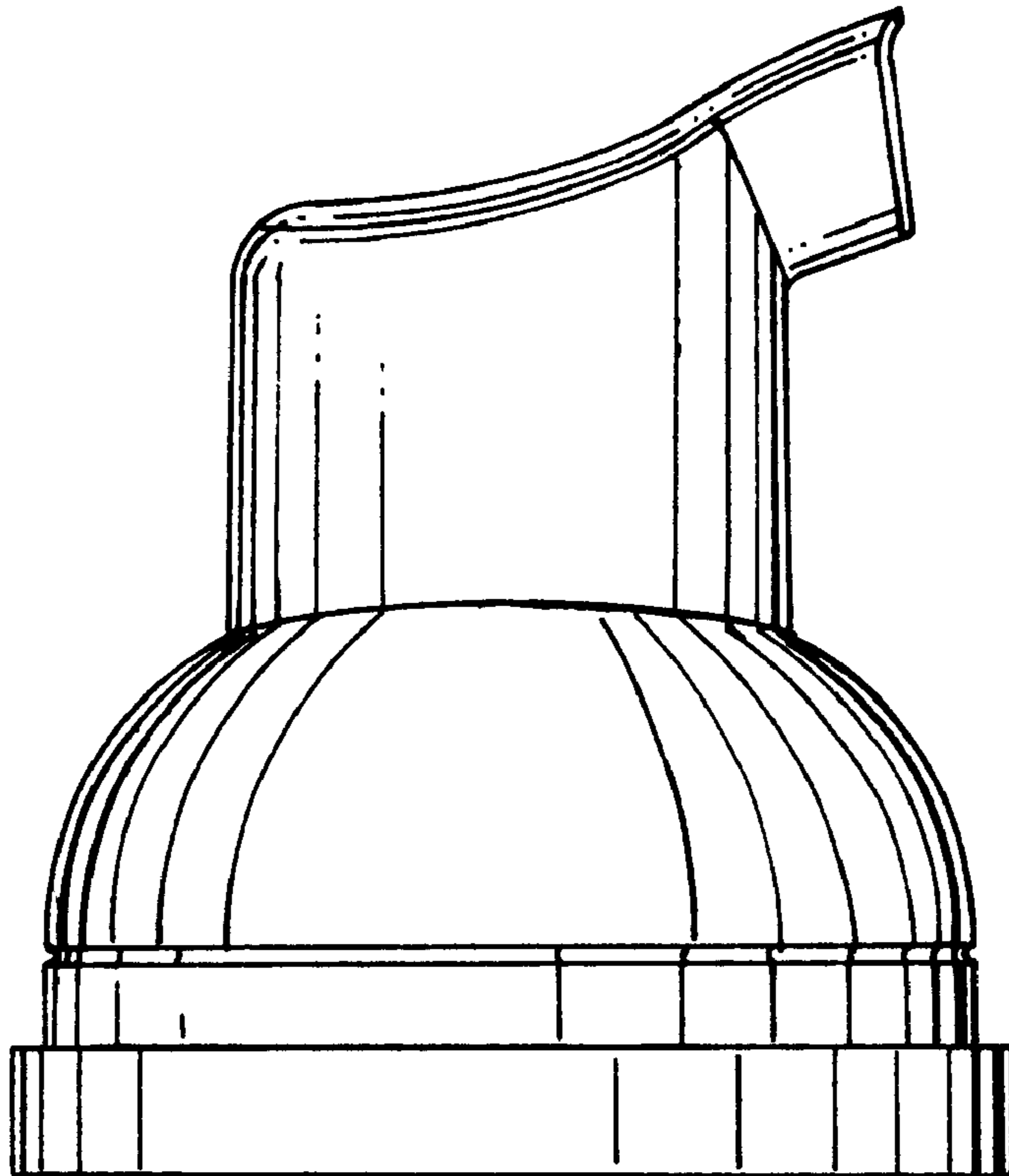
(56) **References Cited**

The broken line showing of a canister is for illustrative purposes only and forms no part of the claimed design.

**U.S. PATENT DOCUMENTS**

1,403,637 A \* 1/1922 Rhodes ..... 215/228

**1 Claim, 2 Drawing Sheets**



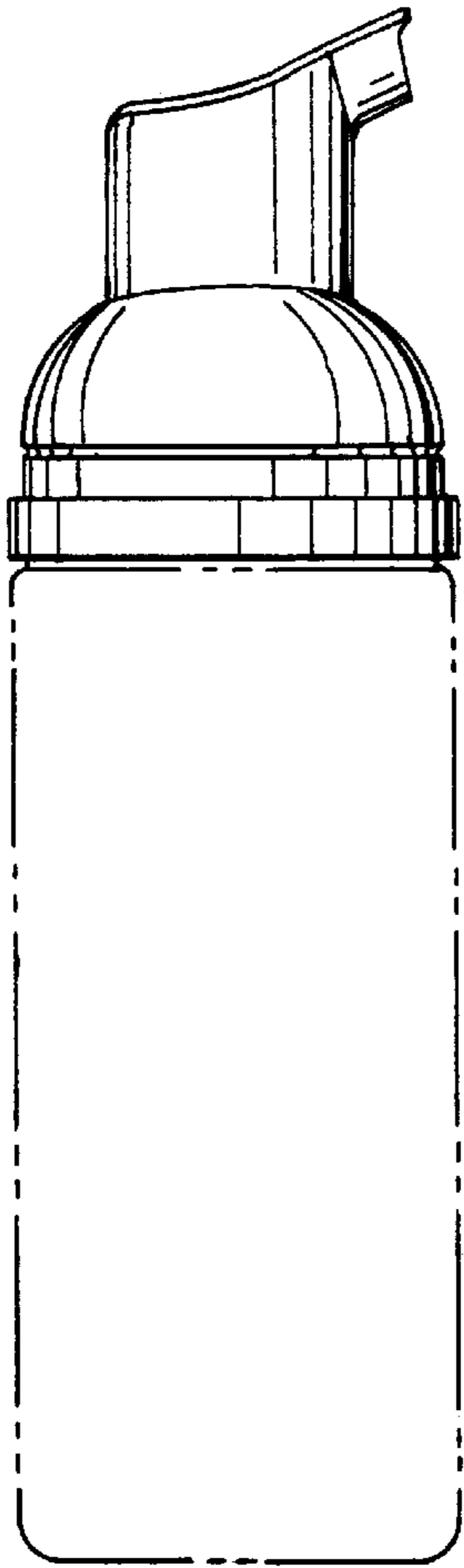


FIG. 1

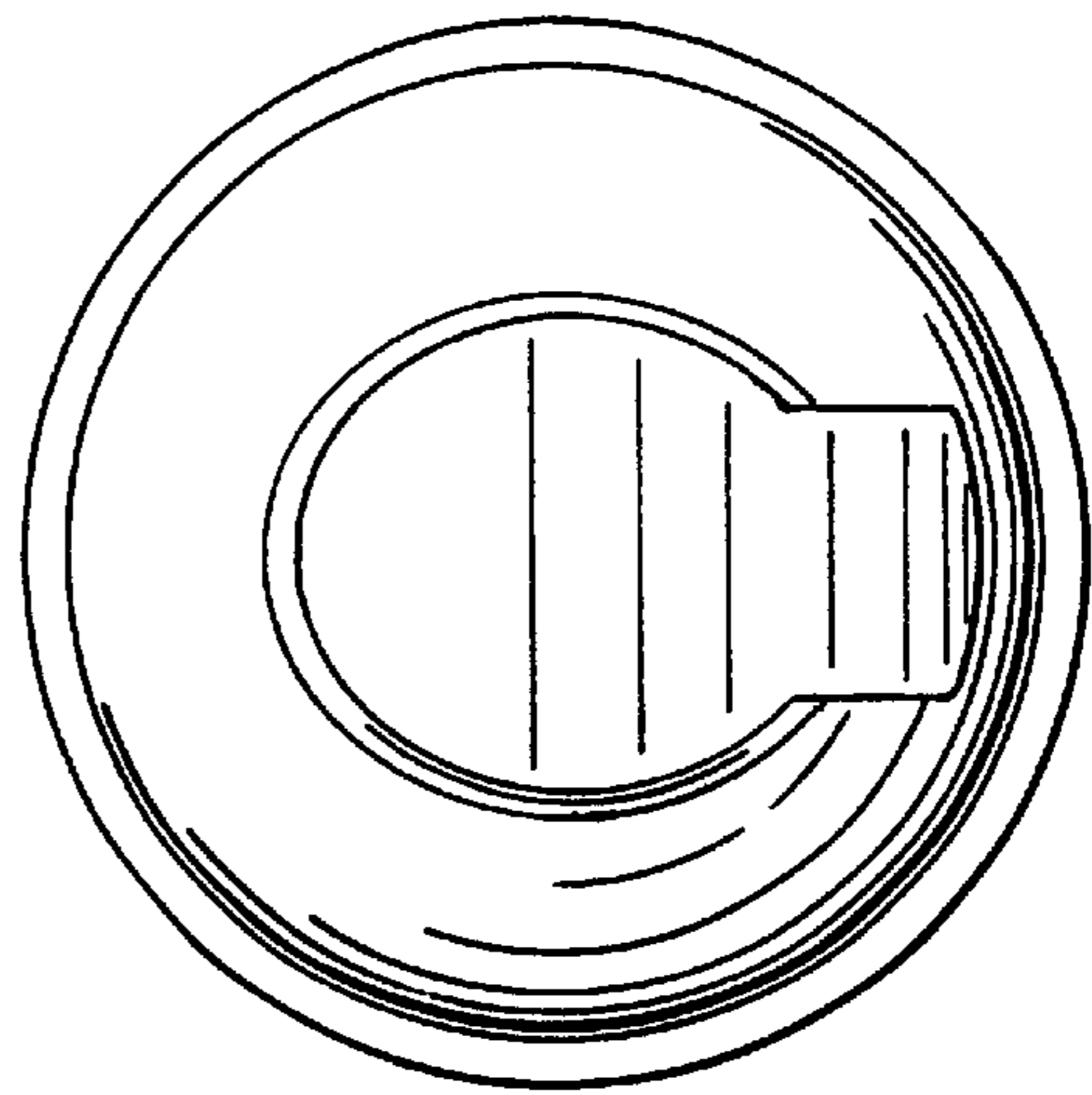


FIG. 2

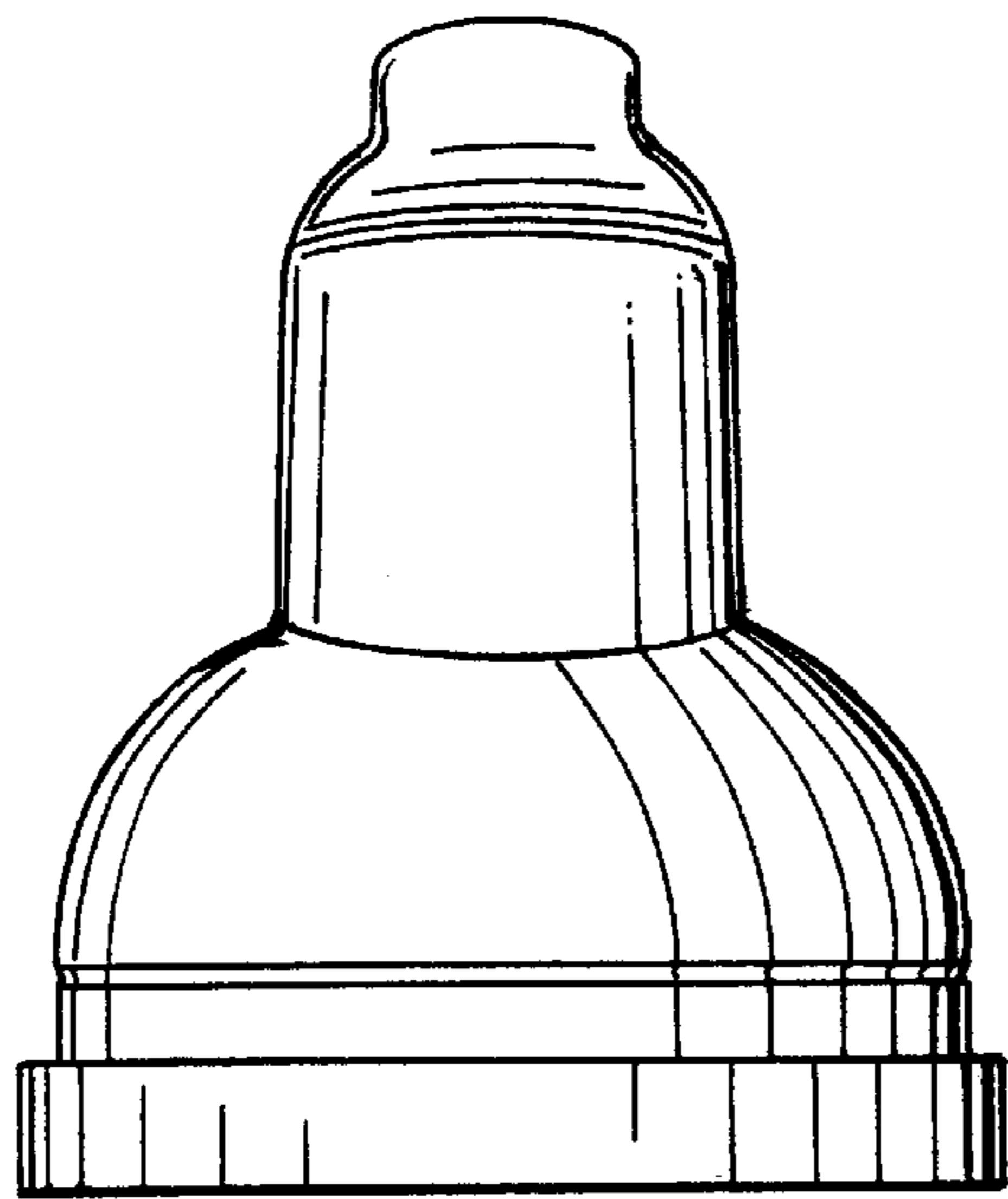


FIG. 3

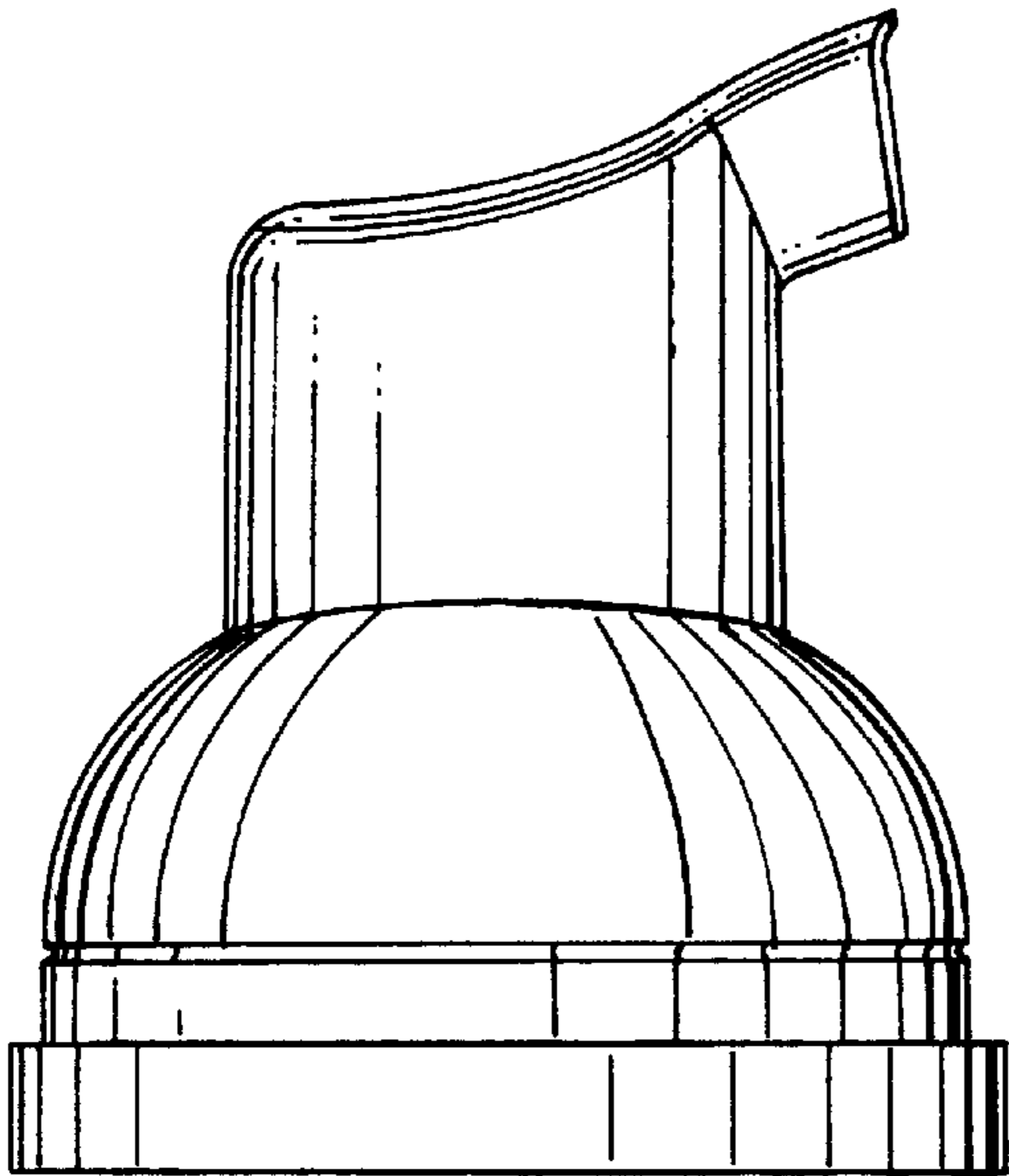


FIG. 4

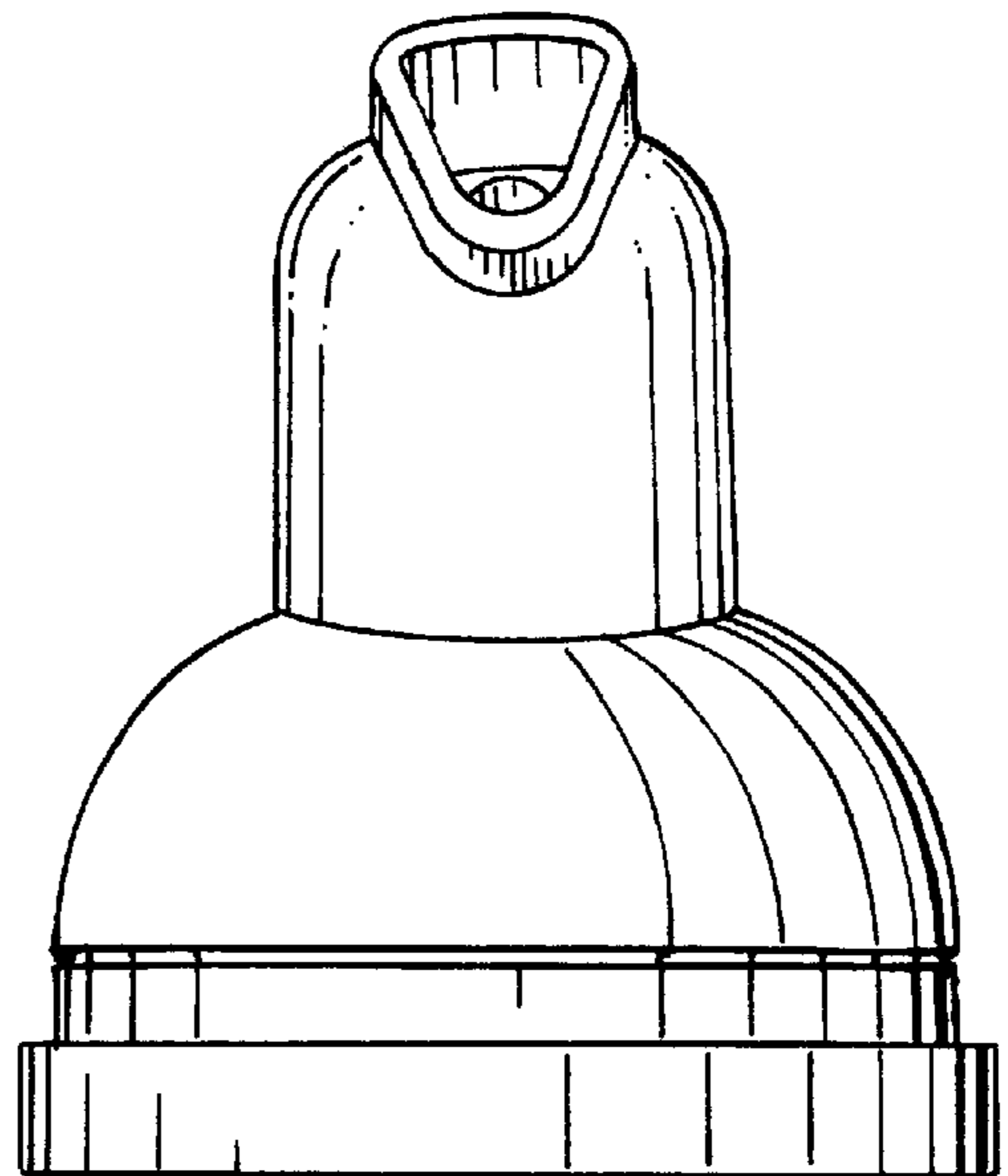


FIG. 5