



US00D452652B1

(12) **United States Design Patent**
Atkin et al.

(10) **Patent No.:** **US D452,652 S**
(45) **Date of Patent:** **** Jan. 1, 2002**

(54) **SPOUT**

(75) Inventors: **Edward Atkin**, London; **Roger Leonard Williams**, Hertfordshire, both of (GB)

(73) Assignee: **Cannon Rubber Limited**, London (GB)

(**) Term: **14 Years**

(21) Appl. No.: **29/129,917**

(22) Filed: **Sep. 27, 2000**

(51) **LOC (7) Cl.** **09-07**

(52) **U.S. Cl.** **D9/447**

(58) **Field of Search** D9/434, 447; 222/566-573

(56) **References Cited**

U.S. PATENT DOCUMENTS

- D. 26,539 * 1/1897 Schram D9/447
- D. 101,991 * 11/1936 Humphrey D9/447

- D. 206,411 * 12/1966 Marotta D9/447
- D. 225,308 * 12/1972 Barefoot D9/453
- D. 234,123 * 1/1975 Regagli D9/447
- D. 372,426 * 8/1996 Garnett D9/447
- D. 435,791 * 1/2001 Roy D9/447

* cited by examiner

Primary Examiner—Dominic Simone

(74) *Attorney, Agent, or Firm*—McDermott, Will & Emery

(57) **CLAIM**

The ornamental design for a spout, as shown and described.

DESCRIPTION

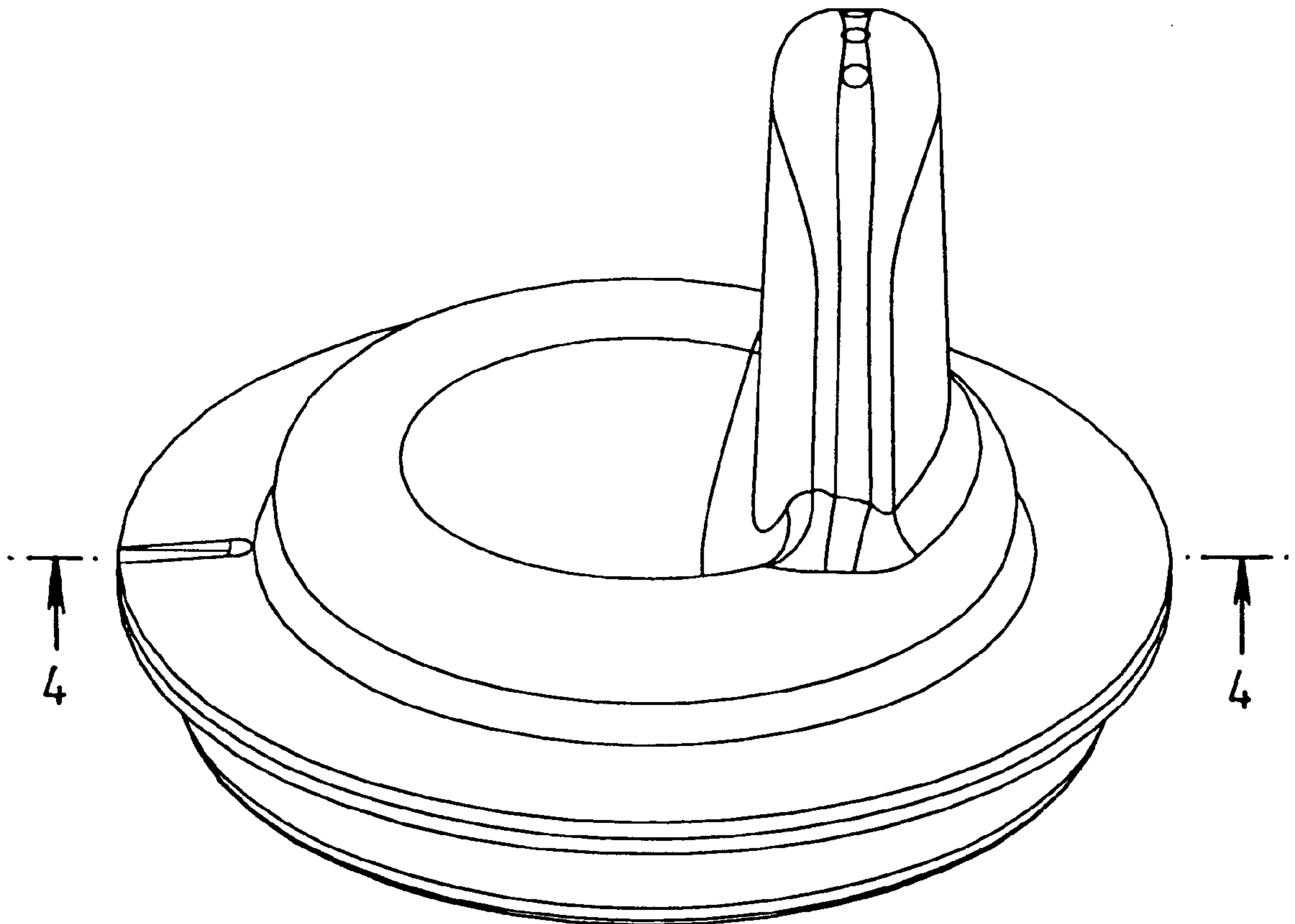
FIG. 1 is a perspective view from above of a spout, showing my new design, and an indication of the view from which section view 4—4 is depicted; and

FIG. 2 is a perspective view from below of said spout;

FIG. 3 is a side view of said spout; and,

FIG. 4 is a section view 4—4 of said spout taken along line 4—4 shown in FIG. 1.

1 Claim, 2 Drawing Sheets



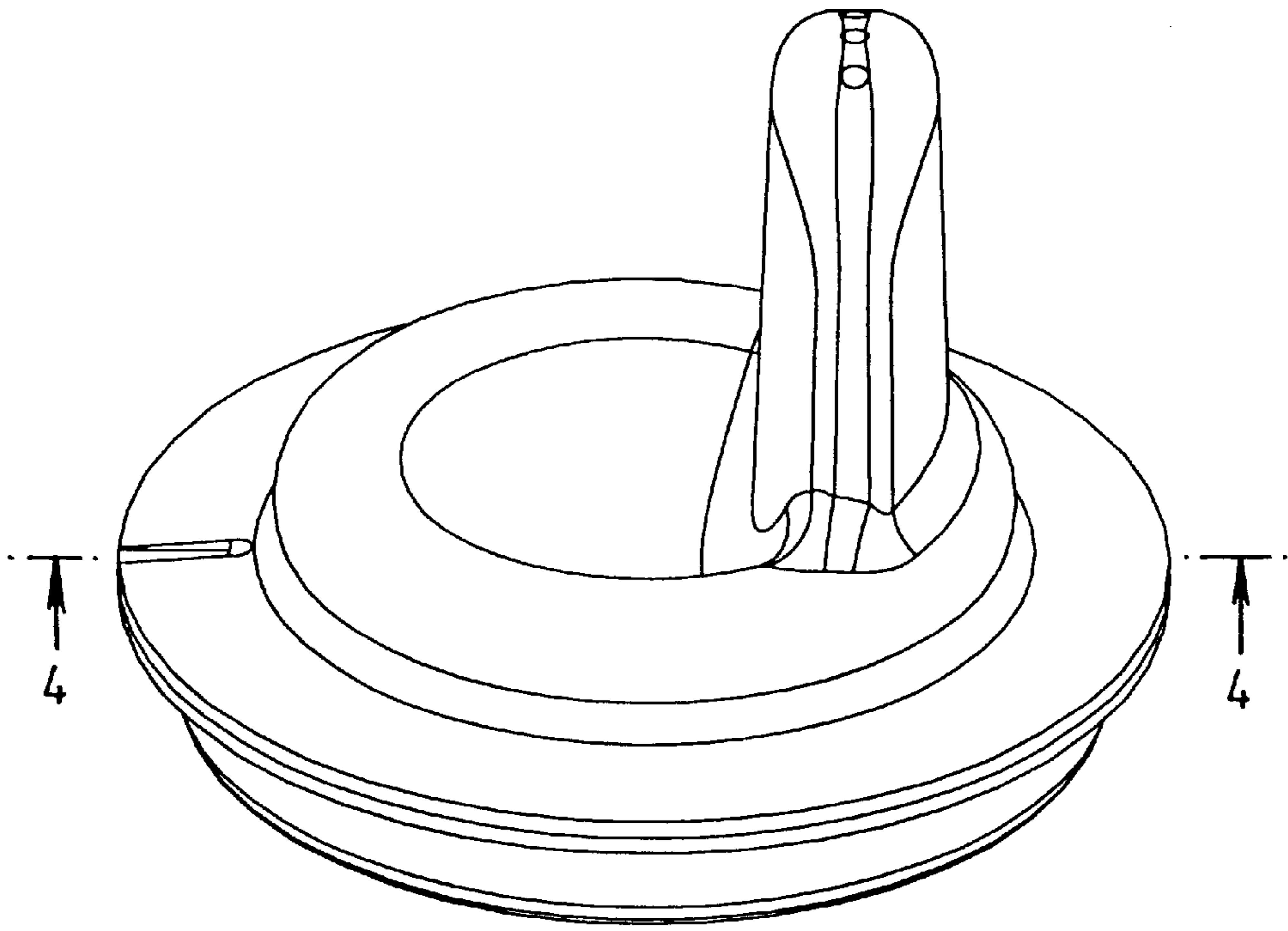


FIG. 1

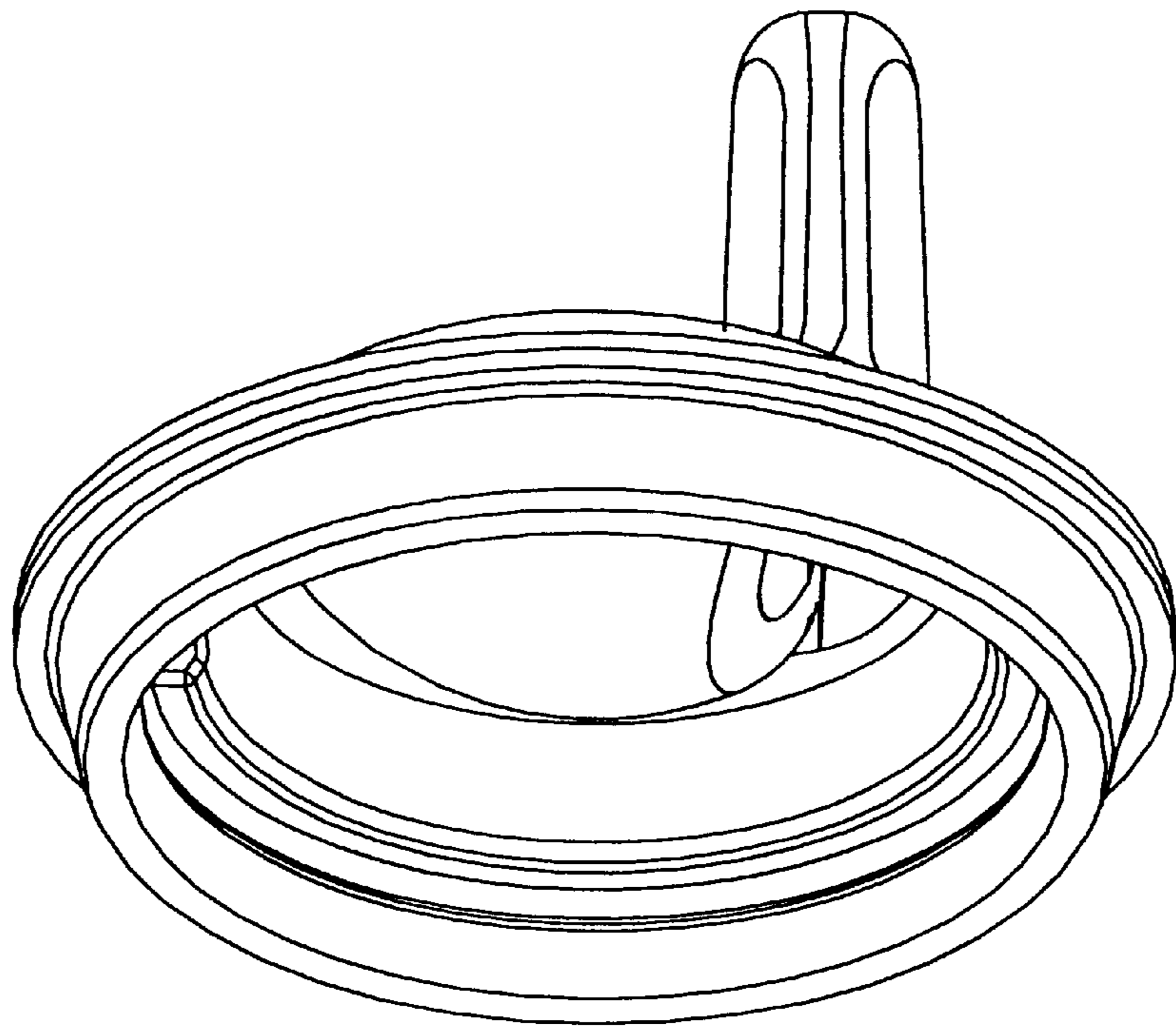


FIG. 2

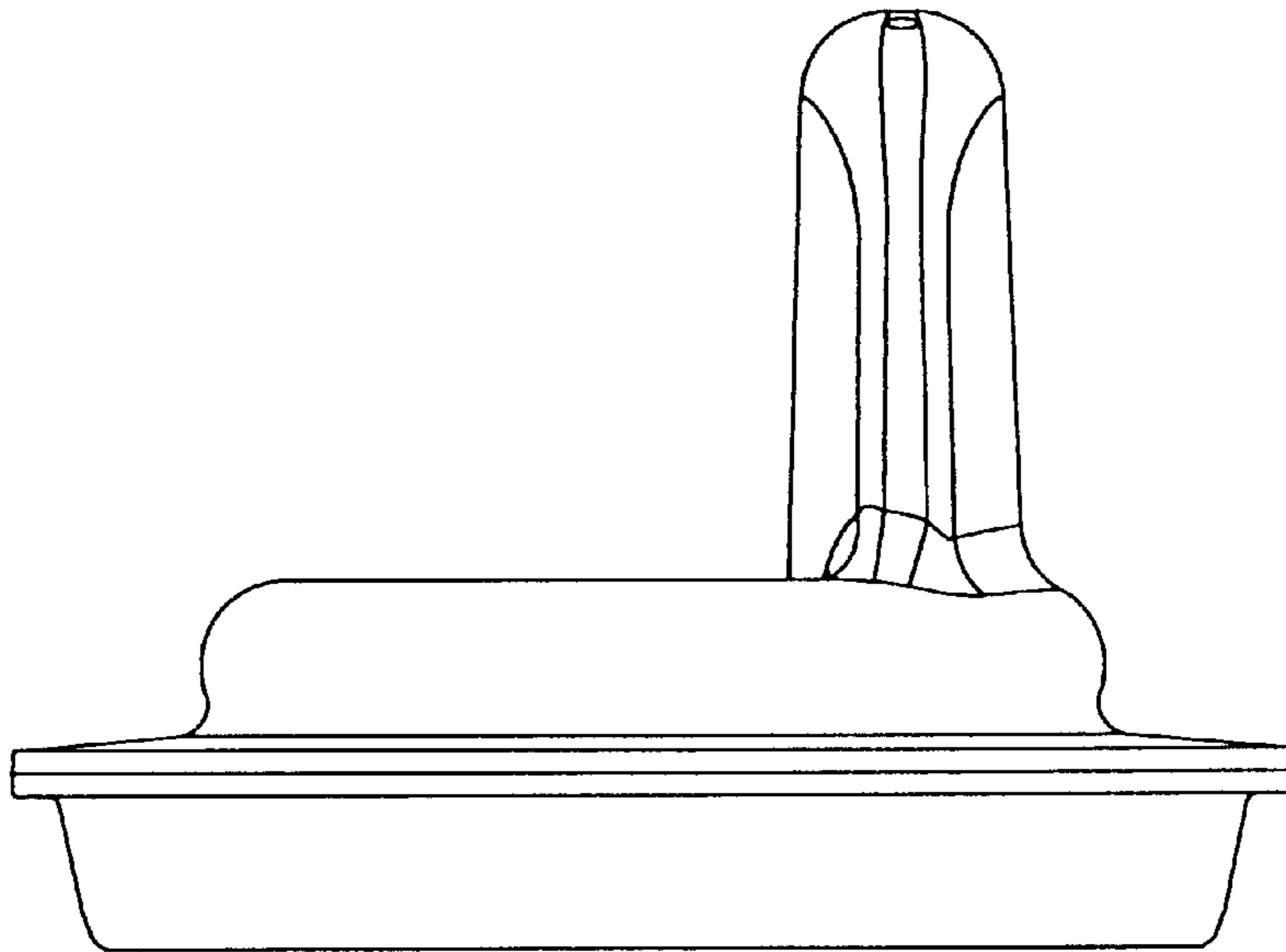


FIG. 3

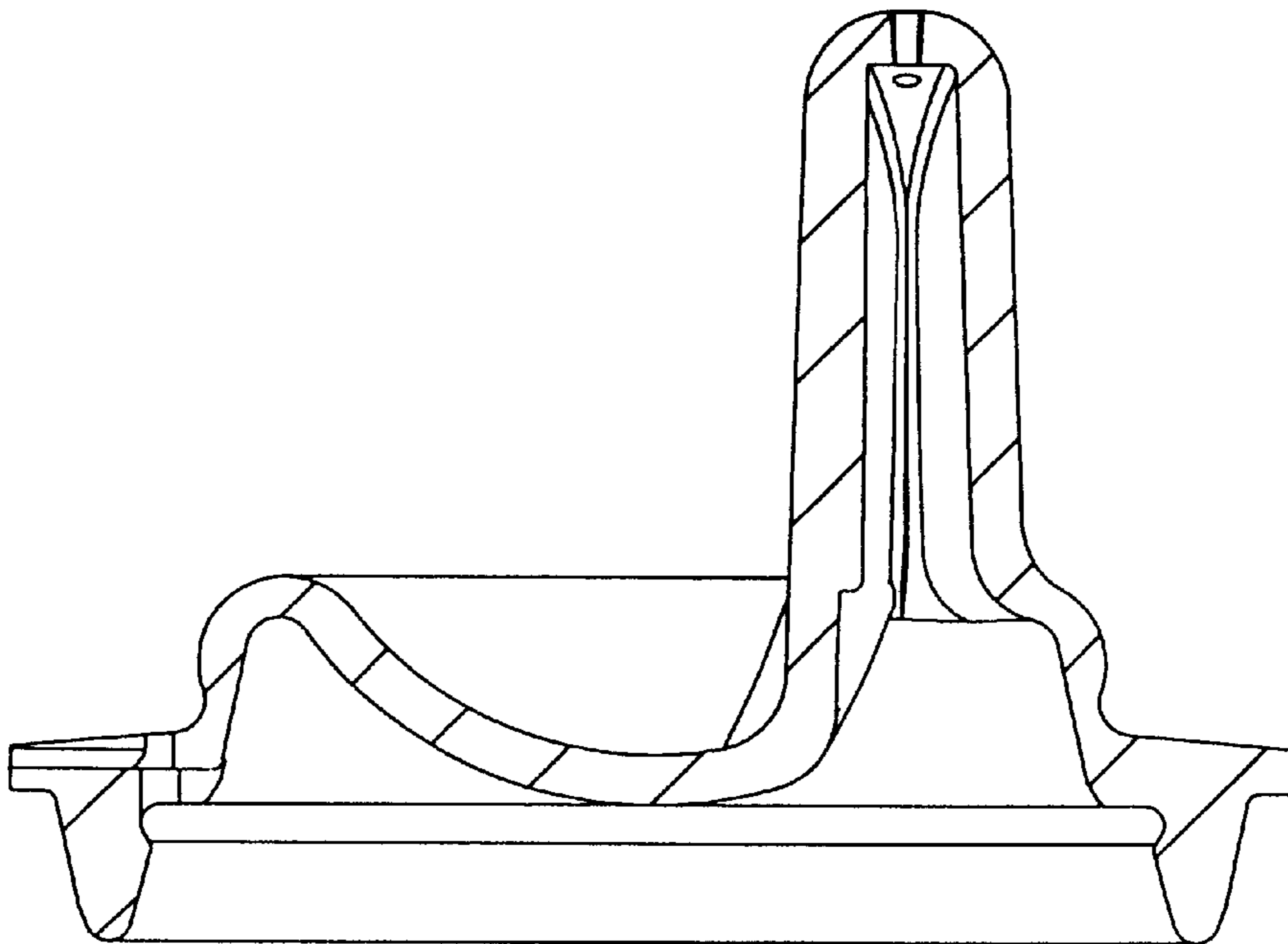


FIG. 4