



US00D452651B2

(12) **United States Design Patent**
Humphrey

(10) **Patent No.:** **US D452,651 S**

(45) **Date of Patent:** **** Jan. 1, 2002**

(54) **PACKAGE**

(75) **Inventor:** **Neill W. Humphrey**, El Dorado Hills, CA (US)

(73) **Assignee:** **Trade Source International**, El Dorado Hills, CA (US)

(**) **Term:** **14 Years**

(21) **Appl. No.:** **29/137,674**

(22) **Filed:** **Feb. 26, 2001**

Related U.S. Application Data

(62) Division of application No. 29/131,315, filed on Oct. 18, 2000, now Pat. No. Des. 442,858, which is a division of application No. 29/124,957, filed on Jun. 14, 2000, now Pat. No. Des. 436,858, which is a division of application No. 29/115,512, filed on Dec. 16, 1999, now Pat. No. Des. 438,102.

(51) **LOC (7) Cl.** **09-03**

(52) **U.S. Cl.** **D9/415; D9/418**

(58) **Field of Search** D9/415, 418, 337, D9/341, 346, 430; 206/461-471, 495, 320, 775-783, 756, 757, 765

(56) **References Cited**

U.S. PATENT DOCUMENTS

4,415,084 A * 11/1983 Hauson 206/783

4,531,637 A	*	7/1985	Cosmano	206/461
4,823,960 A	*	4/1989	Perlberg et al.	206/587
D309,262 S	*	7/1990	Coiner	D9/418
D321,323 S	*	11/1991	Nakamura	D9/415
5,765,693 A	*	6/1998	Gnadt et al.	206/763
5,890,593 A	*	4/1999	Humphrey	206/471
D414,108 S	*	9/1999	Humphrey	D9/415
D416,408 S	*	11/1999	Humphrey	D9/418

* cited by examiner

Primary Examiner—Prabhakar Deshmukh

(74) *Attorney, Agent, or Firm*—Oppenheimer Wolff & Donnelly LLP

(57) **CLAIM**

The ornamental design for a package, as shown and described.

DESCRIPTION

FIG. 1 is a front perspective view of a package showing my new design;

FIG. 2 is a front elevational view thereof;

FIG. 3 is a top plan view thereof; and,

FIG. 4 is a right side elevational view thereof, the left side being a mirror image thereof.

1 Claim, 2 Drawing Sheets

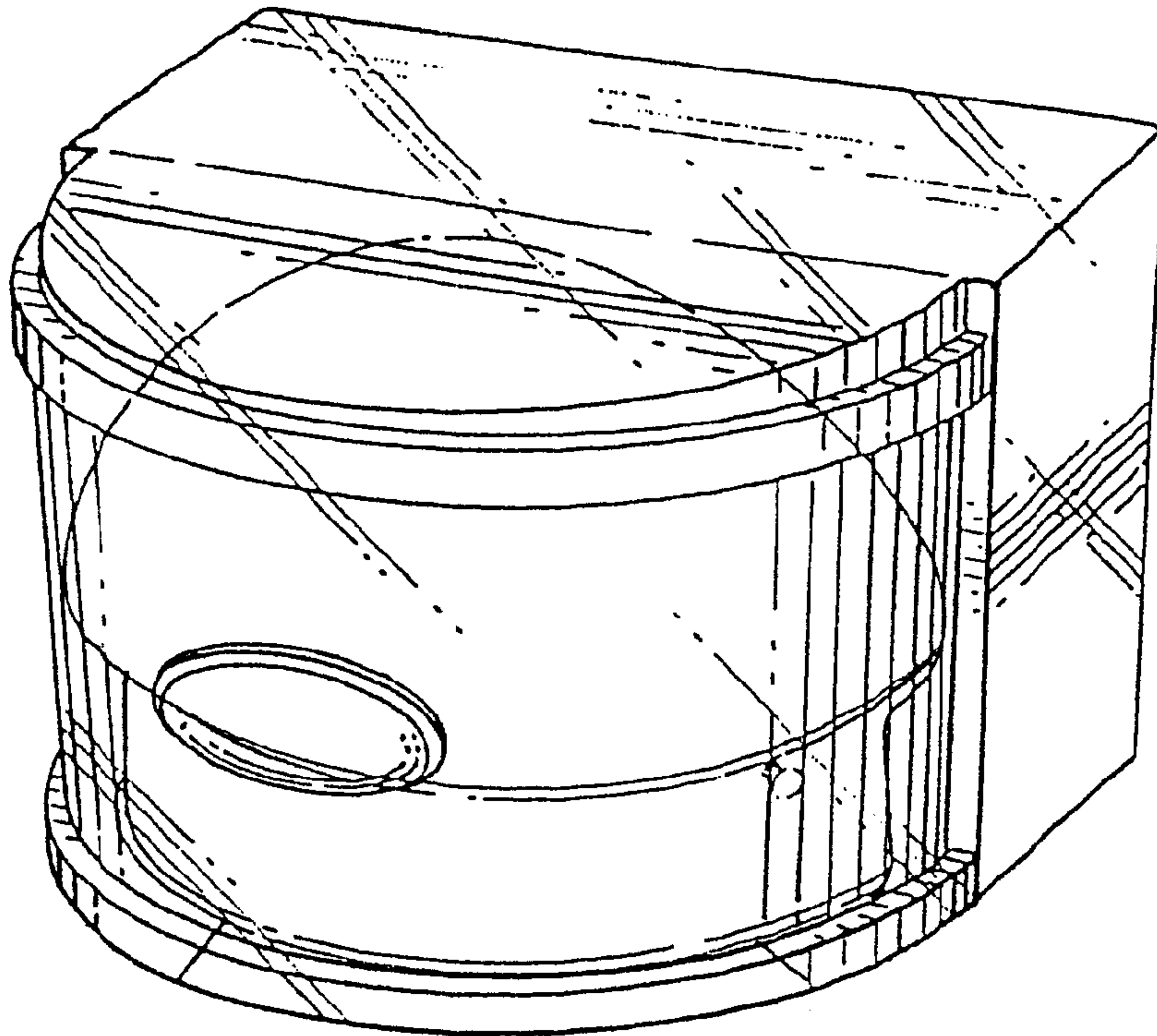


FIG. 1

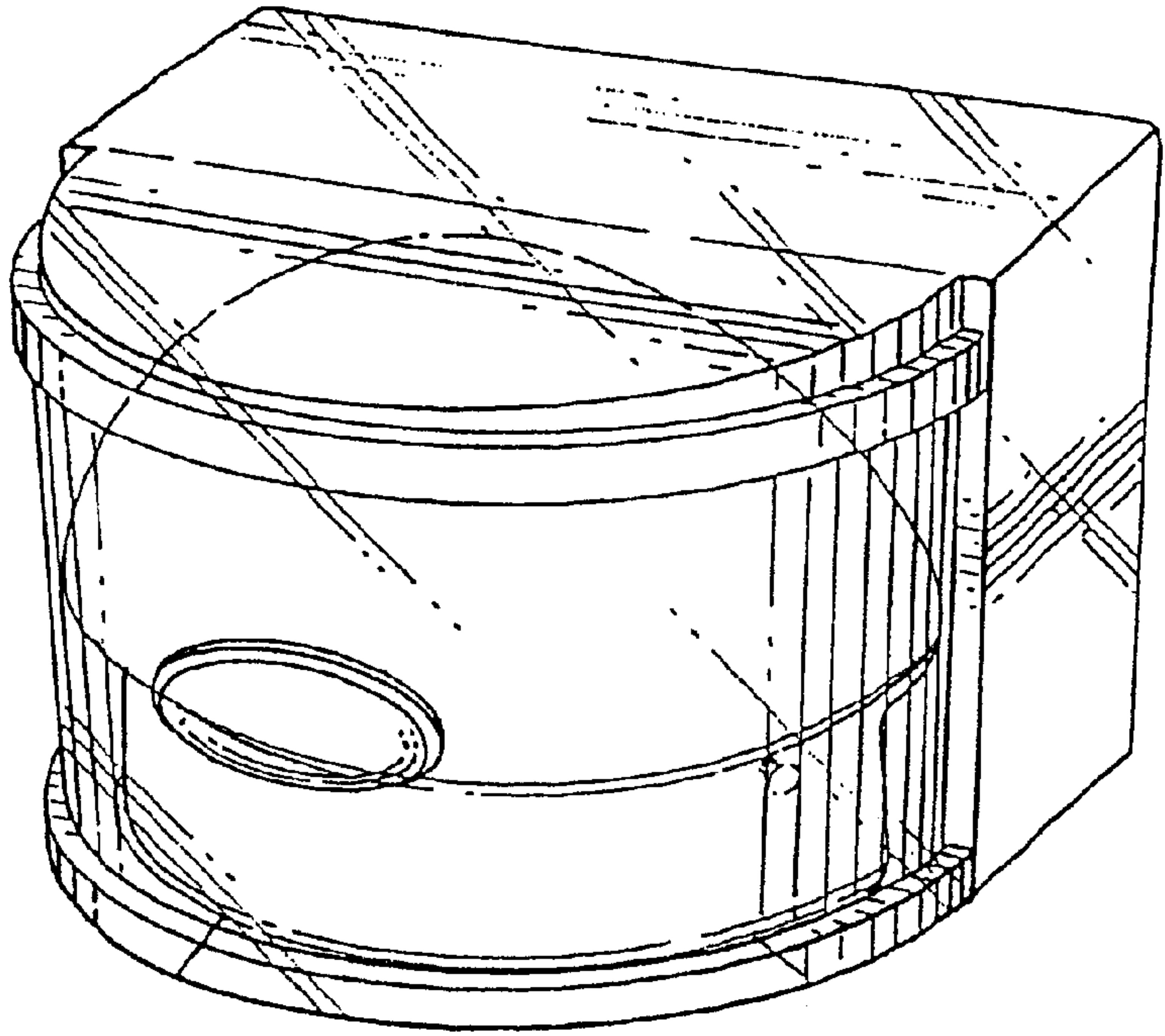


FIG. 2

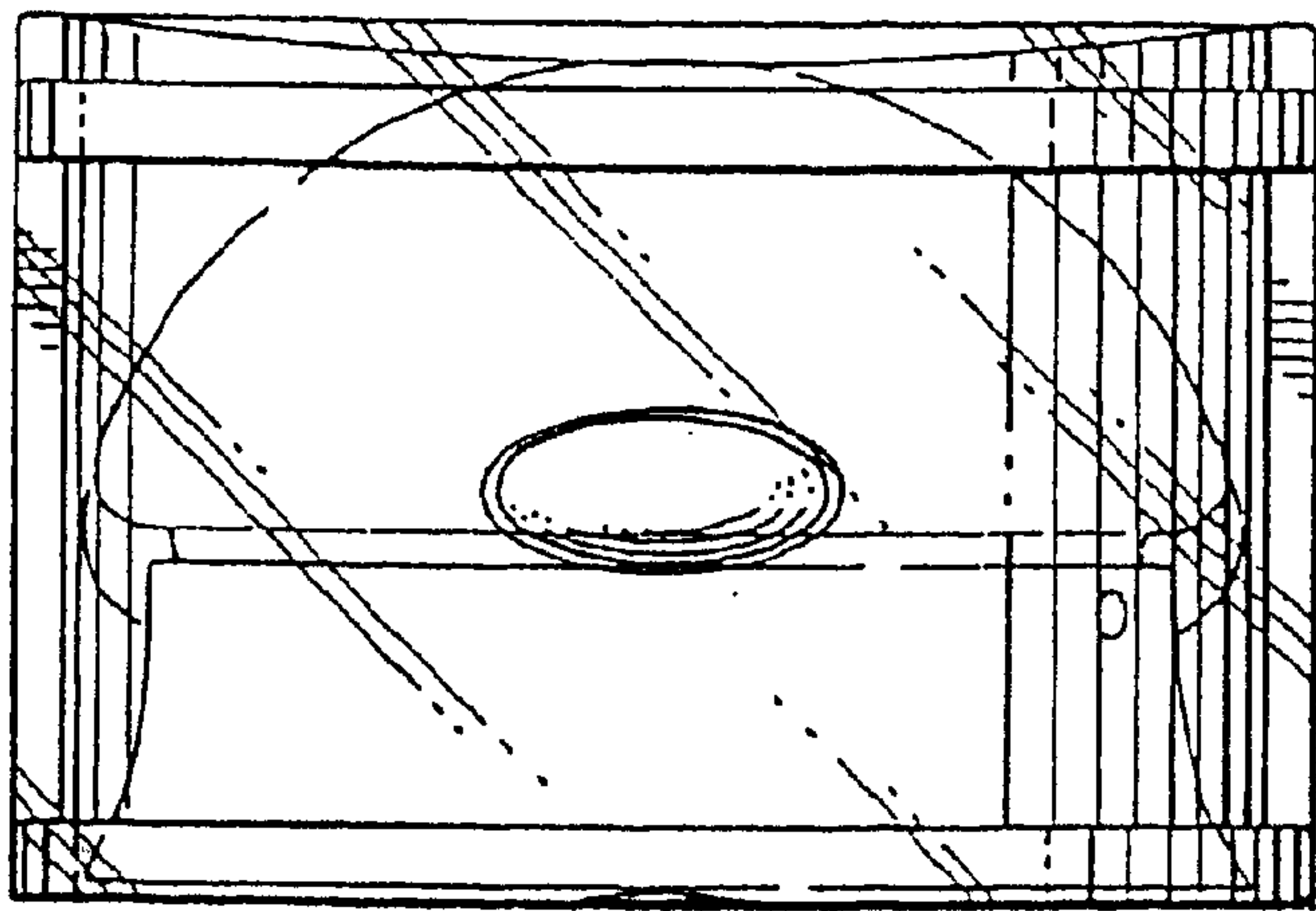


FIG. 3

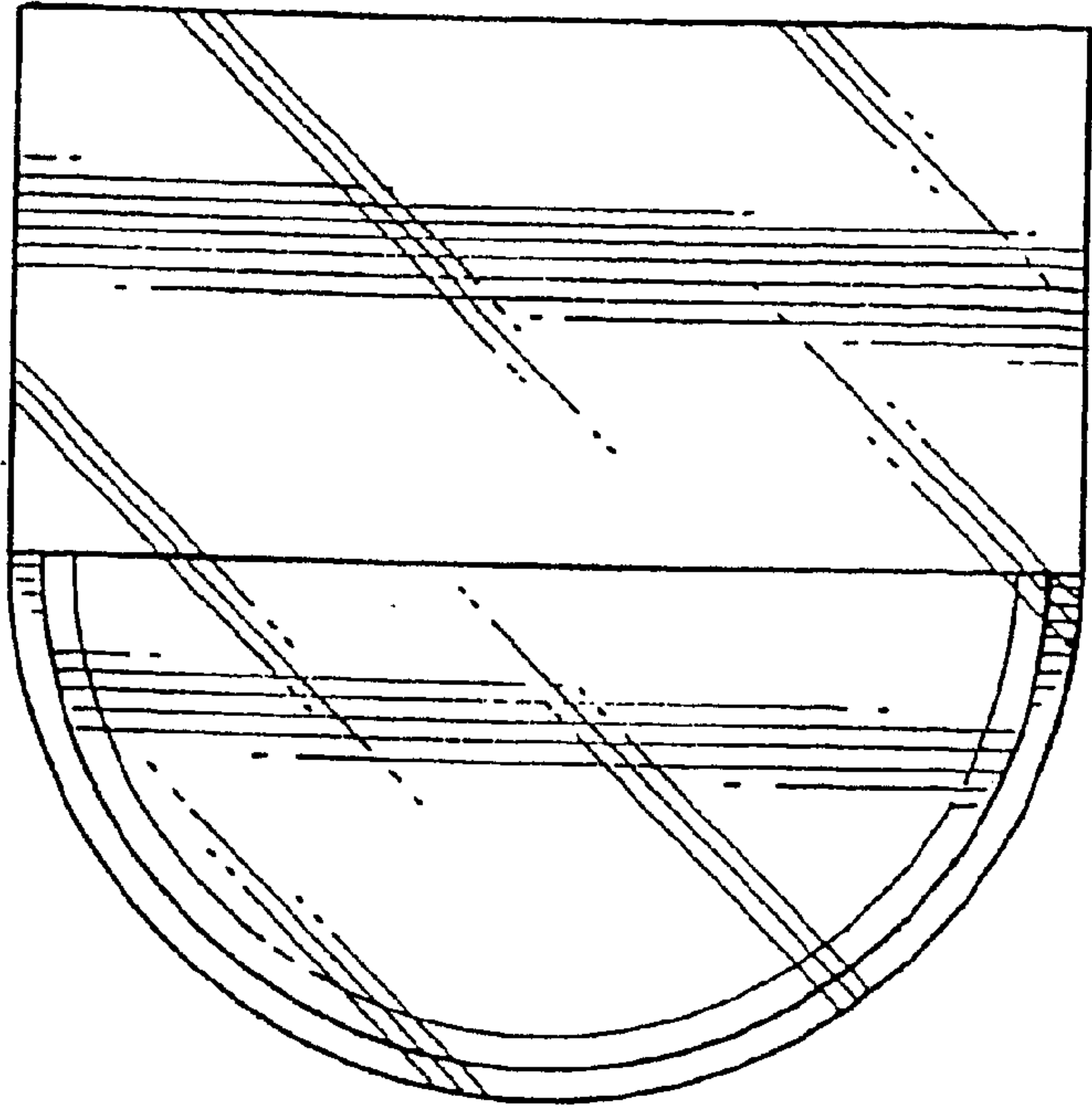


FIG. 4

