



US00D452644B1

(12) **United States Design Patent**
Morita

(10) **Patent No.:** **US D452,644 S**

(45) **Date of Patent:** **** Jan. 1, 2002**

(54) **MAGNETIC FASTENER WITH FIXING UNIT**

(76) Inventor: **Tamao Morita**, 47-1, Arakawa,
6-Chome, Arakawa-ku, Tokyo, 116 (JP)

(**) Term: **14 Years**

(21) Appl. No.: **29/129,783**

(22) Filed: **Sep. 22, 2000**

(30) **Foreign Application Priority Data**

Apr. 18, 2000 (JP) 12-013763

(51) **LOC (7) Cl.** **02-07**

(52) **U.S. Cl.** **D8/382; D11/220**

(58) **Field of Search** D8/349, 382; D11/200,
D11/205-220, 331; 24/303, 688; 294/65.5;
292/251.5; 63/29.2; 335/285

(56) **References Cited**

U.S. PATENT DOCUMENTS

4,700,436	A	10/1987	Morita	
4,453,294	C1	5/1991	Morita	
5,125,134	A	6/1992	Morita	
5,152,035	A	10/1992	Morita	
5,199,138	A	4/1993	Morita	
D335,266	S	* 5/1993	Morita D11/231
5,253,394	A	10/1993	Morita	
5,274,889	A	1/1994	Morita	
5,377,392	A	1/1995	Morita	
D375,061	S	* 10/1996	Morita D11/220

D386,669	S	* 11/1997	Aoki D8/382
5,707,091	A	1/1998	Morita	
D400,429	S	* 11/1998	Morita D8/382
6,131,247	A	10/2000	Morita

* cited by examiner

Primary Examiner—Alan P. Douglas

Assistant Examiner—Clare E. Heflin

(74) *Attorney, Agent, or Firm*—Patton Boggs LLP

(57) **CLAIM**

The ornamental design for a magnetic fastener with fixing unit, as shown and described.

DESCRIPTION

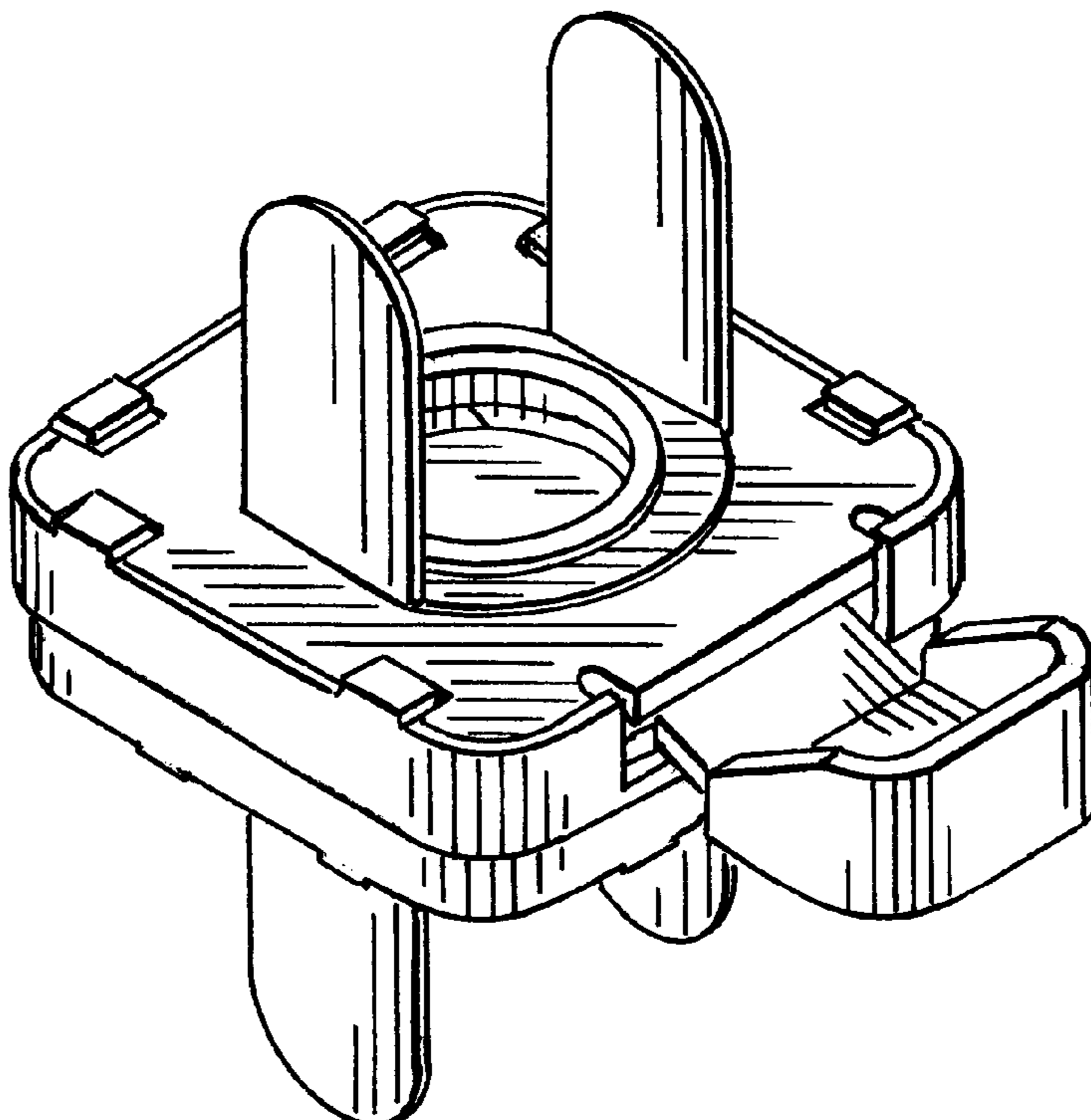
FIG. 1 is a bottom isometric view of the male fastener and the female fastener of a magnetic fastener with fixing unit in their separated or detached position with female fastener member overlying the male fastener member.

FIG. 2 is a bottom isometric view of the male fastener and the female fastener of the magnetic fastener with fixing unit of FIG. 1 in their attracted or fastened position;

FIG. 3 is a top isometric view of the male fastener and the female fastener of a magnetic fastener with fixing unit in their separated or detached position with the female member overlying the male fastener member; and,

FIG. 4 is a top isometric view of the male fastener and the female fastener of the magnetic fastener with fixing unit of FIG. 3 in their attached or fastened position.

1 Claim, 1 Drawing Sheet



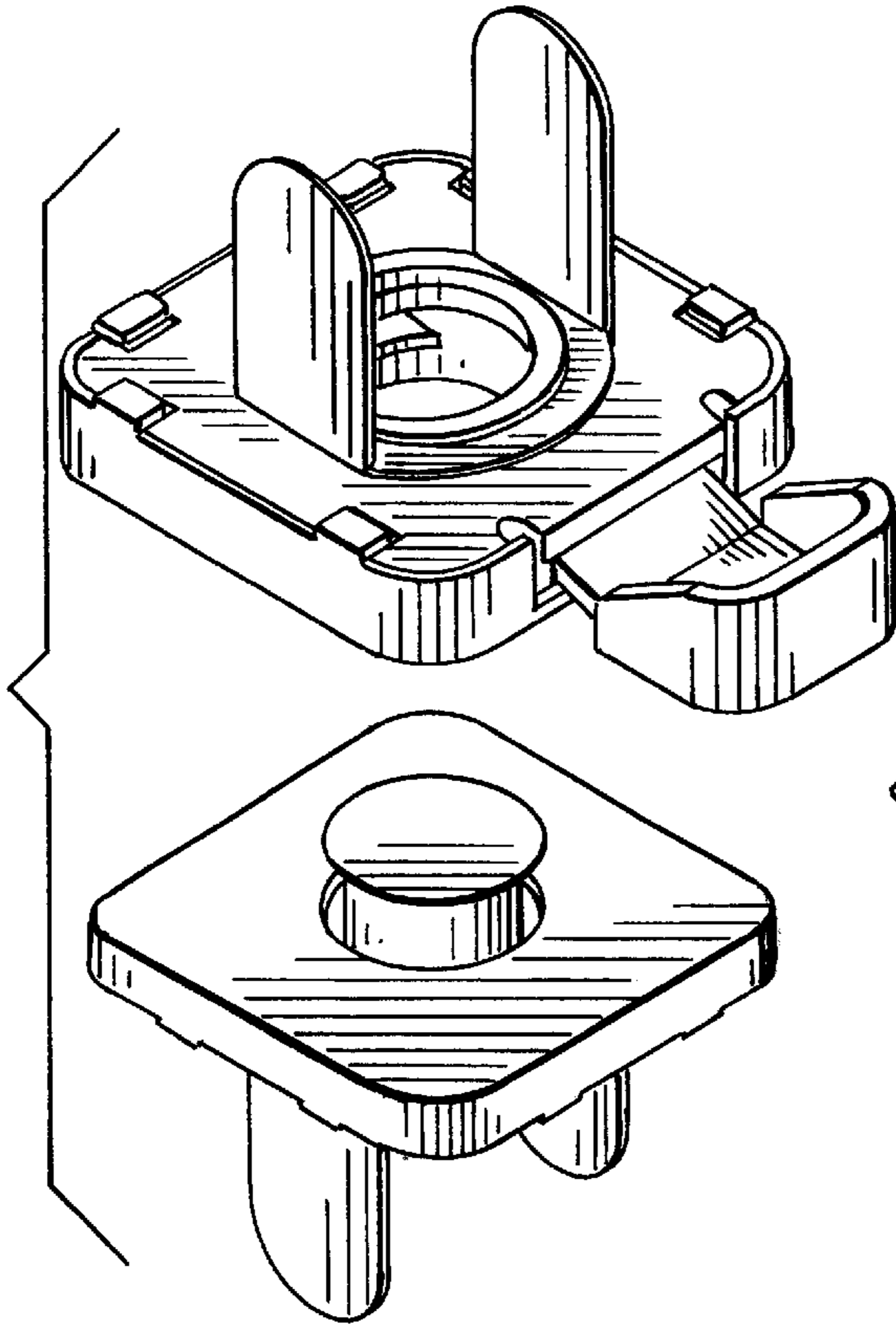


Fig.1

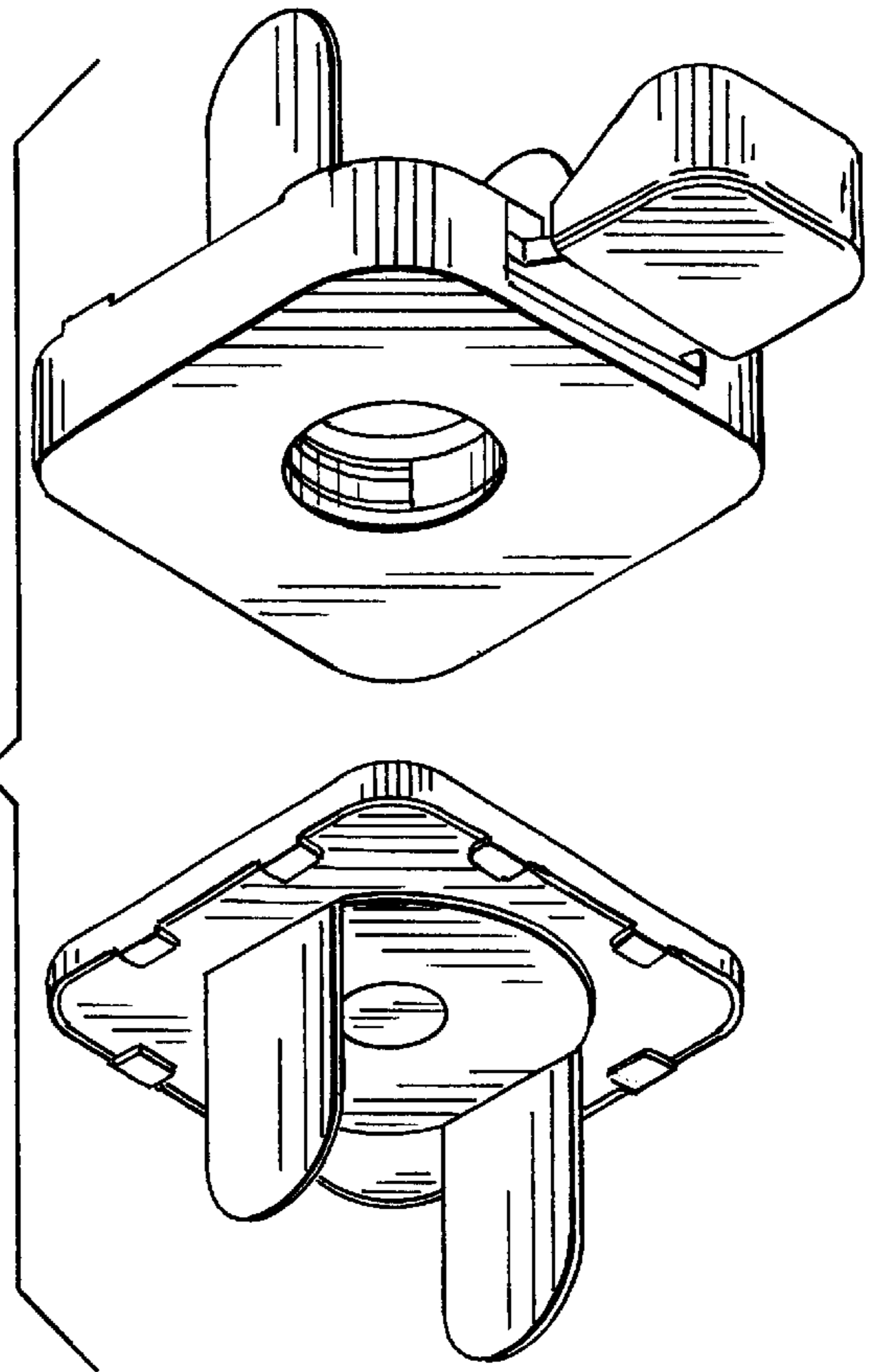


Fig.3

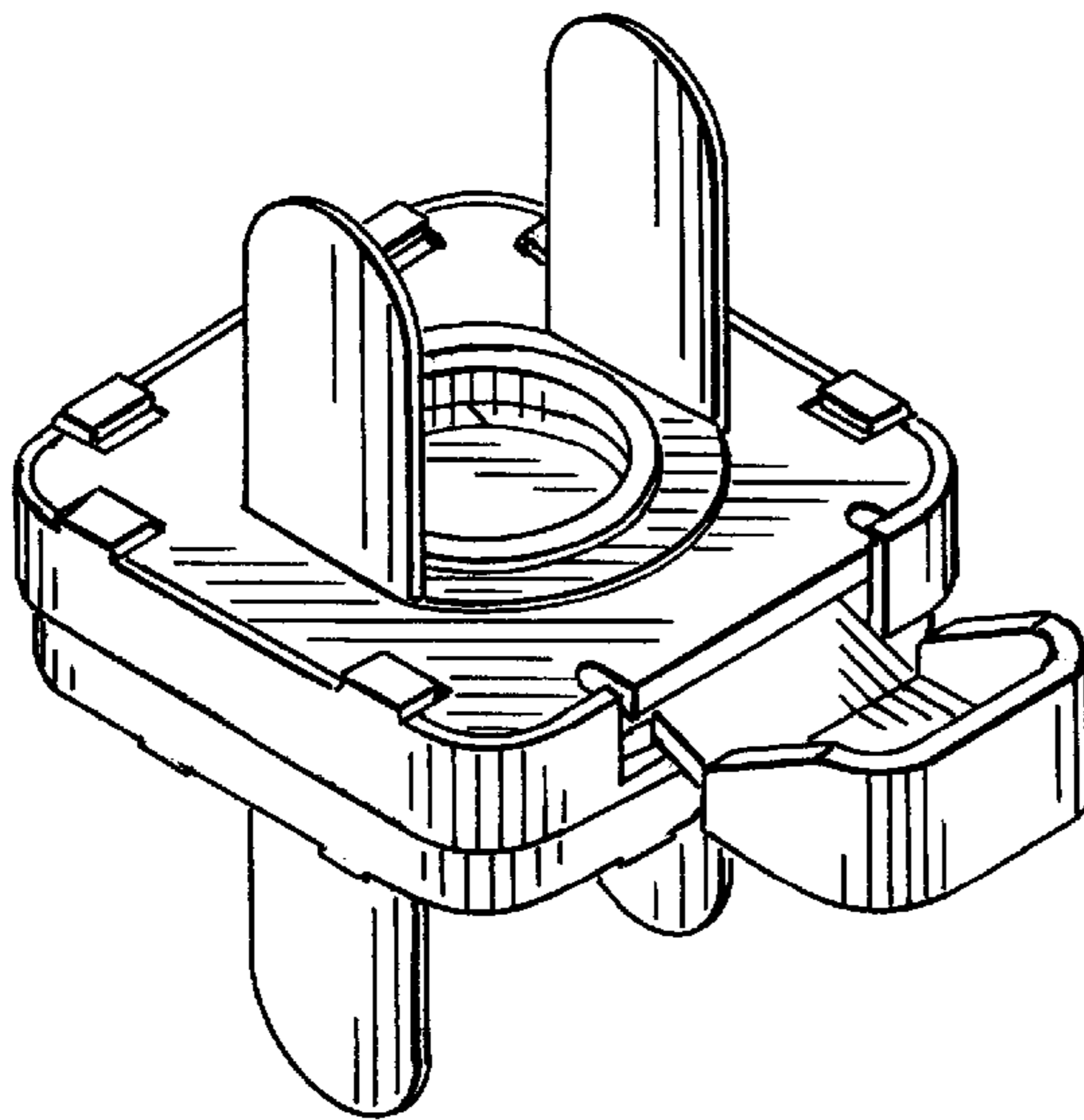


Fig.2

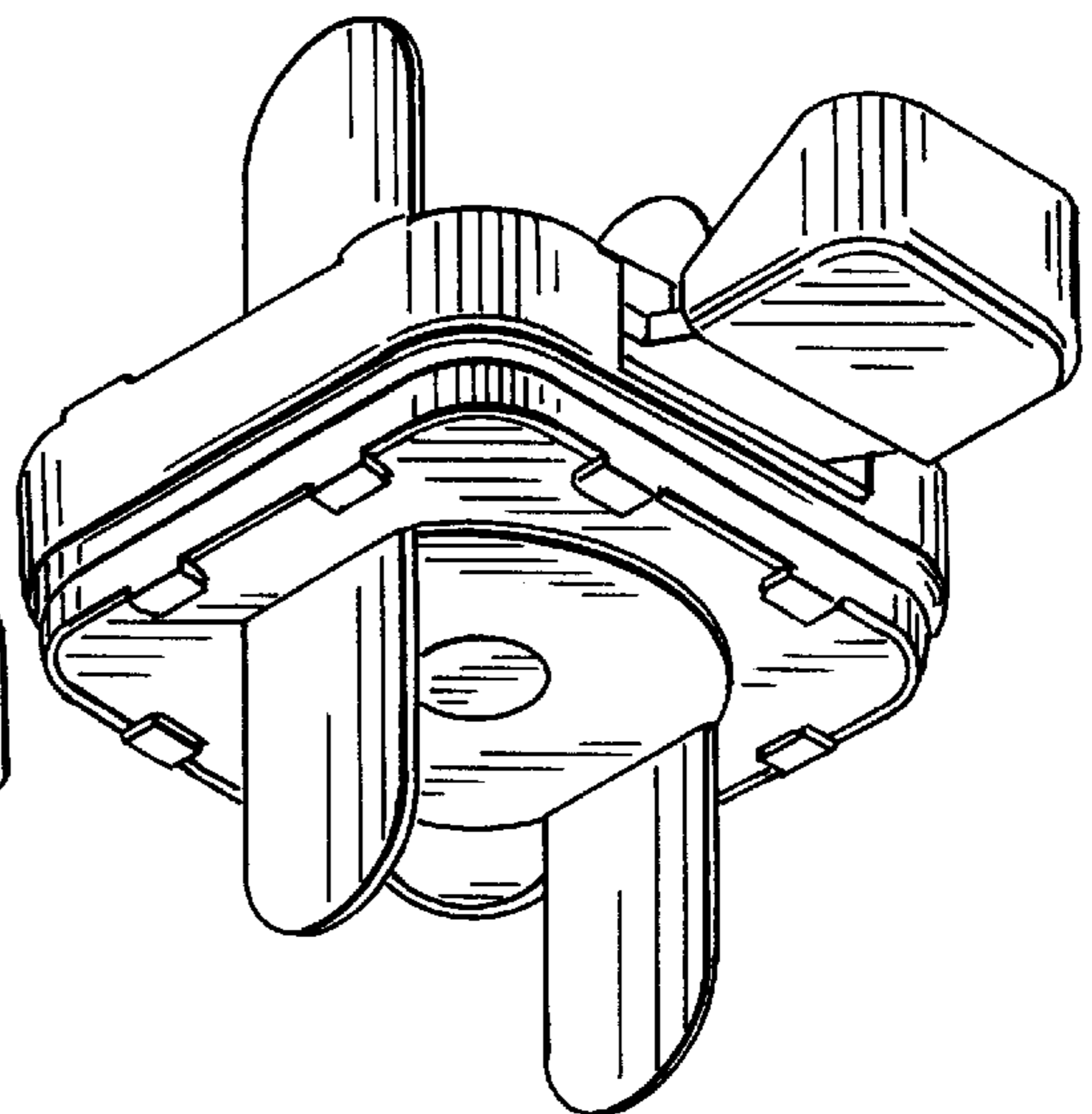


Fig.4