



US00D452643B1

(12) **United States Design Patent**  
**Morita**

(10) **Patent No.:** **US D452,643 S**

(45) **Date of Patent:** **\*\* Jan. 1, 2002**

(54) **MAGNETIC FASTENER WITH FIXING UNIT**

(76) Inventor: **Tamao Morita**, 47-1, Arakawa,  
6-Chome, Arakawa-ku, Tokyo 116 (JP)

(\*\*) Term: **14 Years**

(21) Appl. No.: **29/127,179**

(22) Filed: **Aug. 2, 2000**

(30) **Foreign Application Priority Data**

Feb. 2, 2000 (JP) ..... 12-004881

(51) **LOC (7) Cl.** ..... **02-07**

(52) **U.S. Cl.** ..... **D8/382; D11/220**

(58) **Field of Search** ..... D11/200, 205-220,  
D11/331; D8/382, 349; 24/303, 688; 294/65.5;  
292/251.5; 63/29.2; 335/285

(56) **References Cited**

**U.S. PATENT DOCUMENTS**

4,700,436	A	10/1987	Morita	
4,453,294	C1	5/1991	Morita	
5,125,134	A	6/1992	Morita	
5,152,035	A	10/1992	Morita	
5,199,138	A	4/1993	Morita	
D335,266	S	* 5/1993	Morita	..... D11/231
5,253,394	A	10/1993	Morita	
5,274,889	A	1/1994	Morita	
5,377,392	A	1/1995	Morita	
D375,061	S	* 10/1996	Morita	..... D11/220

D386,669 S \* 11/1997 Aoki ..... D8/382

5,707,091 A 1/1998 Morita

D400,429 S \* 11/1998 Morita ..... D8/382

6,131,247 A 10/2000 Morita .....

\* cited by examiner

*Primary Examiner*—Alan P. Douglas

*Assistant Examiner*—Clare E. Heflin

(74) *Attorney, Agent, or Firm*—Patton Boggs LLP

(57) **CLAIM**

The ornamental design for a magnetic fastener with fixing unit, as shown and described.

**DESCRIPTION**

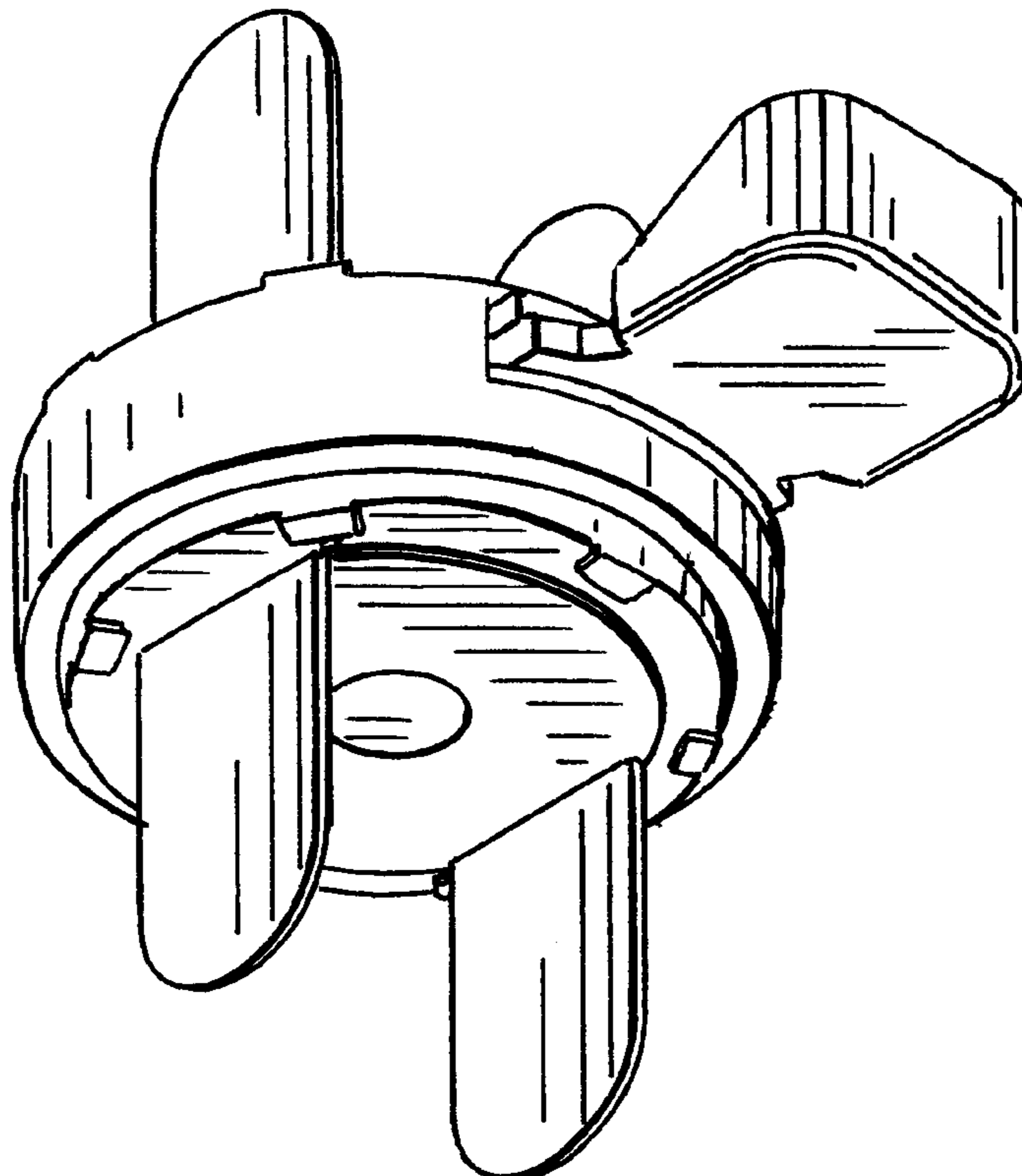
FIG. 1 is a bottom isometric view of the male fastener and the female fastener of a magnetic fastener with fixing unit in their separated or detached position with female fastener member overlying the male fastener member.

FIG. 2 is an isometric view of the male fastener and the female fastener of the magnetic fastener with fixing unit of FIG. 1 in their attached or fastened position;

FIG. 3 is a top isometric view of the male fastener and the female fastener of a magnetic fastener with fixing unit in their separated or detached position with female member overlying the male fastener member; and,

FIG. 4 is a top isometric view of the male fastener and the female fastener of the magnetic fastener with fixing unit of FIG. 3 in their attached or fastened position.

**1 Claim, 1 Drawing Sheet**



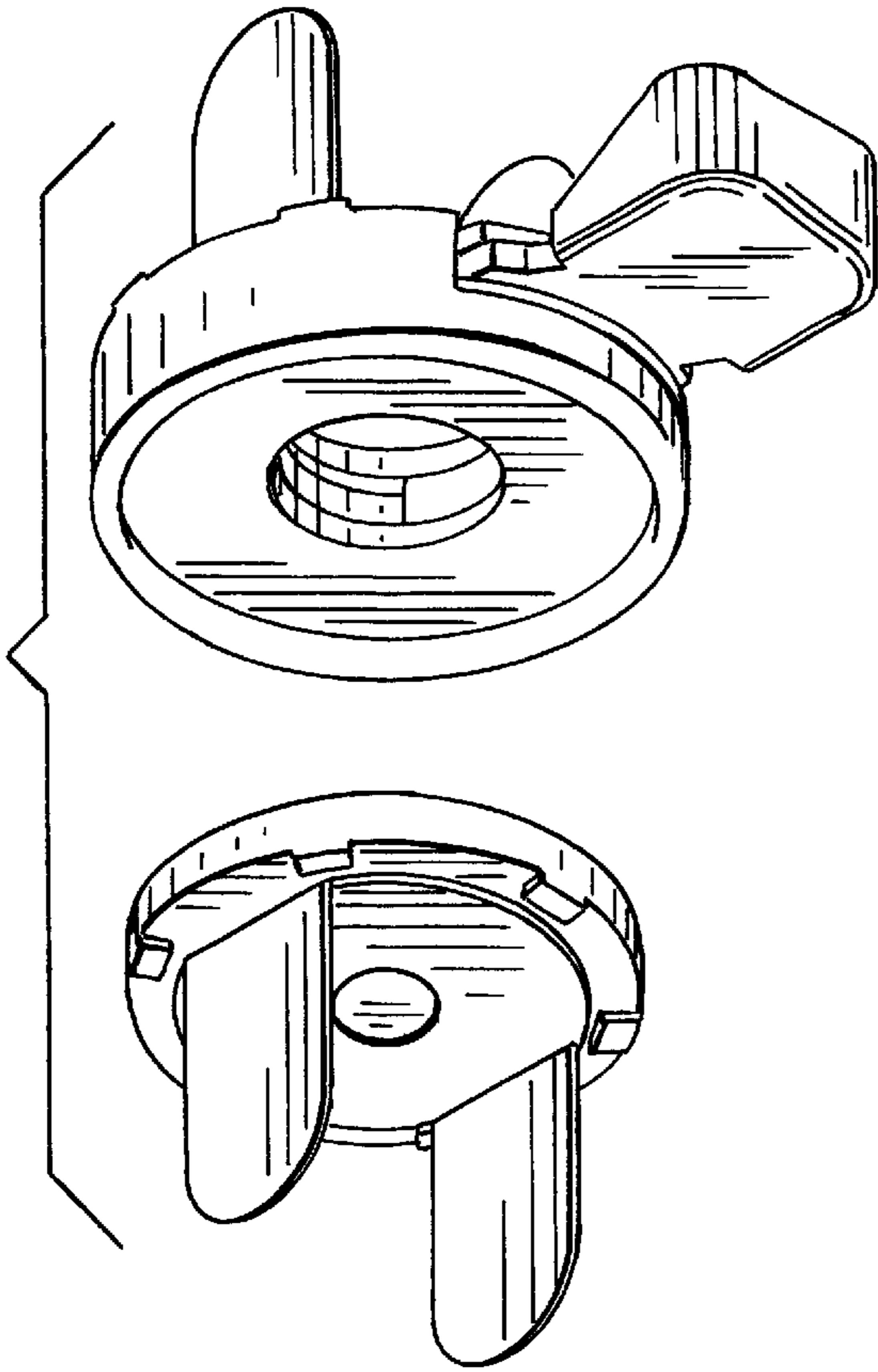


Fig.1

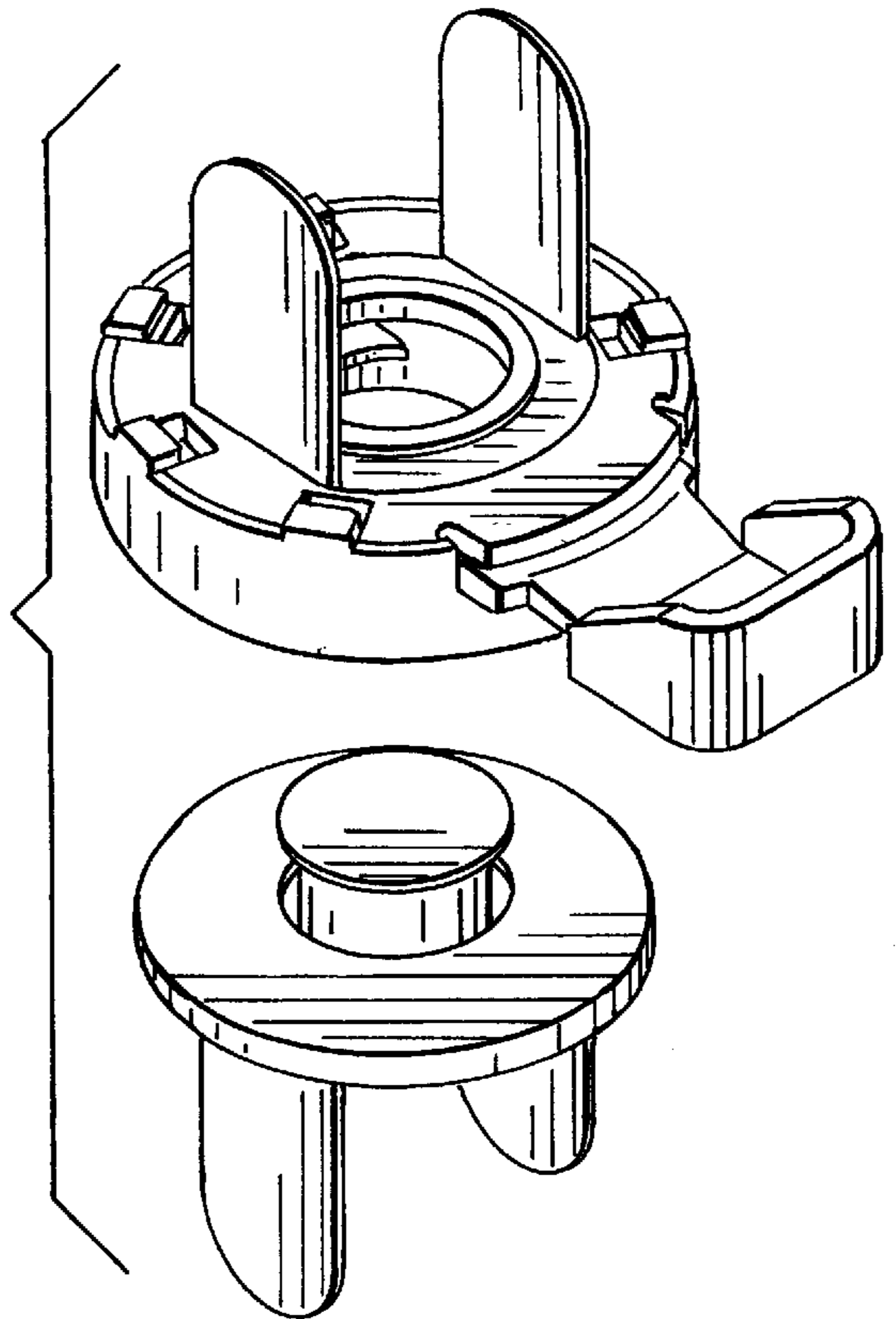


Fig.3

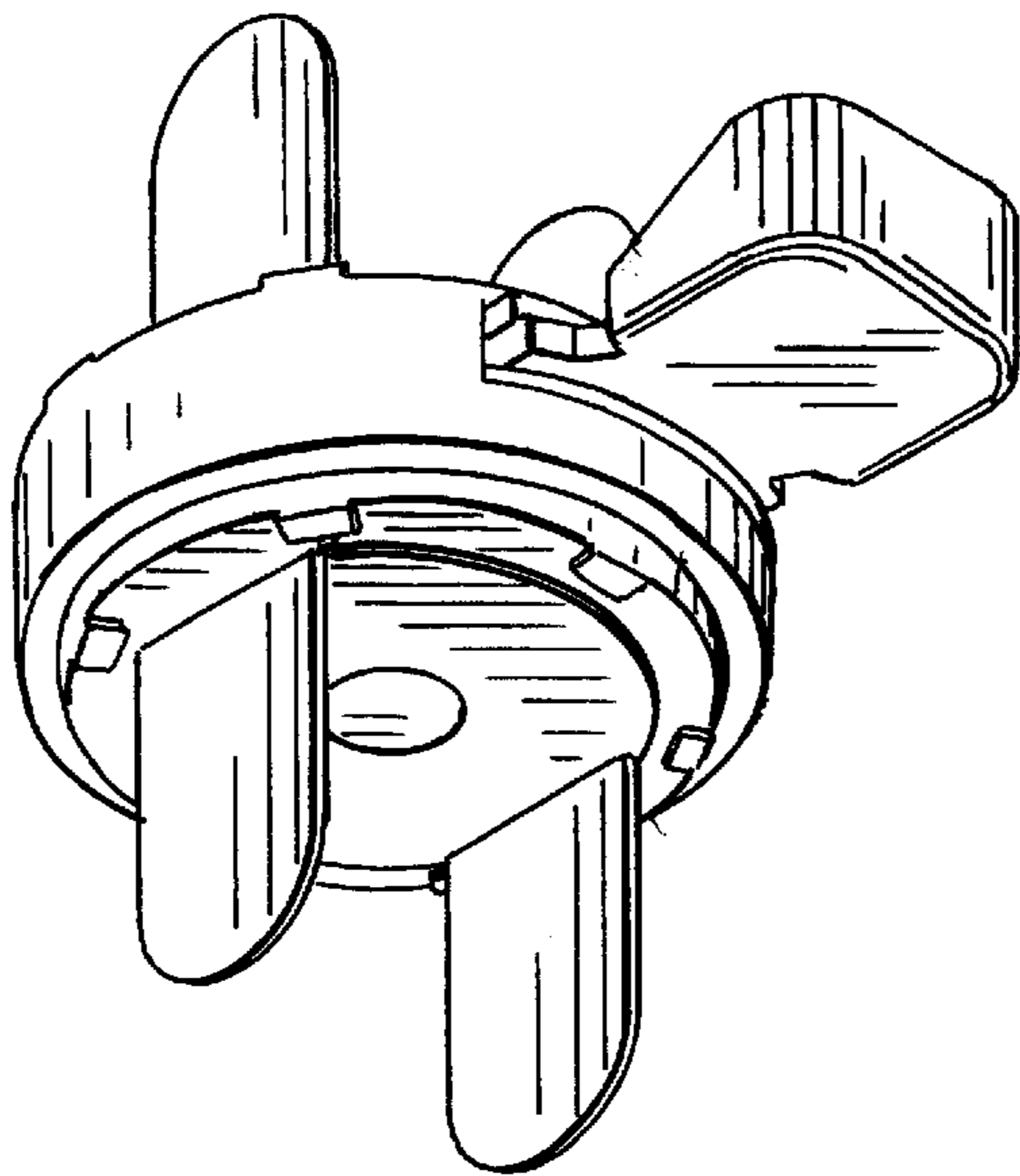


Fig.2

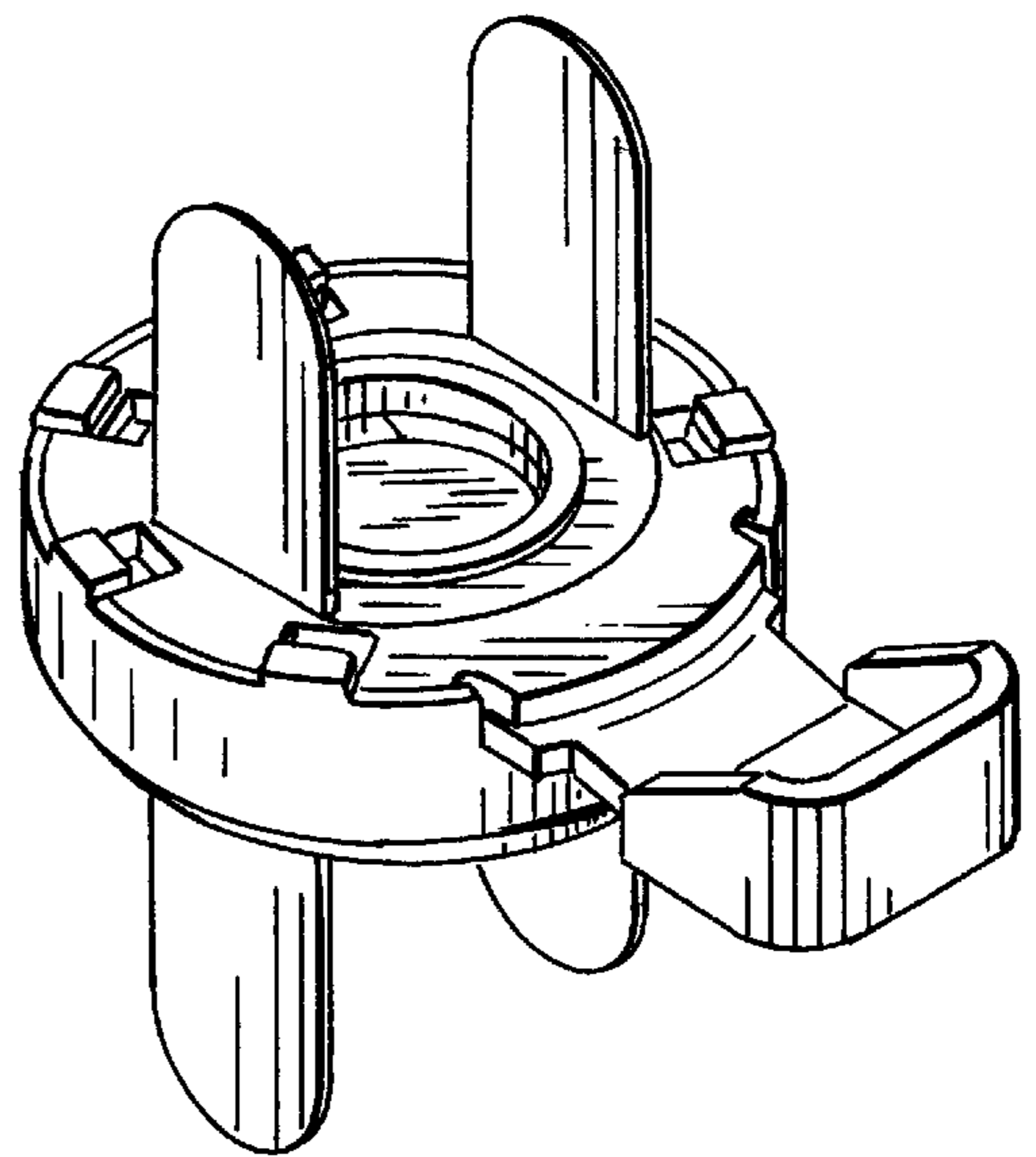


Fig.4