



US00D452641B1

(12) **United States Design Patent**
Portenier

(10) **Patent No.:** **US D452,641 S**

(45) **Date of Patent:** **** Jan. 1, 2002**

(54) **GATE LATCH**

(76) **Inventor:** **Bradly D. Portenier**, 1803 Industrial Park Dr., Washington, KS (US) 66968

(**) **Term:** **14 Years**

(21) **Appl. No.:** **29/130,847**

(22) **Filed:** **Oct. 10, 2000**

(51) **LOC (7) Cl.** **08-07**

(52) **U.S. Cl.** **D8/341**

(58) **Field of Search** D8/330, 331, 339, D8/341; 292/102, 106, 135, 41, DIG. 29

(56) **References Cited**

U.S. PATENT DOCUMENTS

D216,293 S	*	12/1969	Blackson	D8/341
D394,796 S	*	6/1998	Alford et al.	D8/331
D396,795 S	*	8/1998	Francom	D8/339

* cited by examiner

Primary Examiner—Jennifer Rivard
(74) *Attorney, Agent, or Firm*—Shughart Thomson & Kilroy P.C.; Mark E. Brown

(57) **CLAIM**

The ornamental design for a gate latch, as shown and described.

DESCRIPTION

FIG. 1 is an upper, front, left side perspective view of a gate latch, showing my new design.

FIG. 2 is a front of a elevational view thereof.

FIG. 3 is a rear elevational view thereof.

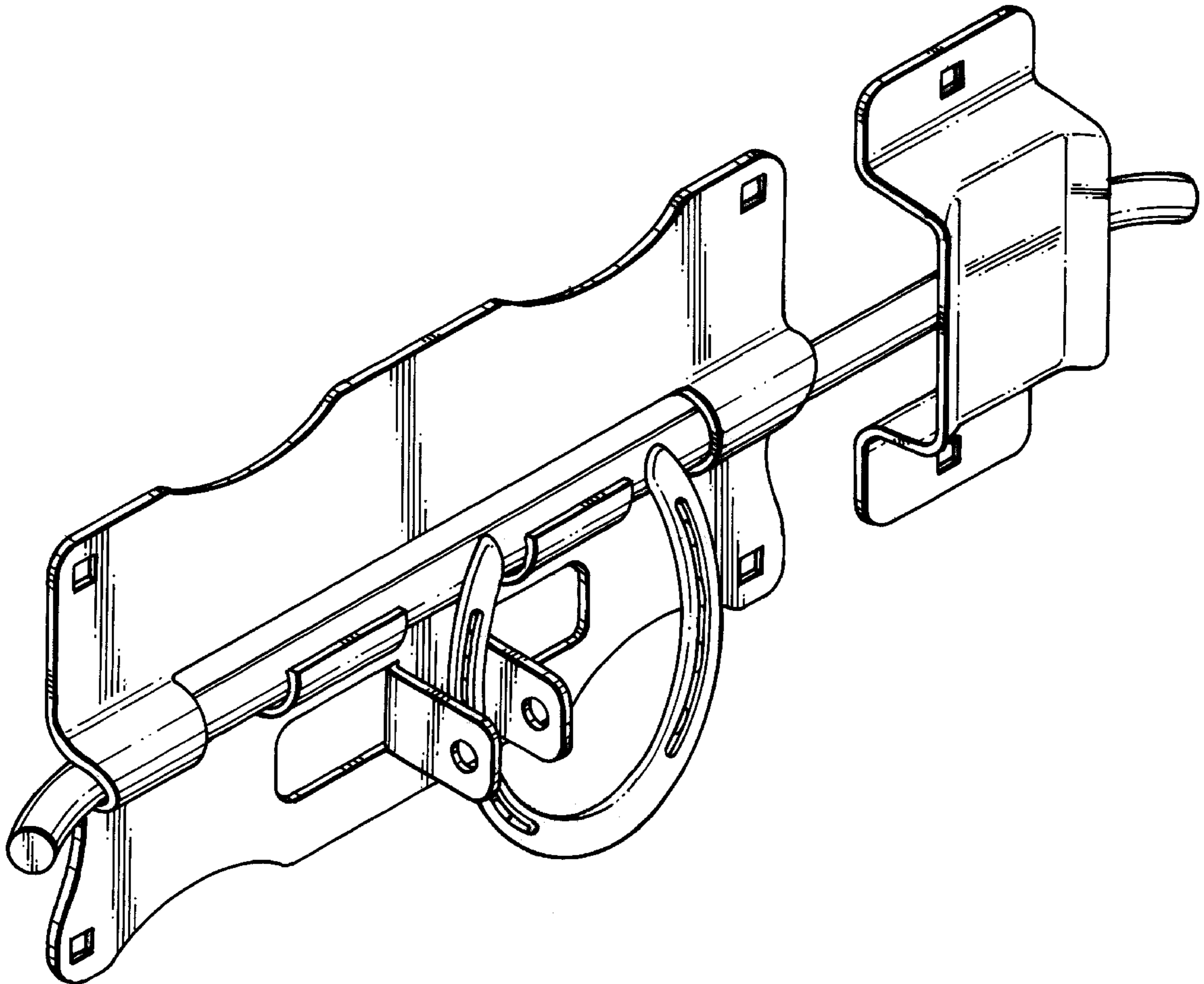
FIG. 4 is a top plan view thereof.

FIG. 5 is a bottom plan view thereof.

FIG. 6 is a right side elevational view thereof; and,

FIG. 7 is a left side elevational view thereof.

1 Claim, 4 Drawing Sheets



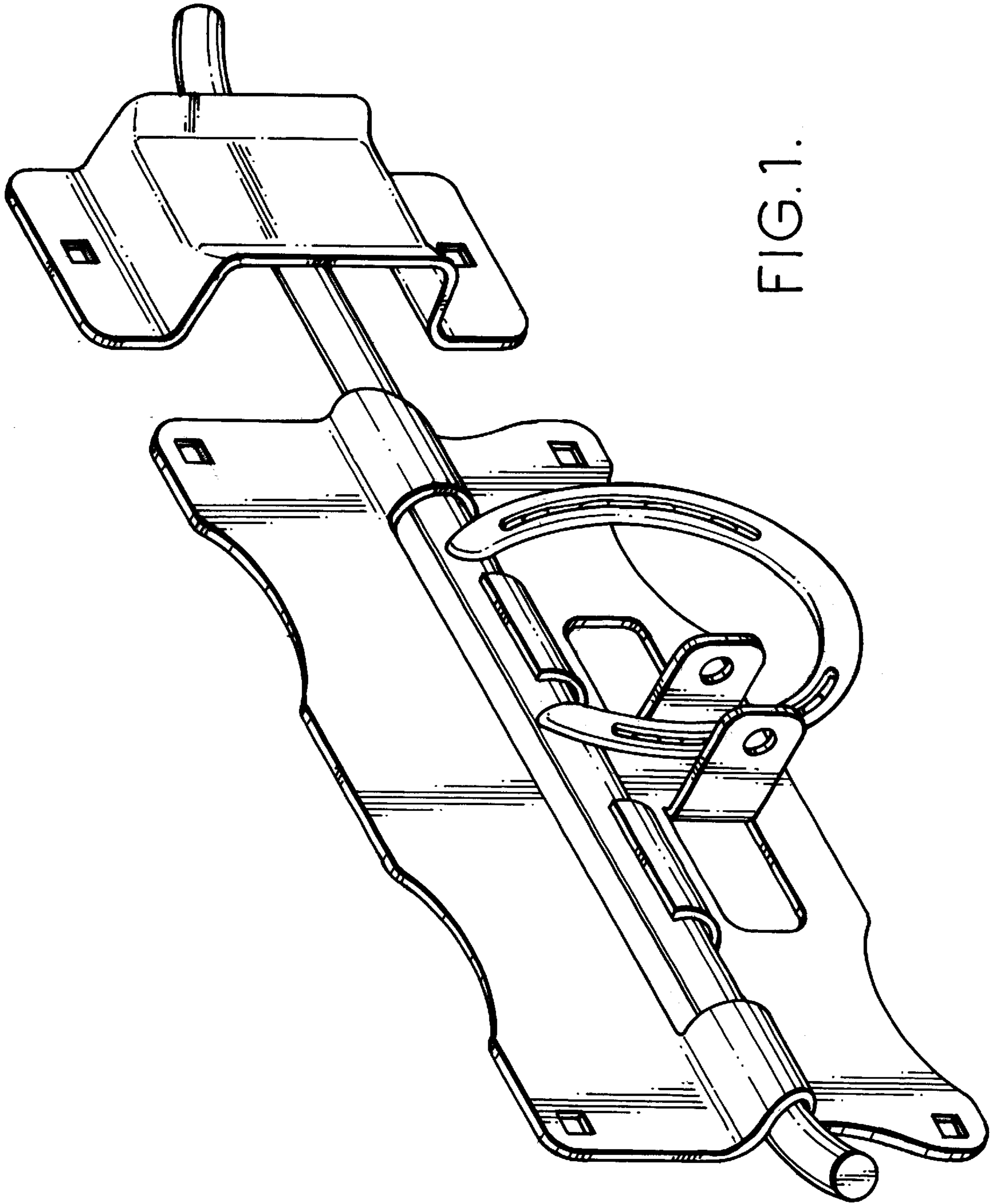


FIG. 1.

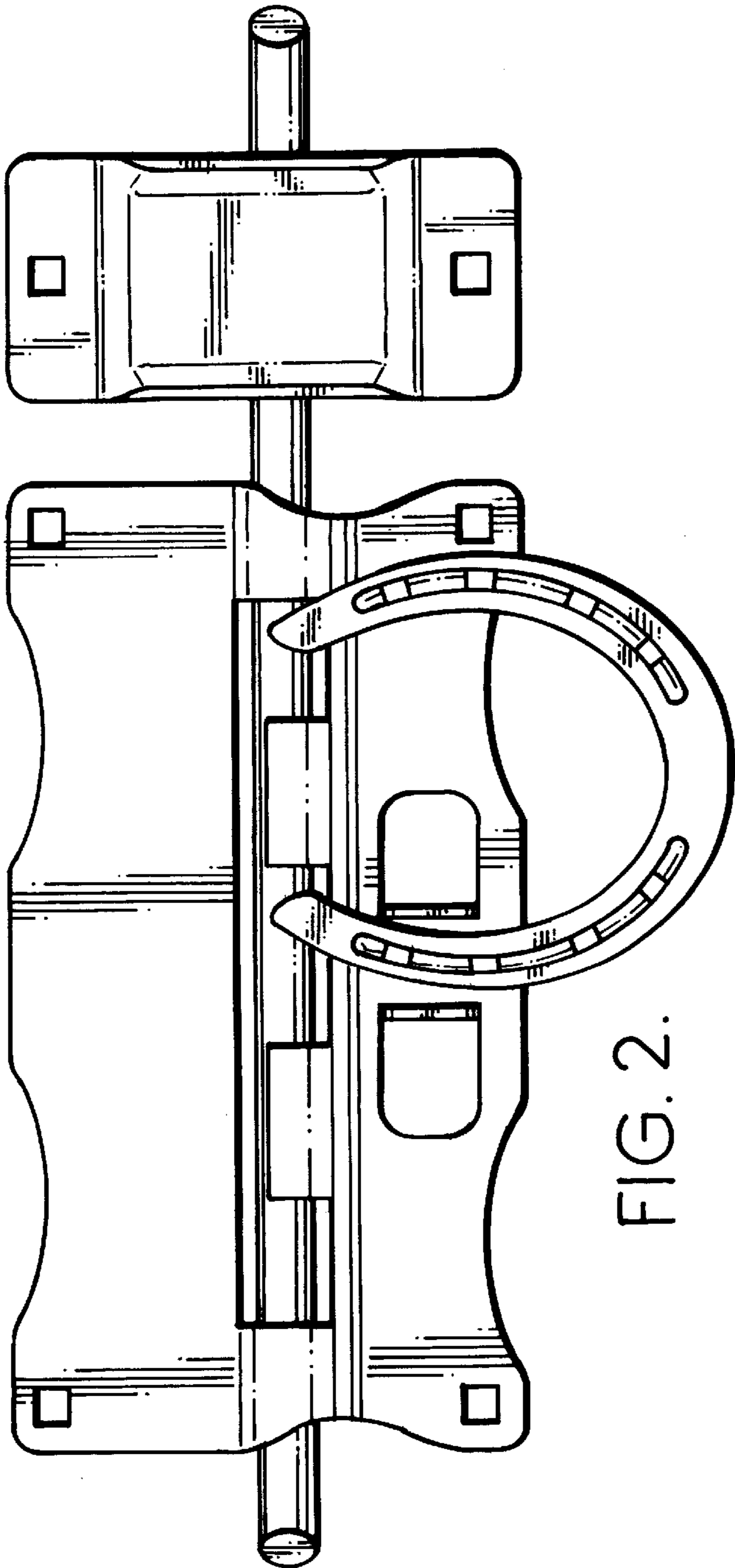


FIG. 2.

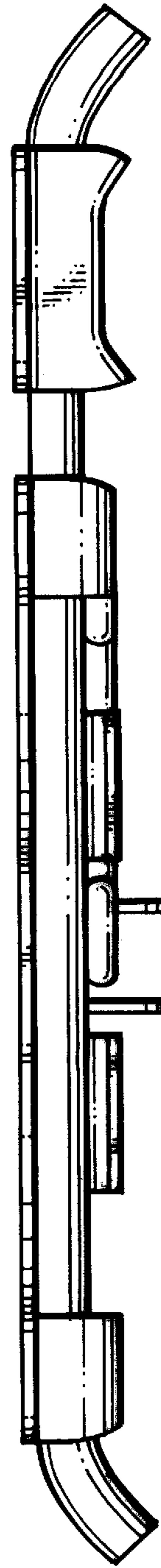


FIG. 4.

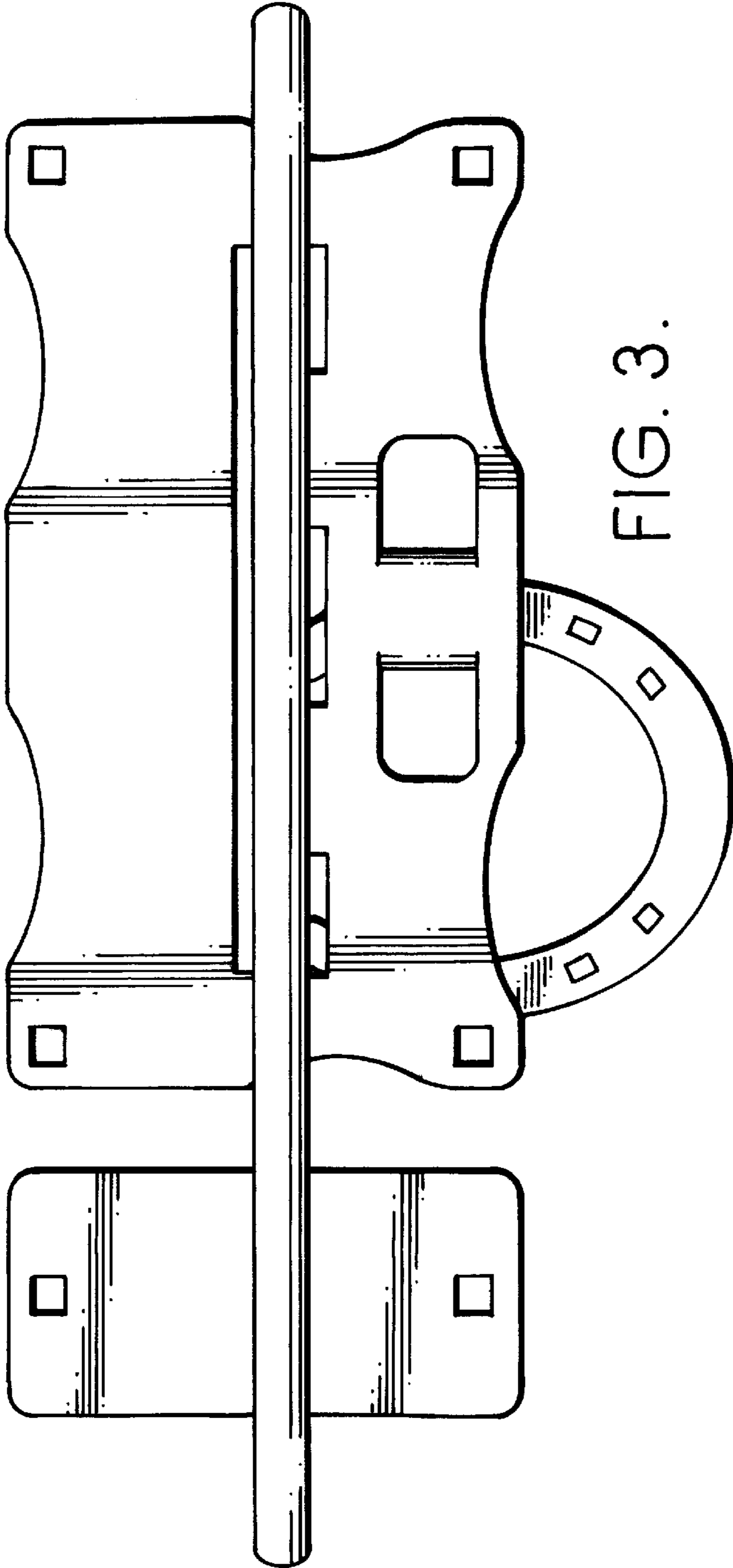


FIG. 3.

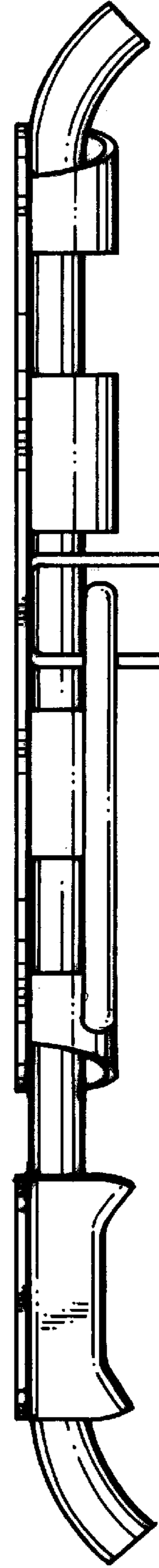


FIG. 5.

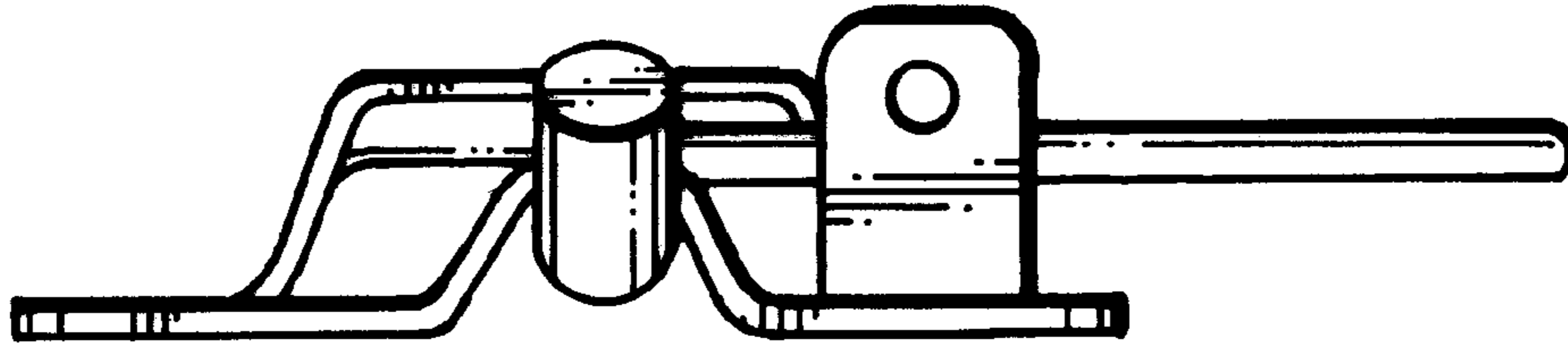


FIG. 7.

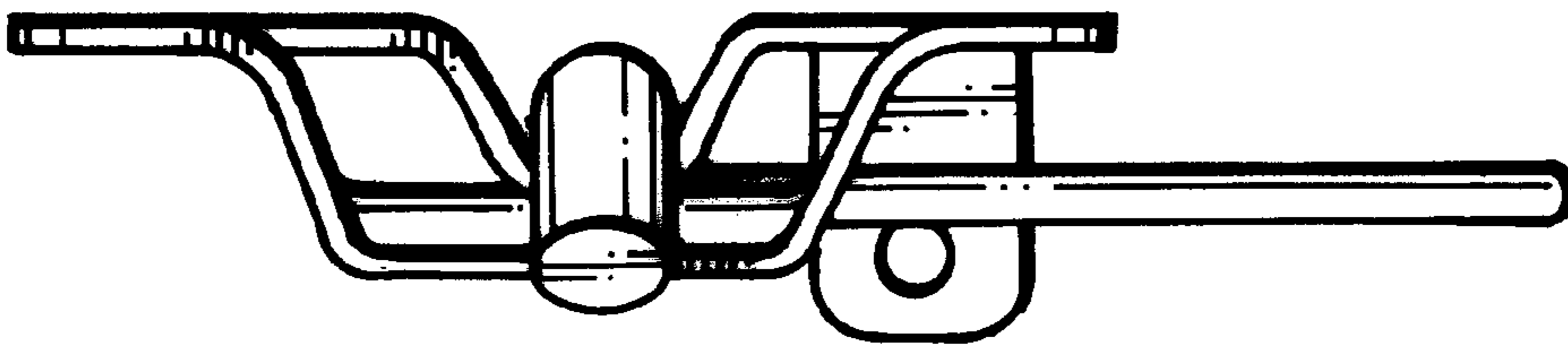


FIG. 6.