



US00D452640B1

(12) **United States Design Patent**
Gartner

(10) **Patent No.:** **US D452,640 S**

(45) **Date of Patent:** **** Jan. 1, 2002**

(54) **ELECTRONIC LOCK DIGITAL INPUT PAD HOUSING**

5,841,361 A * 11/1998 Hoffman 70/278.1

* cited by examiner

(75) Inventor: **Klaus W. Gartner**, Torrance, CA (US)

Primary Examiner—Jennifer Rivard

(73) Assignee: **U-Code, Inc.**, Torrance, CA (US)

(74) *Attorney, Agent, or Firm*—Oppenheimer Wolff & Donnelly LLP

(**) Term: **14 Years**

(57) **CLAIM**

(21) Appl. No.: **29/126,666**

The ornamental design for an electronic lock digital input pad housing, as shown and described.

(22) Filed: **Jul. 21, 2000**

DESCRIPTION

(51) **LOC (7) Cl.** **08-07**

(52) **U.S. Cl.** **D8/330; D8/343**

(58) **Field of Search** D8/330, 331, 343;
70/271, 277, 278.1, 278.4, 284, 285; 292/DIG. 37;
D14/383–387; 340/5.21, 5.54, 5.65, 5.73,
5.81, 5.85

FIG. 1 is an enlarged perspective view of the electronic lock digital, input pad housing;

FIG. 2 is a top view;

FIG. 3 is a bottom view;

FIG. 4 is a front view; and,

FIG. 5 is a right side view, the left side view being a mirror image thereof.

The broken line environmental showing is for illustrative purposes only and forms no part of the claimed design.

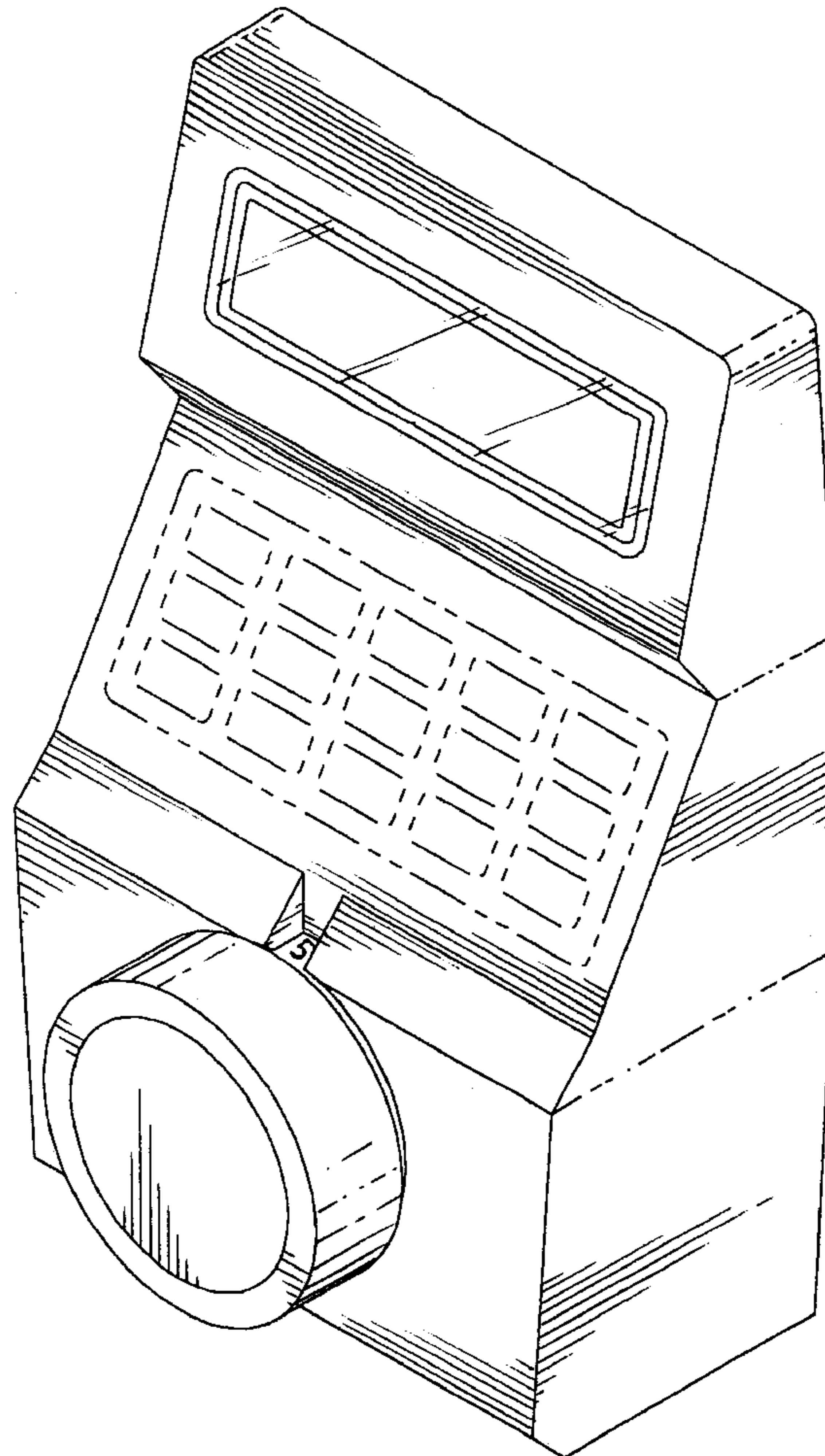
(56) **References Cited**

U.S. PATENT DOCUMENTS

5,475,996 A * 12/1995 Chen 70/277

D388,308 S * 12/1997 Evans et al. D8/330

1 Claim, 2 Drawing Sheets



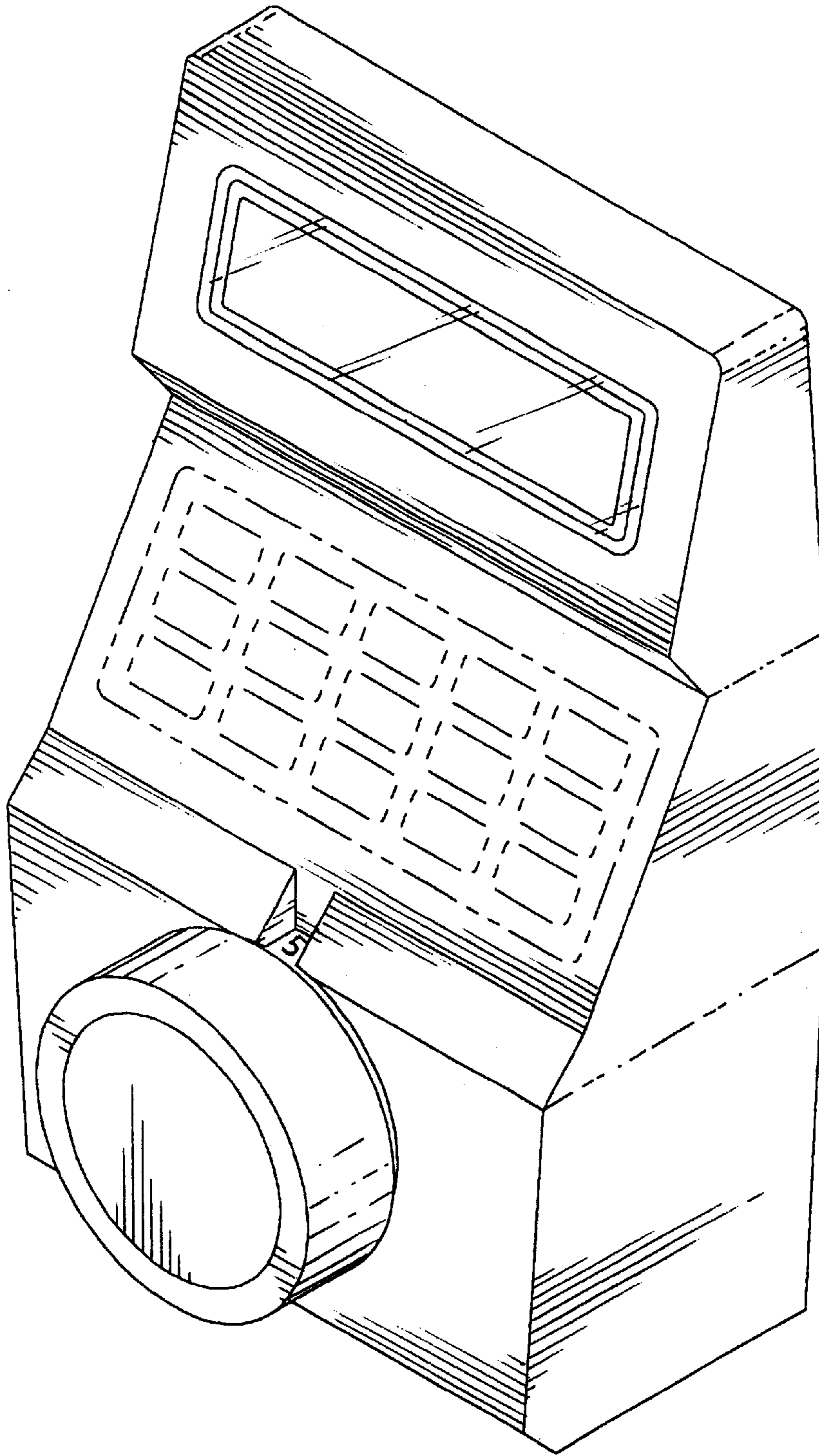


FIG. 1

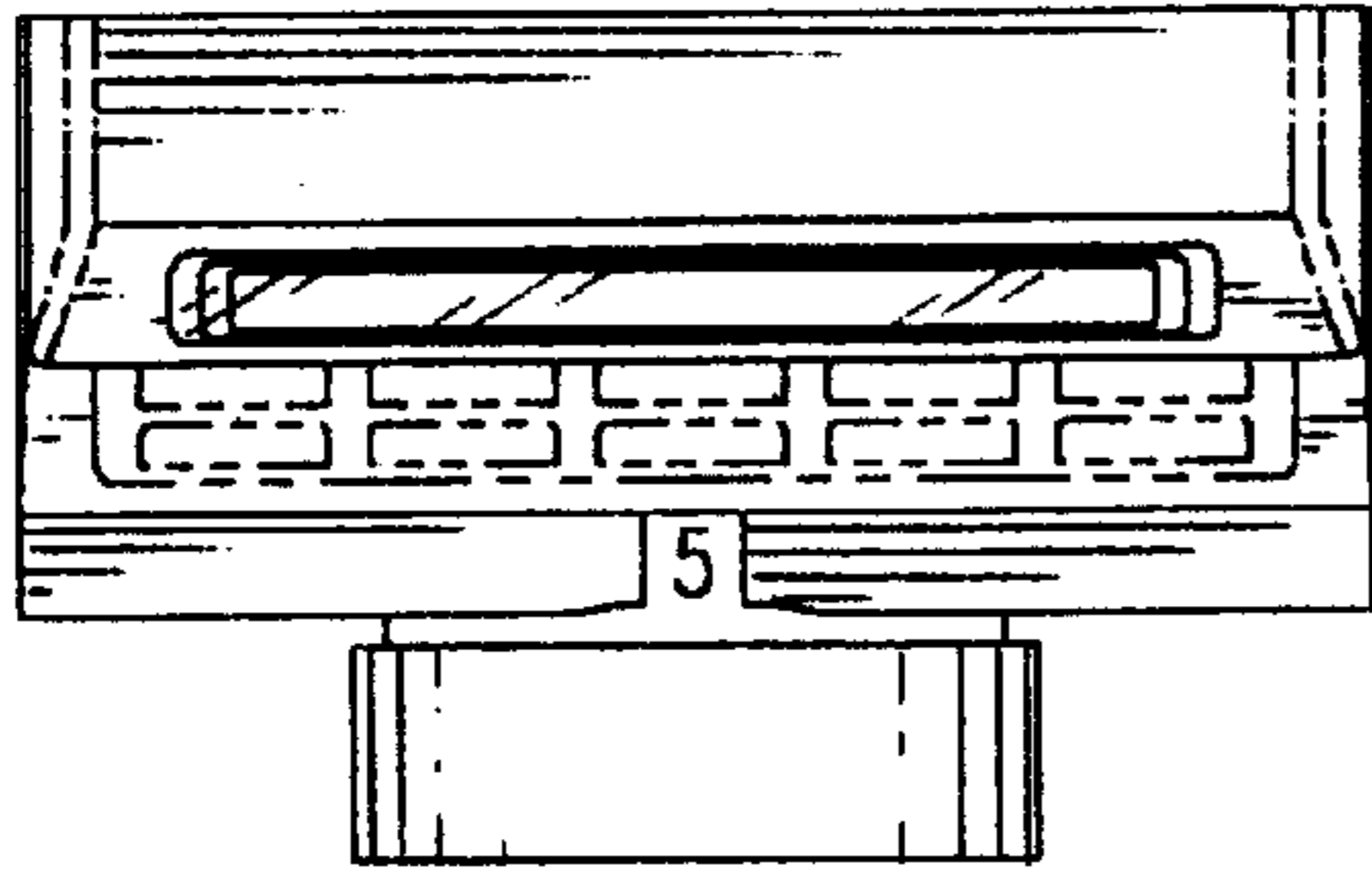


FIG. 2

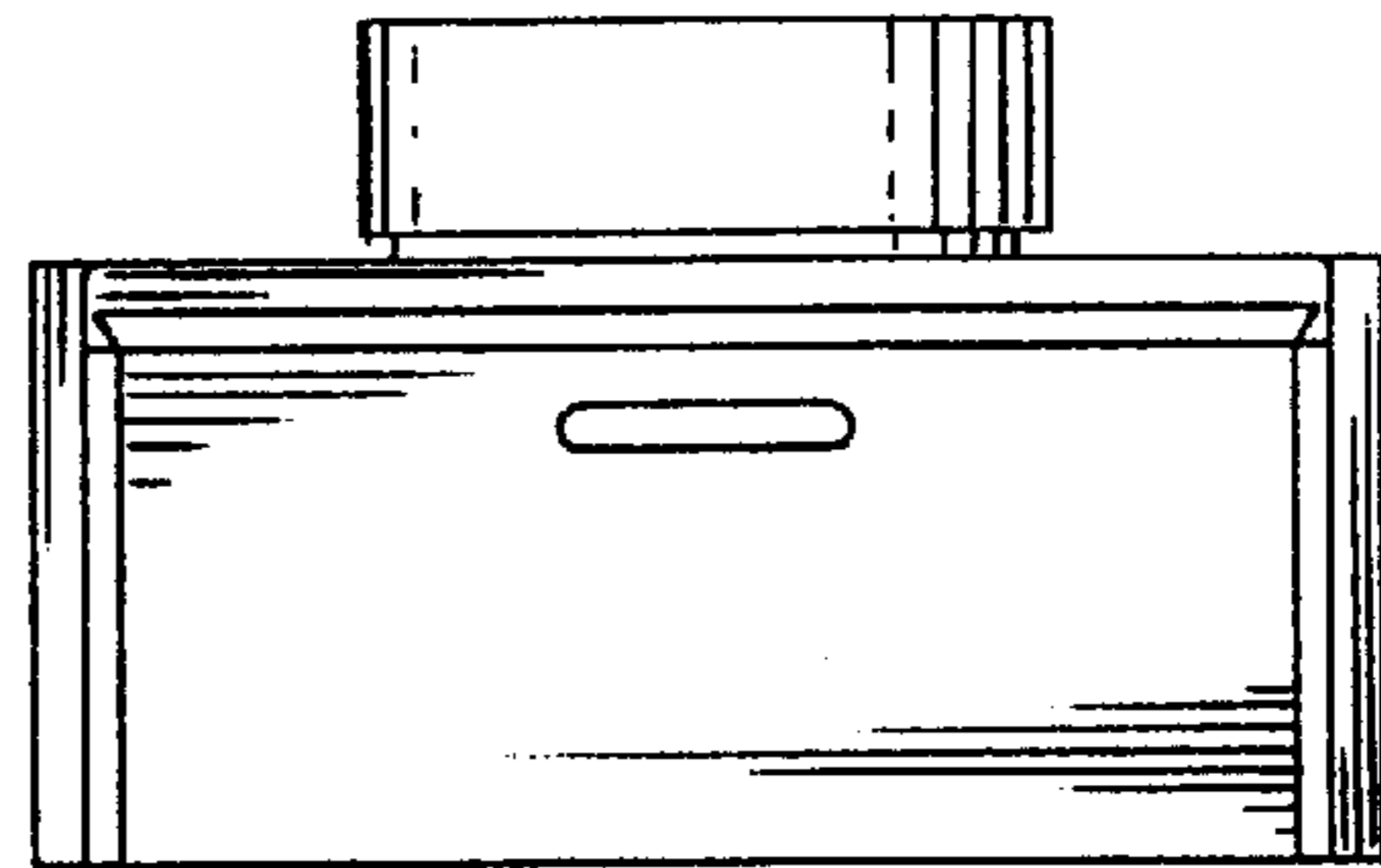


FIG. 3

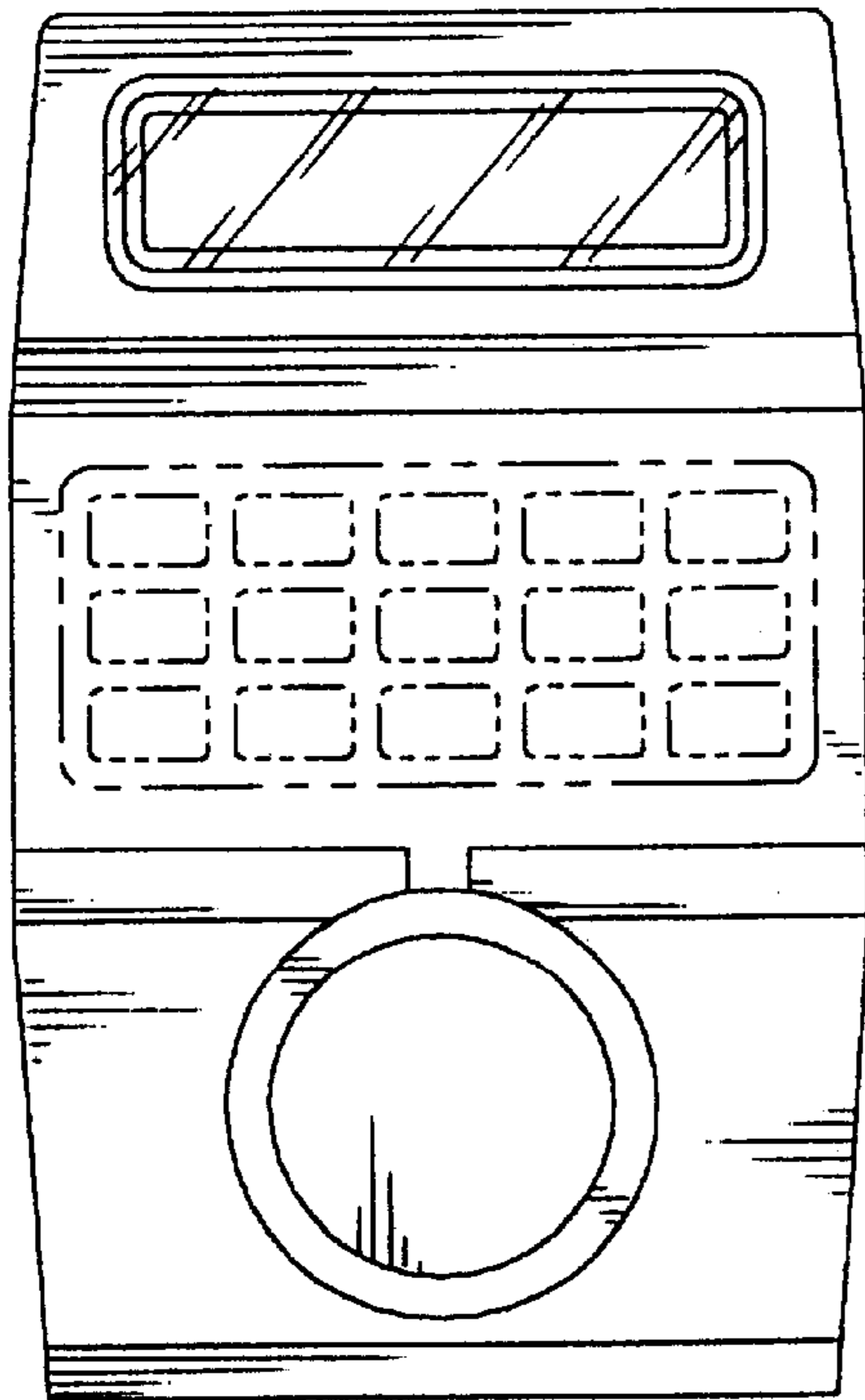


FIG. 4

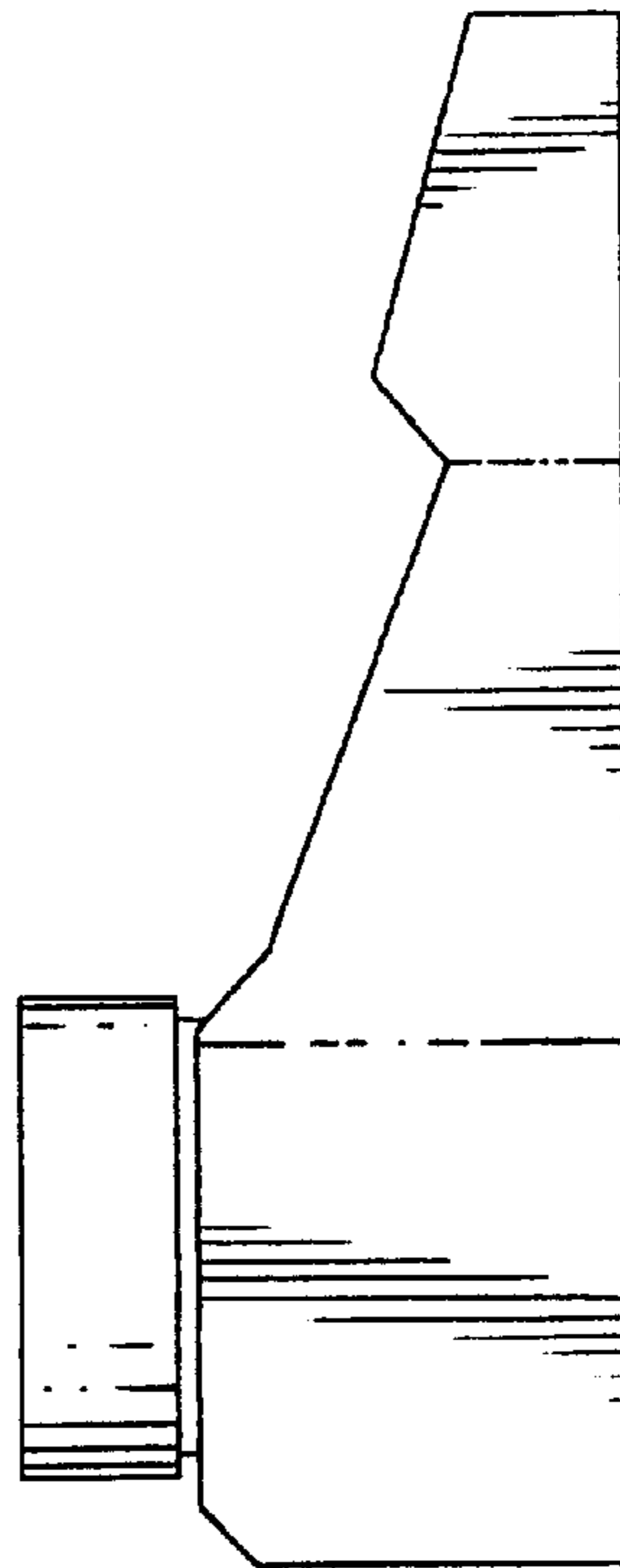


FIG. 5