



US00D452639B1

(12) **United States Design Patent**  
**Zurwelle**

(10) **Patent No.:** **US D452,639 S**

(45) **Date of Patent:** **\*\* Jan. 1, 2002**

(54) **SCREWDRIVER**

D426,125 S \* 6/2000 Hayakawa et al. .... D8/68

(75) Inventor: **Donald W. Zurwelle**, Lutherville, MD  
(US)

(73) Assignee: **Black & Decker Inc.**, Newark, DE  
(US)

(\*\*) Term: **14 Years**

(21) Appl. No.: **29/138,321**

(22) Filed: **Mar. 8, 1999**

**Related U.S. Application Data**

(63) Continuation of application No. 29/067,027, filed on Feb. 28, 1997, now Pat. No. Des. 406,740.

(51) **LOC (7) Cl.** ..... **08-01**

(52) **U.S. Cl.** ..... **D8/68**

(58) **Field of Search** ..... D8/68; 81/54.55,  
81/57.11, 57.13, 57.14, 57.43, 58.1, 59.1,  
62, 63.1, 177.4, 177.6, 436, 438, 474; 173/170;  
178/178, 217; 192/43.1; 408/124, 125

(56) **References Cited**

**U.S. PATENT DOCUMENTS**

- D280,797 S \* 10/1985 Sakamoto et al. .... D8/68
- D304,287 S 10/1989 Zurwelle
- D325,860 S \* 5/1992 Fushiya et al. .... D8/68
- D330,152 S \* 10/1992 Ogawa et al. .... D8/68
- D342,878 S \* 1/1994 Watanabe et al. .... D8/68
- D343,105 S \* 1/1994 Shibata et al. .... D8/68
- D344,000 S 2/1994 Shibata et al.
- D353,526 S 12/1994 Hoshino
- 5,524,512 A \* 6/1996 Wolfe ..... 81/57.14 X
- D406,742 S \* 3/1999 Schoen et al. .... D8/68

**OTHER PUBLICATIONS**

Black & Decker 1994 Catalog (Industry & Construction), p. 48 (Model 2660).

Bosch 1995 Catalog, p. 15 (Model No. 1423VSR).

Makita 1993 Catalog, p. 69 (Model No. 6801DVB).

Milwaukee 1995 Electric Tools Catalog 195 (For Contractors and Industry, p. 84 (Model 6543-1).

Porter Cable 1994 Catalog, p. 64 (Model No. 6640).

Skil Heavy Duty 1995 Catalog, p. 68 (Model No. HD6909).

\* cited by examiner

*Primary Examiner*—Antoine Duval Davis

(74) *Attorney, Agent, or Firm*—Michael P. Leary; Bruce S. Shapiro

(57) **CLAIM**

The ornamental design for a screwdriver, as shown and described.

**DESCRIPTION**

FIG. 1 is a front perspective view of a screwdriver showing my new design.

FIG. 2 is a right side elevational view thereof.

FIG. 3 is a left side elevational view thereof.

FIG. 4 is a top plan view thereof.

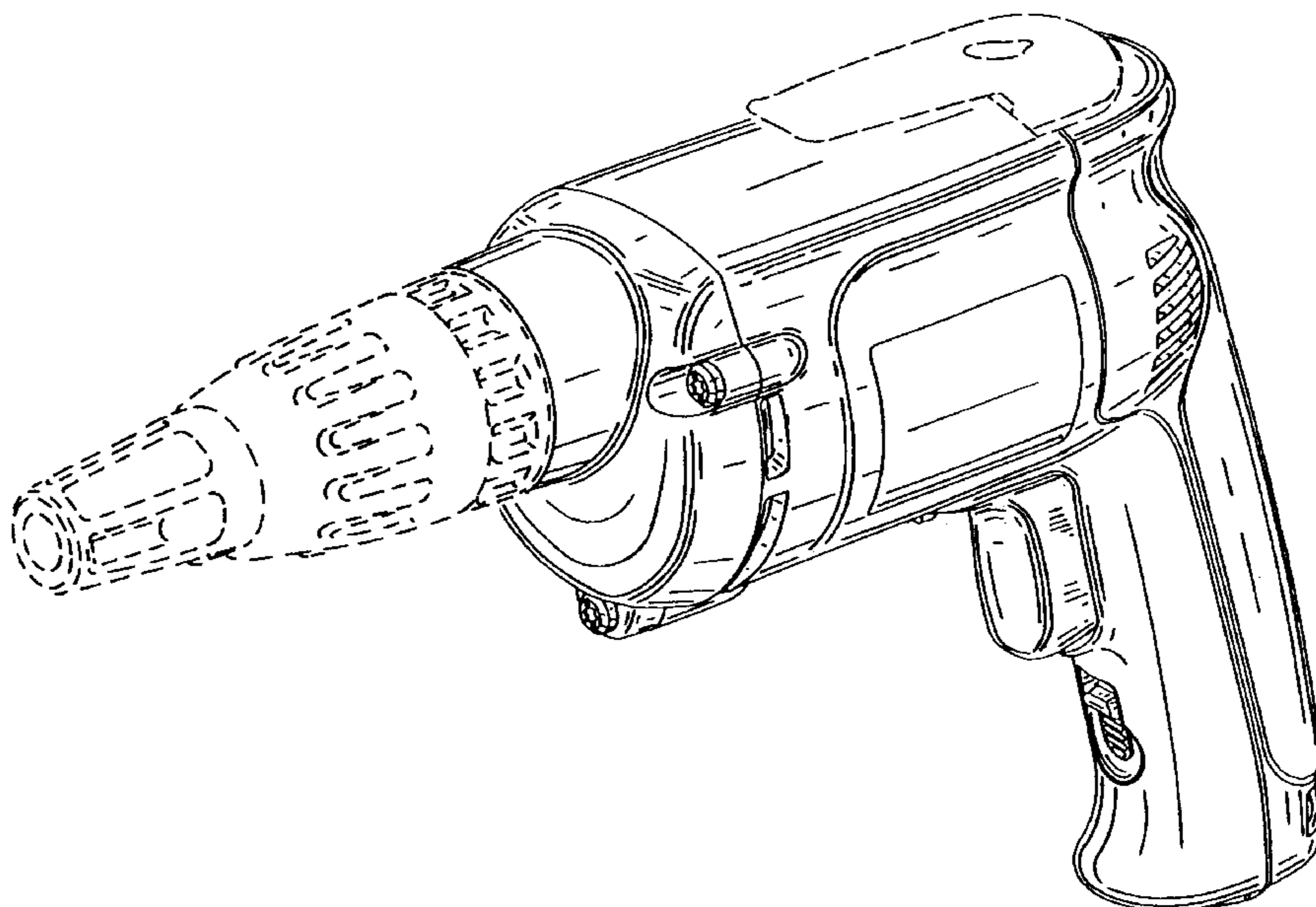
FIG. 5 is a bottom plan view thereof.

FIG. 6 is a front elevational view thereof; and,

FIG. 7 is a rear elevational view thereof.

The broken line showing of a nosepiece and of a belt clip are for illustrative purposes only and form no part of the claimed design.

**1 Claim, 5 Drawing Sheets**



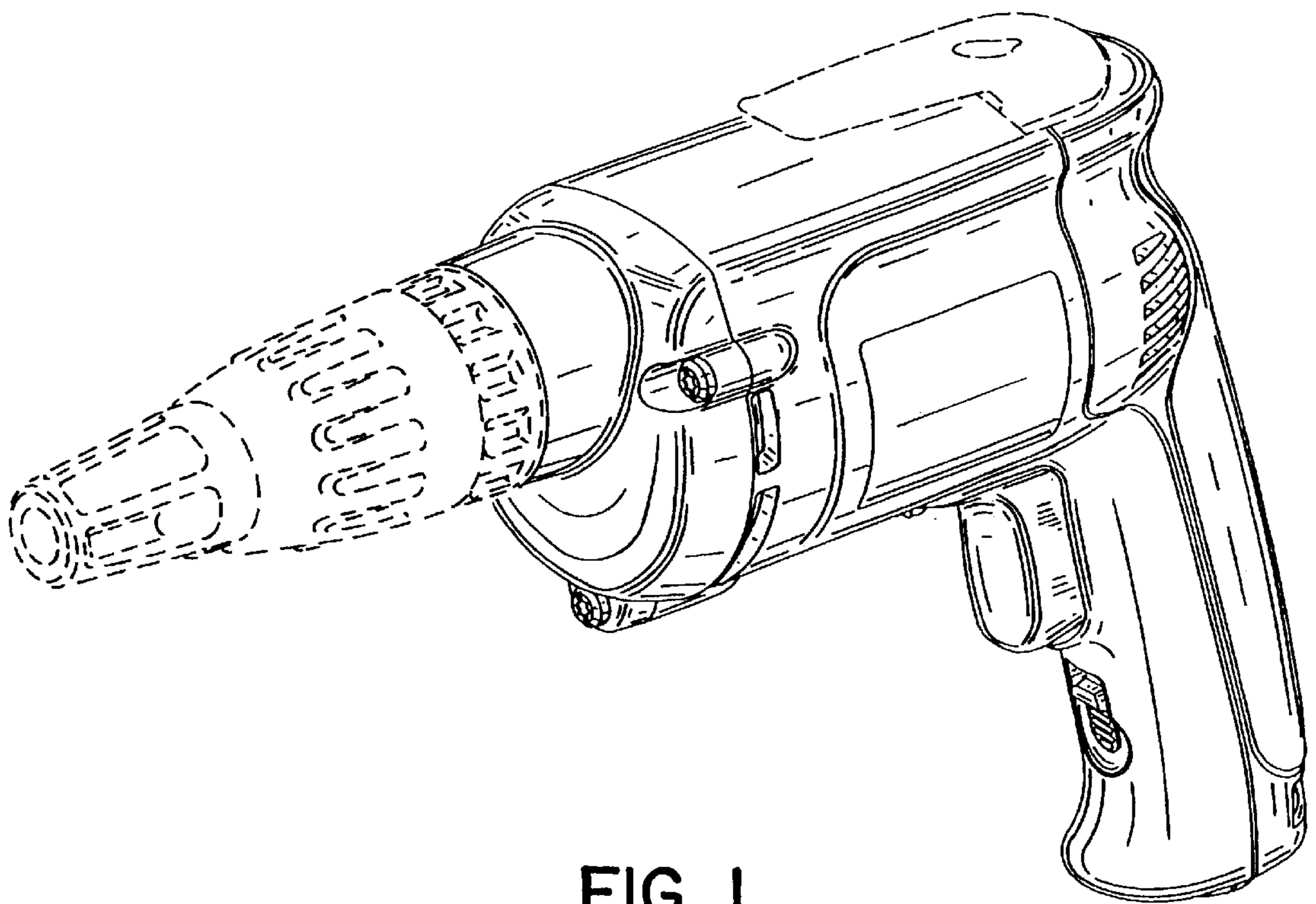


FIG. 1

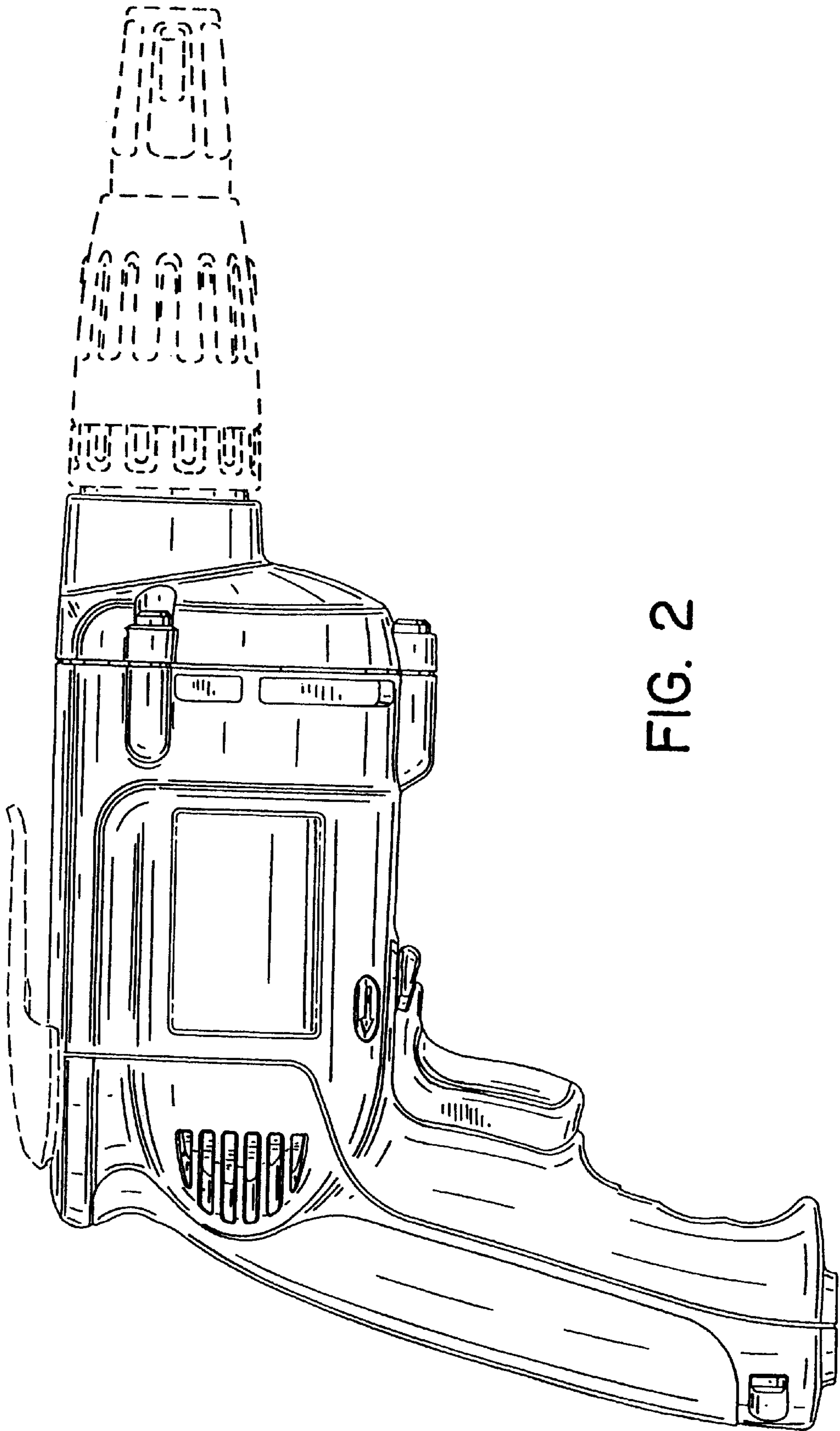


FIG. 2

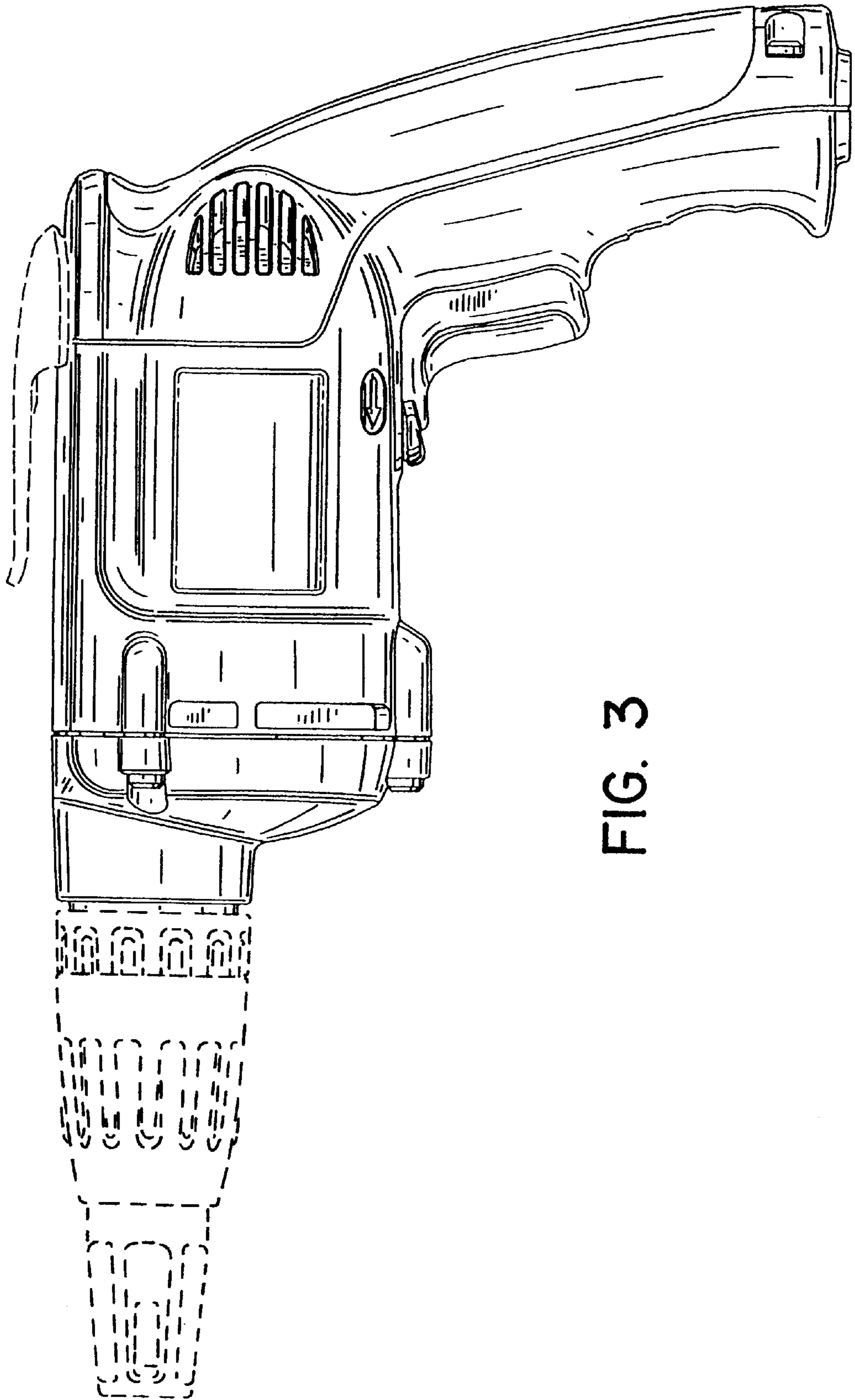


FIG. 3



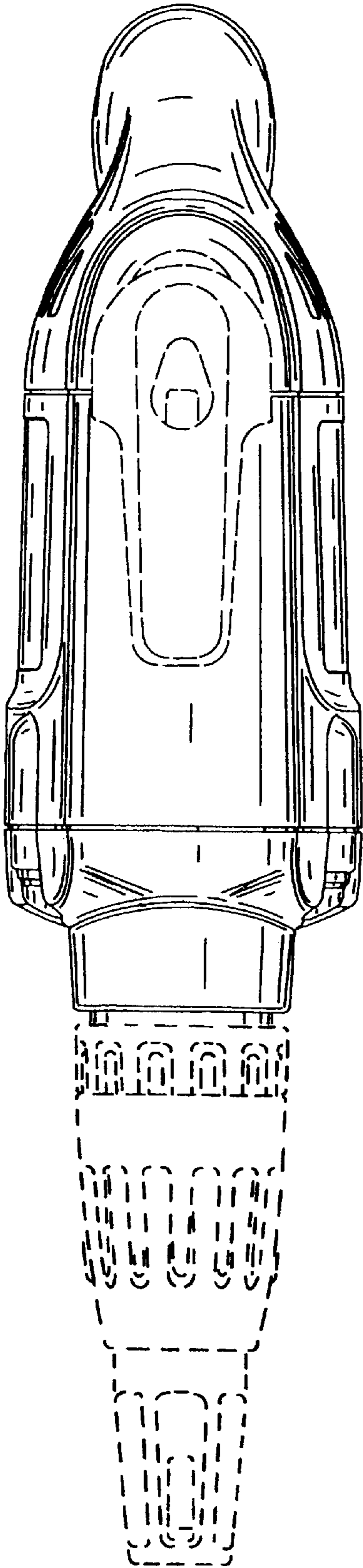


FIG. 4

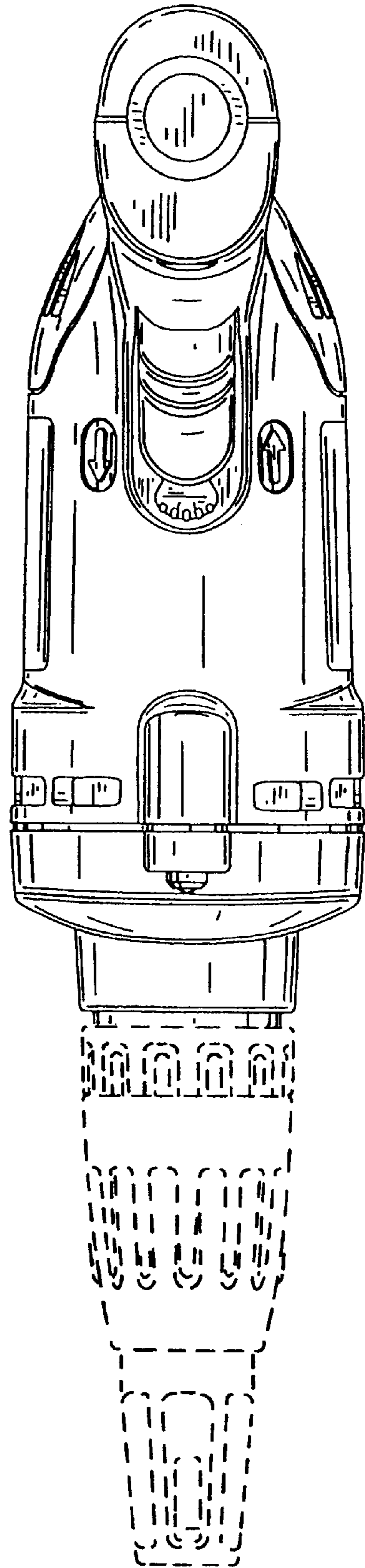


FIG. 5

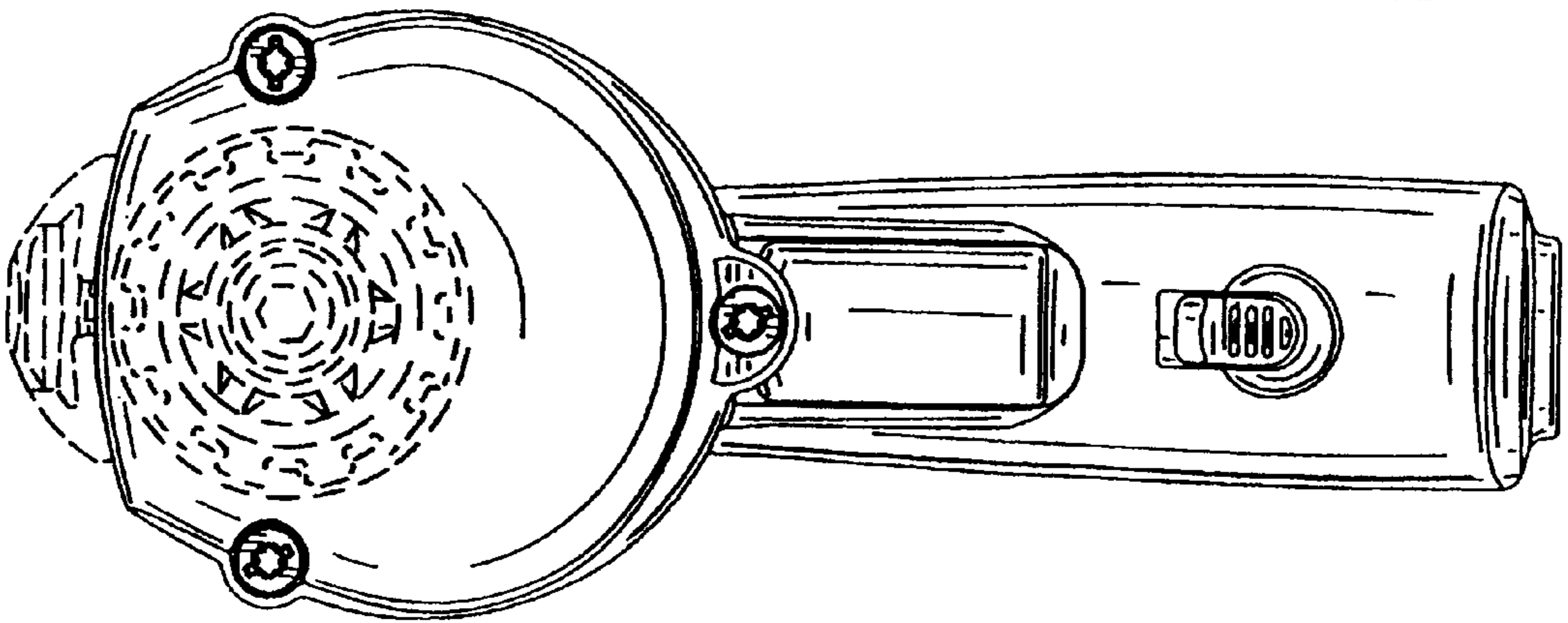


FIG. 6

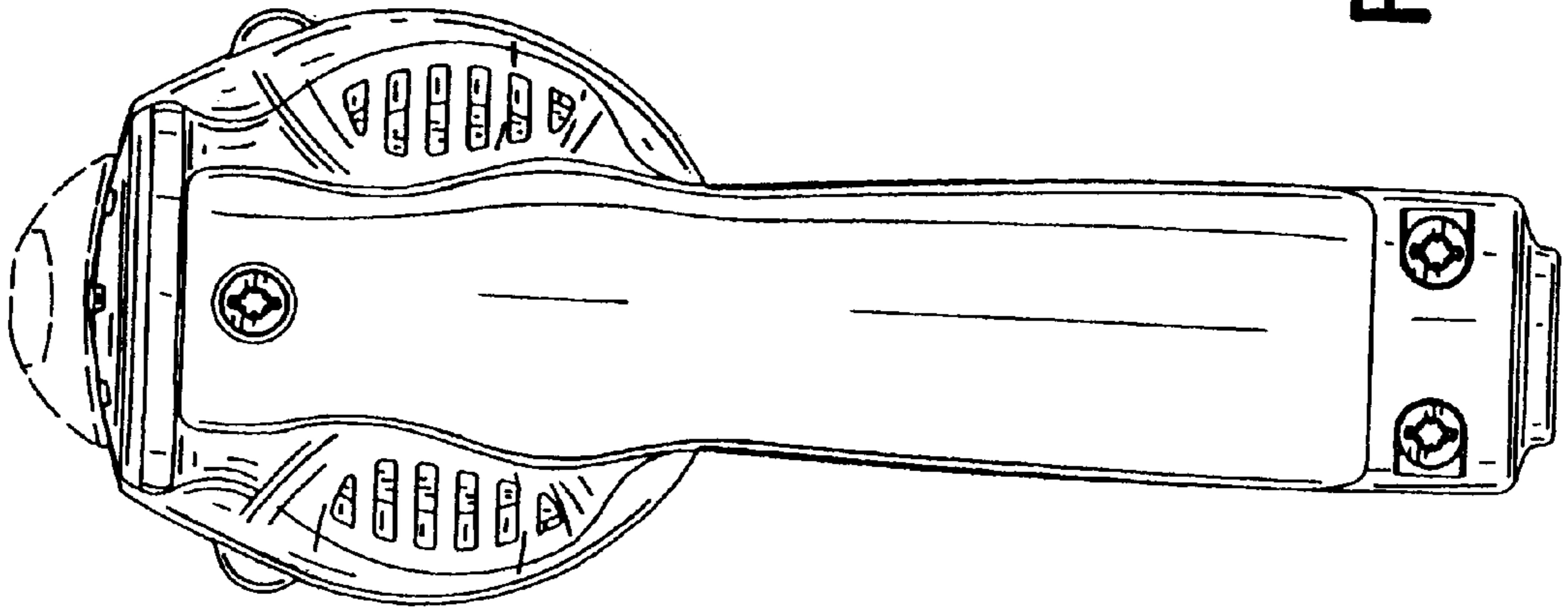


FIG. 7