



US00D452638B1

(12) **United States Design Patent**  
**Chen**

(10) **Patent No.:** **US D452,638 S**

(45) **Date of Patent:** **\*\* Jan. 1, 2002**

(54) **PNEUMATIC GRINDER**

(76) Inventor: **Lung-Hui Chen**, No. 296-1,  
Chung-Shan Rd., Chu-Pei City,  
Hsin-Chu Hsien (TW)

(\*\*) Term: **14 Years**

(21) Appl. No.: **29/143,756**

(22) Filed: **Jun. 20, 2001**

(51) **LOC (7) Cl.** ..... **08-01**

(52) **U.S. Cl.** ..... **D8/62**

(58) **Field of Search** ..... D8/61, 62, 63,  
D8/64, 66, 67, 68, 69; 81/54, 57.11, 57.14;  
310/50; 408/124; 451/344, 356, 357, 358,  
359

(56) **References Cited**

**U.S. PATENT DOCUMENTS**

D269,588 S	*	7/1983	Ludwig	.....	D8/61
4,538,483 A	*	9/1985	Batten	.....	81/57.14
D289,136 S	*	4/1987	Doman	.....	D8/62
D327,830 S	*	7/1992	Fisher	.....	D8/68
D357,849 S	*	5/1995	Izumisawa	.....	D8/62
D358,314 S	*	5/1995	Izumisawa	.....	D8/62

D364,544 S	*	11/1995	Izumisawa	.....	D8/62
D370,163 S	*	5/1996	Hurd	.....	D8/68
D430,995 S	*	9/2000	Izumisawa	.....	D8/61
D437,760 S	*	2/2001	Izumisawa	.....	D8/68
D444,365 S	*	7/2001	Bass et al.	.....	D8/68
D447,033 S	*	8/2001	Izumisawa	.....	D8/68

\* cited by examiner

*Primary Examiner*—Doris V. Coles

*Assistant Examiner*—Elizabeth A. Albert

(74) *Attorney, Agent, or Firm*—Bacon & Thomas, PLLC

(57) **CLAIM**

The ornamental design for “pneumatic grinder”, as shown and described.

**DESCRIPTION**

FIG. 1 is a perspective view of “pneumatic grinder” showing our new design thereof;

FIG. 2 is a right side elevational view;

FIG. 3 is a top plan view thereof;

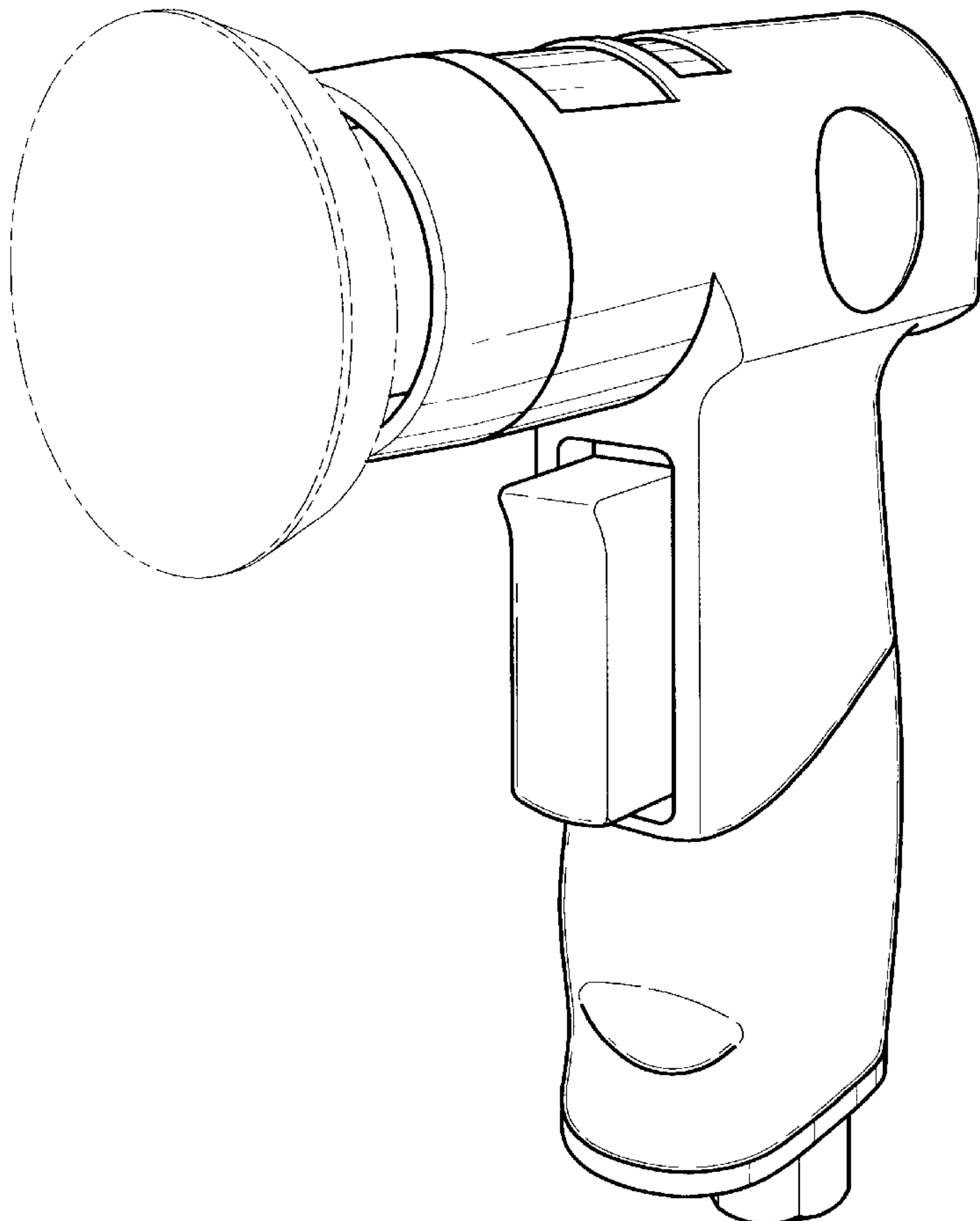
FIG. 4 is a front side elevational view;

FIG. 5 is a bottom plan view thereof.;

FIG. 6 is a left side elevational view; and,

FIG. 7 is a rear side elevational view.

**1 Claim, 6 Drawing Sheets**



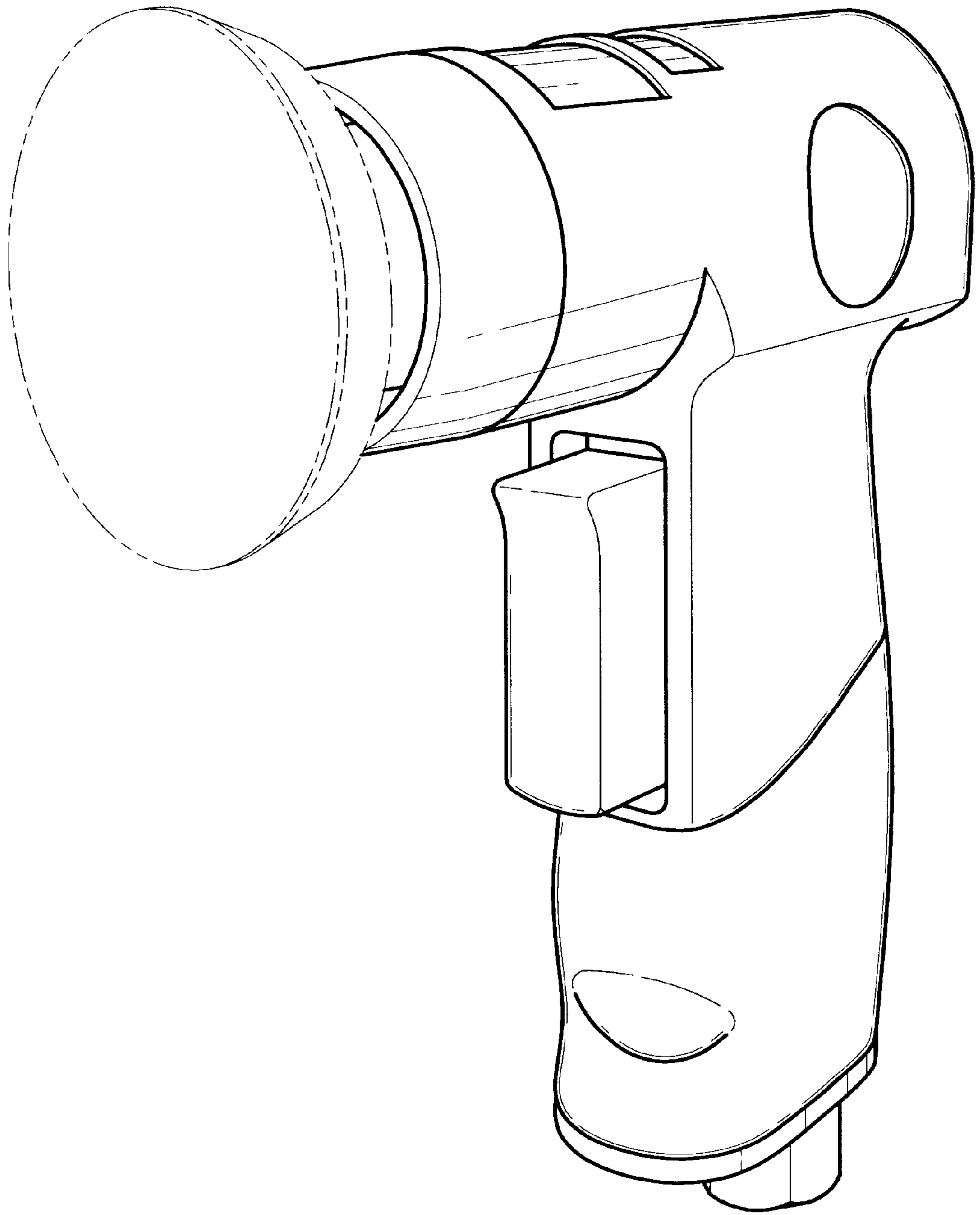


Fig. 1

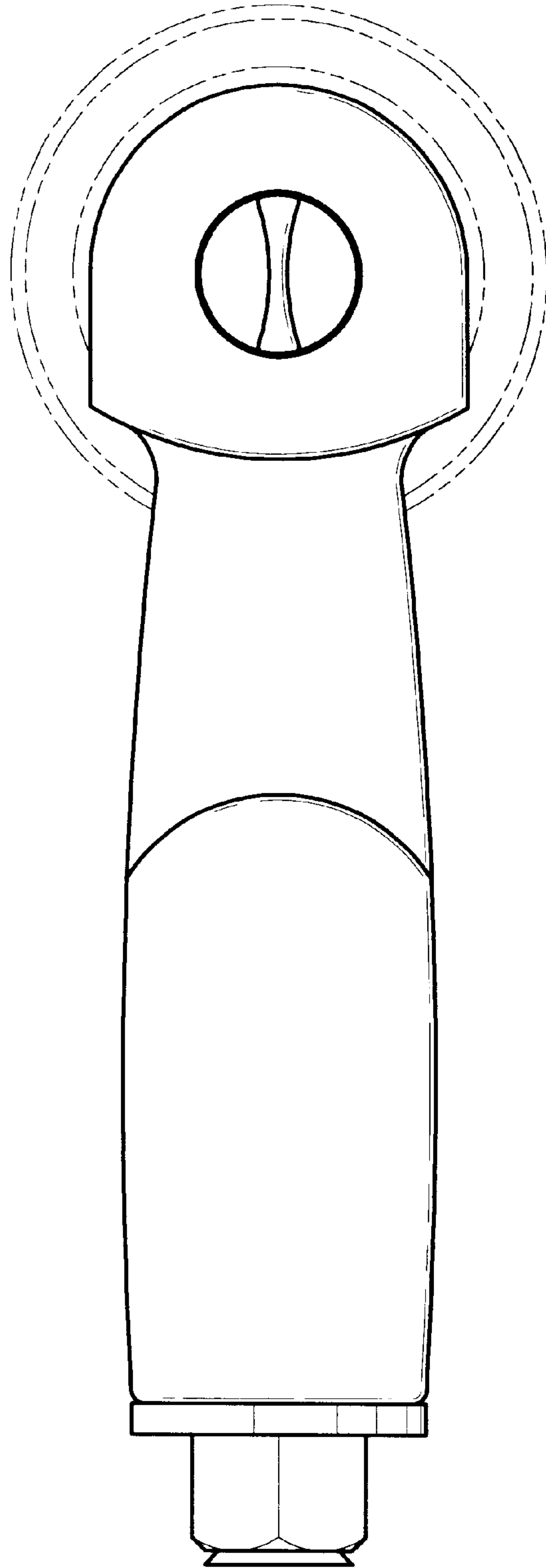


Fig. 2

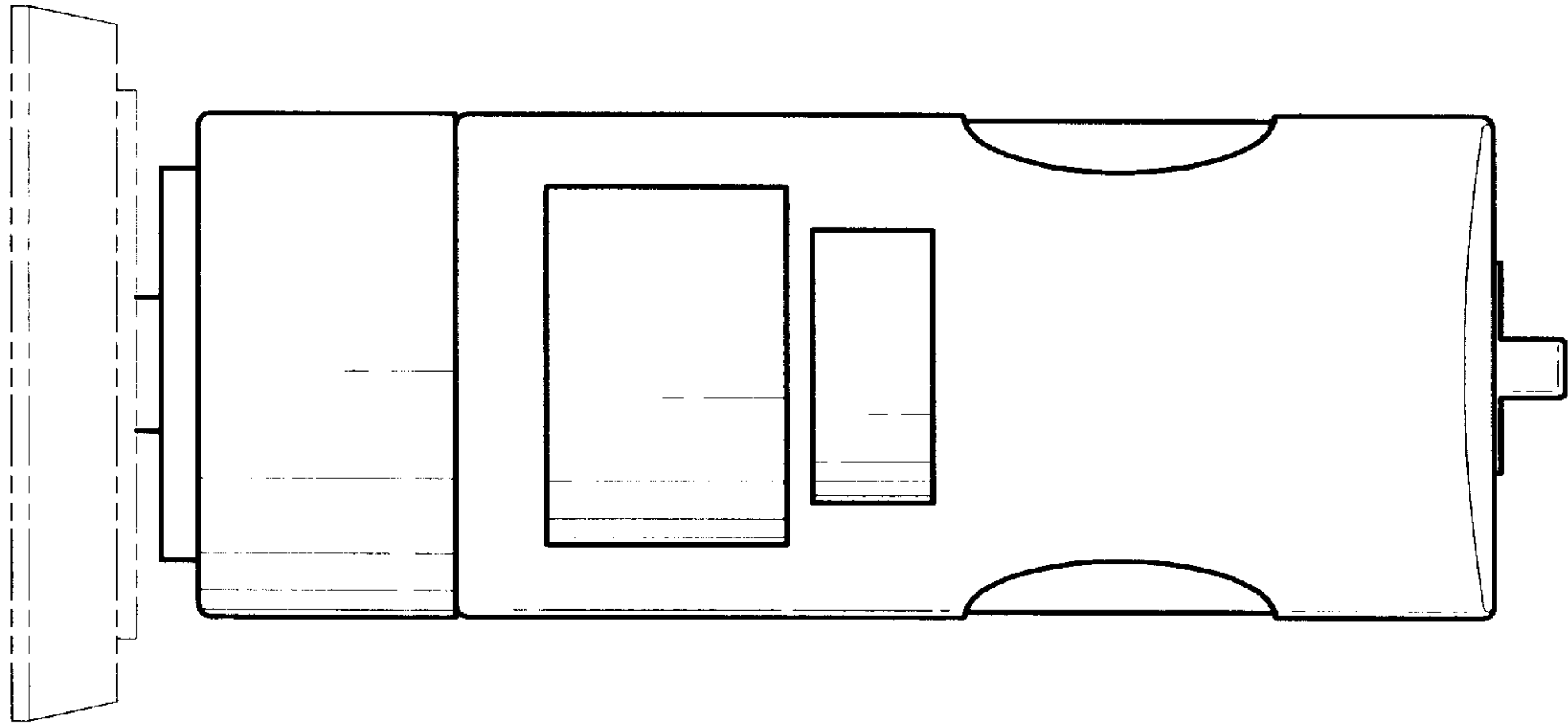


Fig. 3

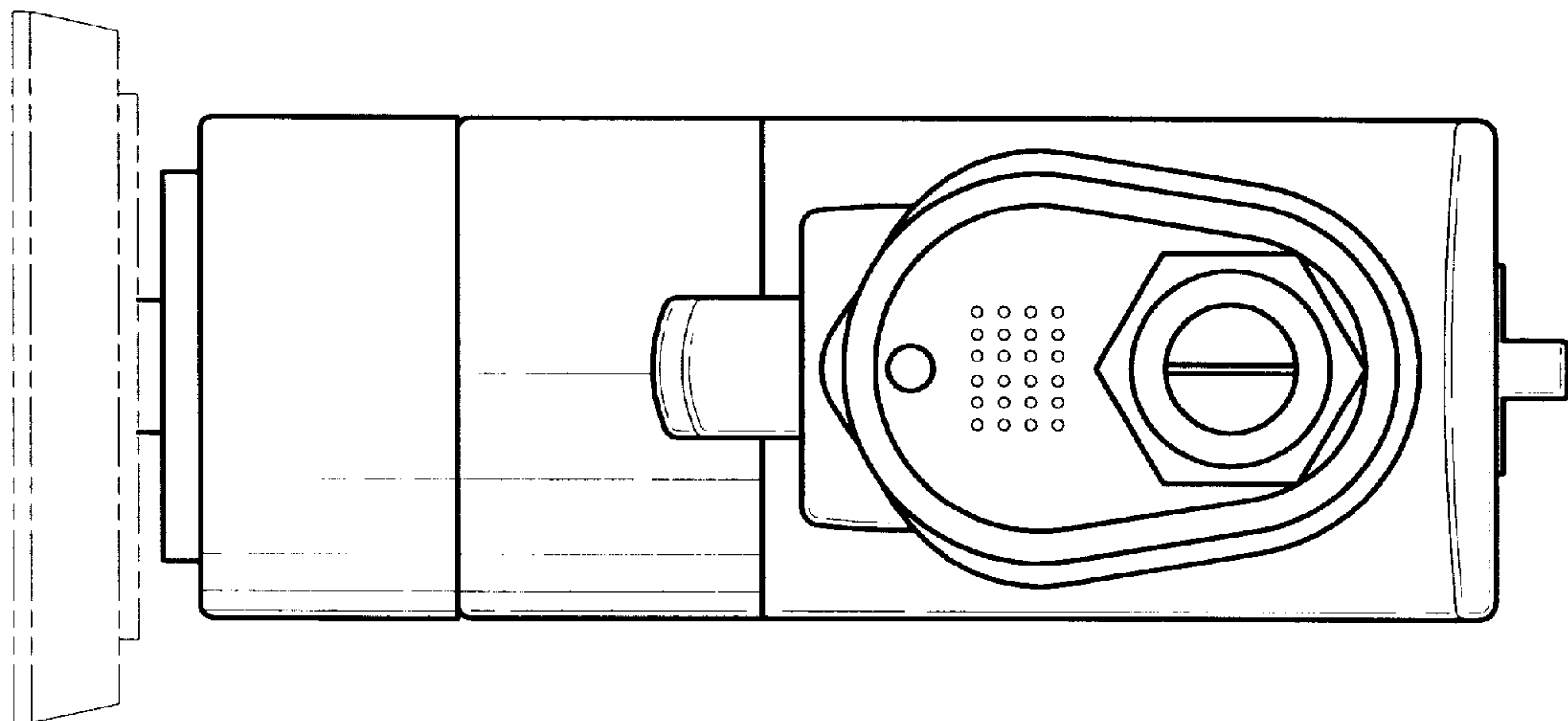


Fig. 5

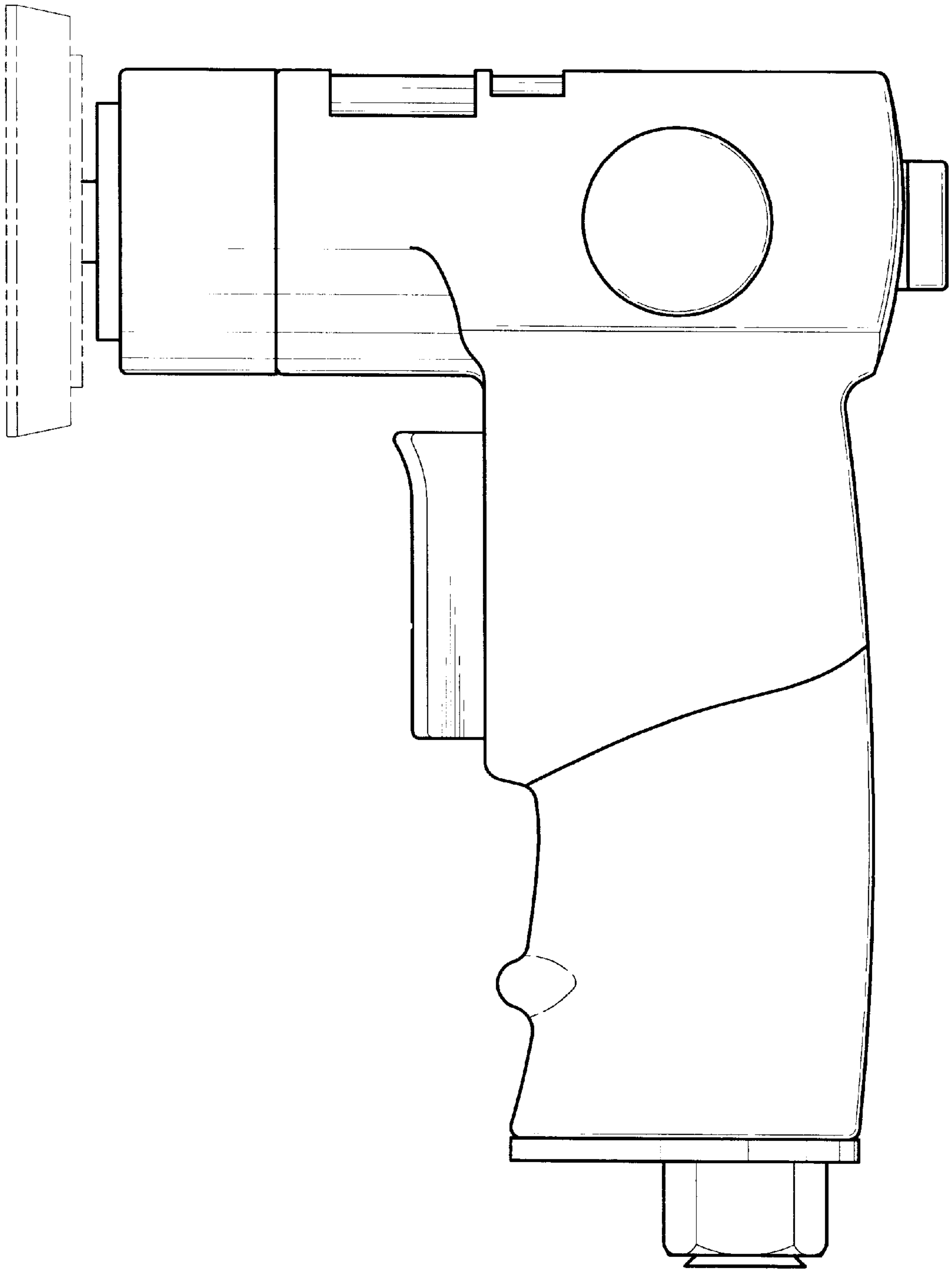


Fig.4

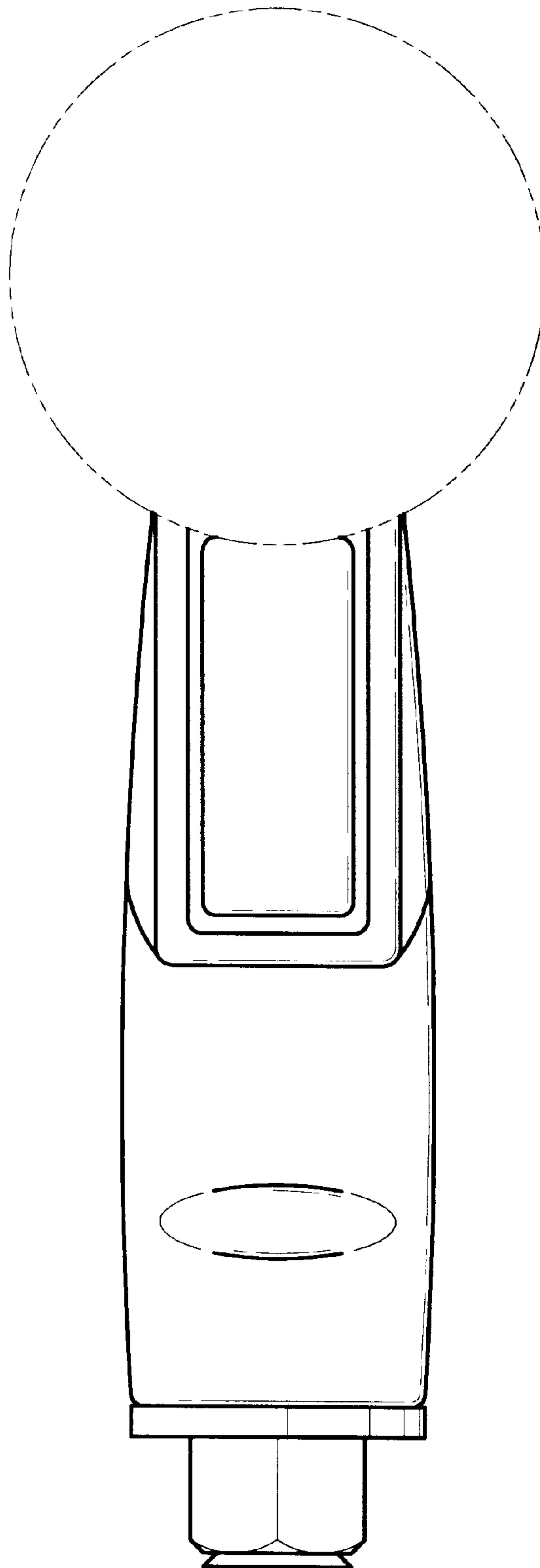


Fig. 6

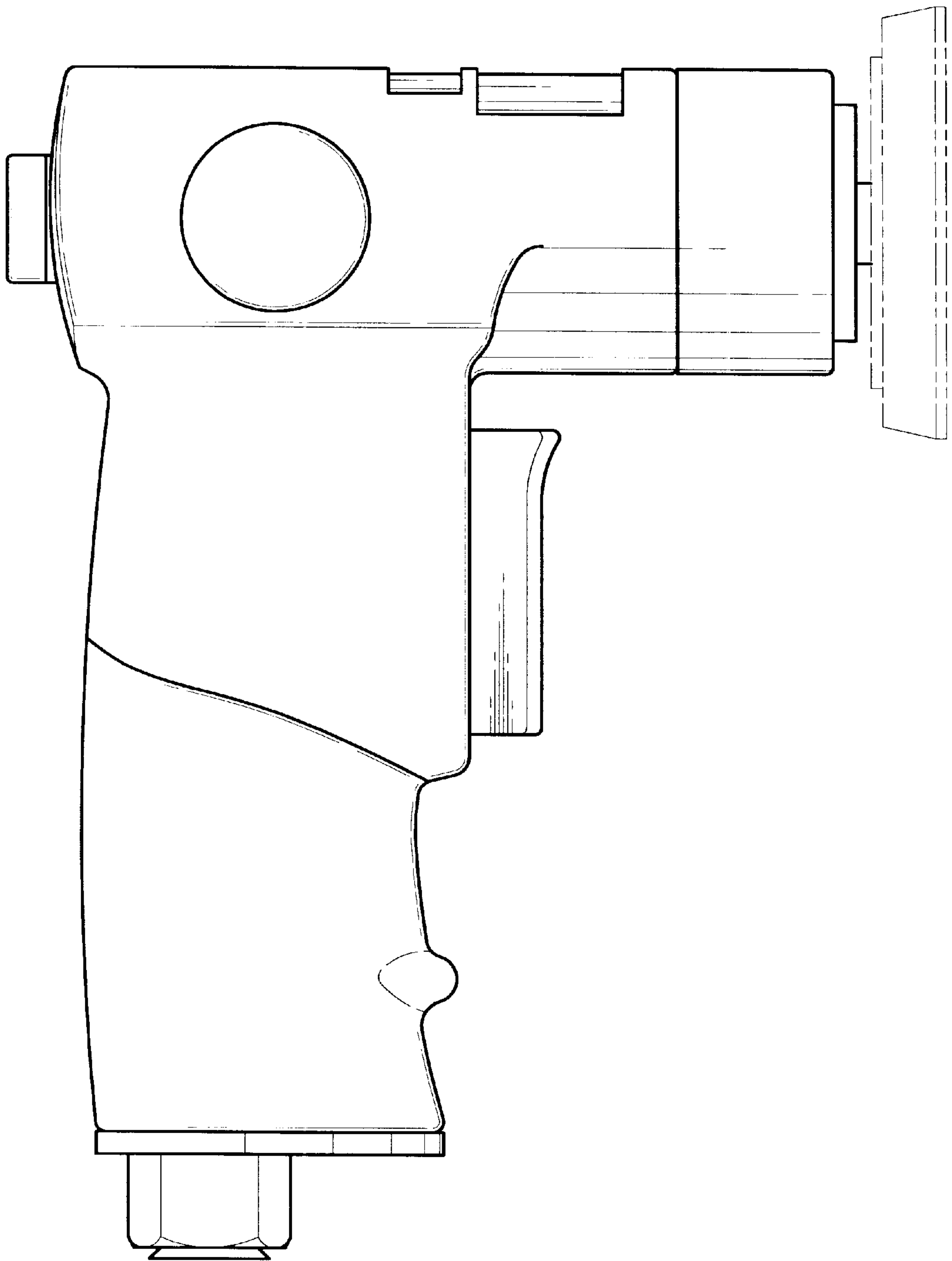


Fig.7