



US00D452637B1

(12) **United States Design Patent**
Reed et al.

(10) **Patent No.:** **US D452,637 S**

(45) **Date of Patent:** **** Jan. 1, 2002**

(54) **NUTCRACKER**

(74) *Attorney, Agent, or Firm*—Leonard Bloom

(75) **Inventors:** **Arthur David Reed**, Little Rock;
Clarence Arthur Reed, North Little
Rock, both of AR (US)

(57) **CLAIM**

The ornamental design for a nutcracker, as shown and described.

(73) **Assignee:** **Reed Machine Company**, Little Rock,
AR (US)

DESCRIPTION

(**) **Term:** **14 Years**

FIG. 1 is a front perspective view of a nutcracker showing our new design the handle being shown in its closed position.

(21) **Appl. No.:** **29/136,351**

FIG. 2 is a rear perspective view thereof.

(22) **Filed:** **Jan. 30, 2001**

FIG. 3 is a left side elevational view thereof.

(51) **LOC (7) Cl.** **07-06**

(52) **U.S. Cl.** **D7/680**

(58) **Field of Search** D7/680; 30/120.1–120.5;
99/580, 581; 100/234

FIG. 4 is a right side elevational view thereof.

FIG. 5 corresponds to FIG. 3, but shows the handle in its open position.

(56) **References Cited**

U.S. PATENT DOCUMENTS

3,578,047	A	*	5/1971	Diggs	D7/680
D221,977	S	*	9/1971	Pike	D7/680
D231,181	S	*	4/1974	Wehr	D7/680
4,255,855	A	*	3/1981	Brazil	30/120.5
5,333,384	A	*	8/1994	Graves	30/120.2

FIG. 6 is a view looking down on the working position of the nutcracker, taken along the lines 6—6 of FIG. 5.

FIG. 7 is a top view of the nutcracker of FIG. 1 the handle, again, being in its closed position.

FIG. 8 is a bottom plan view thereof.

OTHER PUBLICATIONS

Applicants' promotional literature showing the old design.

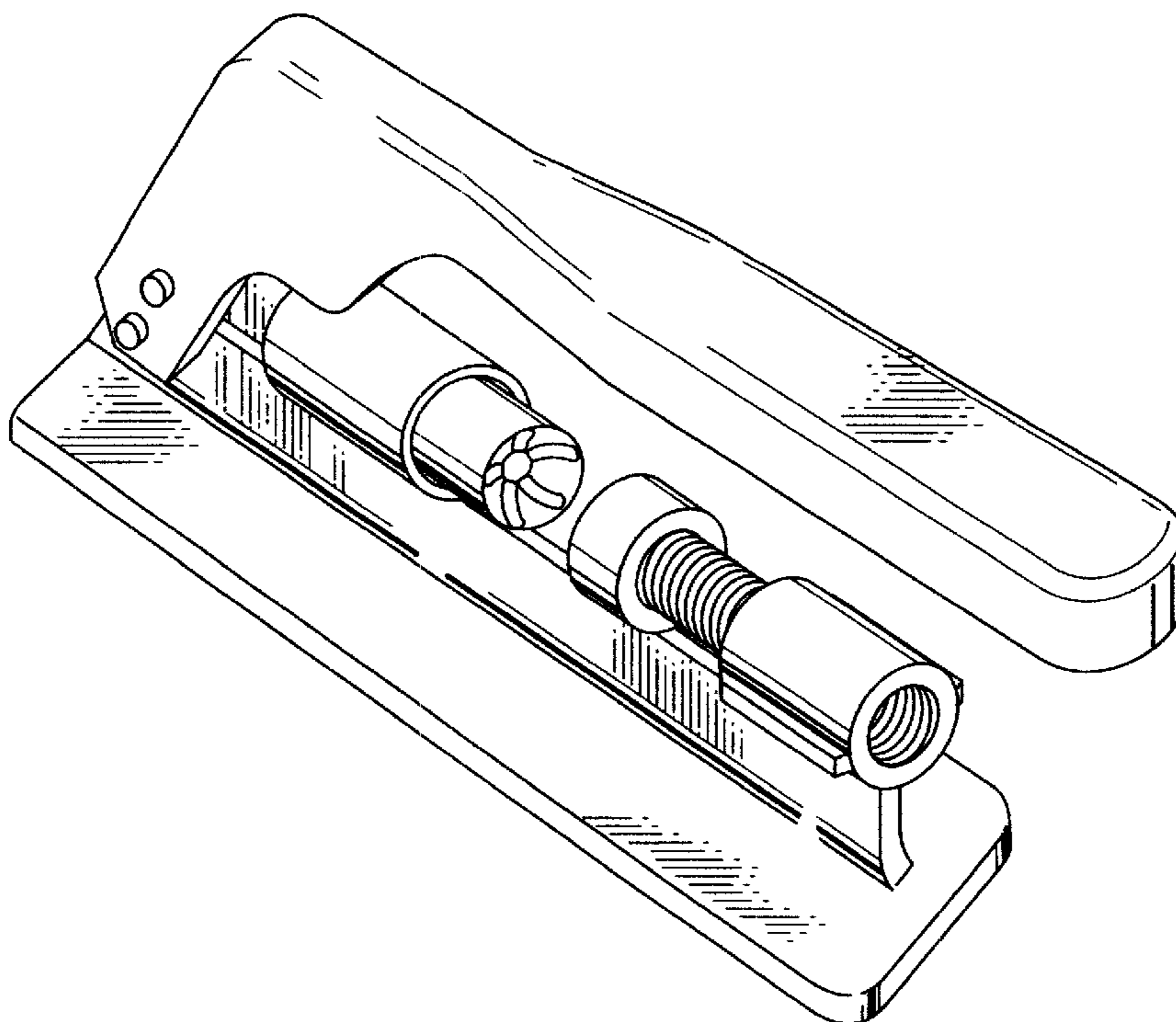
FIG. 9 is a front end view thereof; and,

FIG. 10 is a rear end view thereof.

* cited by examiner

Primary Examiner—Terry A. Wallace

1 Claim, 3 Drawing Sheets



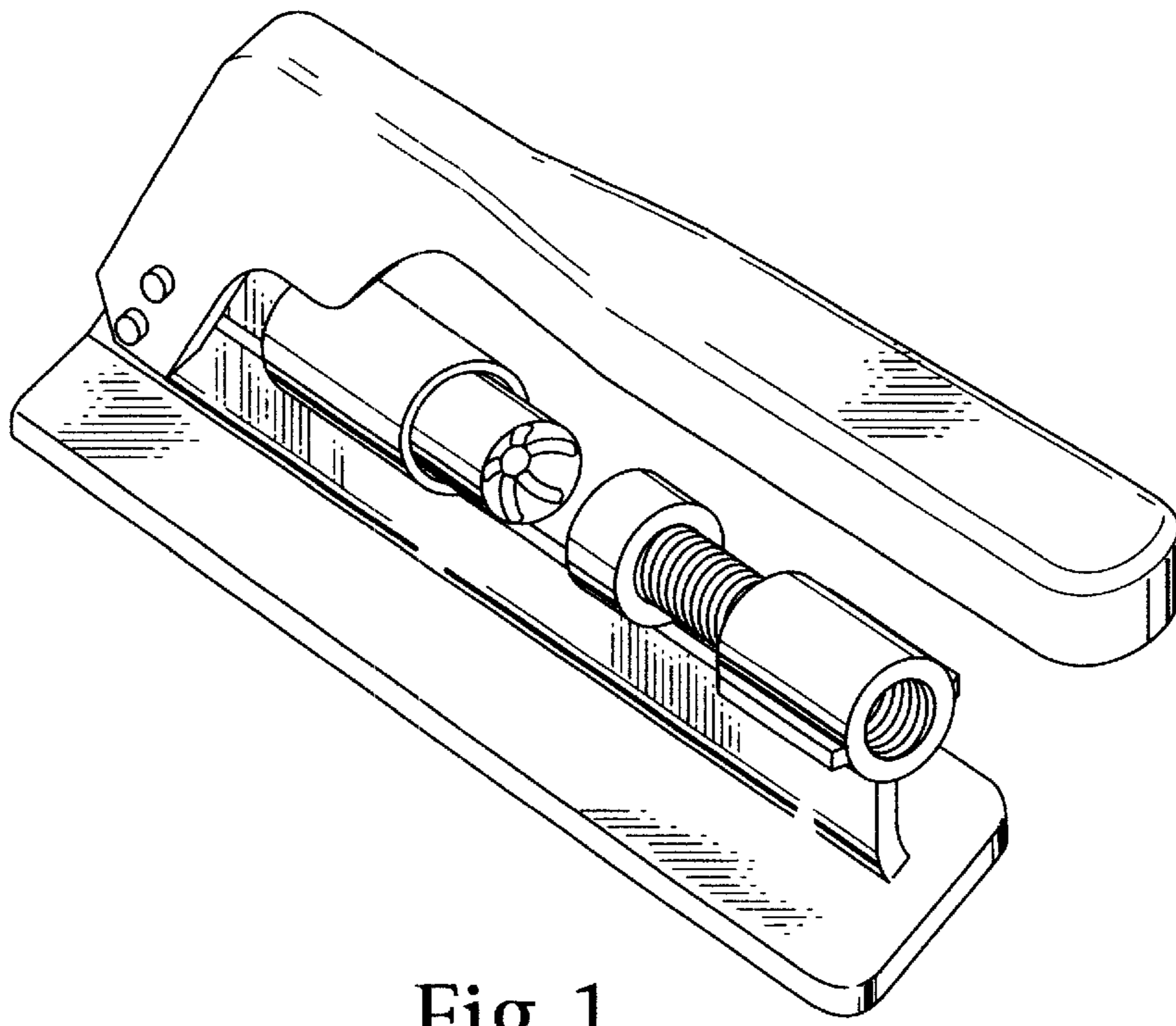


Fig 1

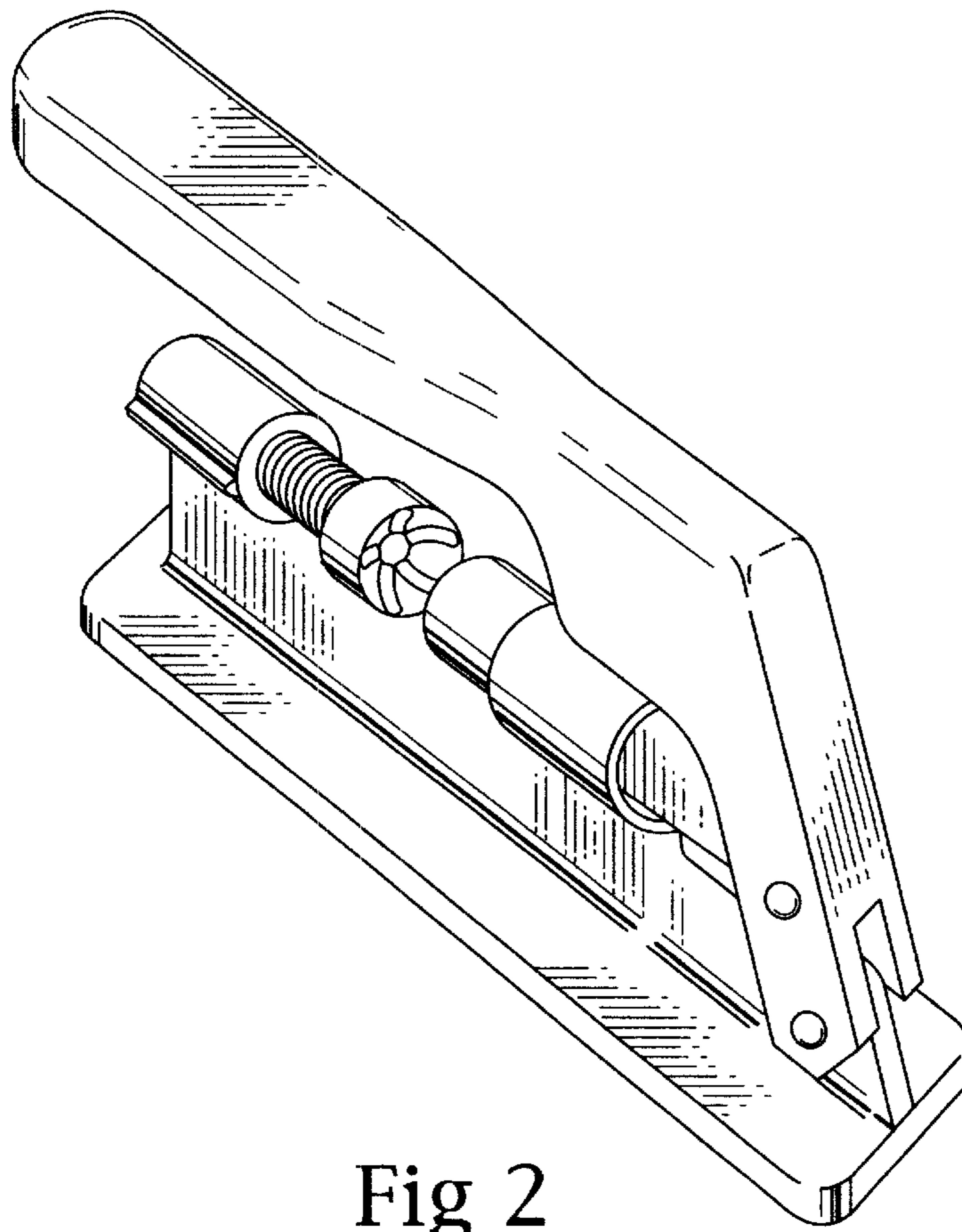


Fig 2

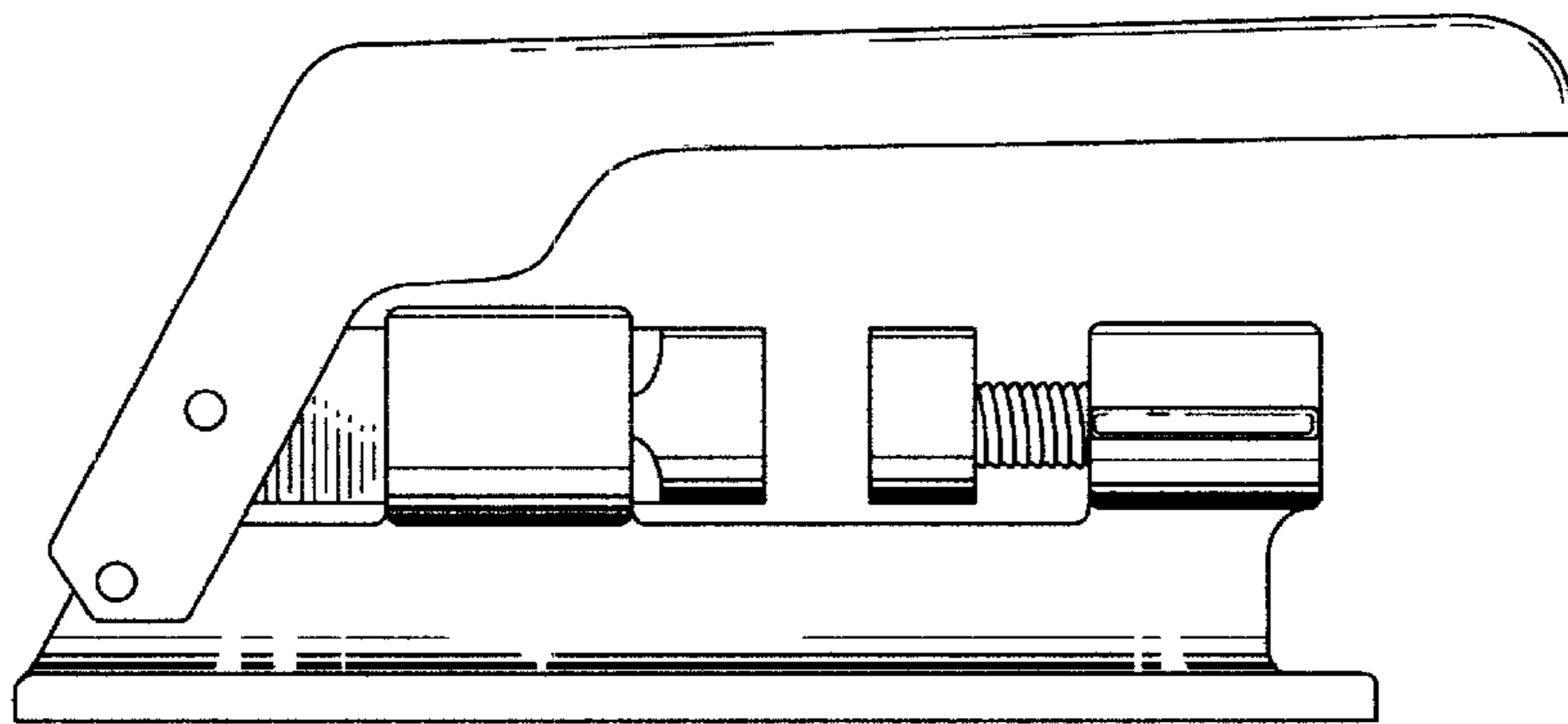


Fig 3

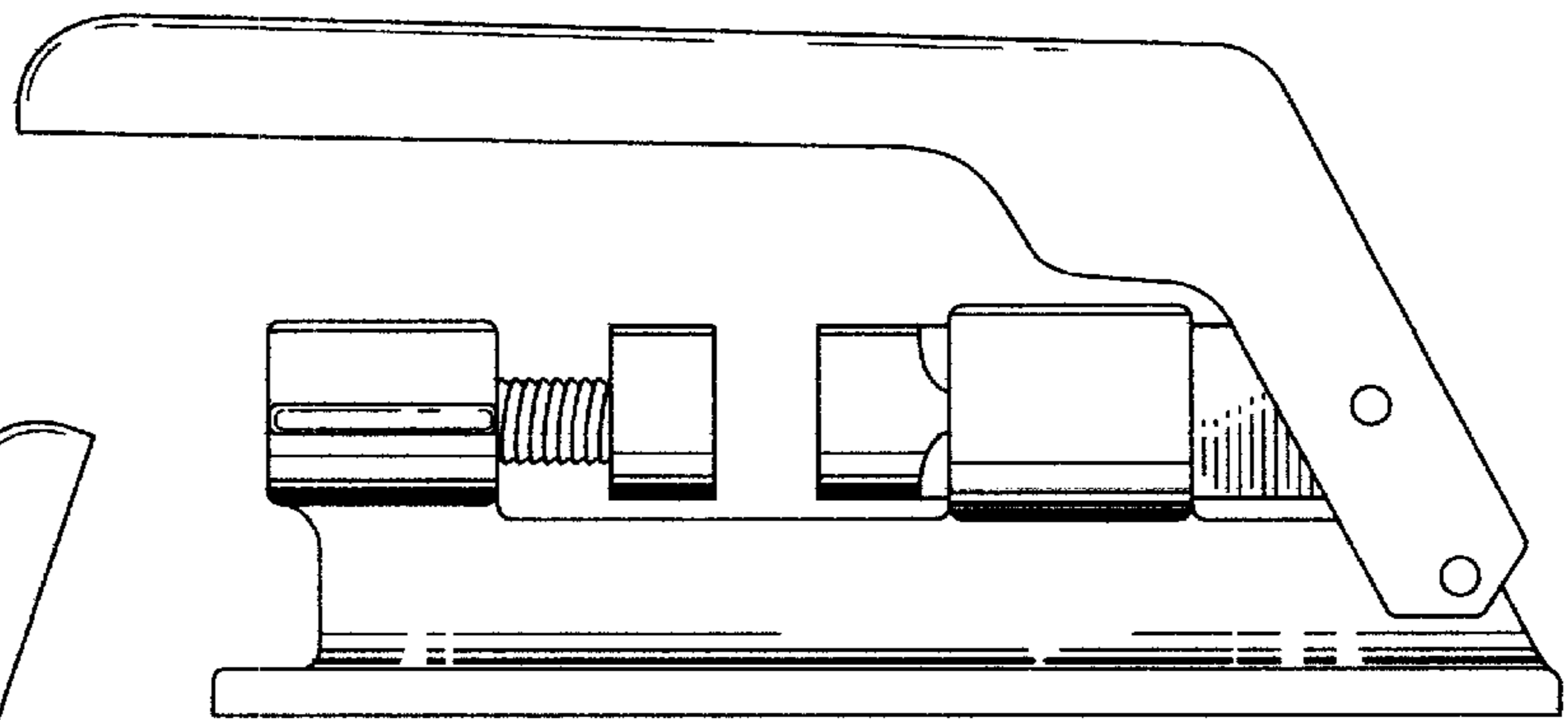


Fig 4

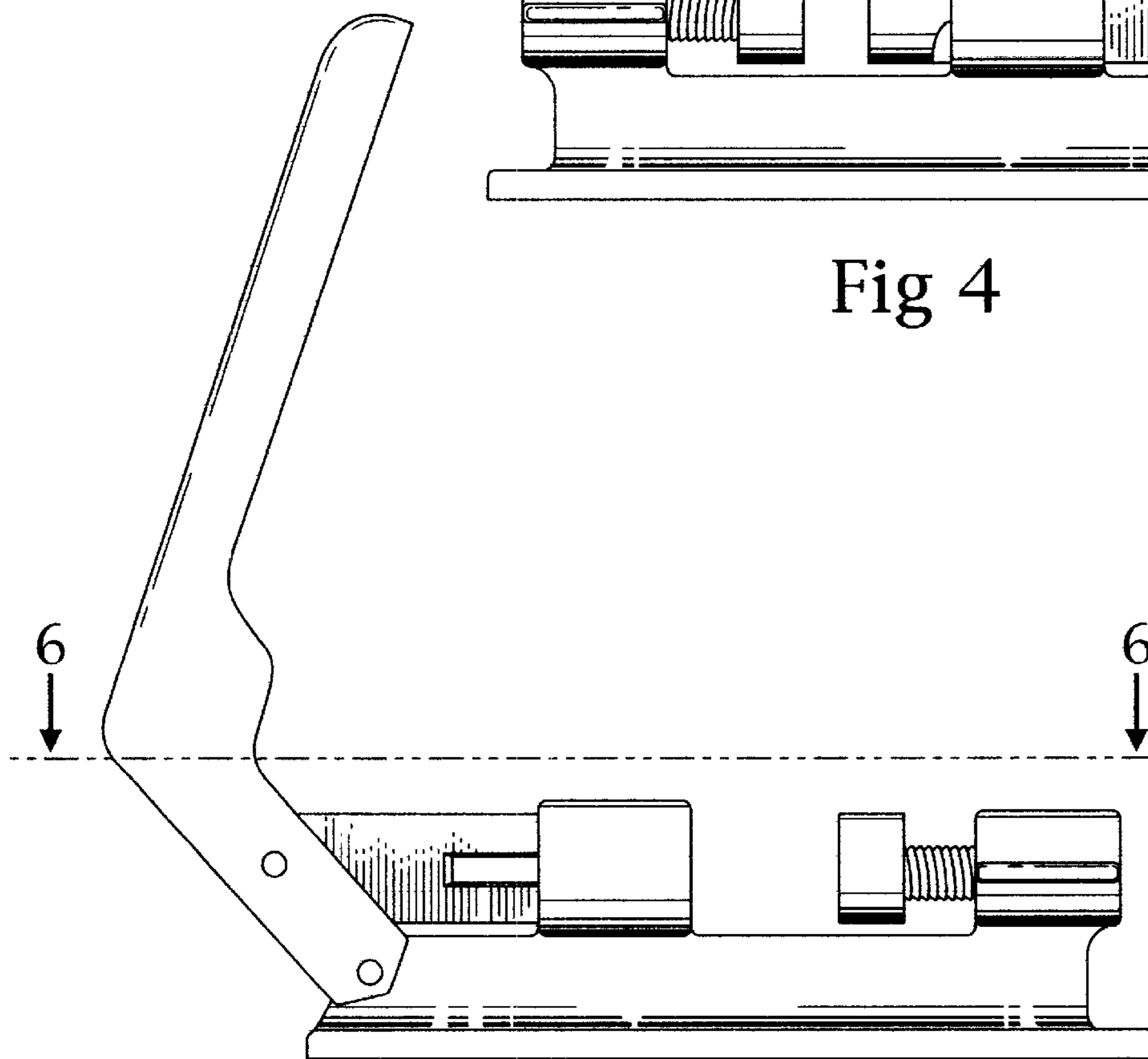


Fig 5

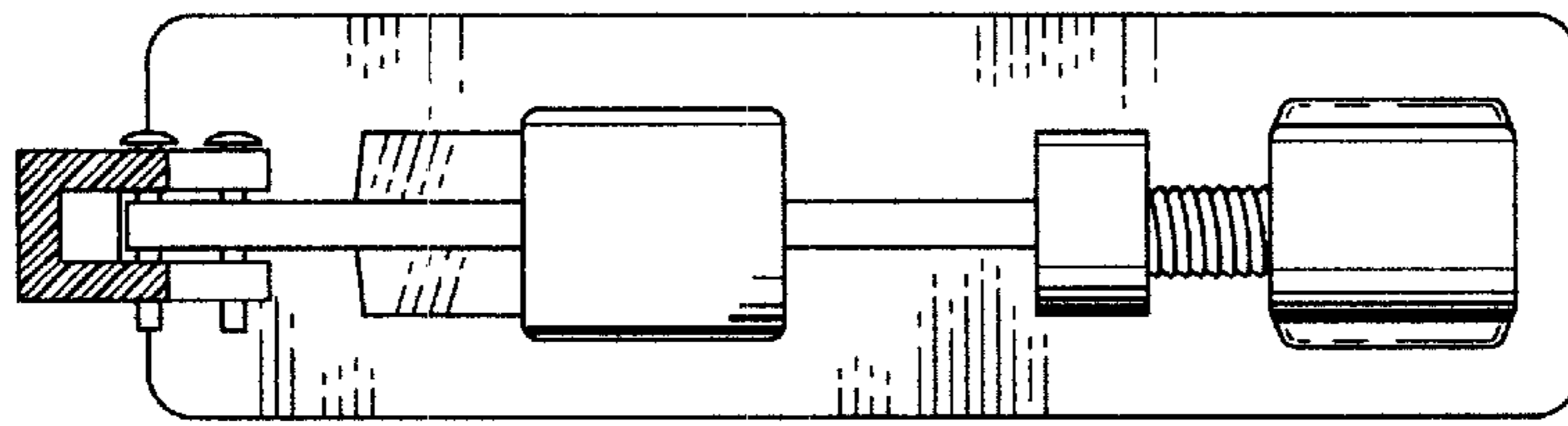


Fig 6

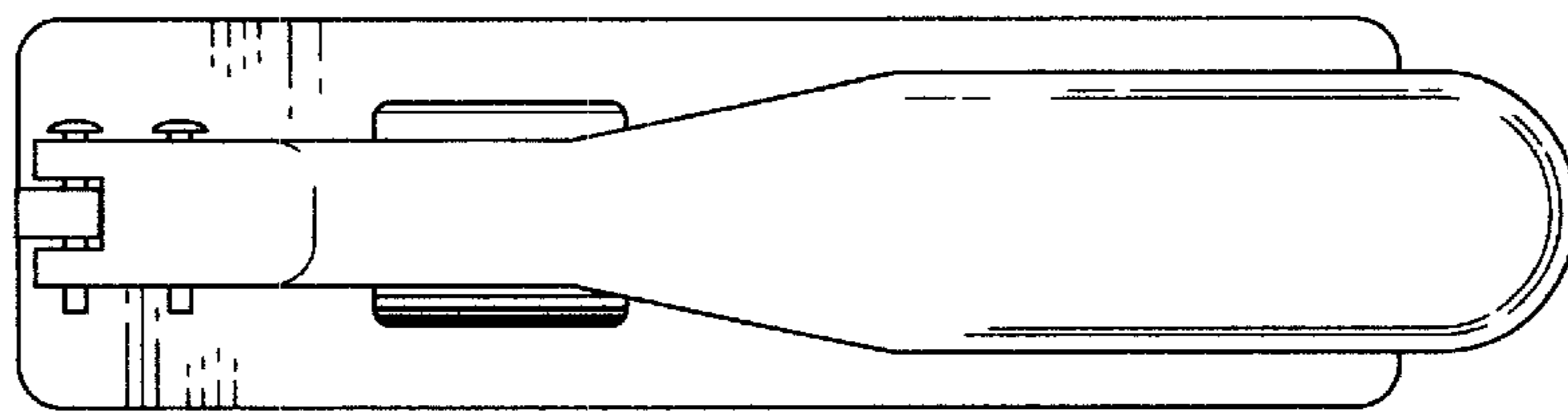


Fig 7

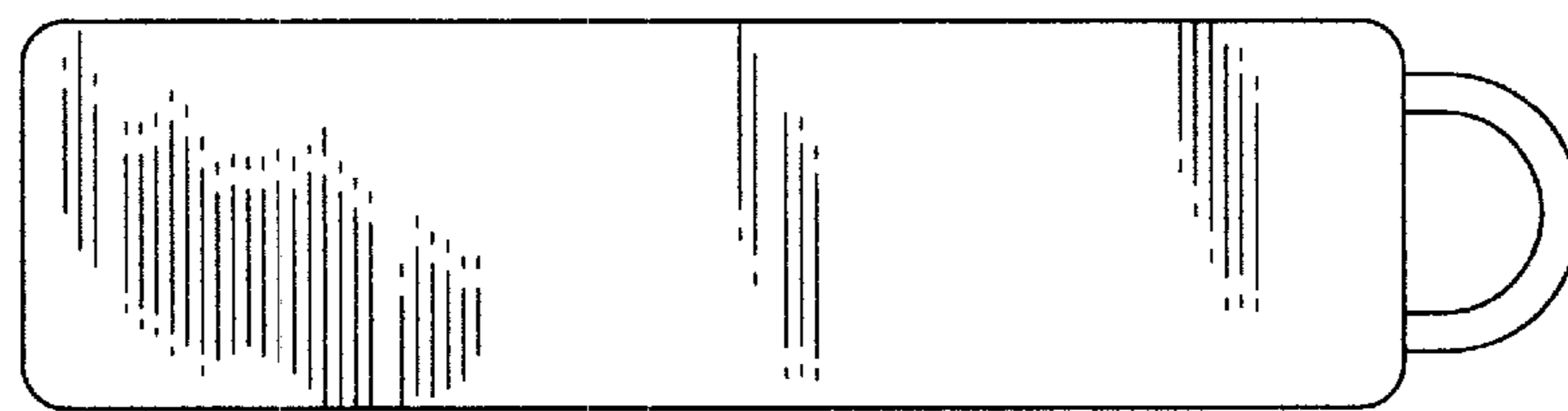


Fig 8

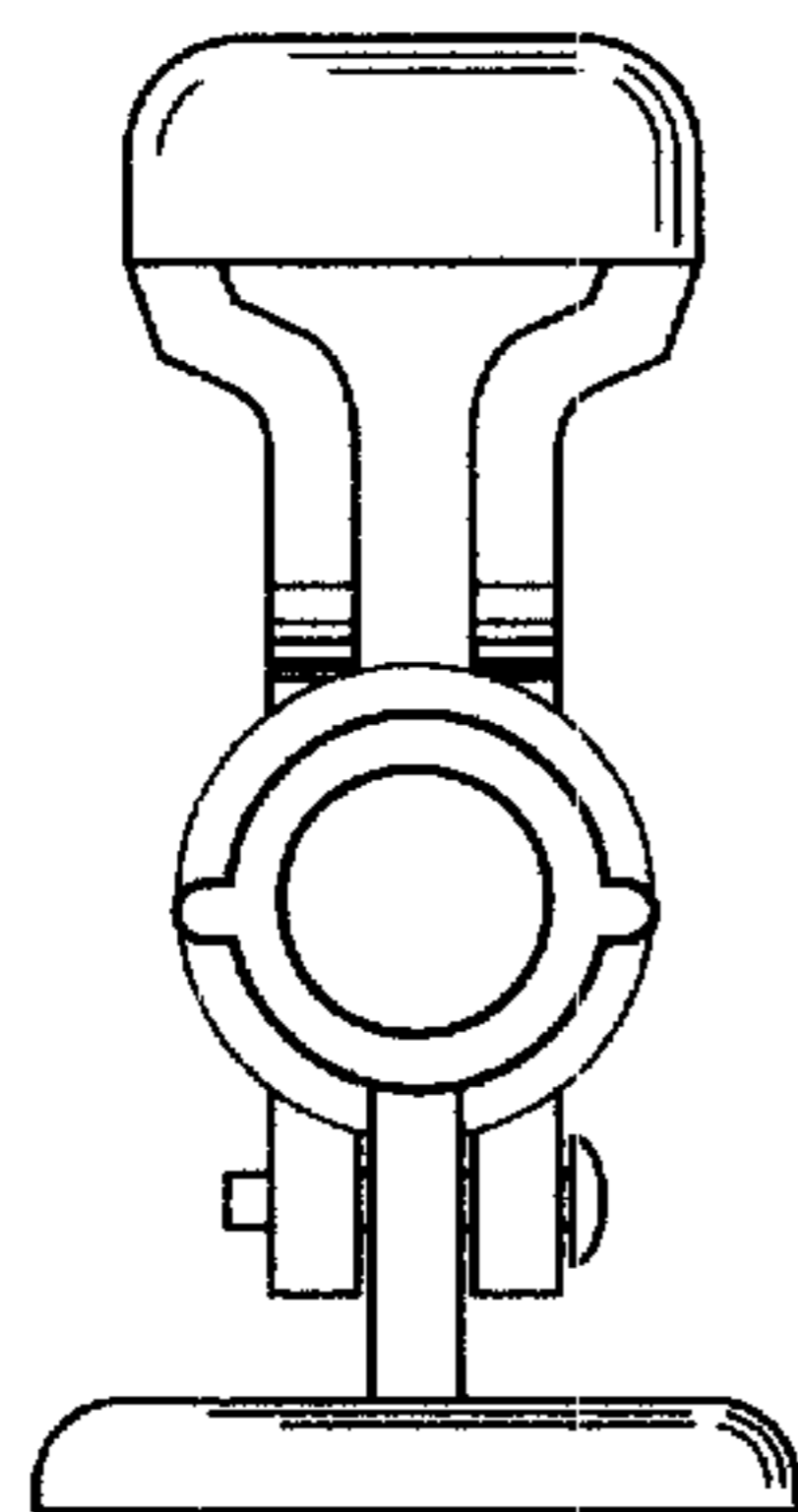


Fig 9

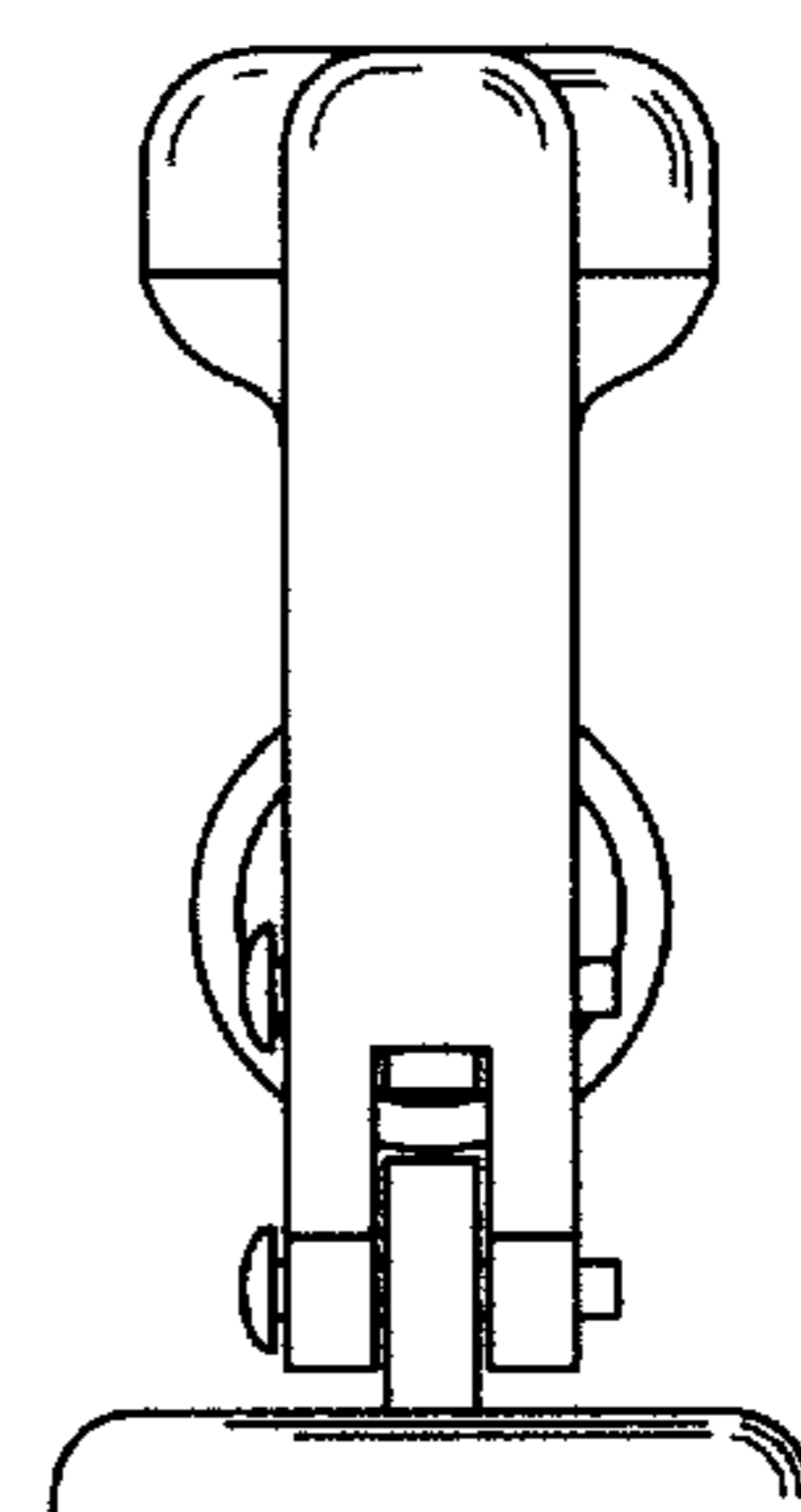


Fig 10