



US00D452635B1

(12) **United States Design Patent**  
**Kortleven et al.**

(10) **Patent No.:** **US D452,635 S**  
(45) **Date of Patent:** **\*\* Jan. 1, 2002**

(54) **COVERED BOWL WITH VERTICAL DEPRESSION**

(75) Inventors: **Hanno Kortleven**, Hofstade; **Victor J. J. Cautereels**, Ranst, both of (BE)

(73) Assignee: **Dart Industries Inc.**, Orlando, FL (US)

(\*\*) Term: **14 Years**

(21) Appl. No.: **29/145,886**

(22) Filed: **Jul. 31, 2001**

(51) **LOC (7) Cl.** ..... **07-01**

(52) **U.S. Cl.** ..... **D7/538; D7/547**

(58) **Field of Search** ..... D7/538, 541, 540, D7/542, 547, 543, 601, 602, 603, 608, 612; 220/755, 23.83, 369, 287, 575; 206/203

(56) **References Cited**

**U.S. PATENT DOCUMENTS**

D63,117 S	*	10/1923	Aymar	.....	D7/542
D179,369 S	*	12/1956	Barnhart	.....	D7/542
D179,797 S	*	3/1957	Dube	.....	D7/538
D179,888 S	*	3/1957	Dube	.....	D7/538
D184,760 S	*	3/1959	Ostrowsky	.....	D7/538
D207,594 S	*	5/1967	Aubecq	.....	D7/542

D328,010 S		7/1992	Daenen et al.	
D362,594 S	*	9/1995	McEntee	..... D7/538
D385,461 S		10/1997	Cousins	..... D7/538
D412,811 S	*	8/1999	Rotta	..... D7/540
D415,934 S		11/1999	Wallays	..... D7/590
D421,202 S		2/2000	Demers	..... D7/538
D447,006	*	8/2001	Thun	..... D7/542

\* cited by examiner

*Primary Examiner*—M. N. Pandozzi

(74) *Attorney, Agent, or Firm*—Taylor J. Ross

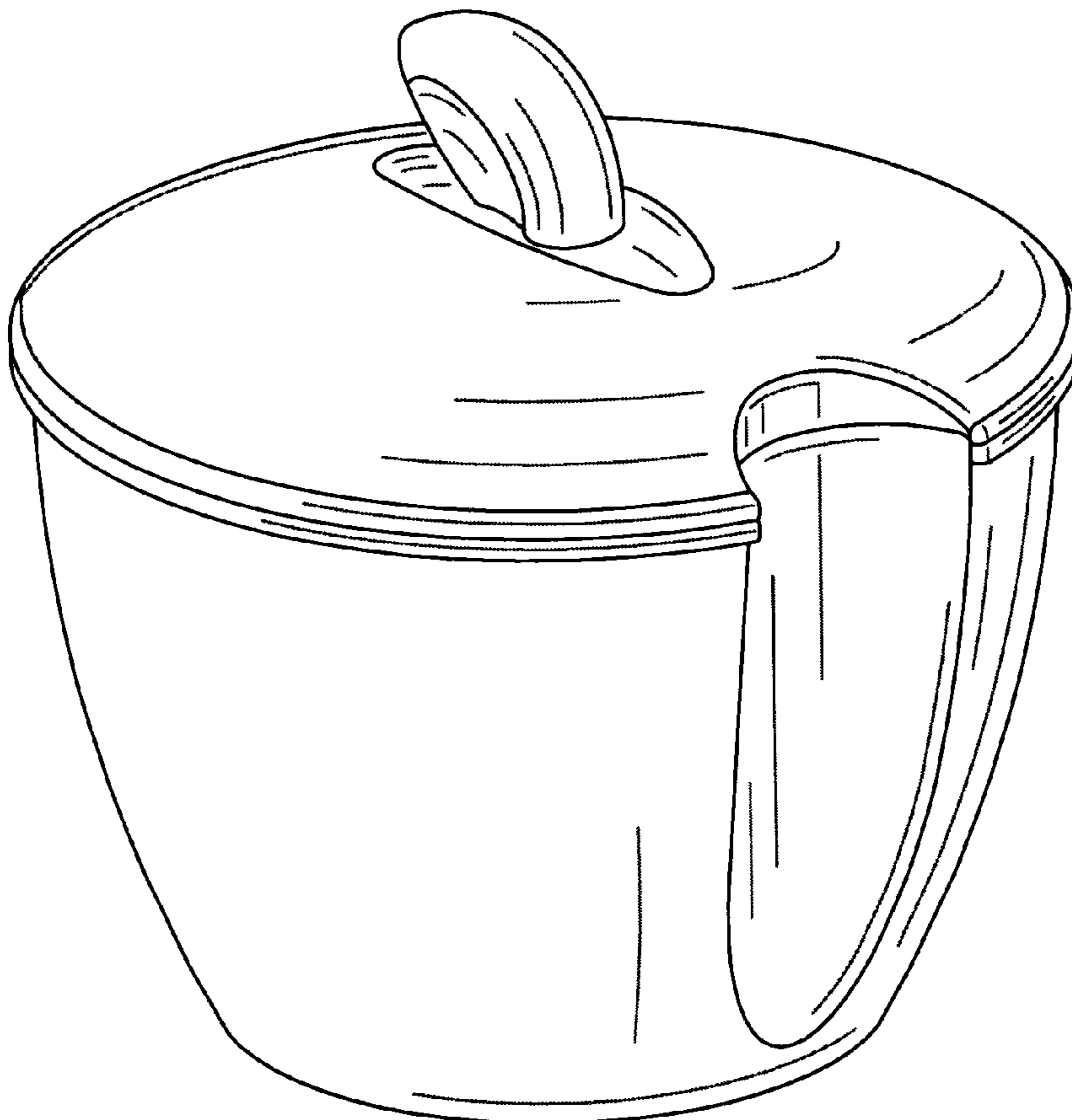
(57) **CLAIM**

The ornamental design for a covered bowl with vertical depression, as shown and described.

**DESCRIPTION**

FIG. 1 is a top, side and front perspective view of a covered bowl with vertical depression showing the new design; FIG. 2 is a left elevation view thereof; FIG. 3 is a right elevation view thereof; FIG. 4 is a front side elevation view thereof; FIG. 5 is a rear side elevation view thereof; FIG. 6 is a top plan view thereof; and, FIG. 7 is a bottom plan view thereof.

**1 Claim, 3 Drawing Sheets**



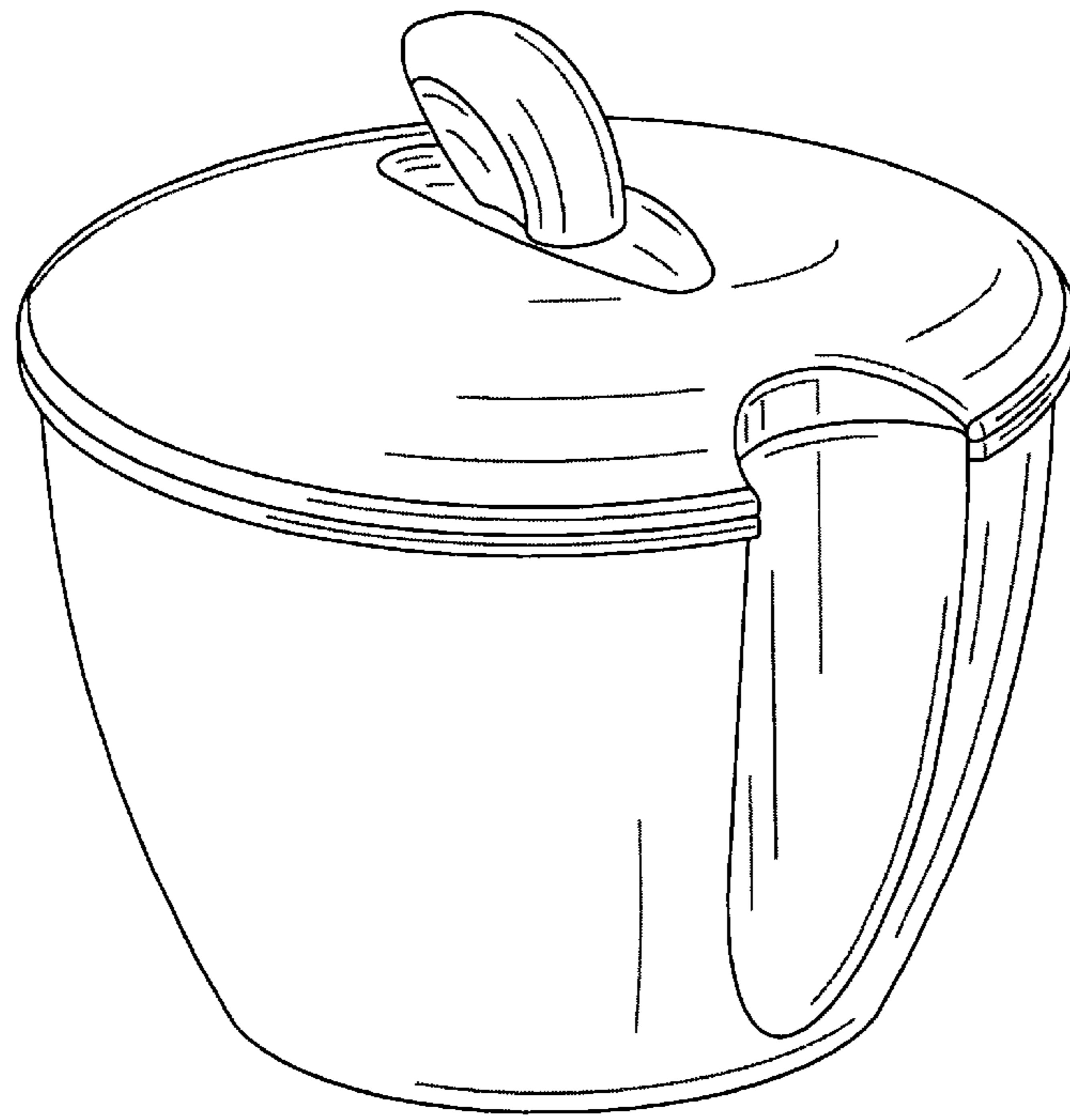


FIG. 1

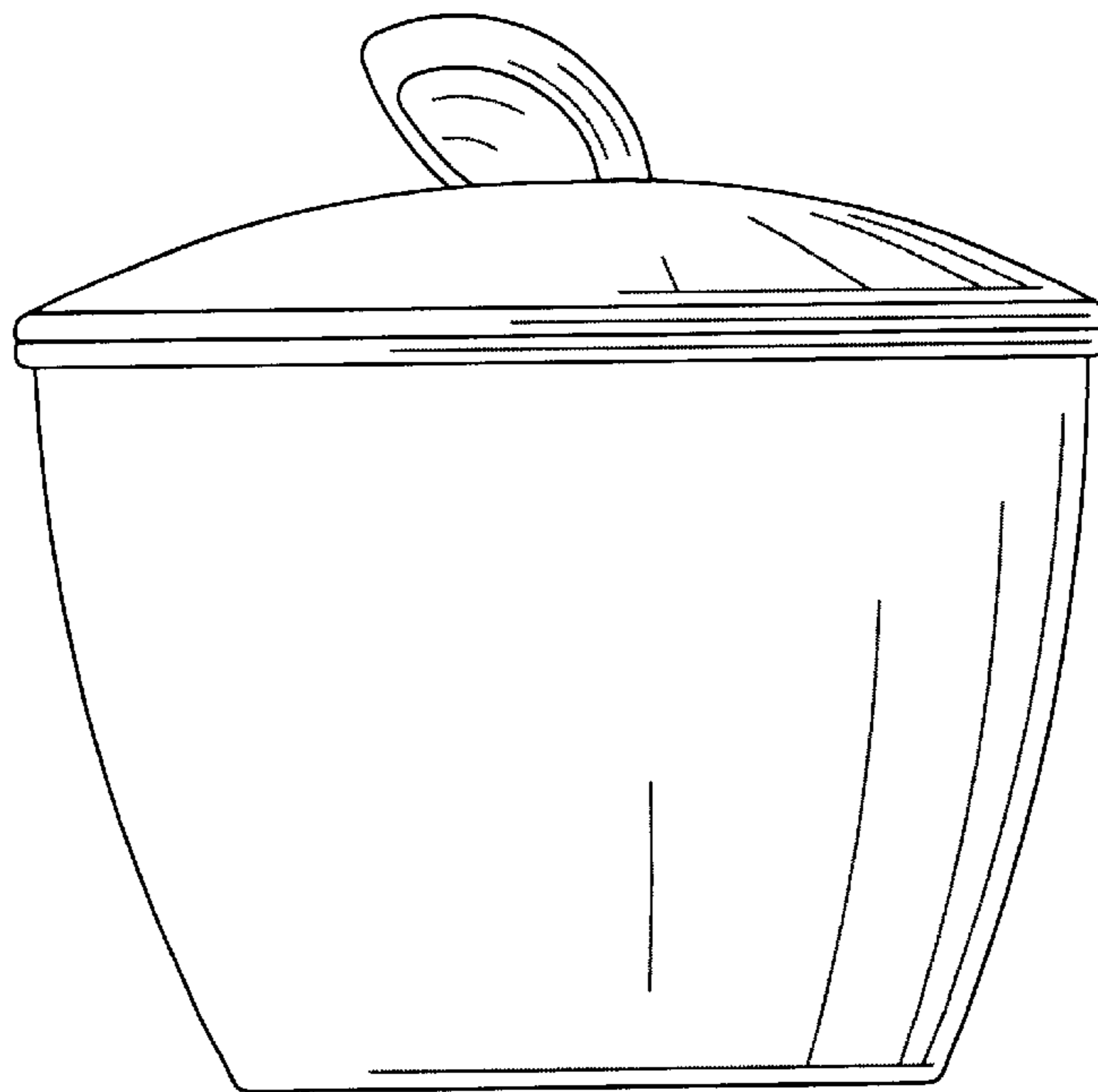


FIG. 2

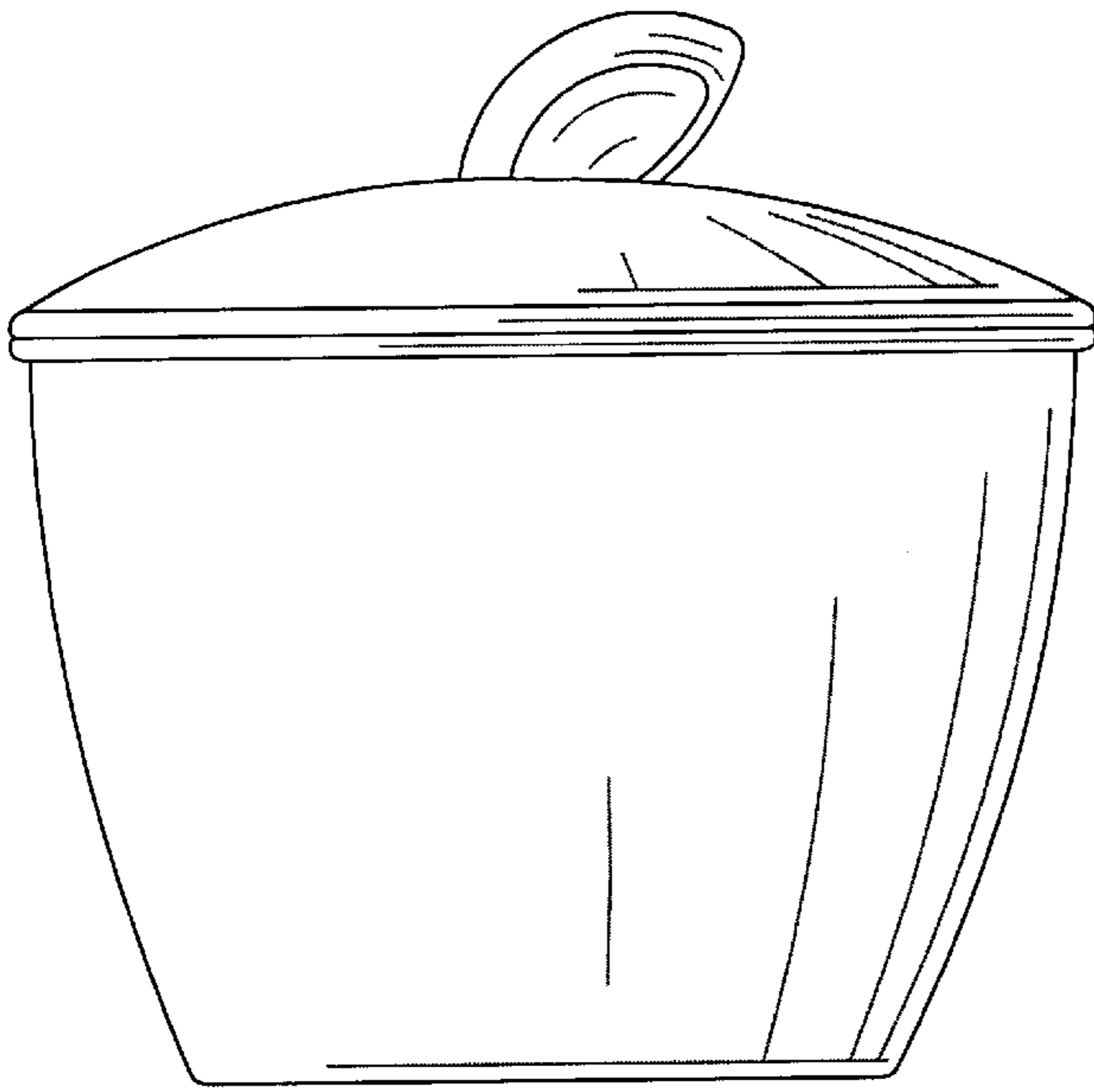


FIG. 3

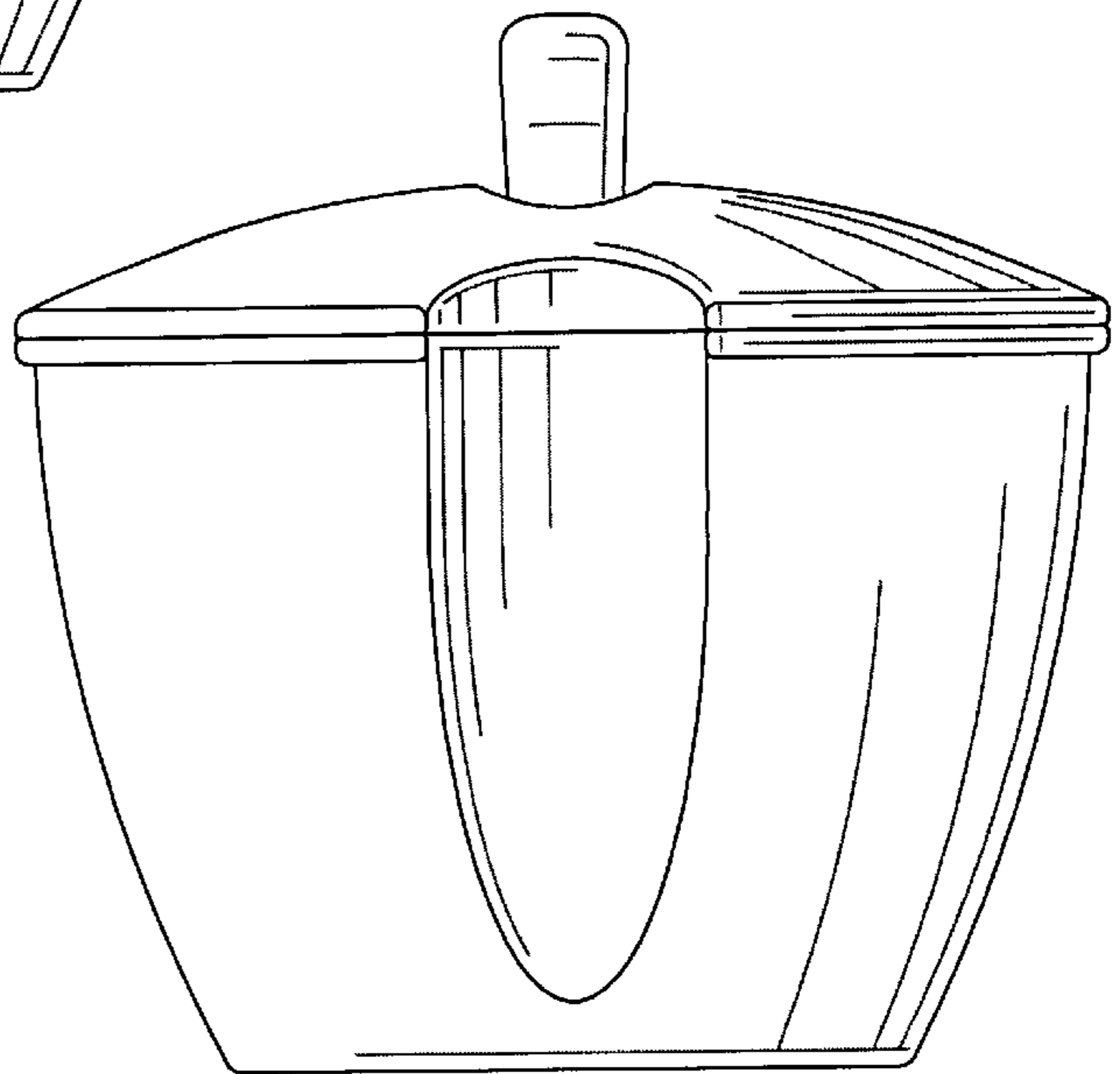


FIG. 4

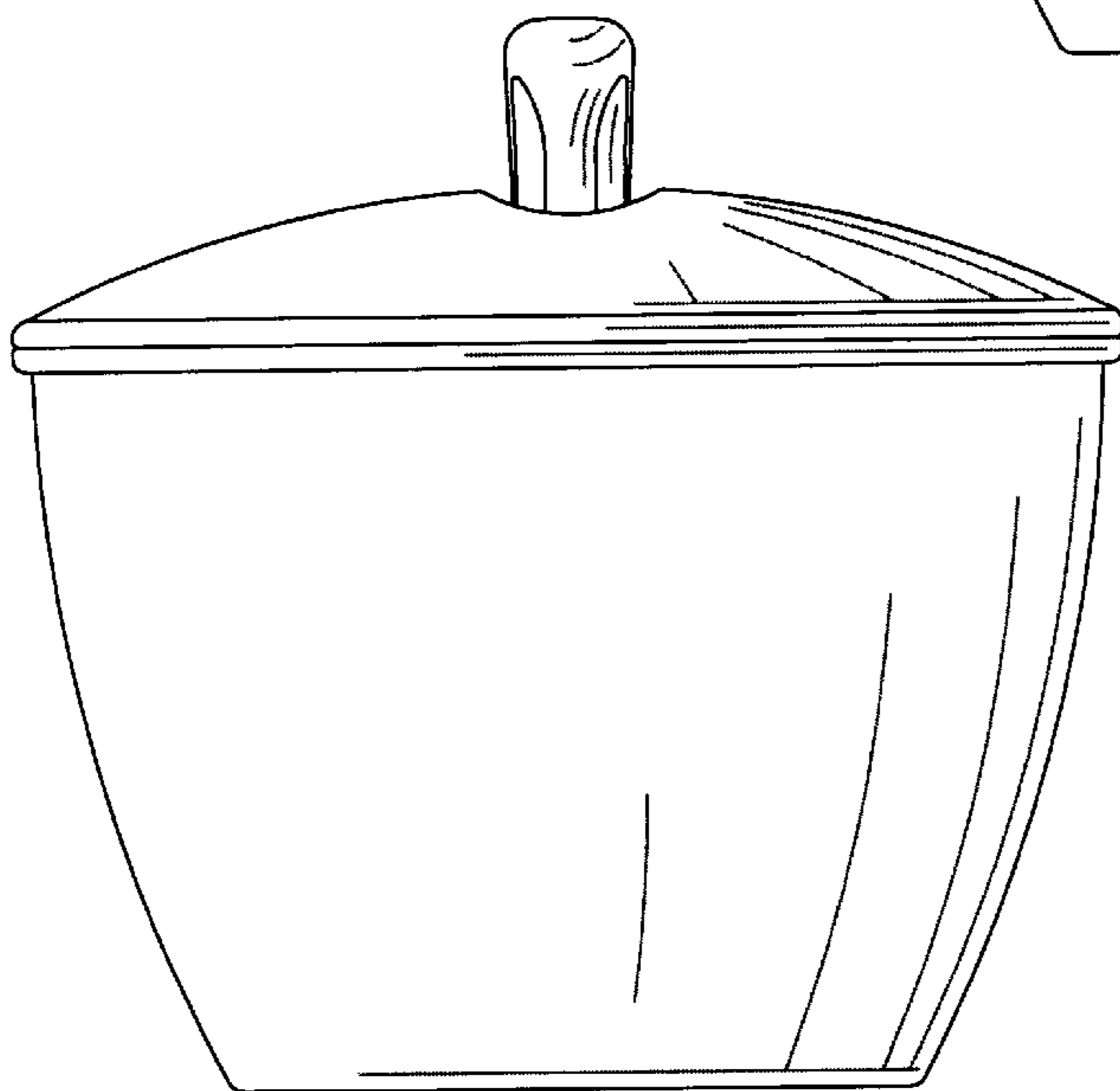


FIG. 5

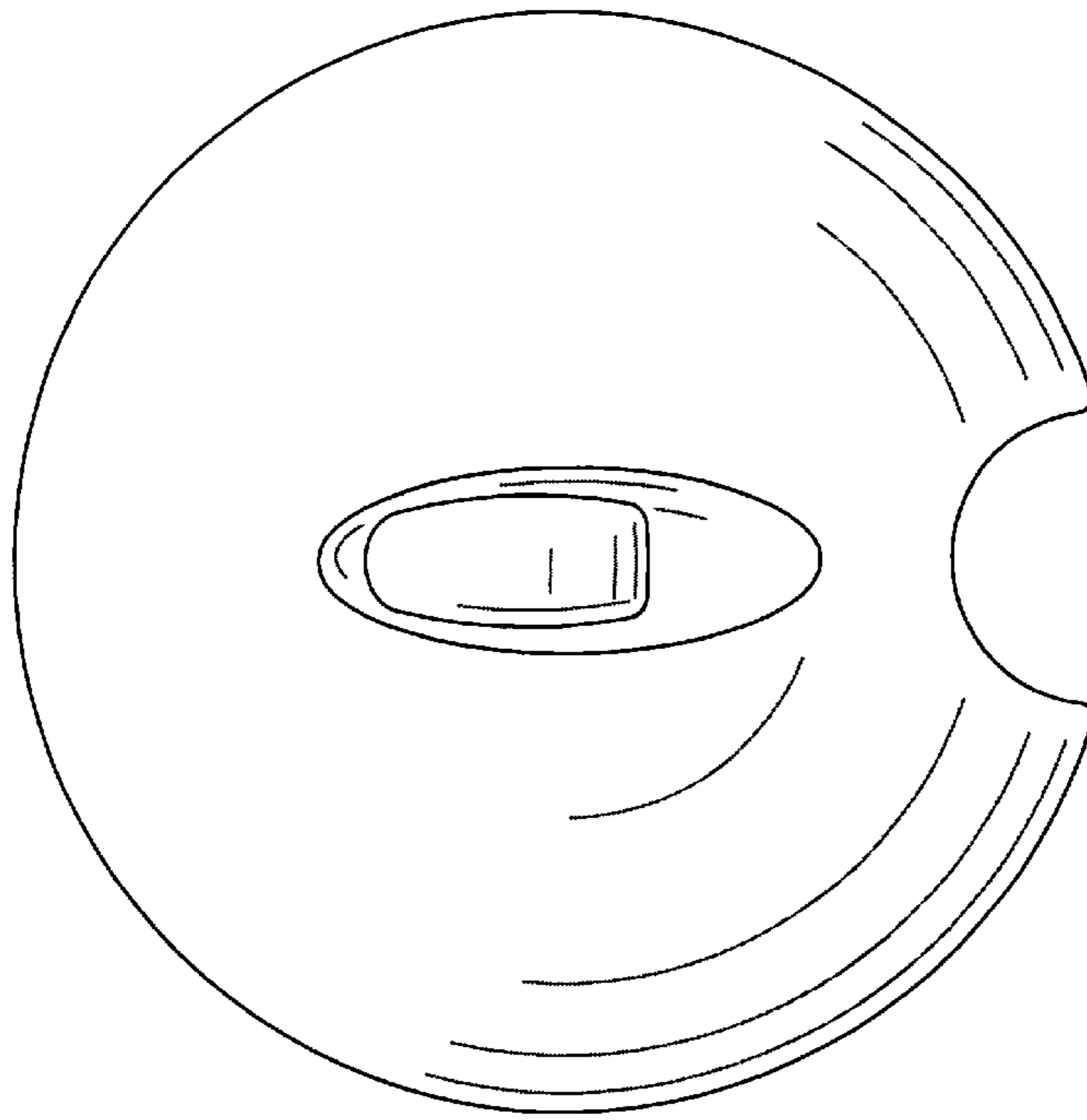


FIG. 6

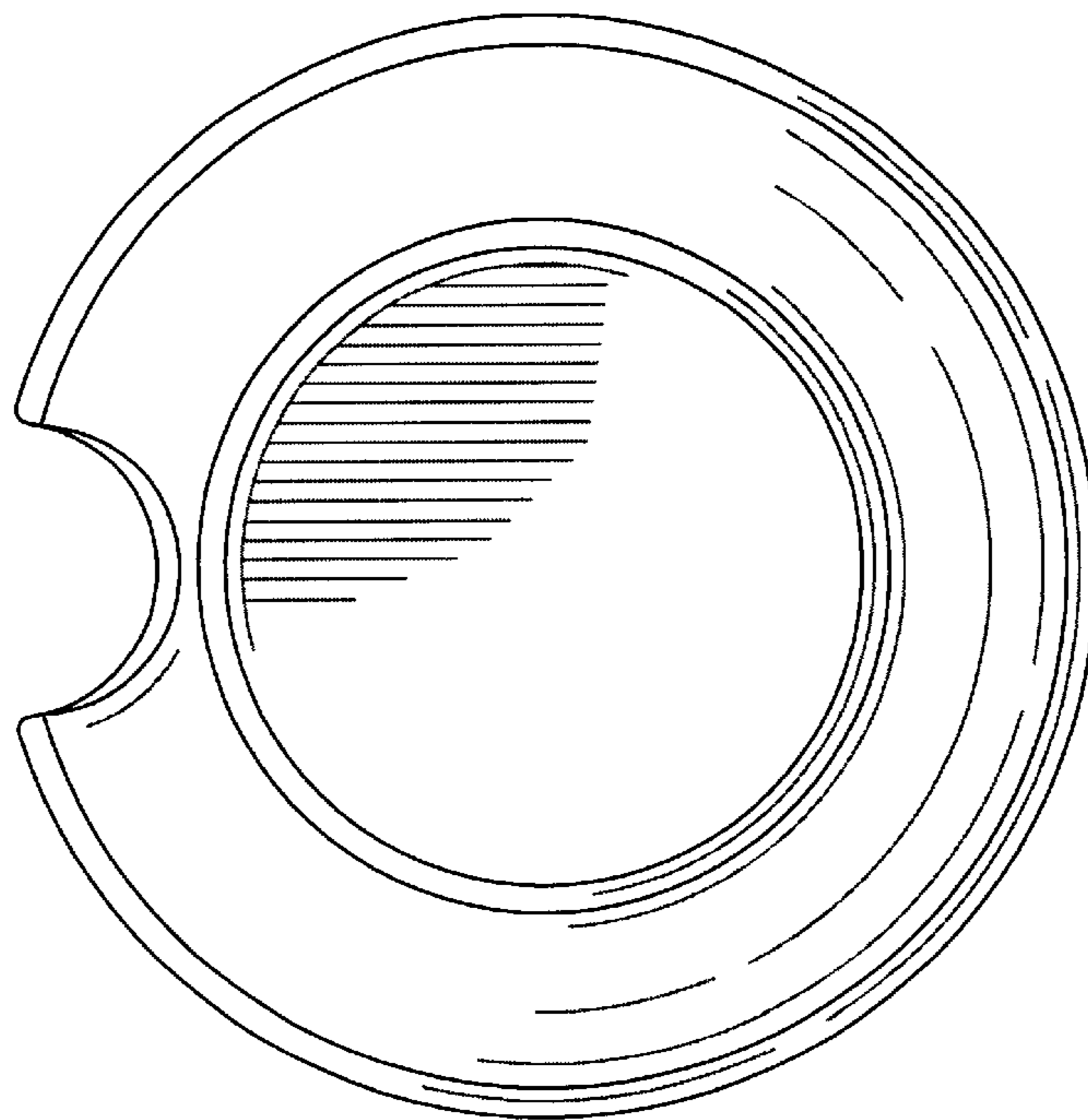


FIG. 7