



US00D452628B1

(12) **United States Design Patent**
Stauffer

(10) **Patent No.:** **US D452,628 S**

(45) **Date of Patent:** **** Jan. 1, 2002**

(54) **COMPACT DISK CONTAINER**
(75) **Inventor:** **Timothy B. Stauffer**, New York, NY
(US)
(73) **Assignee:** **Slingshot Communications, Inc.**,
Seattle, WA (US)
(**) **Term:** **14 Years**
(21) **Appl. No.:** **29/127,702**
(22) **Filed:** **Aug. 10, 2000**
(Under 37 CFR 1.47)

2,410,585	*	11/1946	Leitner	206/229
3,109,539		11/1963	Turoff	206/62
3,547,342	*	12/1970	Smith et al.	206/312
3,825,112		7/1974	Schumaker et al.	206/310
4,879,710	*	11/1989	Iijima	369/291
4,903,829		2/1990	Clemens	206/310
5,322,162		6/1994	Melk	206/310
5,462,158	*	10/1995	Kramer	206/307
5,634,559	*	6/1997	Foos et al.	206/518
5,713,463		2/1998	Lakoski et al.	206/308.1
5,829,583	*	11/1998	VerWeyst et al.	206/308.1
6,021,894	*	2/2000	Lakoski et al.	206/308.1
6,065,593	*	5/2000	Howerton et al.	206/310
6,227,362	*	5/2001	Cheung	206/308.1
6,227,363	*	5/2001	Lu	206/308.1

(51) **LOC (7) Cl.** **06-04**
(52) **U.S. Cl.** **D6/632; D6/407; D6/634**
(58) **Field of Search** **D3/201; D6/407,**
D6/408, 626-635; D14/475, 478, 479, 496;
206/232, 307.1, 308.1, 308.3, 309, 311,
312, 313, 387.13, 396, 397, 398, 408, 459.1;
369/37, 75.2, 291; 379/355

* cited by examiner
Primary Examiner—Celia Murphy
(74) *Attorney, Agent, or Firm*—Seed IP Law Group PLLC

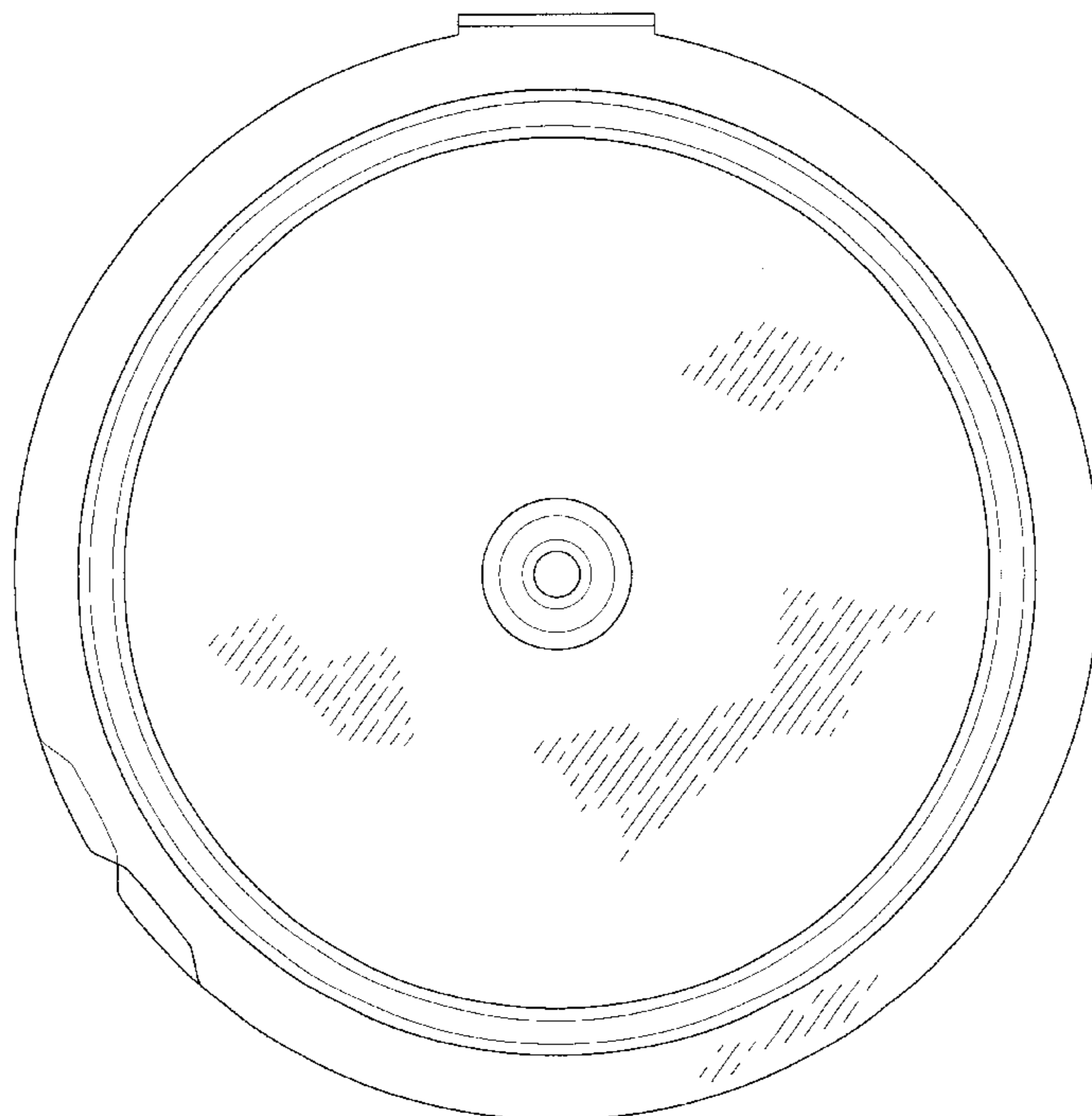
(57) **CLAIM**
The ornamental design for a compact disk container, as shown and described.

(56) **References Cited**
U.S. PATENT DOCUMENTS
D. 385,145 * 10/1997 VerWeyst et al. D6/632
D. 420,832 * 2/2000 Cole, Sr. D6/407
D. 433,265 * 11/2000 Khatemi D6/634
D. 434,592 * 12/2000 Sankey et al. D6/634
D. 435,752 * 1/2001 Myszka et al. D6/632
D. 438,418 * 3/2001 Myszka et al. D6/634
D. 439,786 * 4/2001 Myszka et al. D6/634
D. 443,169 * 6/2001 Sankey et al. D6/632
D. 444,984 * 7/2001 Myszka et al. D6/634
D. 445,288 * 7/2001 Myszka et al. D6/634
D. 445,289 * 7/2001 Myszka et al. D6/634

DESCRIPTION

FIG. 1 is a perspective view of a compact disk container in accordance with an embodiment of my new design.
FIG. 2 is a top plan view thereof.
FIG. 3 is a bottom plan view thereof.
FIG. 4 is a left elevation view thereof.
FIG. 5 is a right elevation view thereof.
FIG. 6 is a front elevation view thereof.
FIG. 7 is a rear elevation view thereof; and,
FIG. 8 is another perspective view of the compact disk container of FIG. 1, in an alternate configuration.

1 Claim, 6 Drawing Sheets



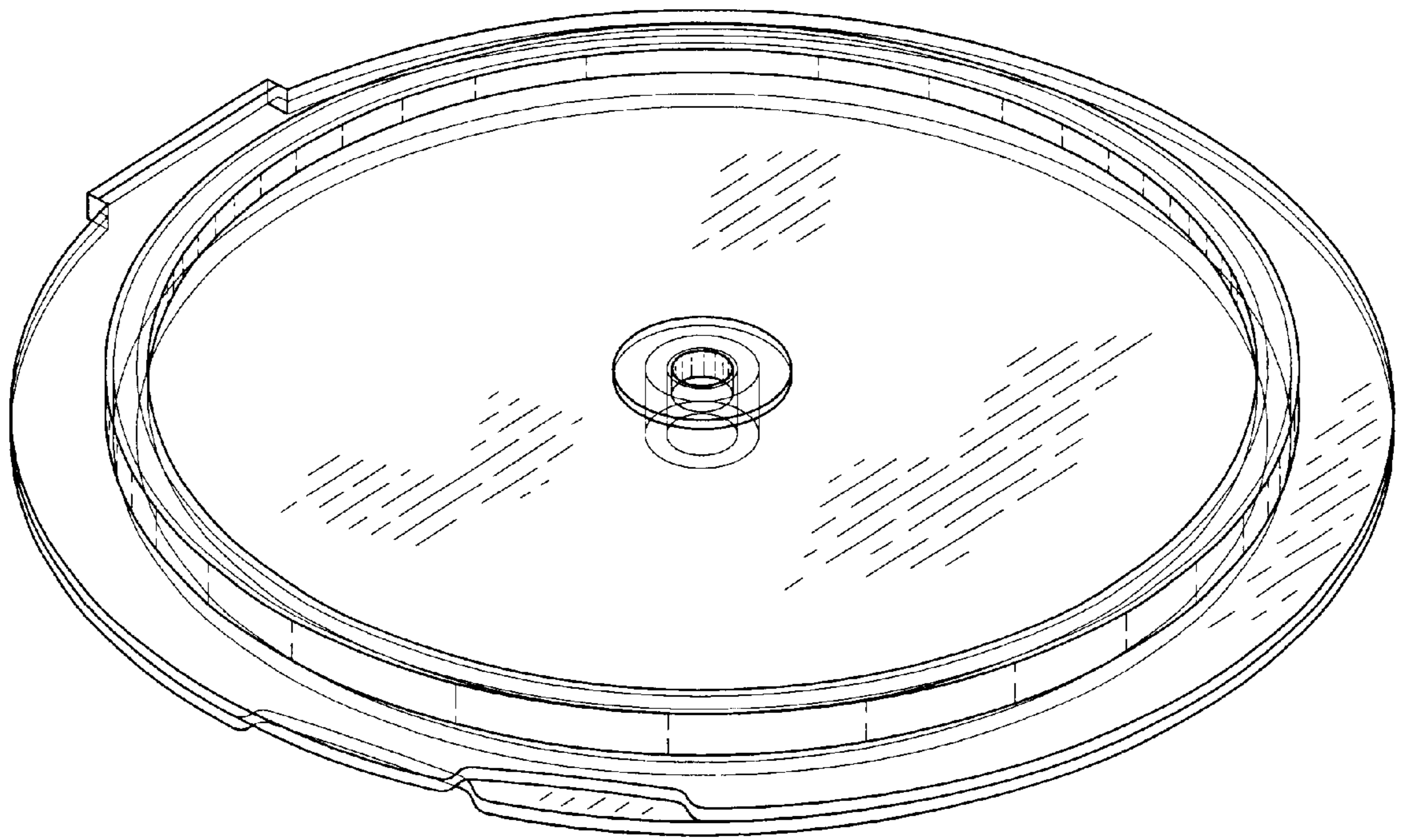


Fig. 1

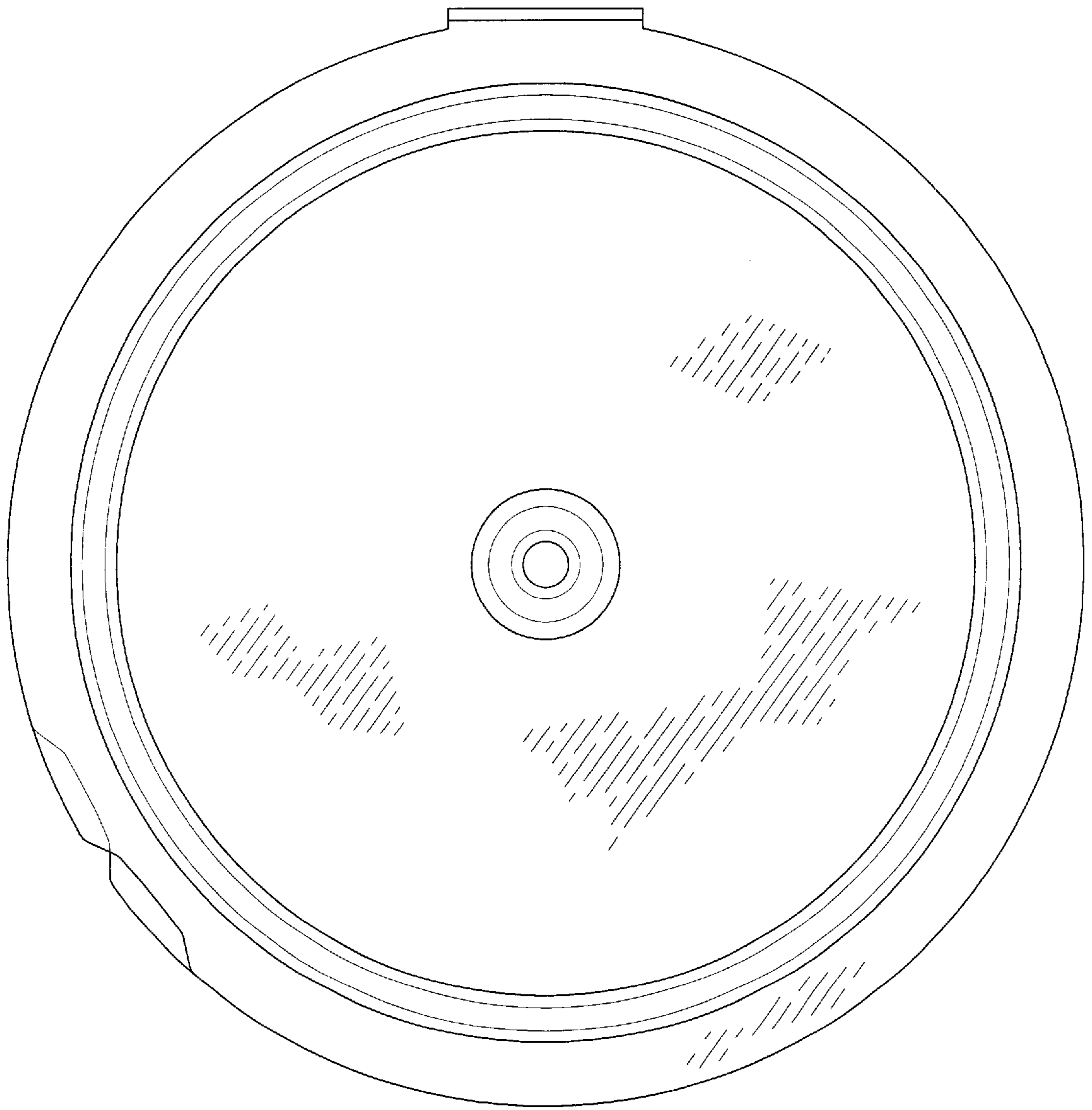


Fig. 2

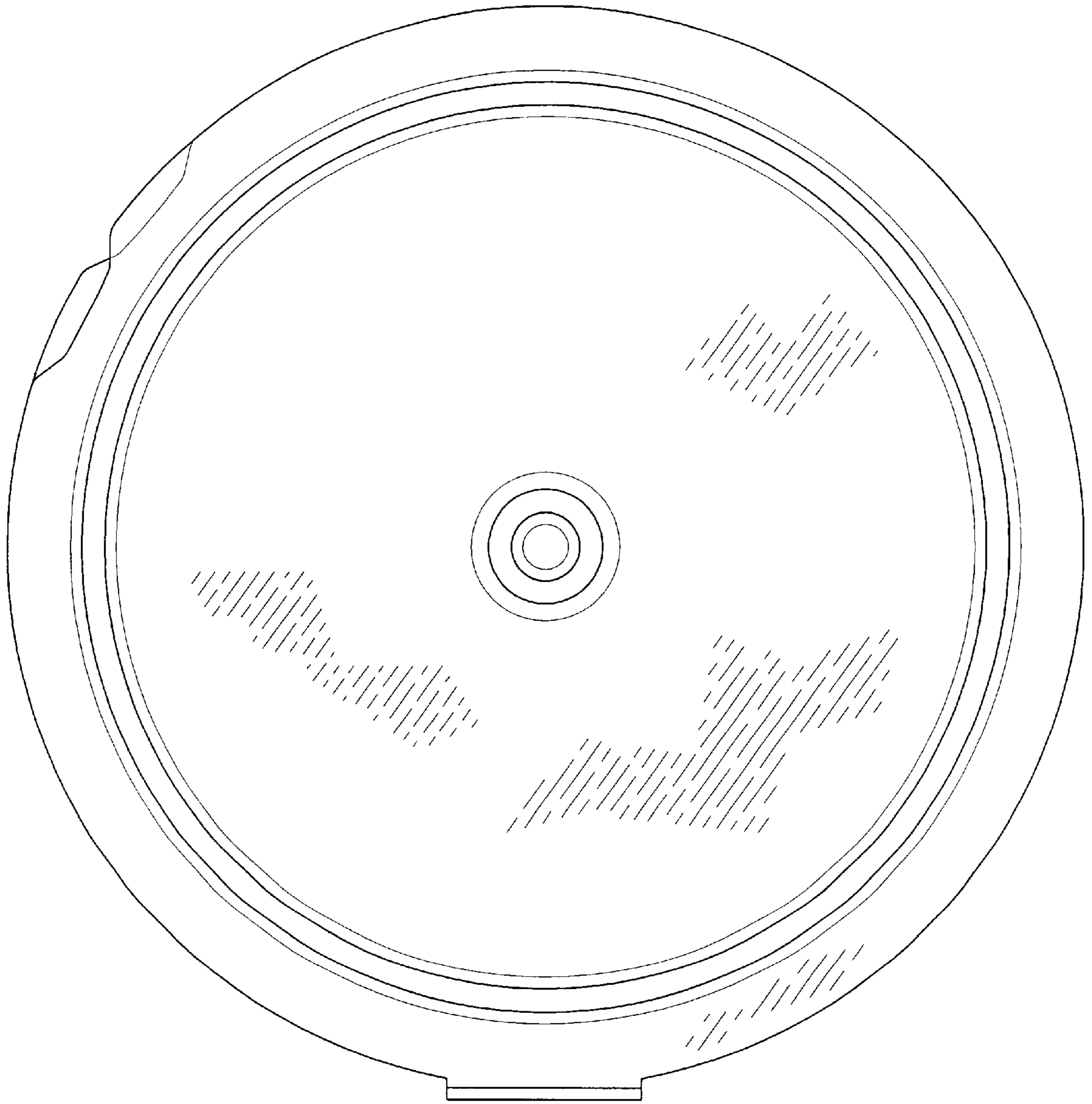


Fig. 3

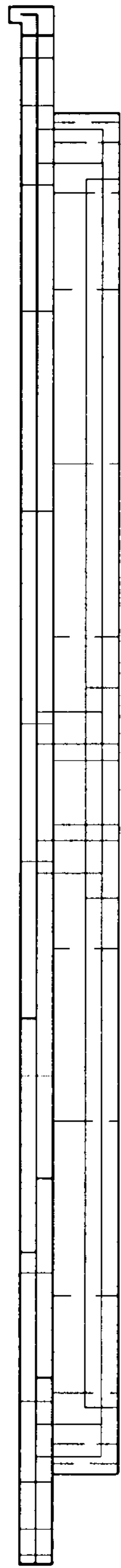


Fig. 4

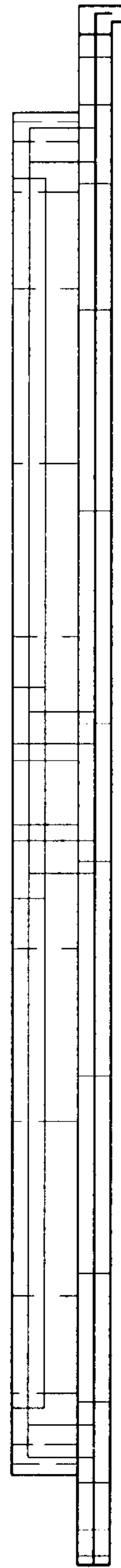


Fig. 5

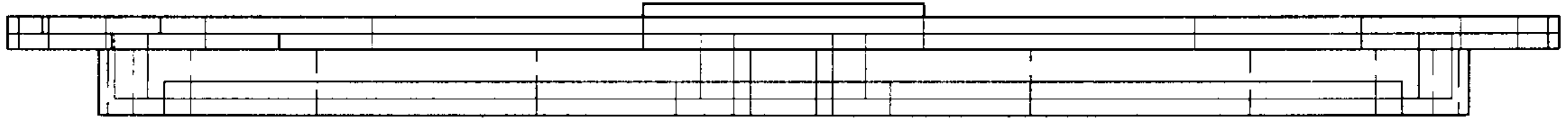


Fig. 6

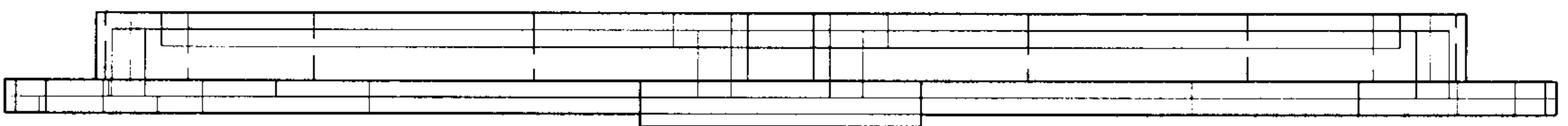


Fig. 7

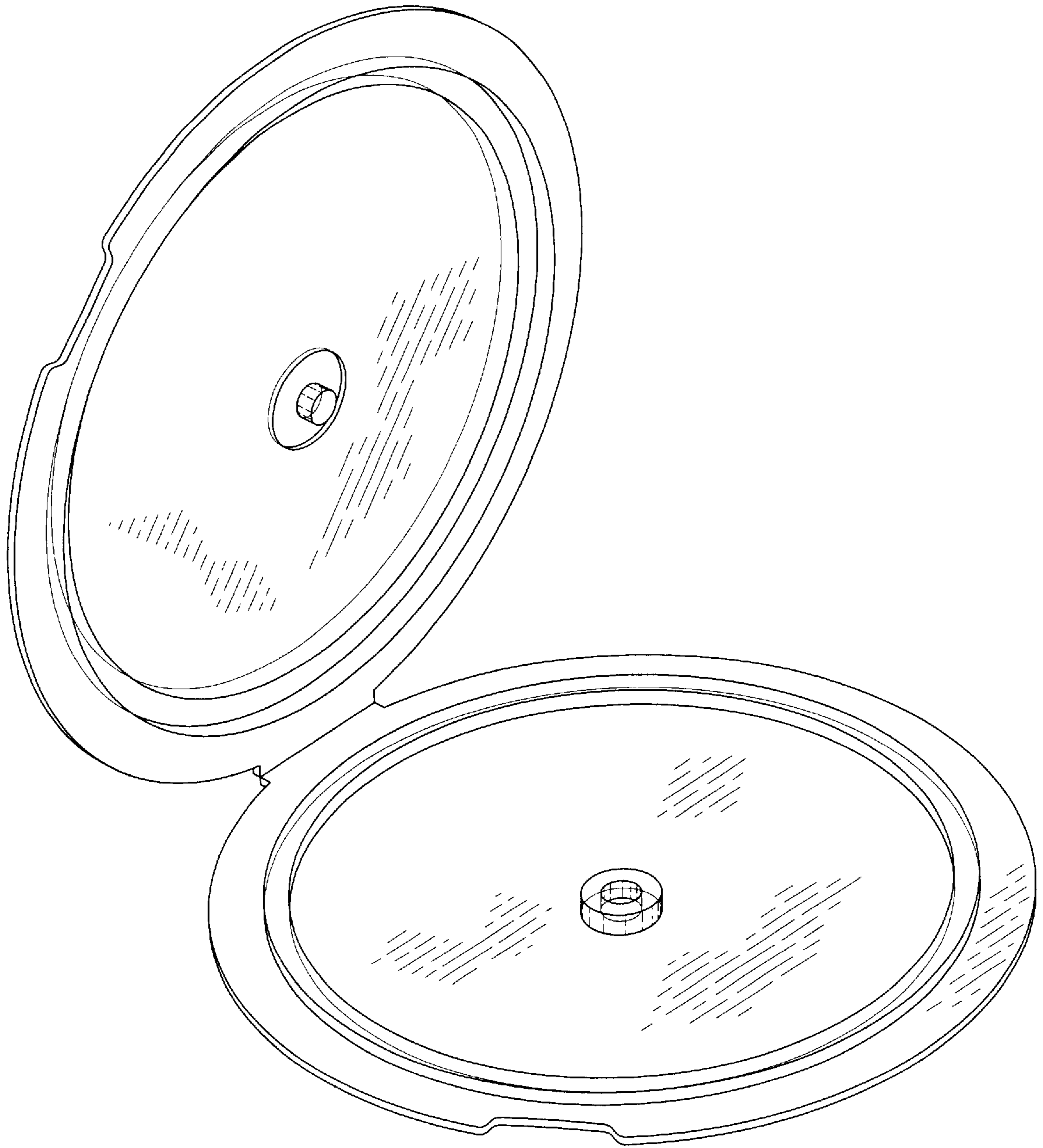


Fig. 8