



US00D452625B1

(12) **United States Design Patent**
Chang

(10) **Patent No.:** **US D452,625 S**

(45) **Date of Patent:** **** *Jan. 1, 2002**

(54) **SURFACE PATTERN FOR USE ON FURNITURE**

(76) **Inventor:** **Vang Pao Chang**, 4853 E. Home, Fresno, CA (US) 93727

(*) **Notice:** This patent is subject to a terminal disclaimer.

(**) **Term:** **14 Years**

(21) **Appl. No.:** **29/113,945**

(22) **Filed:** **Nov. 12, 1999**

(51) **LOC (7) Cl.** **06-06**

(52) **U.S. Cl.** **D6/491; D6/349; D6/502**

(58) **Field of Search** D6/349, 351-353, D6/355, 368, 369, 500-502; 297/461, 462, 423.1, 423.39, 423.41, 452.63, 452.64; D5/56, 58, 59

(56) **References Cited**

U.S. PATENT DOCUMENTS

D79,587 S * 10/1929 Forst D6/368
D84,341 S * 6/1931 Herrold D5/59

3,094,357 A * 6/1963 Shwayder D6/368
3,248,185 A * 4/1966 Barney D5/58
D392,833 S * 3/1998 Haban D6/603
D393,373 S * 4/1998 Acosta D6/349

* cited by examiner

Primary Examiner—Janice E. Seeger
(74) *Attorney, Agent, or Firm*—Richard A. Ryan

(57) **CLAIM**

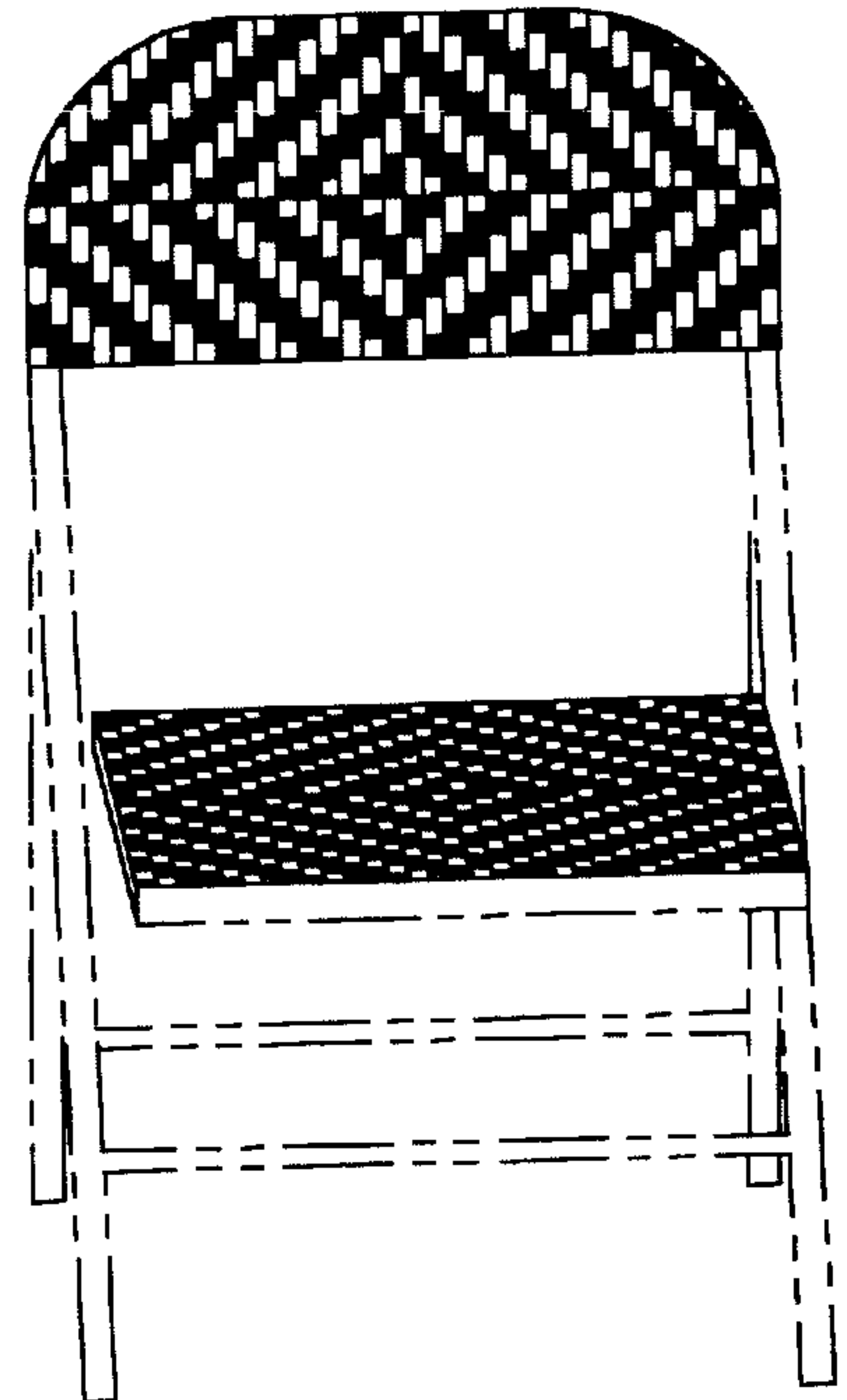
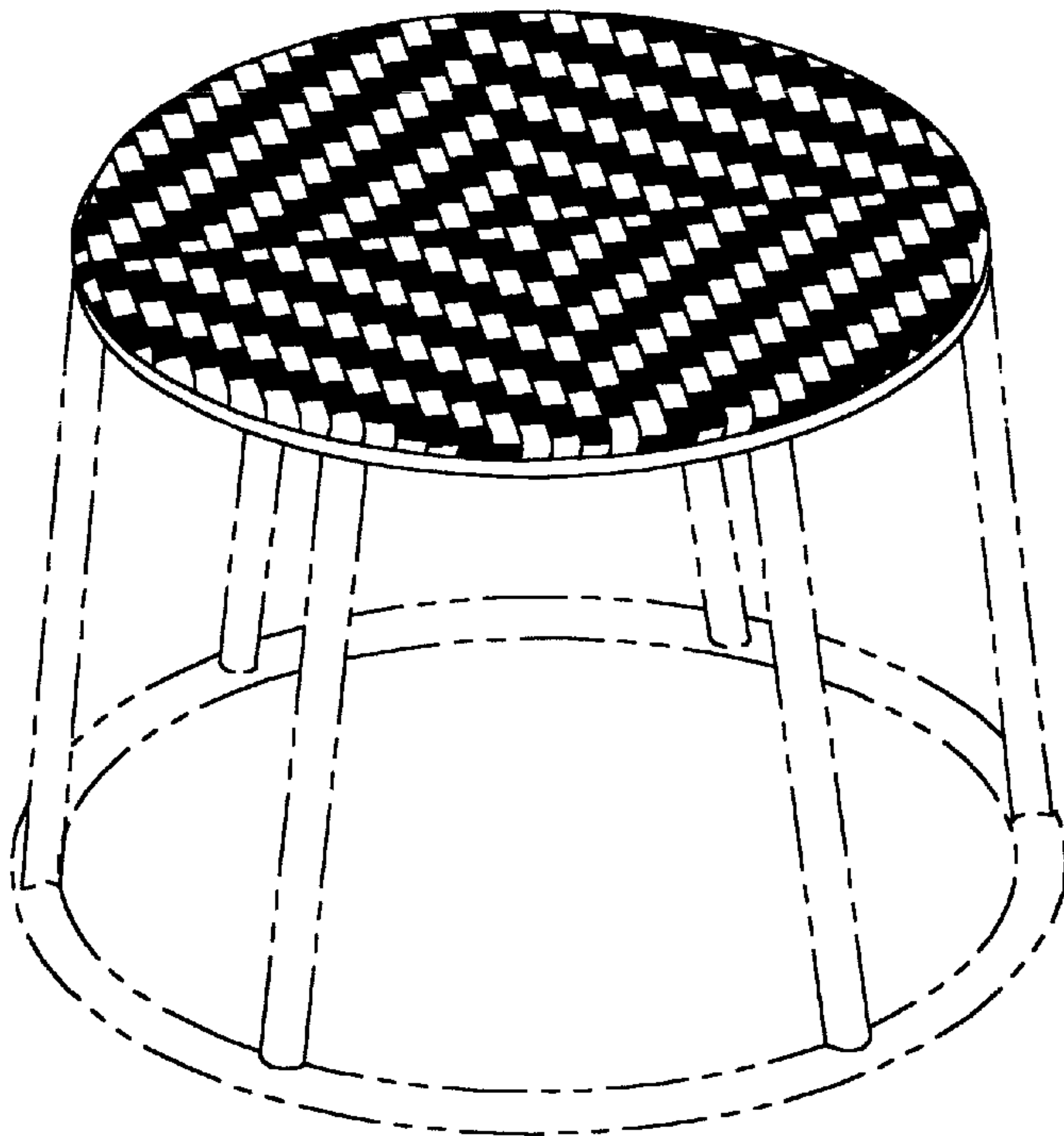
The ornamental design for a surface pattern for use on furniture, as shown and described.

DESCRIPTION

FIG. 1 is a top plan view of a surface pattern for use on furniture, showing my new design embodied in a stool; FIG. 2 is a perspective view thereof; FIG. 3 is a perspective view of a surface pattern for use on furniture, shown embodied in a chair; and, FIG. 4 is a top plan view of the seat portion of the chair shown in FIG. 3.

The broken lines are for environmental purposes only and form no part of the claimed design.

1 Claim, 3 Drawing Sheets



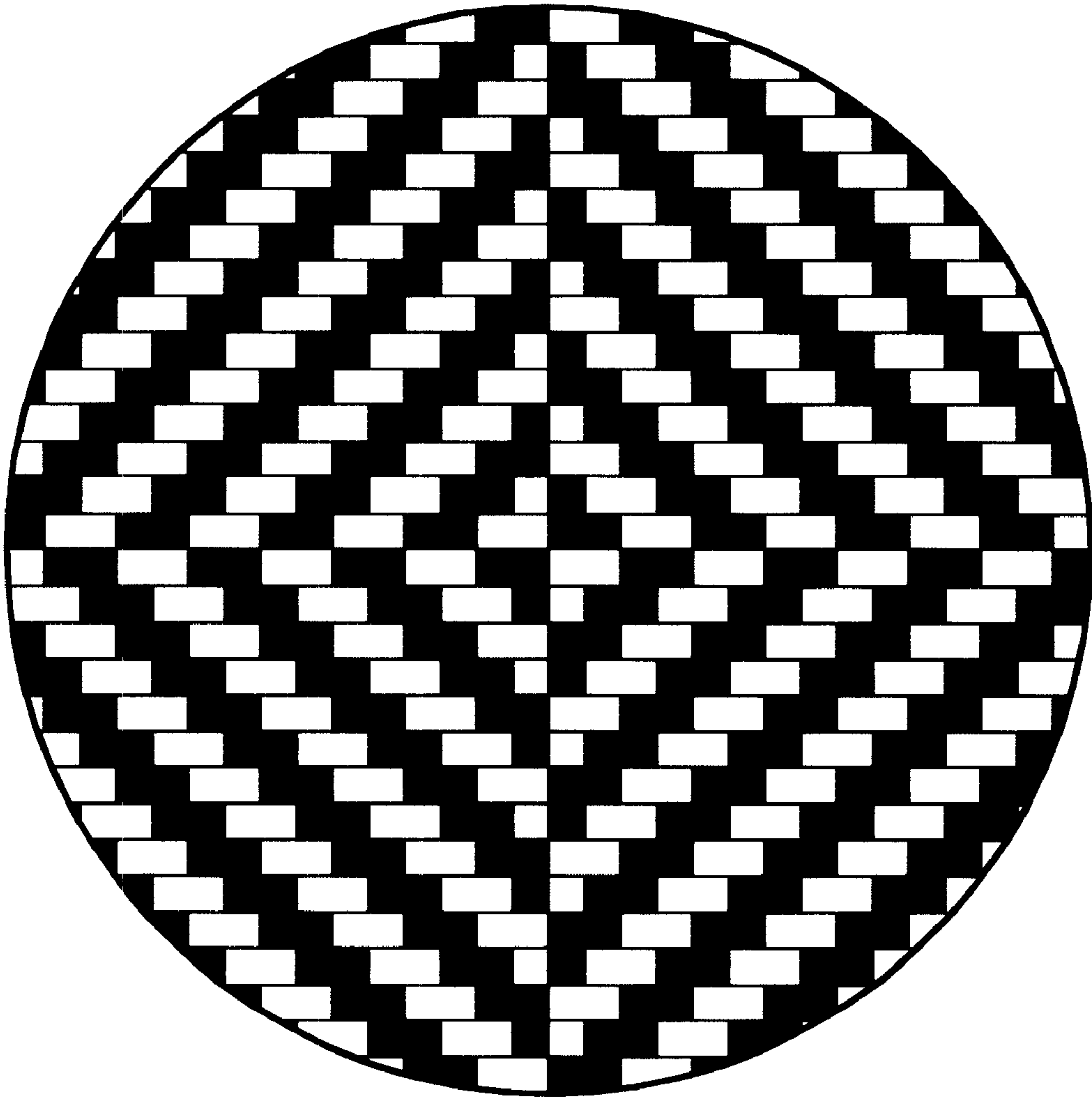


FIG. 1

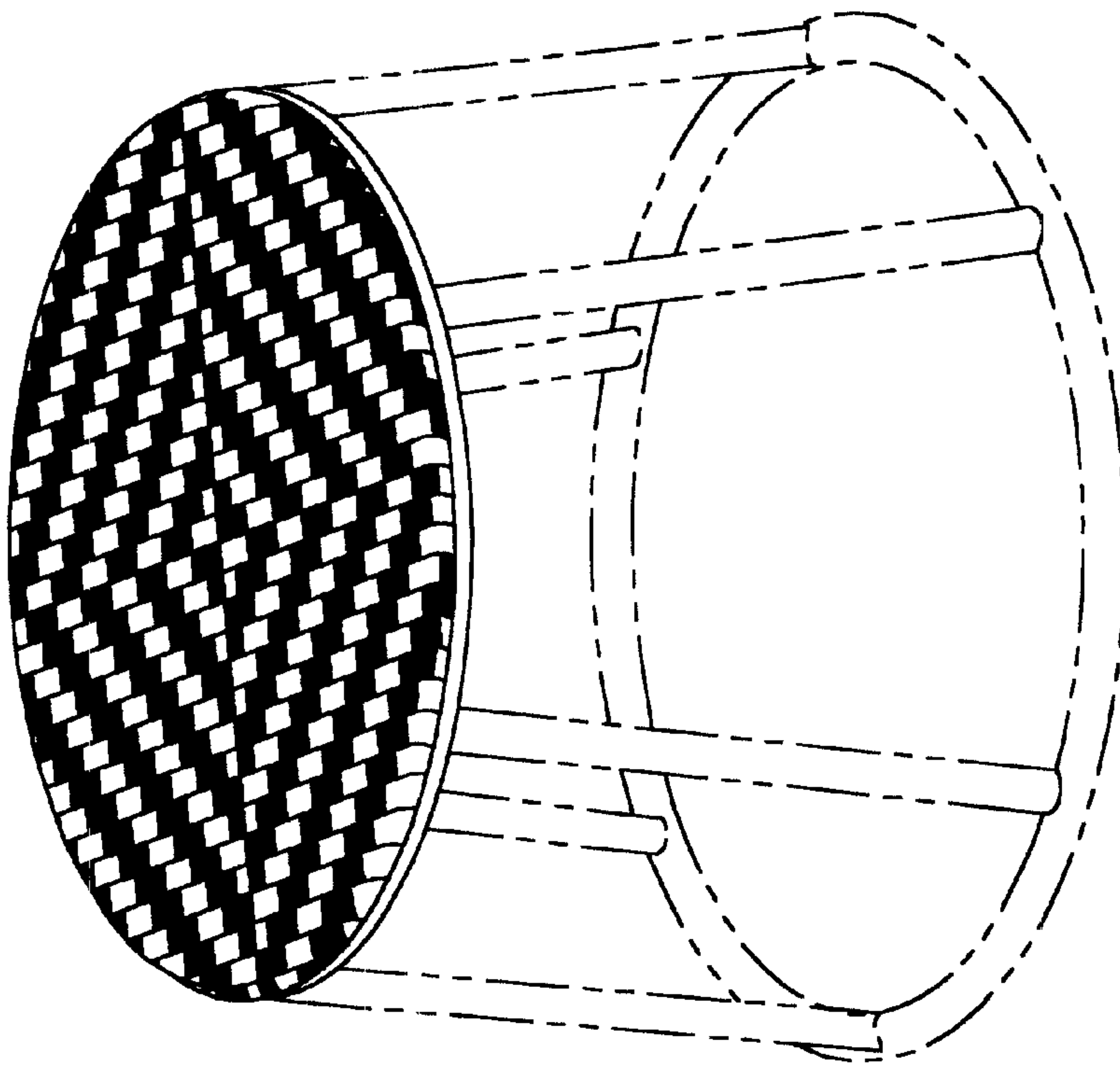


FIG. 2

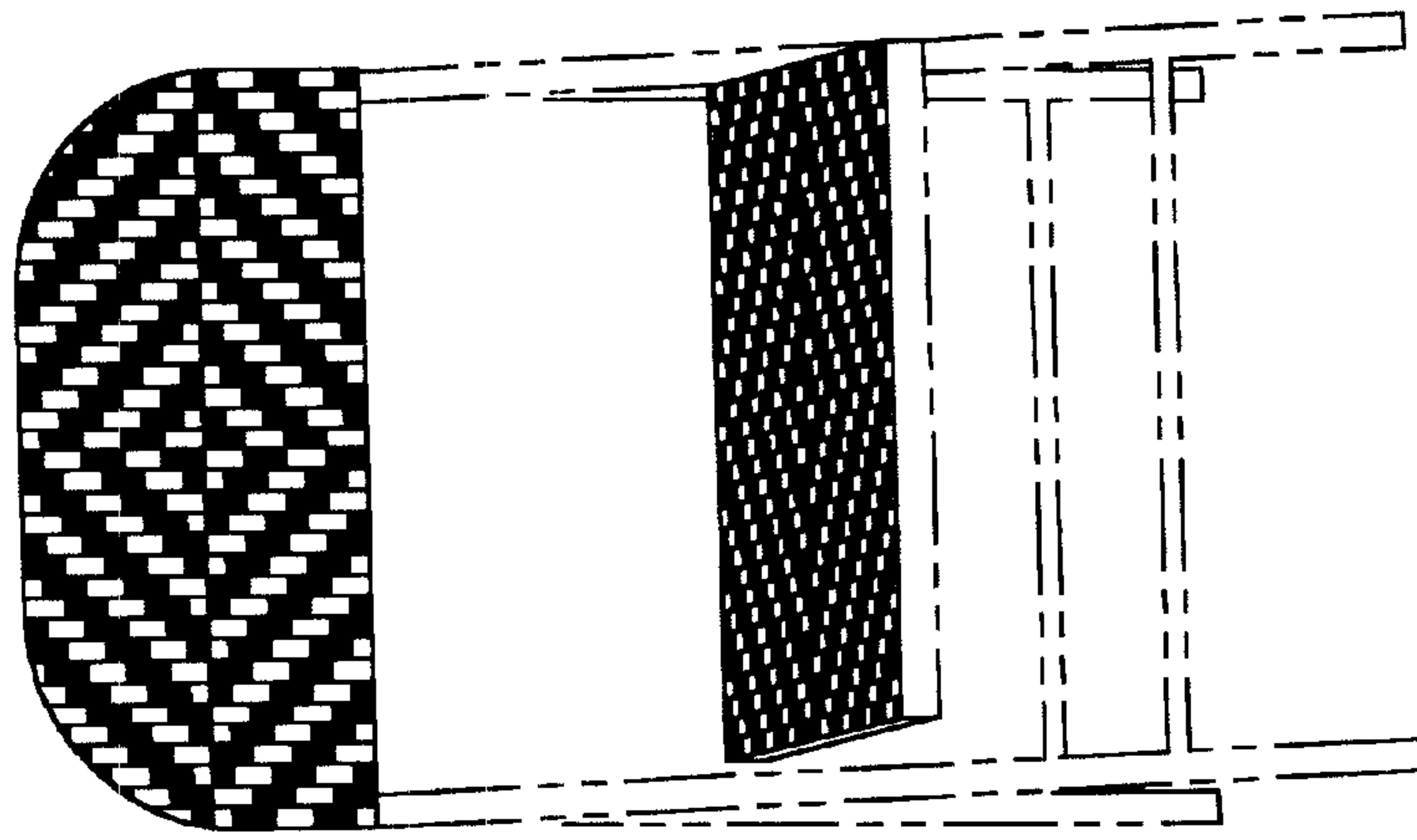


FIG. 3

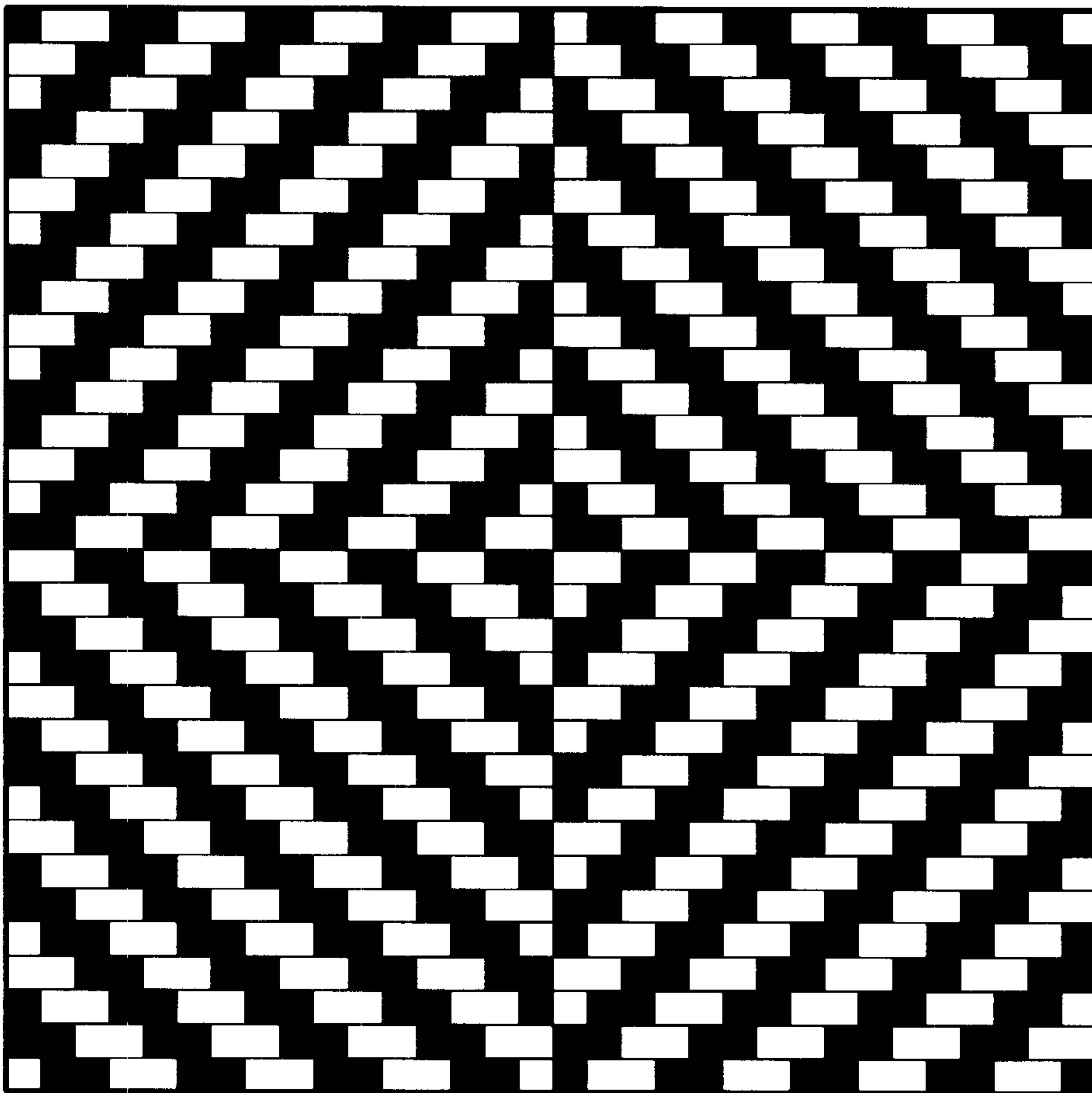


FIG. 4