



US00D452623B1

(12) **United States Design Patent**
Udommahuntisuk

(10) **Patent No.:** **US D452,623 S**
(45) **Date of Patent:** **** Jan. 1, 2002**

(54) **MULTIMEDIA STORAGE RACK**
(75) **Inventor:** **Kunthong Udommahuntisuk, Bangkok (TH)**
(73) **Assignee:** **Twoway Intertrade Co, Ltd., Bangkok (TH)**
(**) **Term:** **14 Years**

D252,720 S * 8/1979 Taylor D6/450
D256,941 S * 9/1980 Manus D21/833
D337,453 S * 7/1993 Mattikow D6/407
D338,573 S * 8/1993 Mattikow D6/407
D370,948 S * 6/1996 Bowman D21/552
D389,658 S * 1/1998 Holt D6/632
D397,560 S * 9/1998 Socha et al. D6/450
D397,743 S * 9/1998 Chesler D21/548
D410,258 S * 5/1999 Lerch D21/433

(21) **Appl. No.:** **29/137,101**
(22) **Filed:** **Feb. 14, 2001**
(30) **Foreign Application Priority Data**
Nov. 30, 2000 (TH) 062220
(51) **LOC (7) Cl.** **06-04**
(52) **U.S. Cl.** **D6/450; D19/90**
(58) **Field of Search** D6/407, 629, 630,
D6/467, 468, 450, 453, 474, 462, 465;
211/40, 41.1, 41.12; D19/82, 90, 97; D21/541,
548, 551, 552, 562, 827, 833

* cited by examiner

Primary Examiner—Cathron C. Brooks

(57) **CLAIM**

The ornamental design for a multimedia storage rack, as shown and described.

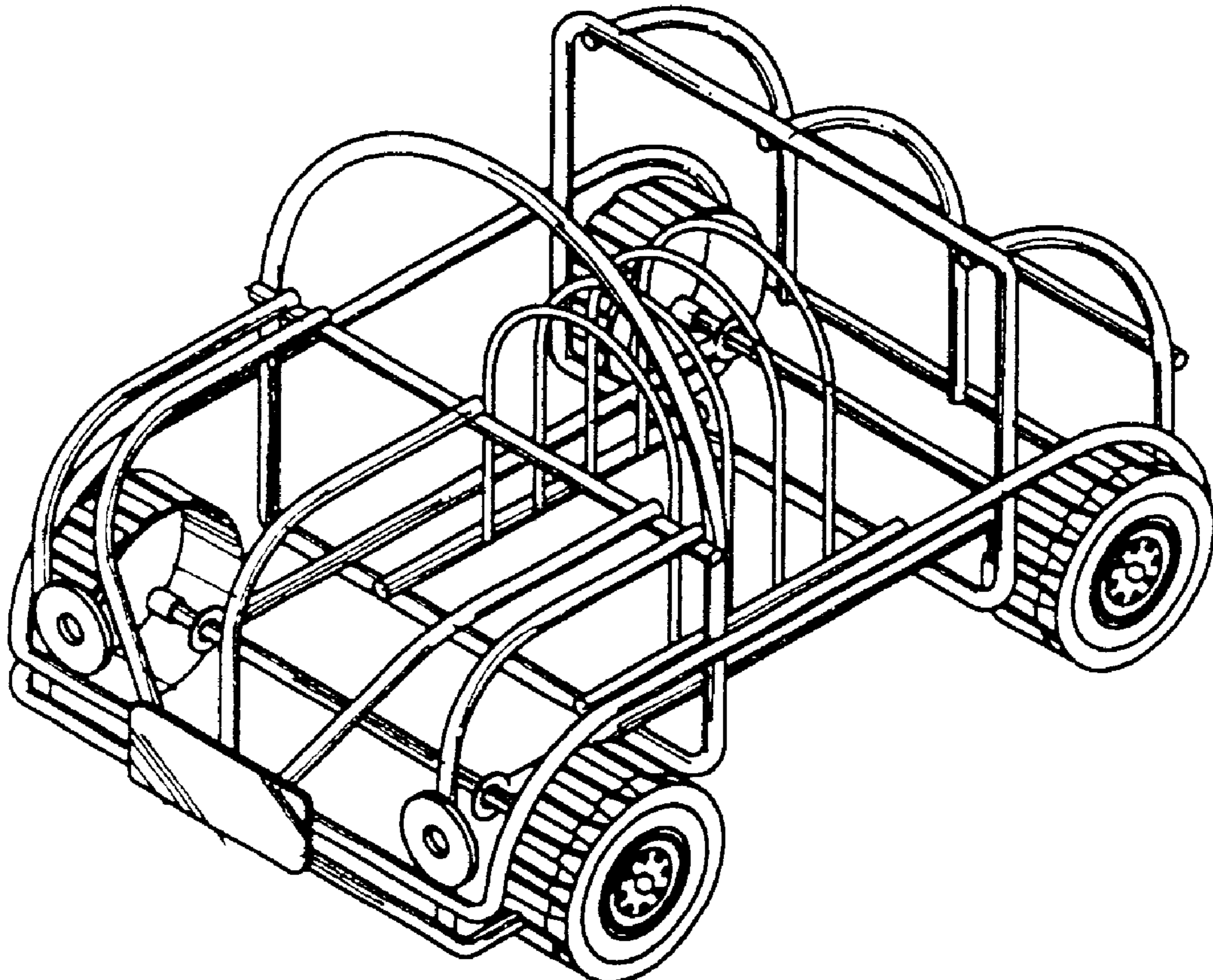
DESCRIPTION

FIG. 1 is a front, right perspective view of the multimedia storage rack showing my new design;
FIG. 2 is a front elevational view thereof;
FIG. 3 is a right side view thereof, the left side view being a mirror image thereof;
FIG. 4 is a rear elevational view thereof;
FIG. 5 is a bottom plan view thereof; and,
FIG. 6 is a top plan view thereof.

(56) **References Cited**
U.S. PATENT DOCUMENTS

D225,072 S * 11/1972 Henning et al. D21/541
D236,276 S * 8/1975 Rudy D21/827

1 Claim, 6 Drawing Sheets



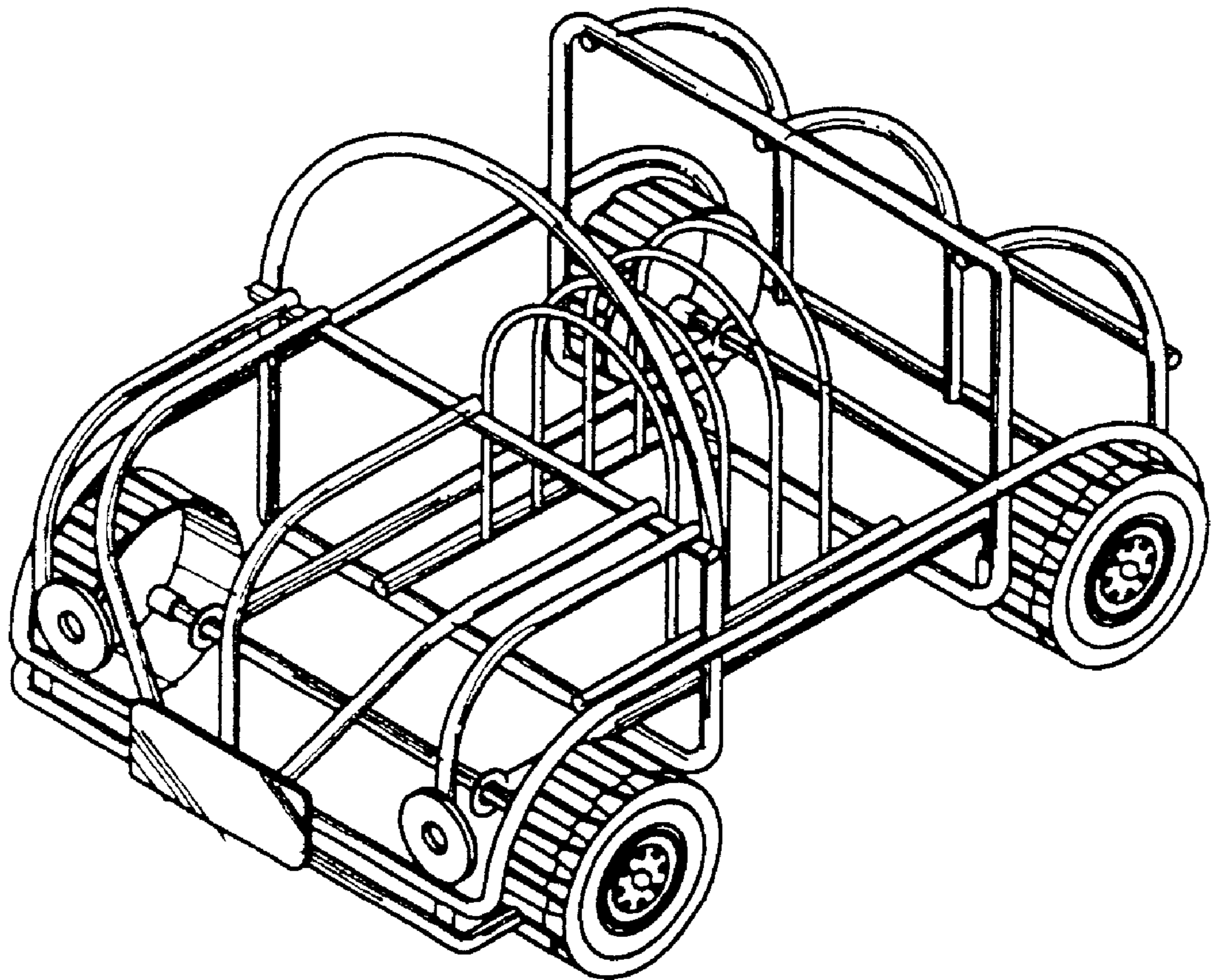


FIG. 1

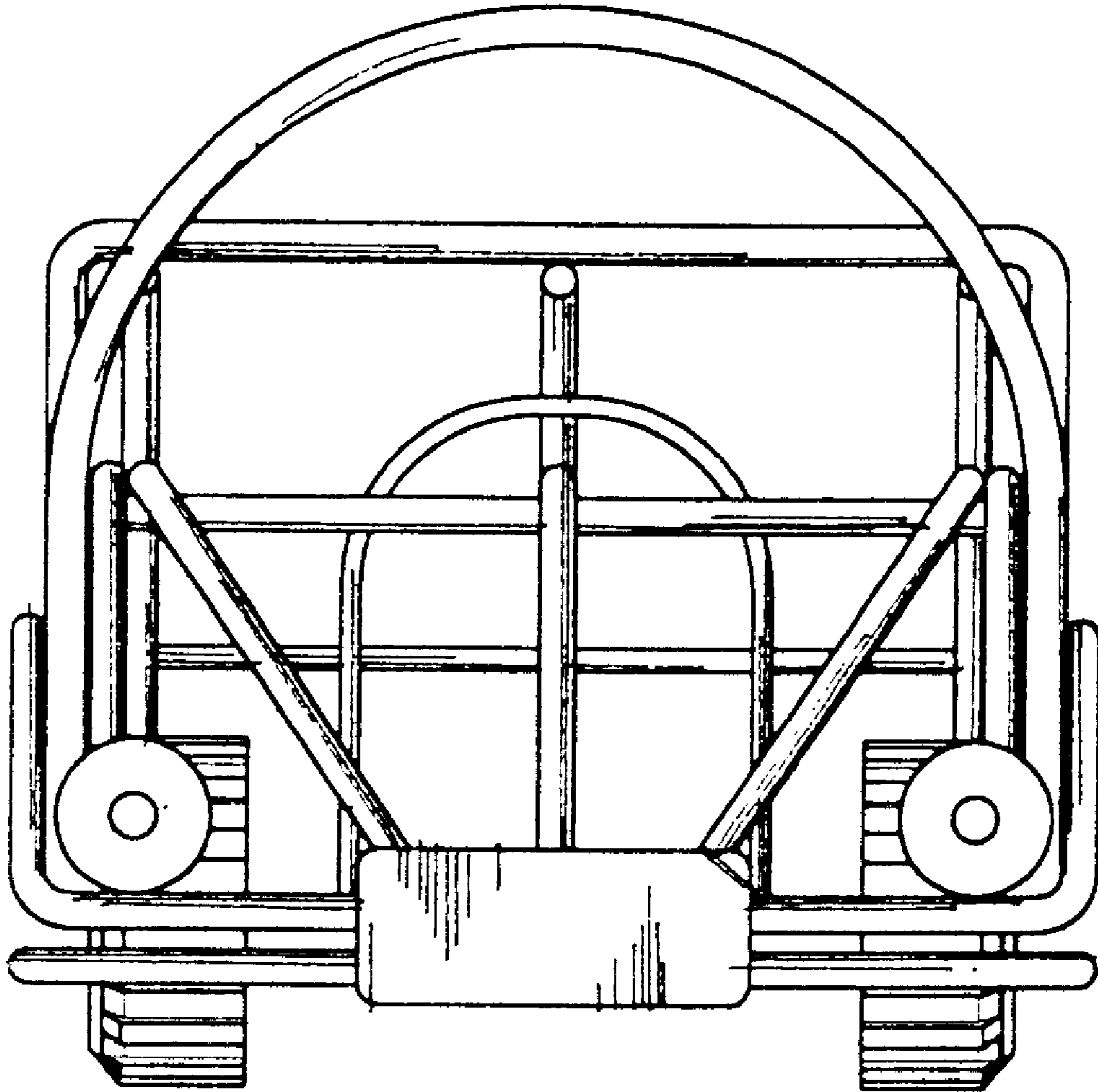


FIG. 2

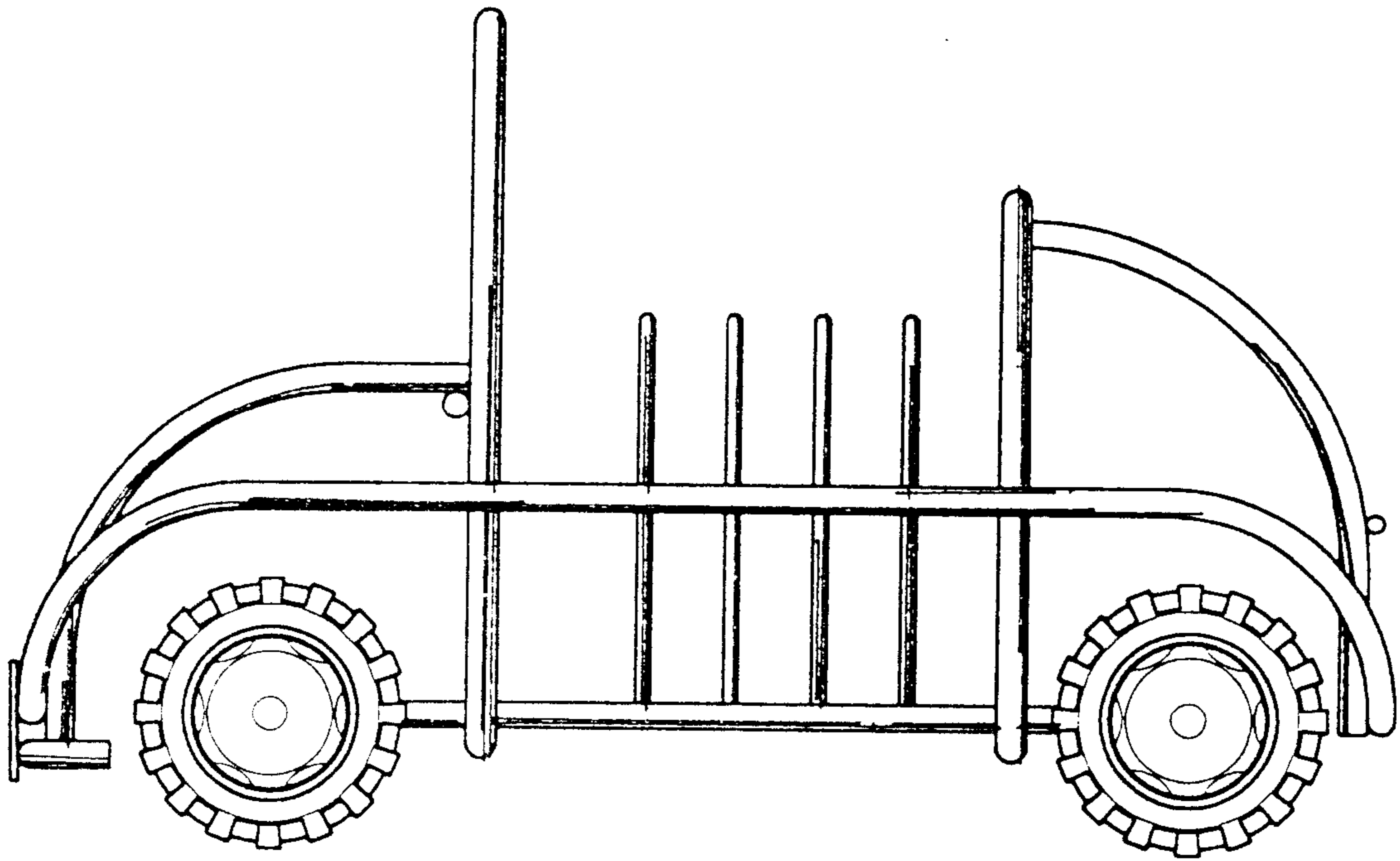


FIG. 3

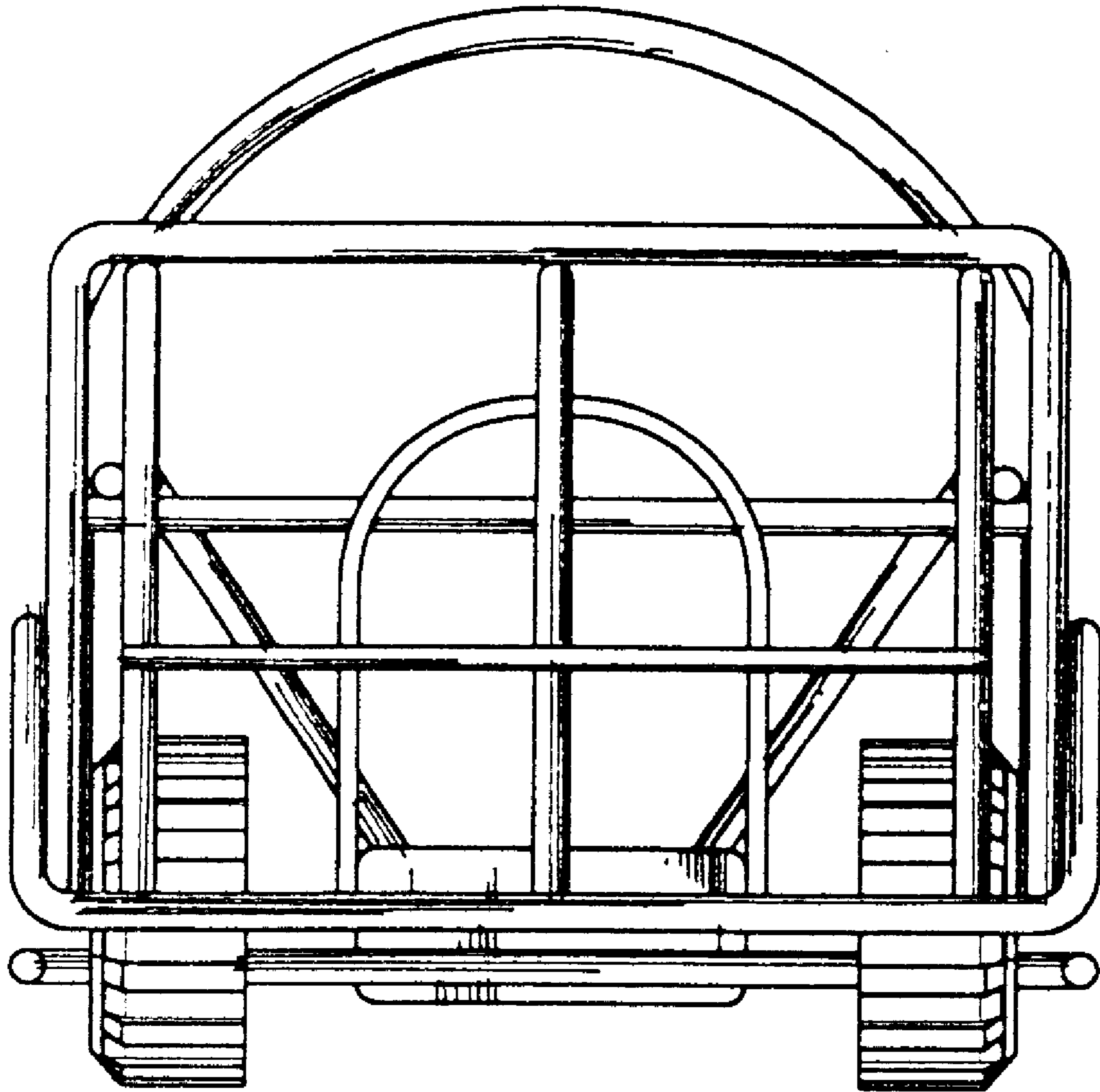


FIG. 4

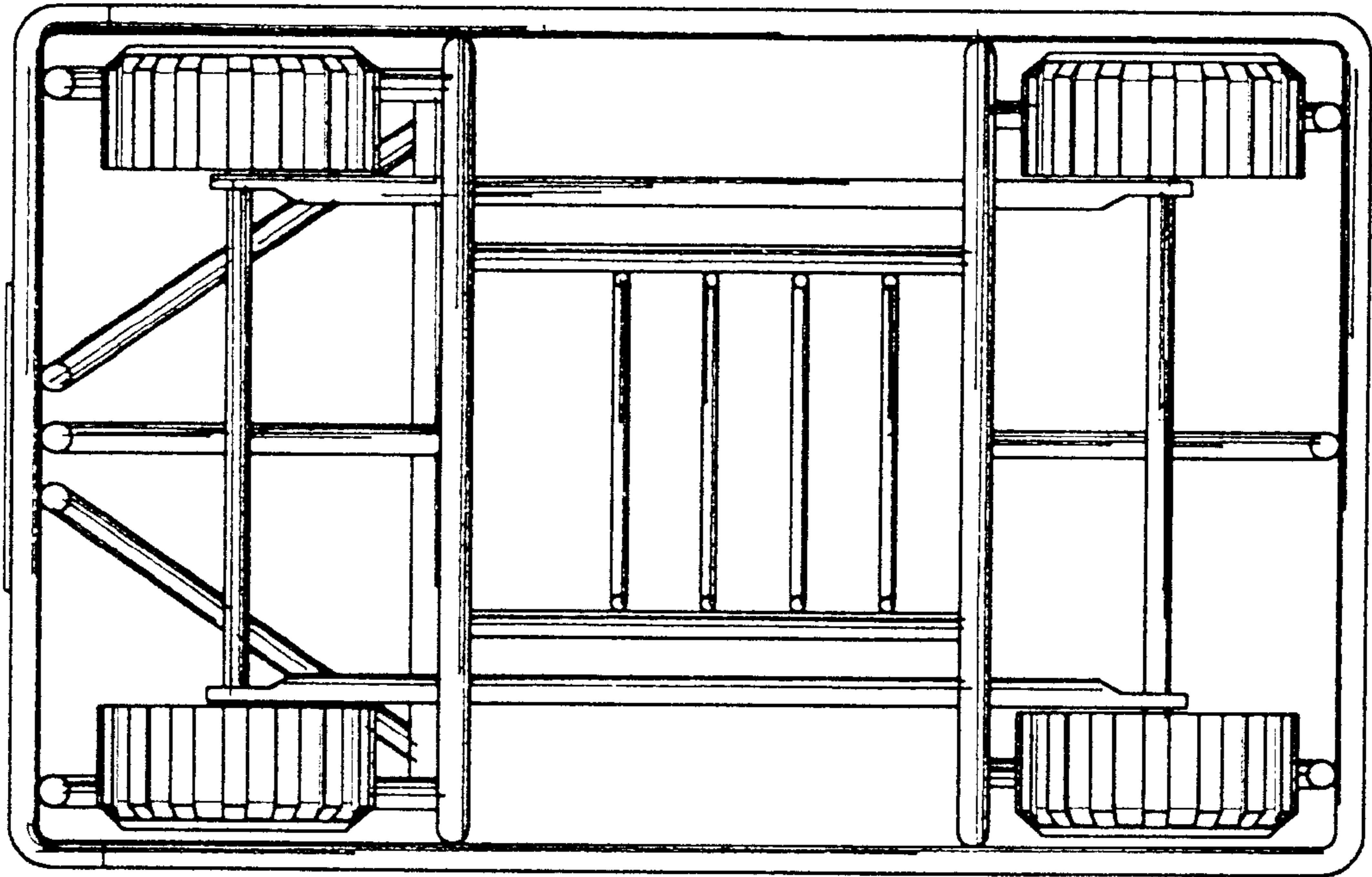


FIG. 5

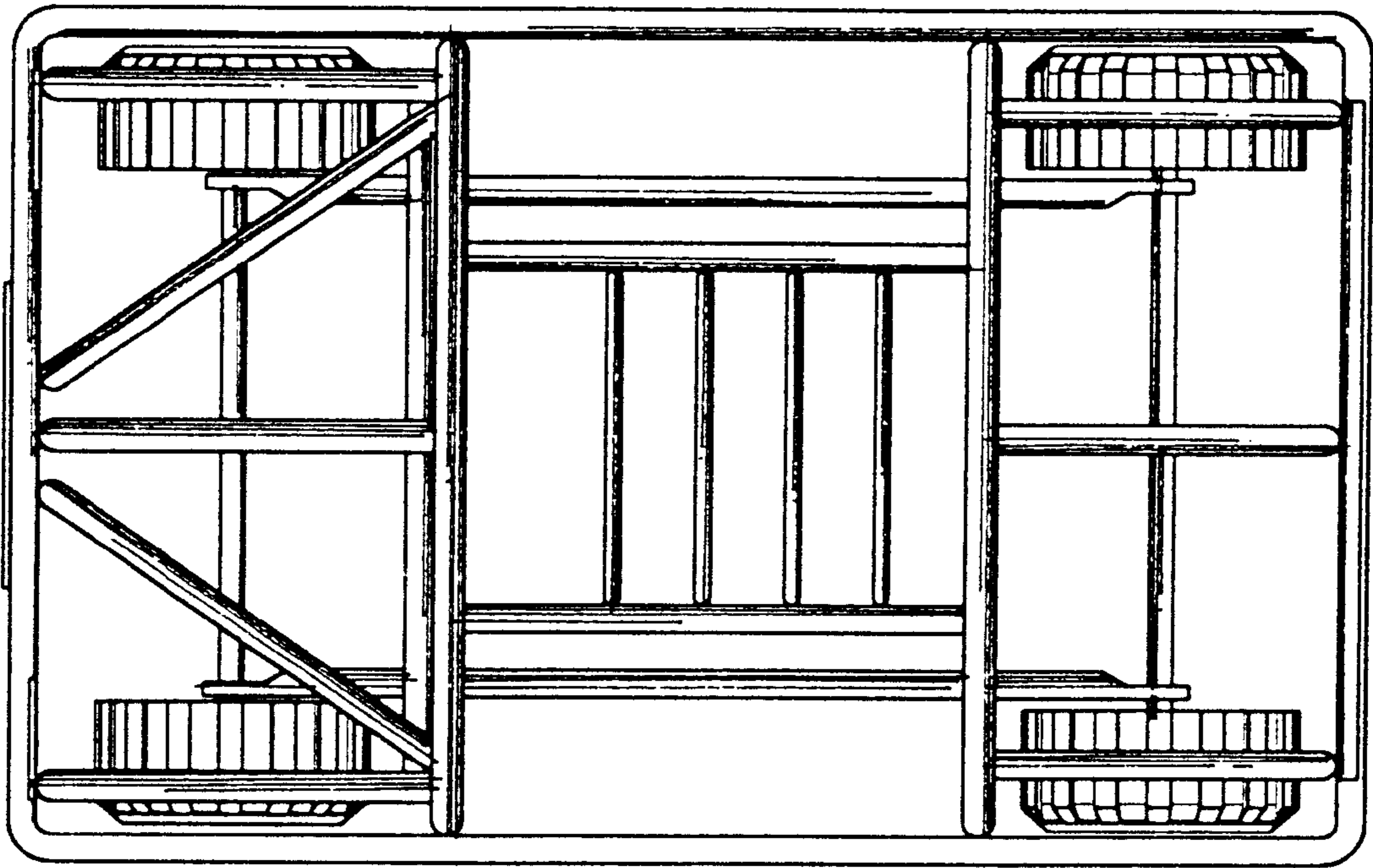


FIG. 6