



US00D452622B1

(12) **United States Design Patent**  
**Udommahuntisuk**

(10) **Patent No.:** **US D452,622 S**

(45) **Date of Patent:** **\*\* Jan. 1, 2002**

(54) **MULTIMEDIA STORAGE RACK**  
(75) Inventor: **Kunthong Udommahuntisuk**, Bangkok (TH)  
(73) Assignee: **Twoway Intertrade Co., Ltd.**, Bangkok (TH)  
(\*\*) Term: **14 Years**

D252,720 S \* 8/1979 Taylor ..... D6/450  
D256,941 S \* 9/1980 Manus ..... D21/833  
D337,453 S \* 7/1993 Mattikow ..... D6/407  
D338,573 S \* 8/1993 Mattikow ..... D6/407  
D370,948 S \* 6/1996 Bowman ..... D21/552  
D389,658 S \* 1/1998 Holt ..... D6/632  
D397,560 S \* 9/1998 Socha et al. .... D6/450  
D397,743 S \* 9/1998 Chesler ..... D21/548  
D410,258 S \* 5/1999 Lerch ..... D21/433

\* cited by examiner

*Primary Examiner*—Cathron C. Brooks

(21) Appl. No.: **29/137,092**  
(22) Filed: **Feb. 14, 2001**

(57) **CLAIM**

(30) **Foreign Application Priority Data**  
Aug. 16, 2000 (TH) ..... 059709

The ornamental design for a multimedia storage rack, as shown and described.

(51) **LOC (7) Cl.** ..... **06-04**  
(52) **U.S. Cl.** ..... **D6/450; D19/90**  
(58) **Field of Search** ..... D6/407, 629, 630, D6/467, 468, 450, 453, 474, 462, 465; 211/40, 41.1, 41.12; D19/82, 90, 97; D21/541, 548, 551, 552, 562, 827, 833

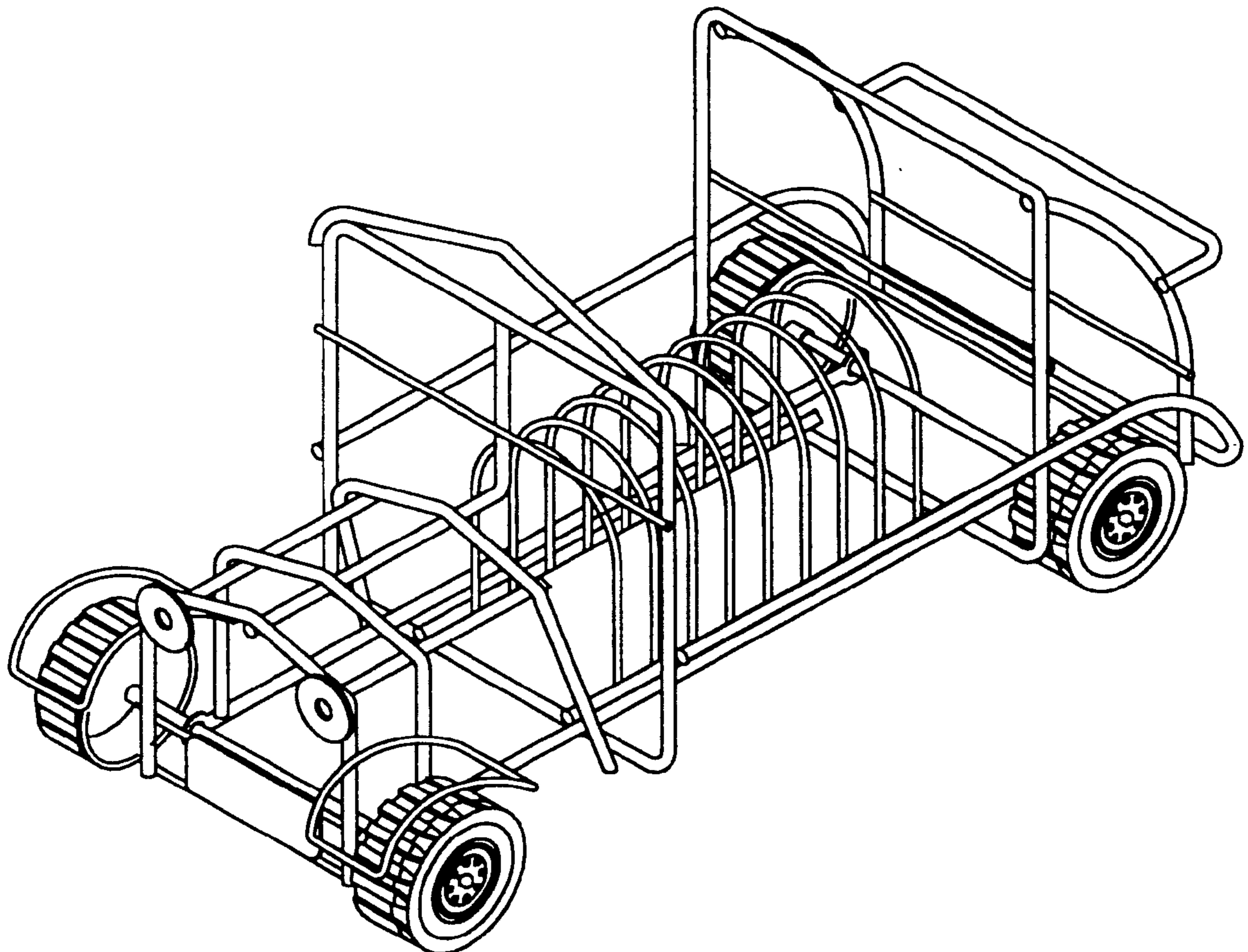
**DESCRIPTION**

(56) **References Cited**  
**U.S. PATENT DOCUMENTS**

FIG. 1 is a front, right perspective view of the multimedia storage rack showing my new design;  
FIG. 2 is a front elevational view thereof;  
FIG. 3 is a rear elevational view thereof;  
FIG. 4 is a right side view thereof, the left side view being a mirror image thereof;  
FIG. 5 is a top plan view thereof; and,  
FIG. 6 is a bottom plan view thereof.

D225,072 S \* 11/1972 Henning et al. .... D21/541  
D236,276 S \* 8/1975 Rudy ..... D21/827

**1 Claim, 6 Drawing Sheets**



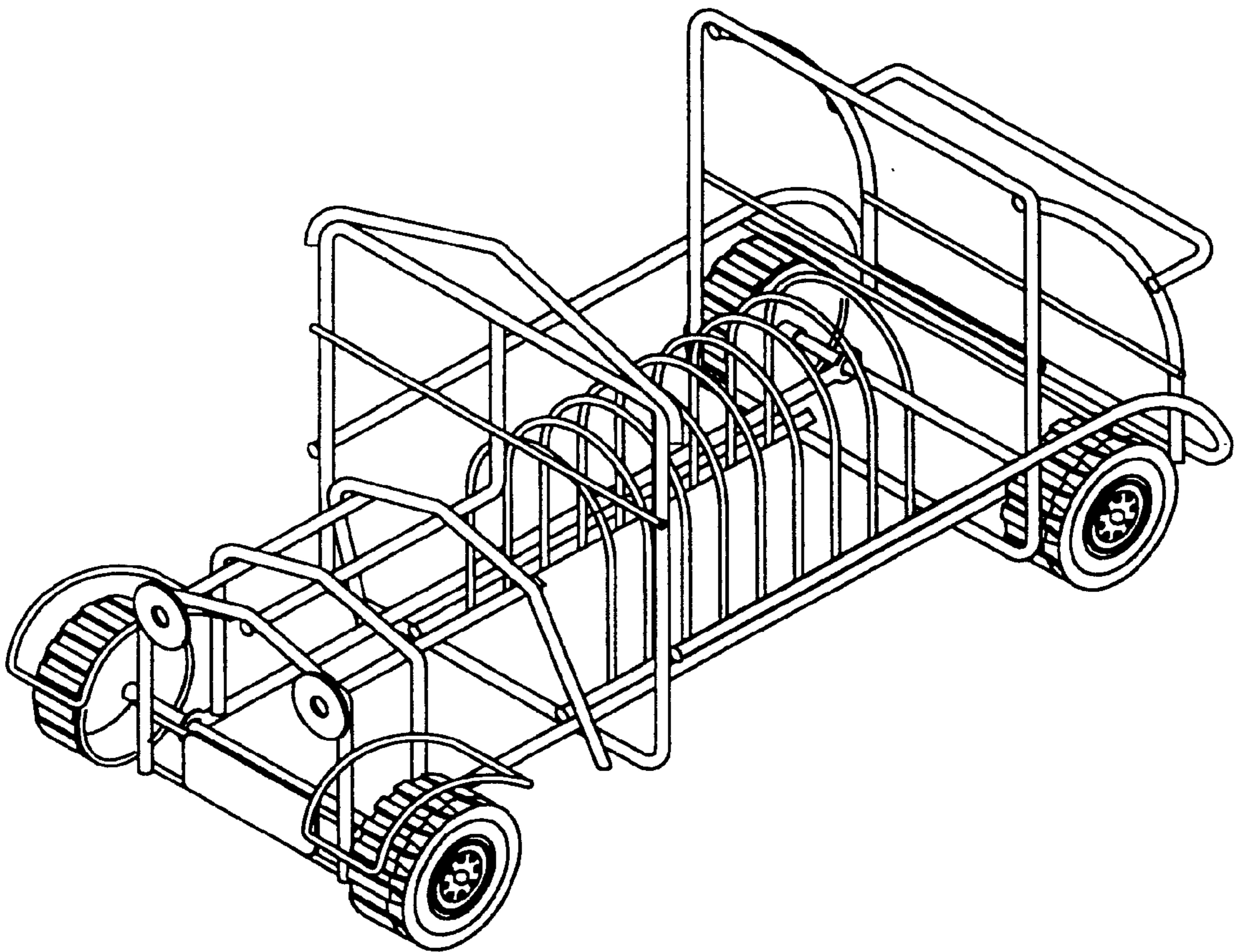


FIG. 1

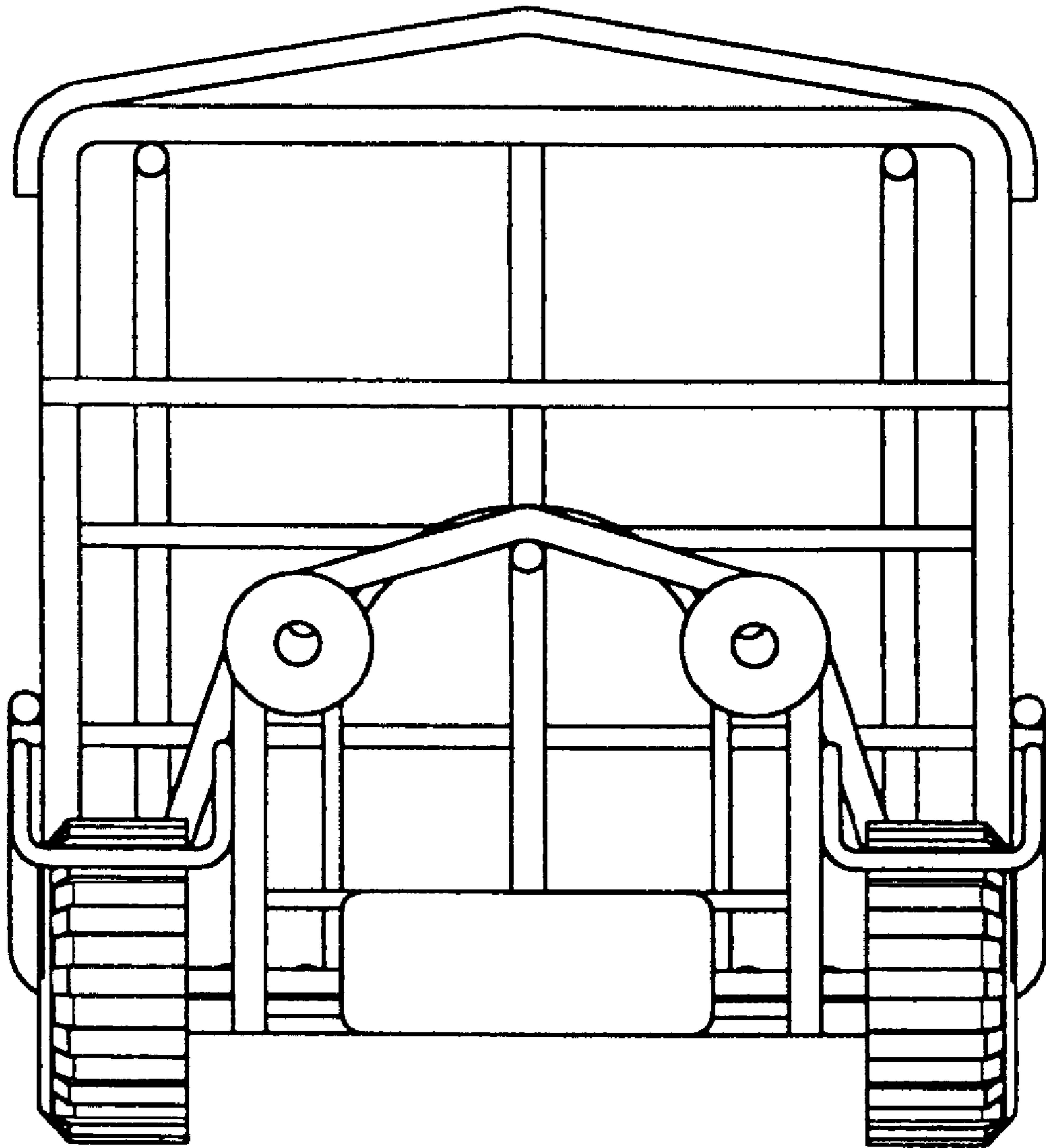


FIG. 2

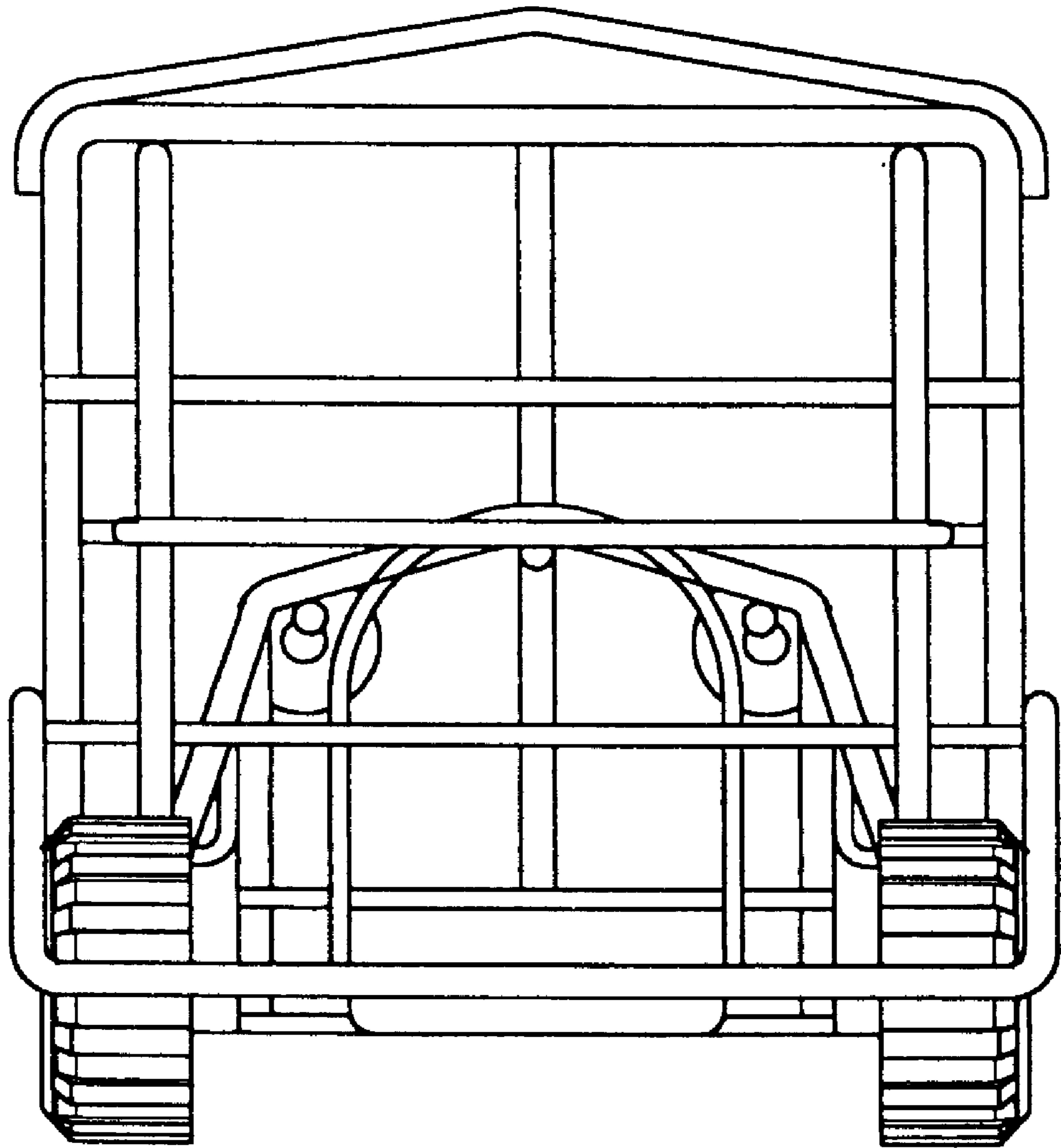


FIG. 3

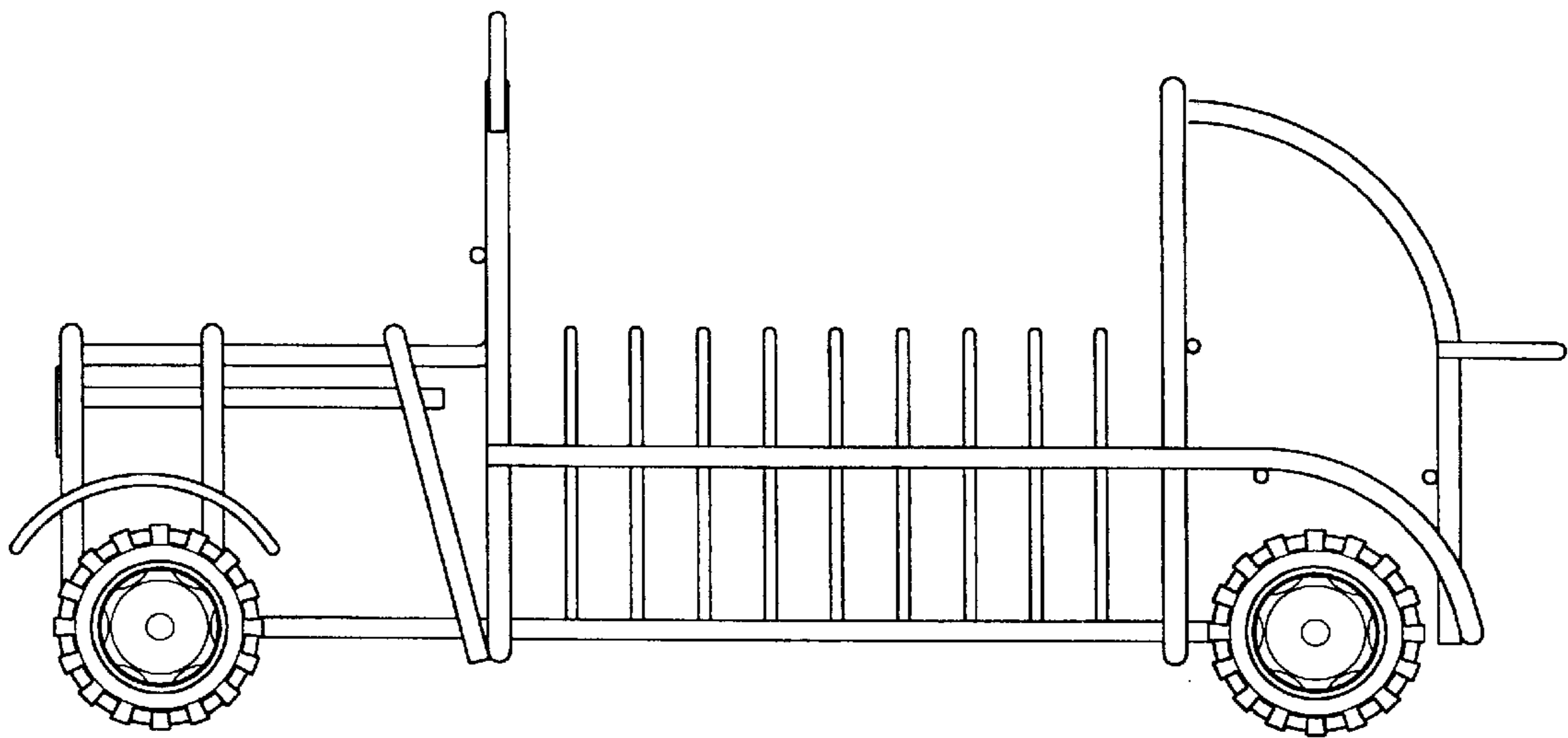


FIG. 4

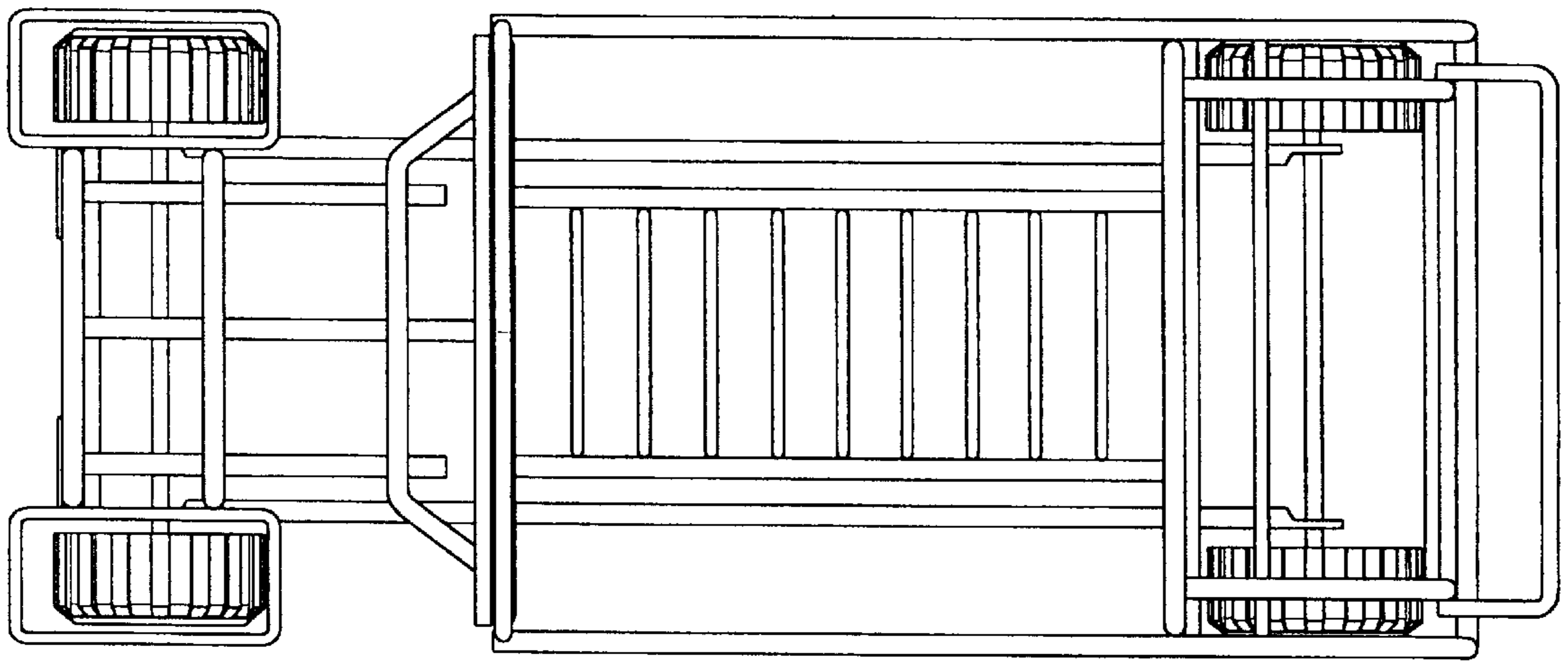


FIG. 5

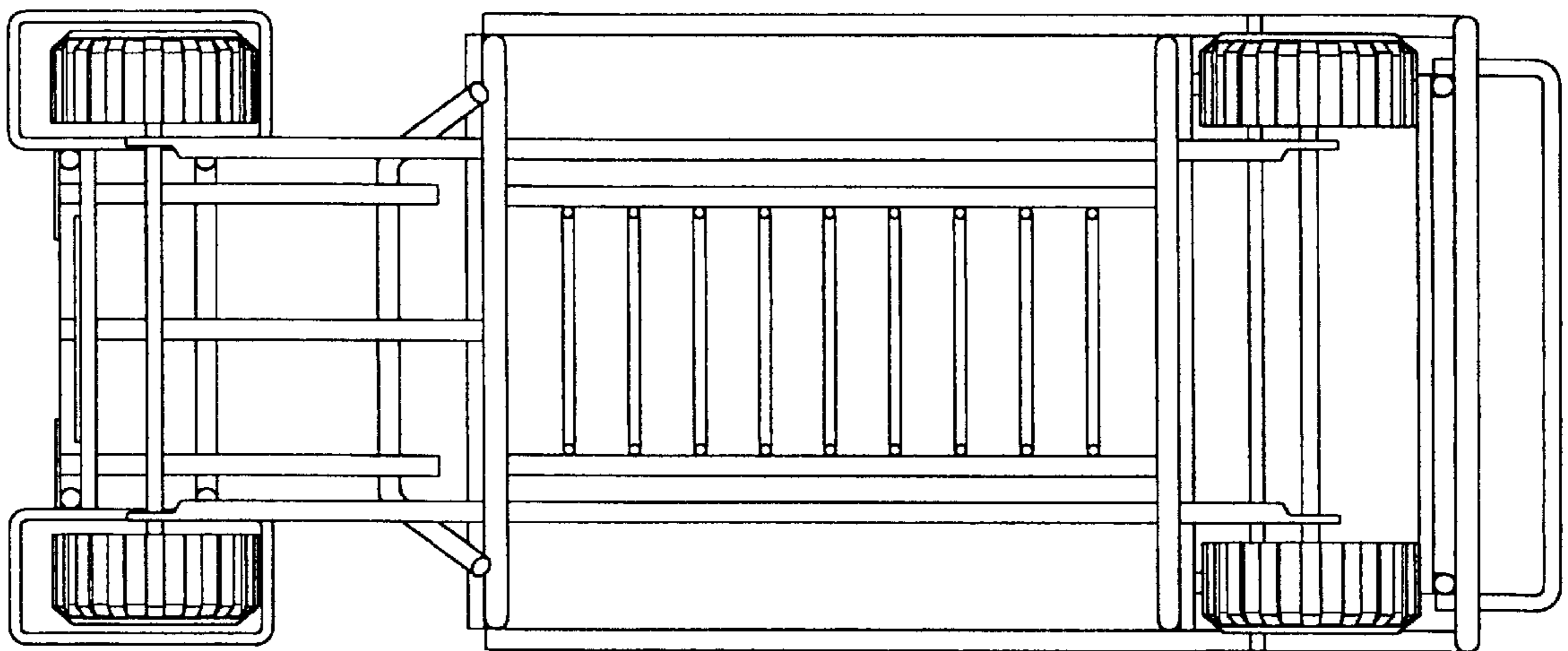


FIG. 6